

[54] REMOTE CONTROL

[76] Inventors: Henry C. Jenkins; Marilyn Jenkins, both of 2807 Player Ave.; Myrtle Williams, 2902 Coronada Pkwy., all of Fayetteville, N.C. 28303

[**] Term: 14 Years

[21] Appl. No.: 857,813

[22] Filed: Apr. 28, 1986

[52] U.S. Cl. D14/218

[58] Field of Search D14/1, 2, 10, 26, 68, D14/77, 84, 85, 95, 99; 358/194.1; 455/151, 352-355, 603; D13/32, 99, 12, 35, 38, 40, 41

[56] References Cited

U.S. PATENT DOCUMENTS

- D. 185,741 7/1959 De Jager D14/85
- D. 211,352 6/1968 Bornschlegel D14/85
- D. 217,620 5/1970 Dreyfuss D14/85

- D. 263,466 3/1982 Hiraki D14/85
- D. 266,416 10/1982 Hiraki D14/85 X
- D. 275,753 10/1984 Mahan D14/68 X
- D. 275,754 10/1984 Matsuda D14/85
- 3,906,369 9/1975 Pitman D14/85
- 4,712,105 12/1987 Köhler 358/194.1 X
- 4,755,883 7/1988 Vehira 358/194.1 X

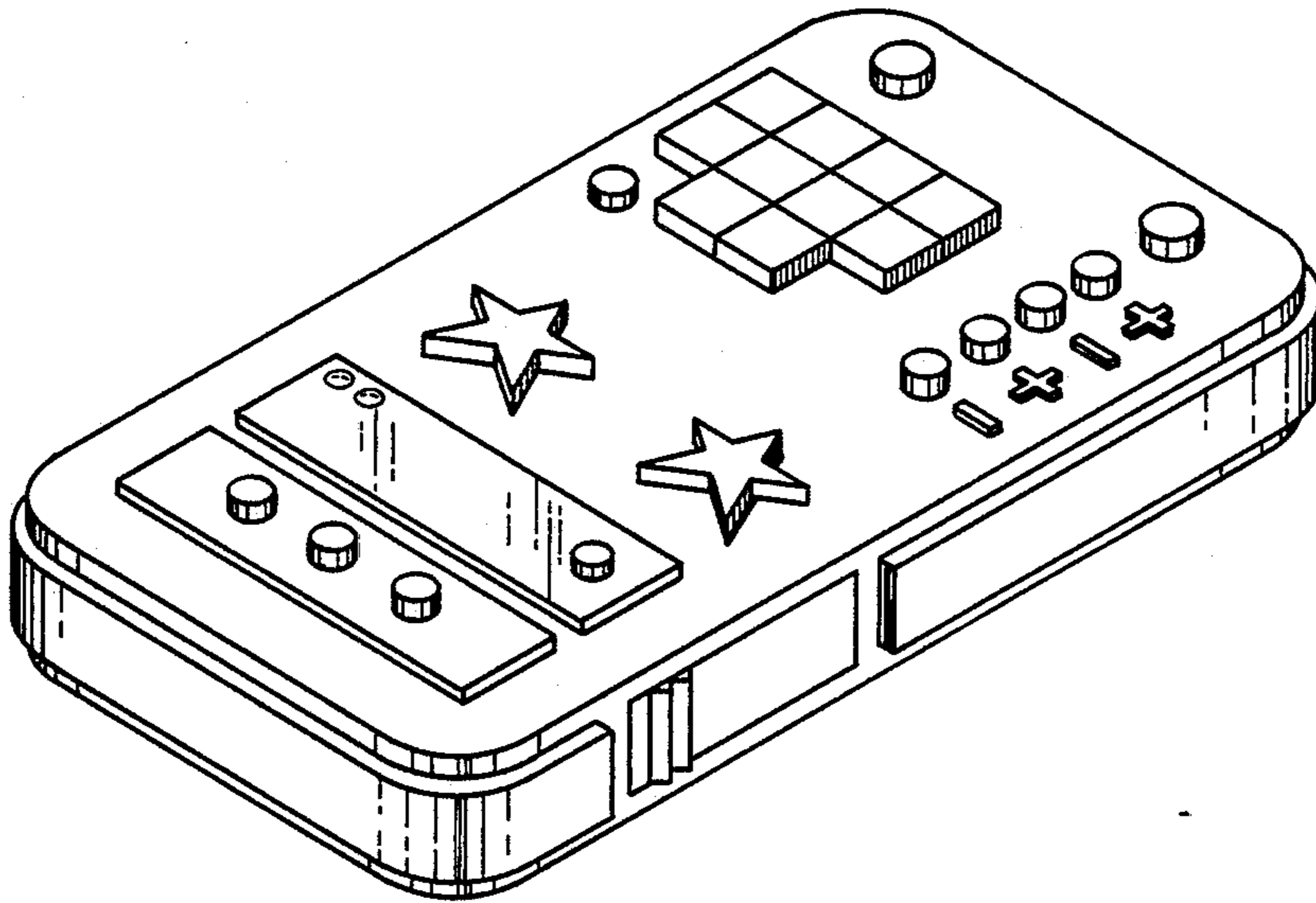
Primary Examiner—Bernard Ansher
Assistant Examiner—Theodore M. Shooman
Attorney, Agent, or Firm—Terry M. Gernstein

[57] CLAIM

The ornamental design for a remote control, as shown.

DESCRIPTION

FIG. 1 is a top, front and left side isometric view of a remote control showing our new design; FIG. 2 is a rear elevational view thereof; FIG. 3 is a bottom view thereof; FIG. 4 is a left side elevational view thereof; and FIG. 5 is a right side elevational view thereof.



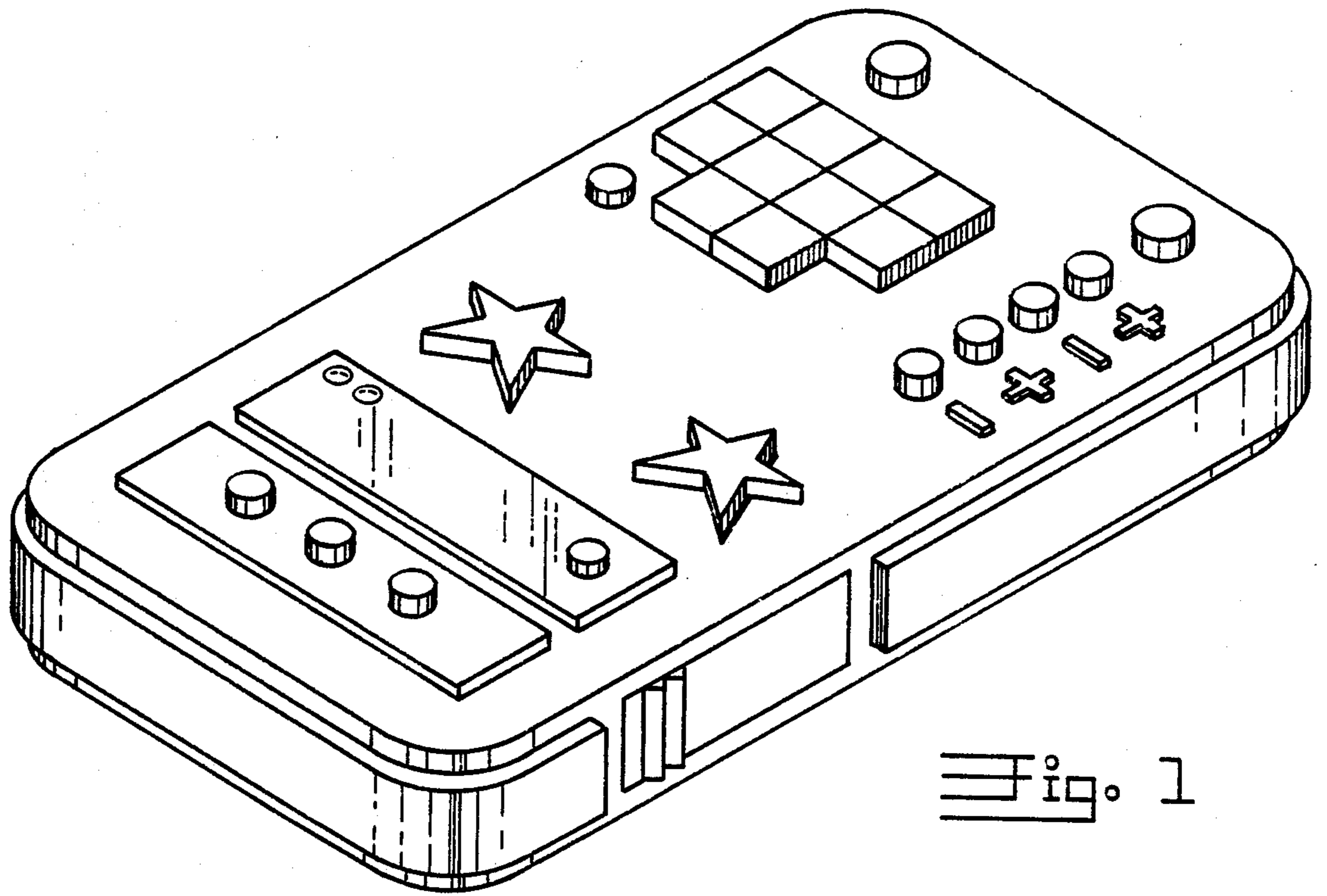


Fig. 1

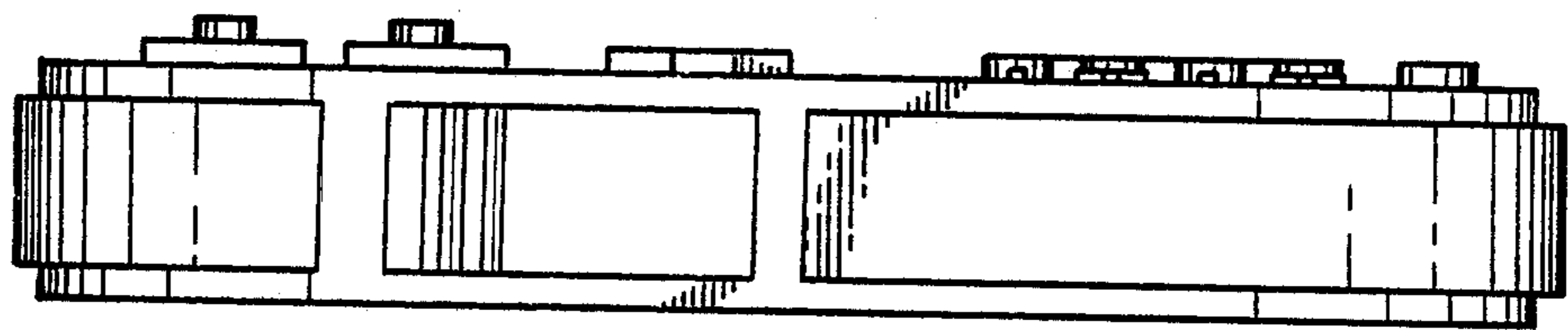


Fig. 2

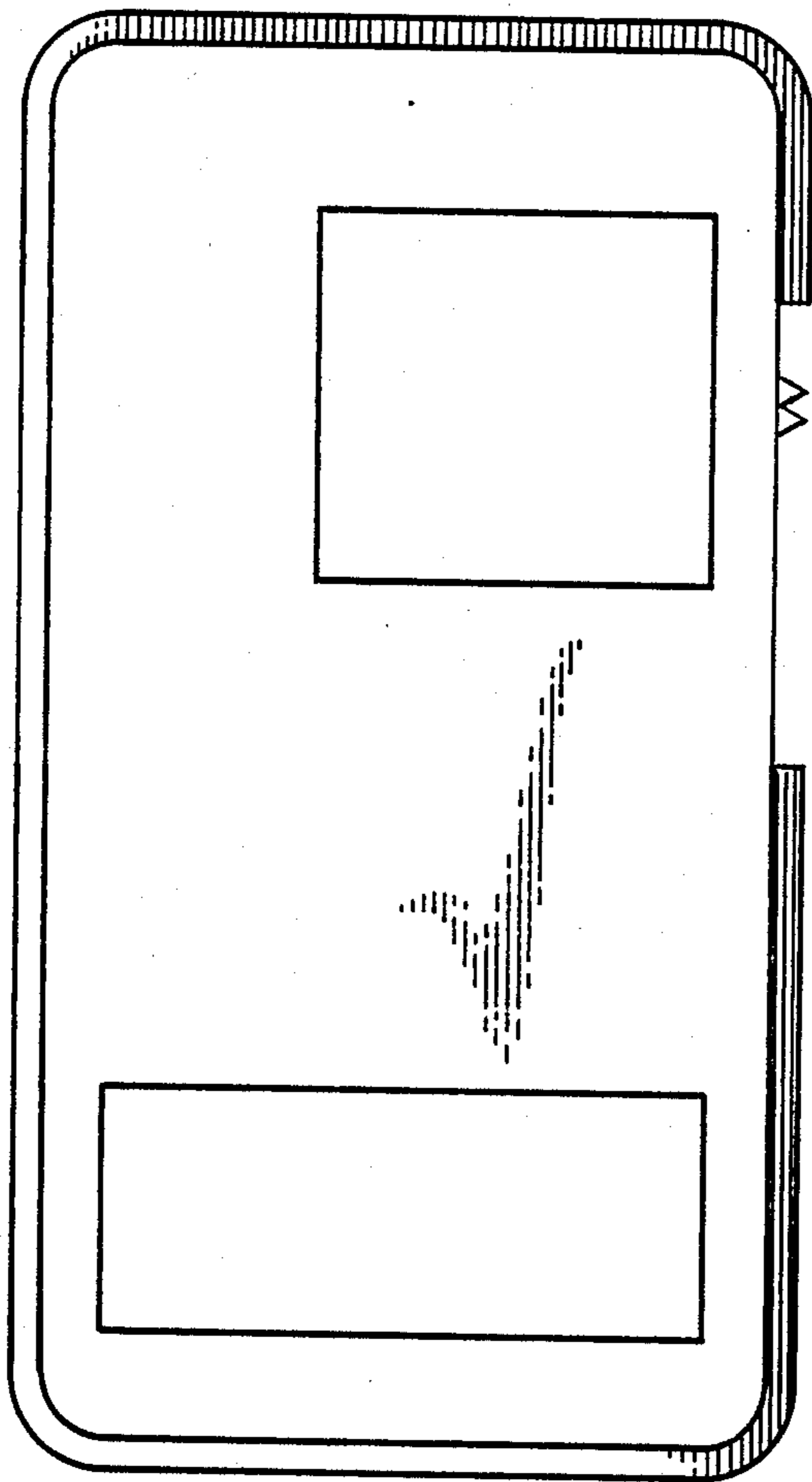


Fig. 3

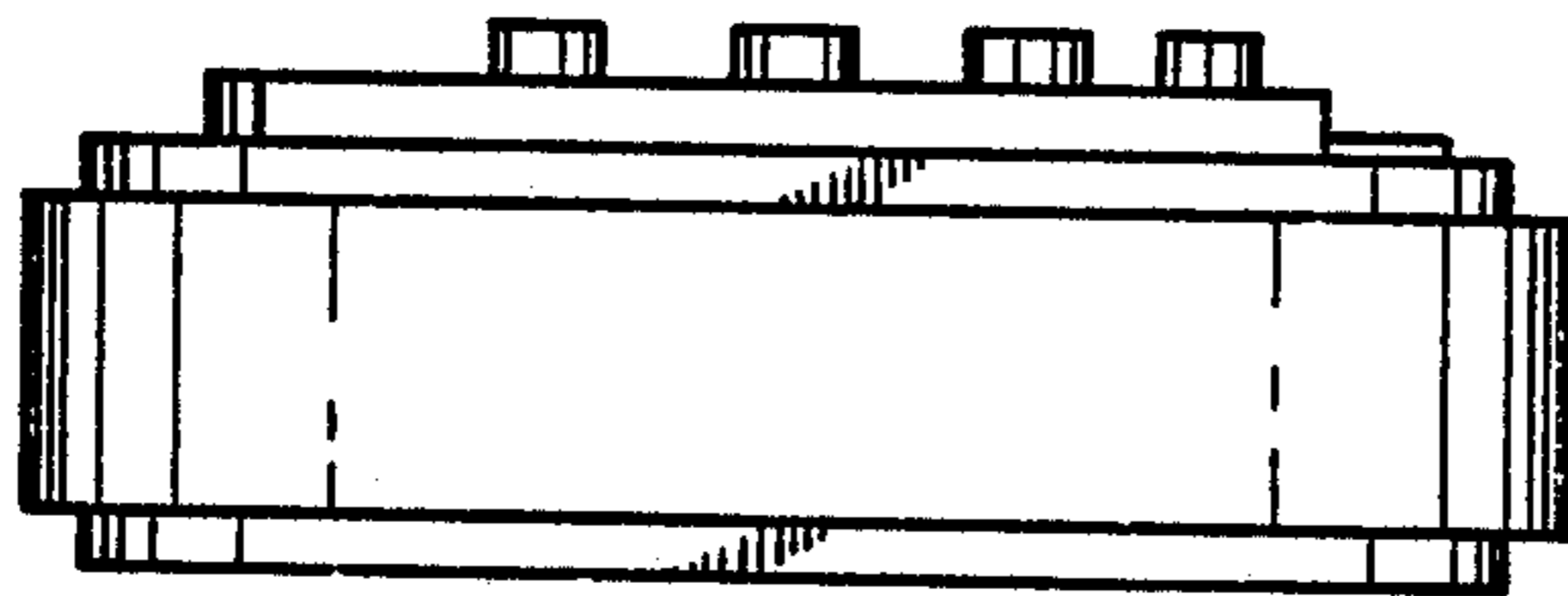


Fig. 4

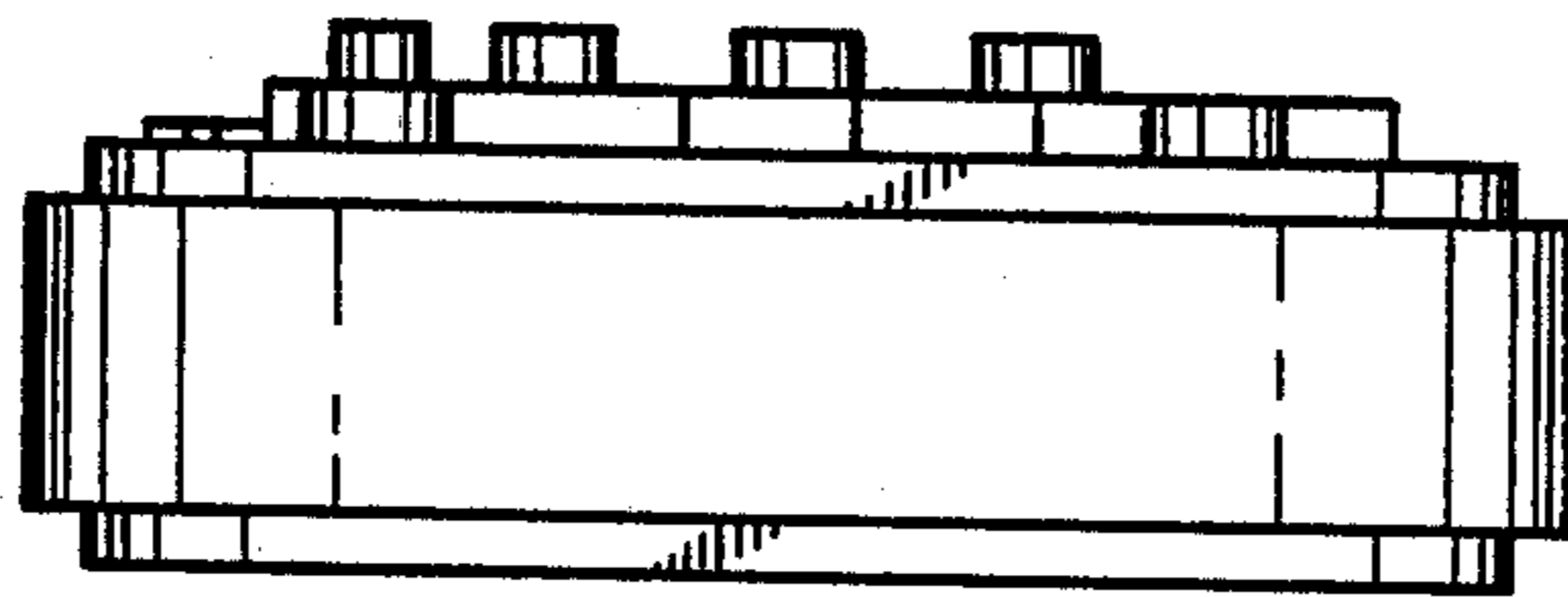


Fig. 5