

[54] HOUSING FOR A PORTABLE HANDSET TELEPHONE OR SIMILAR ARTICLE

[75] Inventors: Leonid Soren, Lincolnwood; Albert L. Nagele, Wilmette, both of Ill.

[73] Assignee: Motorola, Inc., Schaumburg, Ill.

[**] Term: 14 Years

[21] Appl. No.: 97,461

[22] Filed: Sep. 11, 1987

[52] U.S. Cl. D14/138; D14/148

[58] Field of Search D14/53, 63, 64; 379/433, 434, 440, 419, 435, 436

[56] References Cited

U.S. PATENT DOCUMENTS

D. 200,158	1/1965	Zanuso	D14/53
D. 207,490	4/1967	Zanuso et al.	D14/53
D. 254,435	3/1980	Ferron	D14/53
D. 275,950	10/1984	Marshall	D14/53
D. 276,520	11/1984	Breslow et al.	D14/53
D. 277,574	2/1985	Lee	D14/53
D. 278,815	5/1985	Williams	D14/53
D. 279,004	5/1985	Ryan	D14/63
D. 279,005	5/1985	Genaro et al.	D14/63
D. 280,986	10/1985	Kao	D14/53
D. 281,242	11/1985	Hova	D14/53
D. 281,496	11/1985	Chen	D14/63
D. 281,686	12/1985	Rivette et al.	D14/53
D. 281,687	12/1985	Sakow	D14/53
D. 282,465	2/1986	Hurley et al.	D14/53
D. 282,544	2/1986	Wu	D14/53
D. 282,738	2/1986	Nichols	D14/53
D. 282,743	2/1986	Huang	D14/53
D. 283,126	3/1986	Marshall	D14/53
D. 284,468	7/1986	Matras	D14/53
D. 284,759	7/1986	Nagele et al.	D14/53
D. 284,761	7/1986	Ryan	D14/53

D. 286,778	11/1986	Beaumont	D14/53
D. 291,990	9/1987	Lee	D14/53
D. 297,734	9/1988	Soren et al.	D14/64
D. 297,735	9/1988	Soren et al.	D14/64
D. 297,736	9/1988	Krolopp et al.	D14/64
3,476,886	11/1969	Ferrari et al.	179/179
4,018,998	4/1977	Wegner	D14/64 UX
4,471,493	9/1984	Schober	455/90

OTHER PUBLICATIONS

Realistic Duofone Owners Manual ET-415, cat. No. 43-555, Cordless Electric Telephone.

Primary Examiner—Horace B. Fay, Jr.

Attorney, Agent, or Firm—Raymond A. Janski; Rolland R. Hackbart

[57] CLAIM

The ornamental design for a housing for a portable handset telephone or similar article, as shown and described.

DESCRIPTION

FIG. 1 is a front, top and right side perspective view of a housing for a portable handset telephone or similar article;

FIG. 2 is a left side elevational view thereof;

FIG. 3 is a rear elevational view thereof;

FIG. 4 is a bottom plan view thereof; and

FIG. 5 is a front, top and right side perspective view of a second embodiment thereof, the only differences being (1) that the inner contour of the receiver earpiece is shown in broken lines, (2) that small circular apertures are shown in the earpiece, and (3) the diminished shaping of the mouthpiece.

The broken line showing of potential pushbutton keys in FIGS. 1 and 5, and of potential receiver apertures in FIG. 5 is for illustrative purposes only and forms no part of the claimed design.

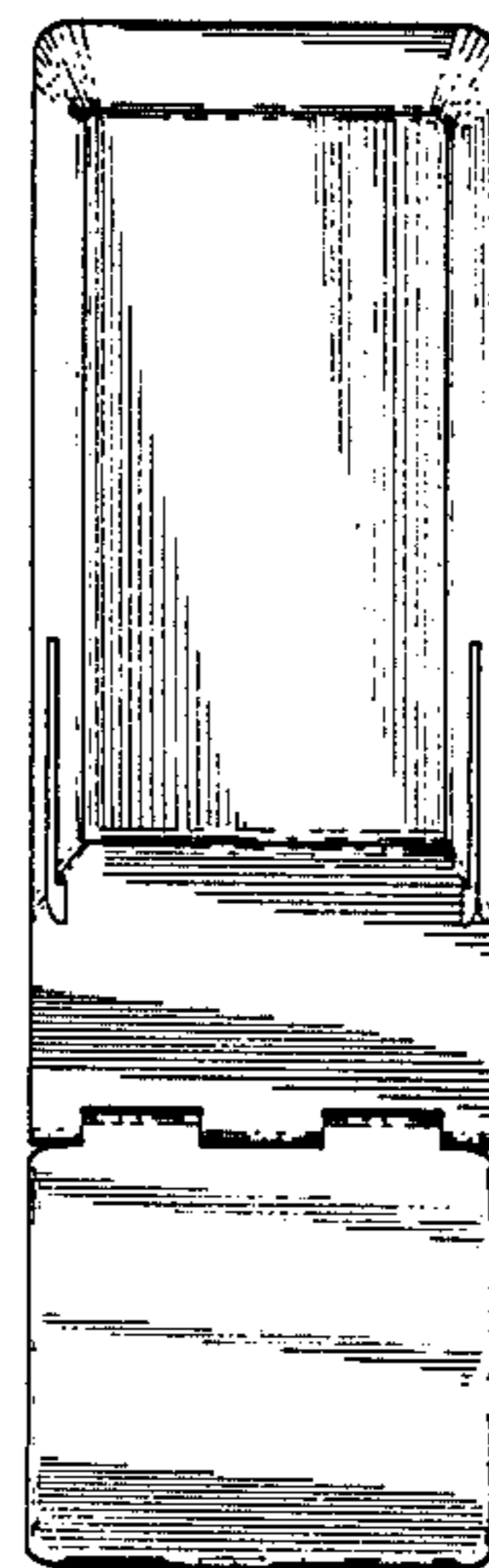
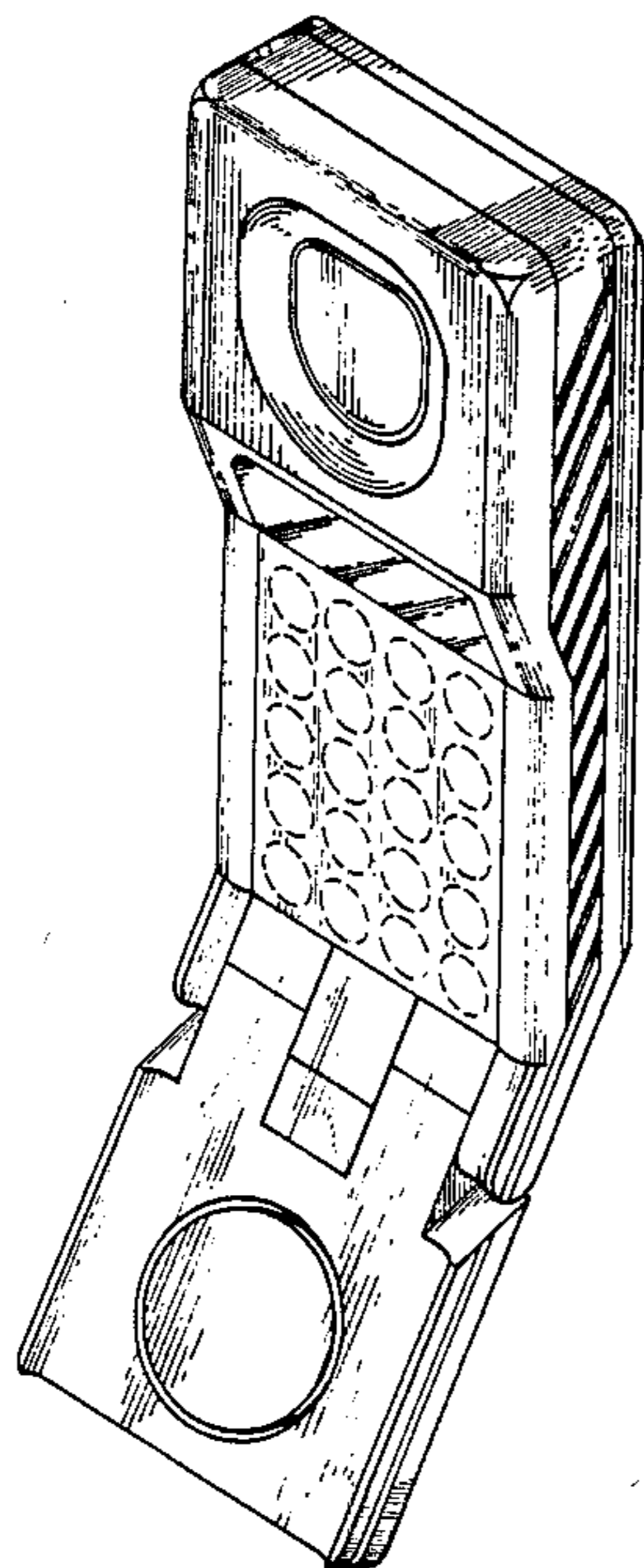
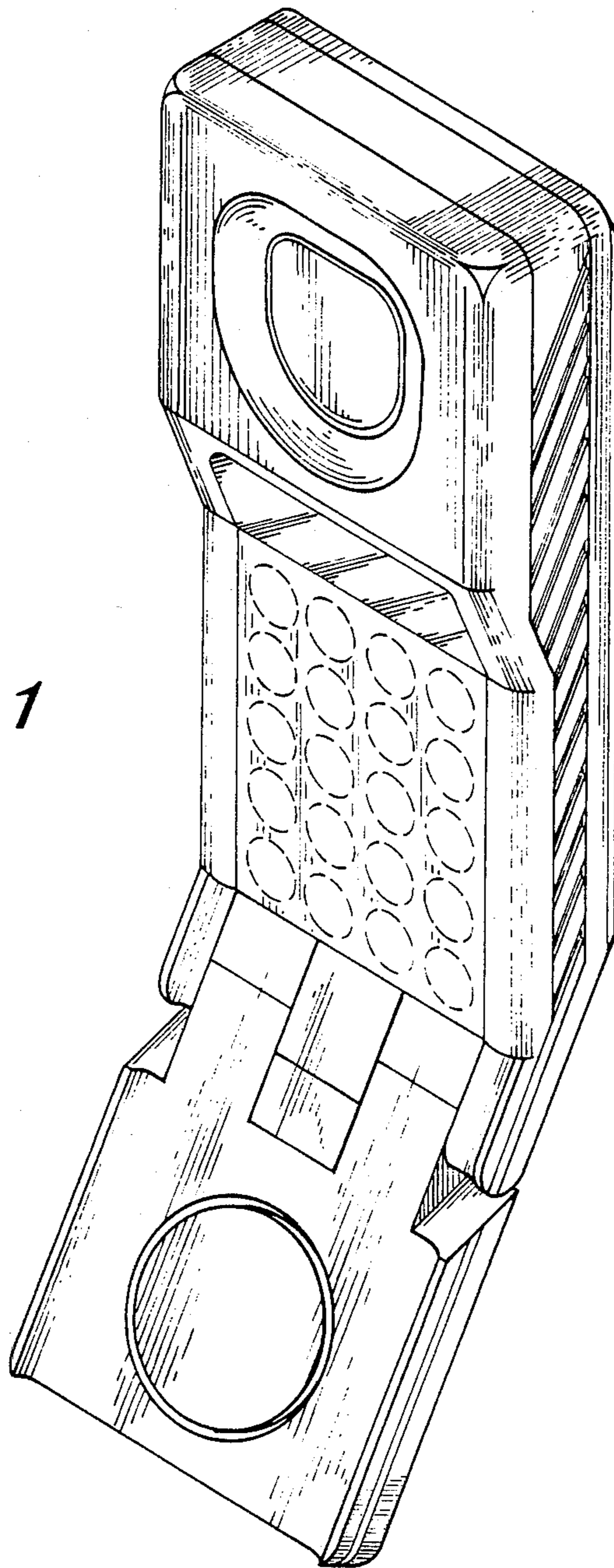


FIG. 1



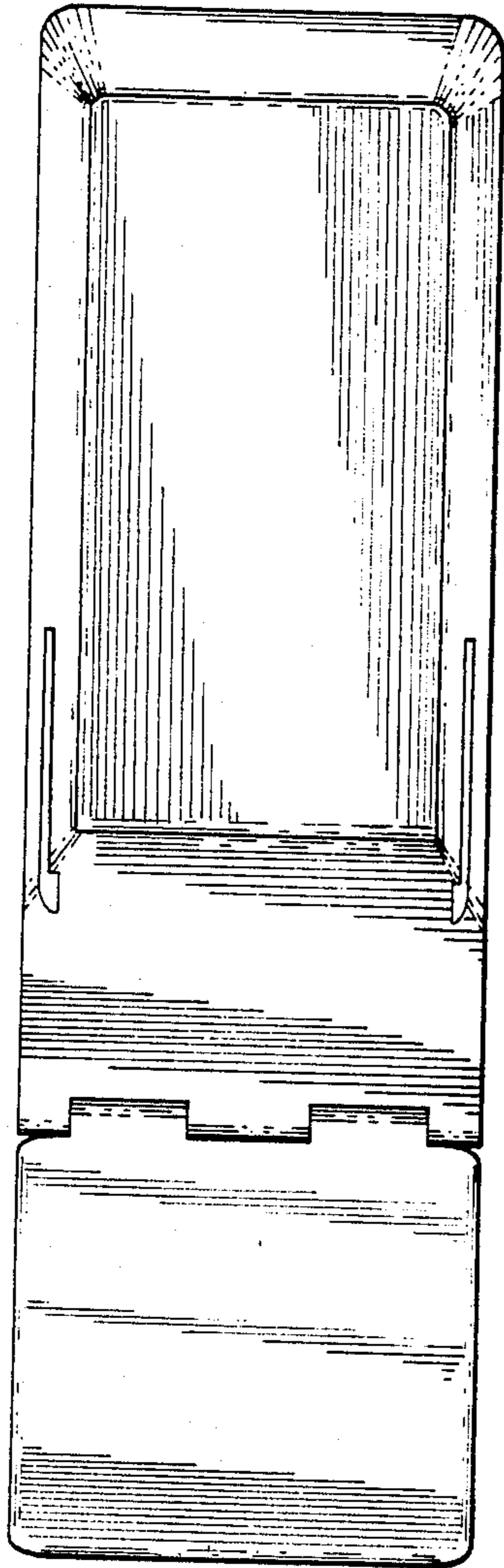


FIG. 3

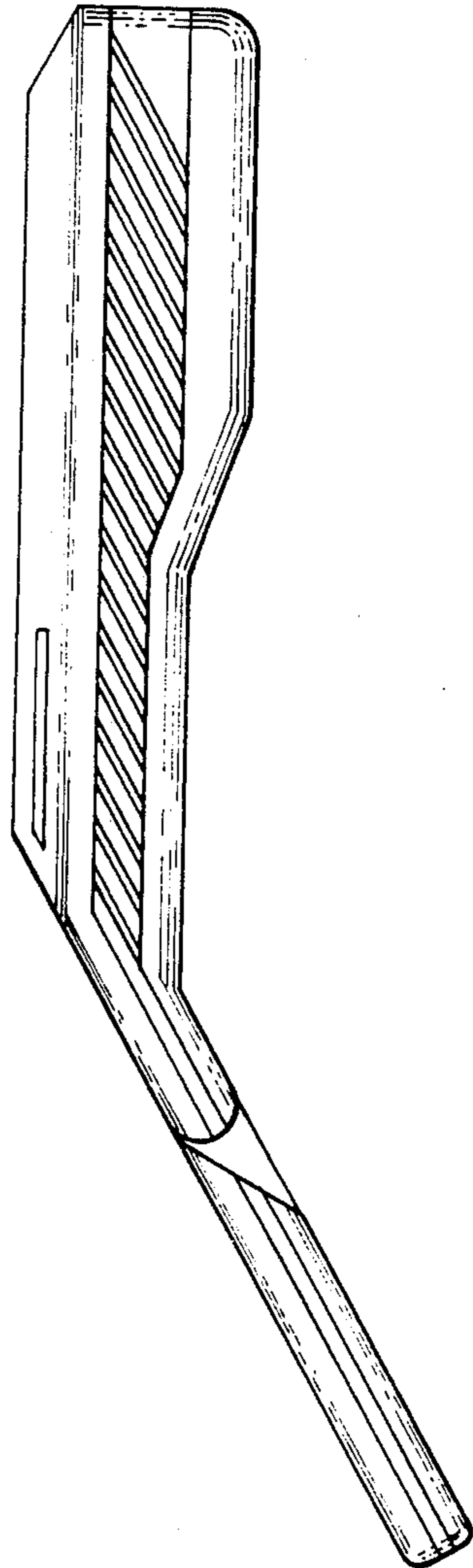


FIG. 2

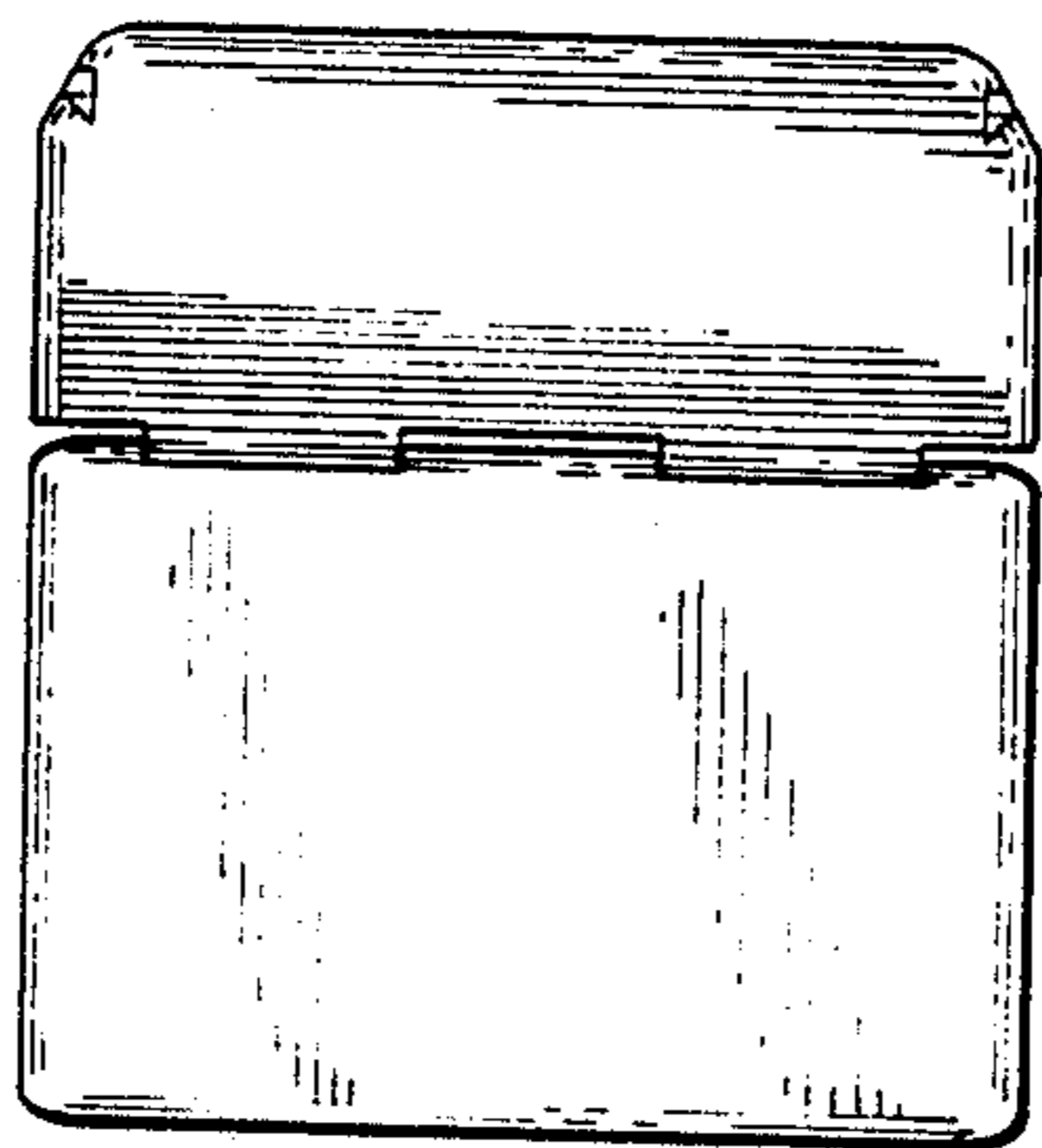


FIG. 4

FIG. 5

