

- [54] **ELECTRICAL CONNECTOR FOR A VEHICLE LIGHTING SYSTEM**  
[75] **Inventor: Robert S. Orbanic, Warren, Pa.**  
[73] **Assignee: GTE Products Corporation, Stamford, Conn.**  
[\*\*] **Term: 14 Years**  
[21] **Appl. No.: 924,715**  
[22] **Filed: Oct. 30, 1986**  
[52] **U.S. Cl. .... D13/24; D13/28**  
[58] **Field of Search .... D13/11, 12, 18-31, D13/40, 35; 439/692, 693, 694, 695, 677, 404, 680, 577, 354, 270, 63**

4,718,853 1/1988 Orbanic ..... 439/35

**OTHER PUBLICATIONS**

Appliance-Mar. 1979, p. 29, Miller ad. for Cordsets/-middle Cord & Plug.

*Primary Examiner*—Susan J. Lucas  
*Assistant Examiner*—Clare E. Heflin  
*Attorney, Agent, or Firm*—William H. McNeill

[57] **CLAIM**

The ornamental design for an electrical connector for a vehicle lighting system, as shown.

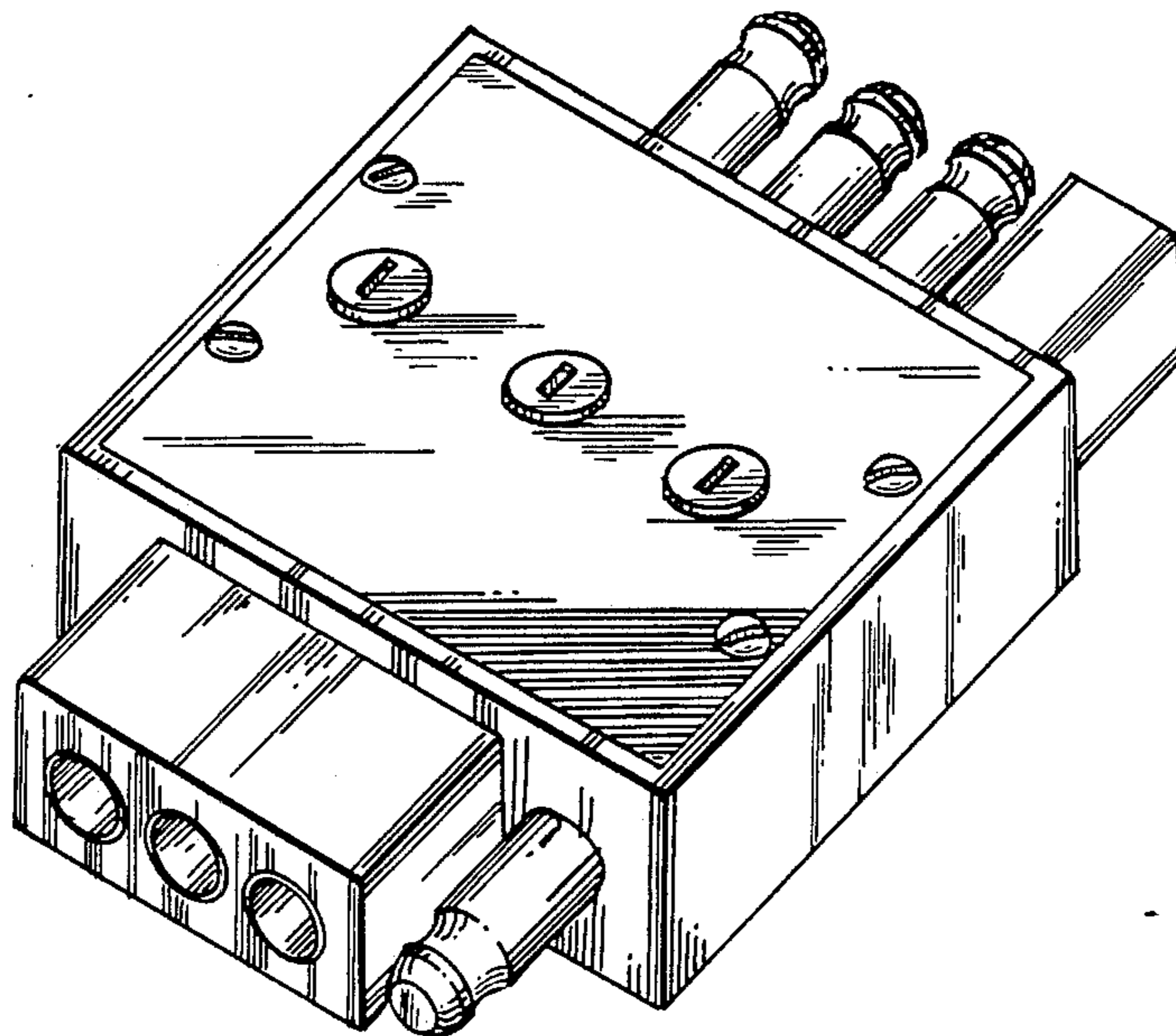
**DESCRIPTION**

FIG. 1 is a perspective view of an electrical connector for a vehicle lighting system showing my new design; FIG. 2 is a top, plan view thereof; FIG. 3 is a front elevational view thereof; FIG. 4 is a side elevational view thereof; FIG. 5 is a rear elevational view thereof; FIG. 6 is an opposite side elevational view thereof; FIG. 7 is a bottom plan view thereof.

[56] **References Cited**

**U.S. PATENT DOCUMENTS**

2,696,549	12/1954	Sturtevant .....	439/577
3,985,415	10/1976	Wolpert et al. ....	439/270
4,008,940	2/1977	Foley .....	439/354
4,057,310	11/1977	Young .....	439/35



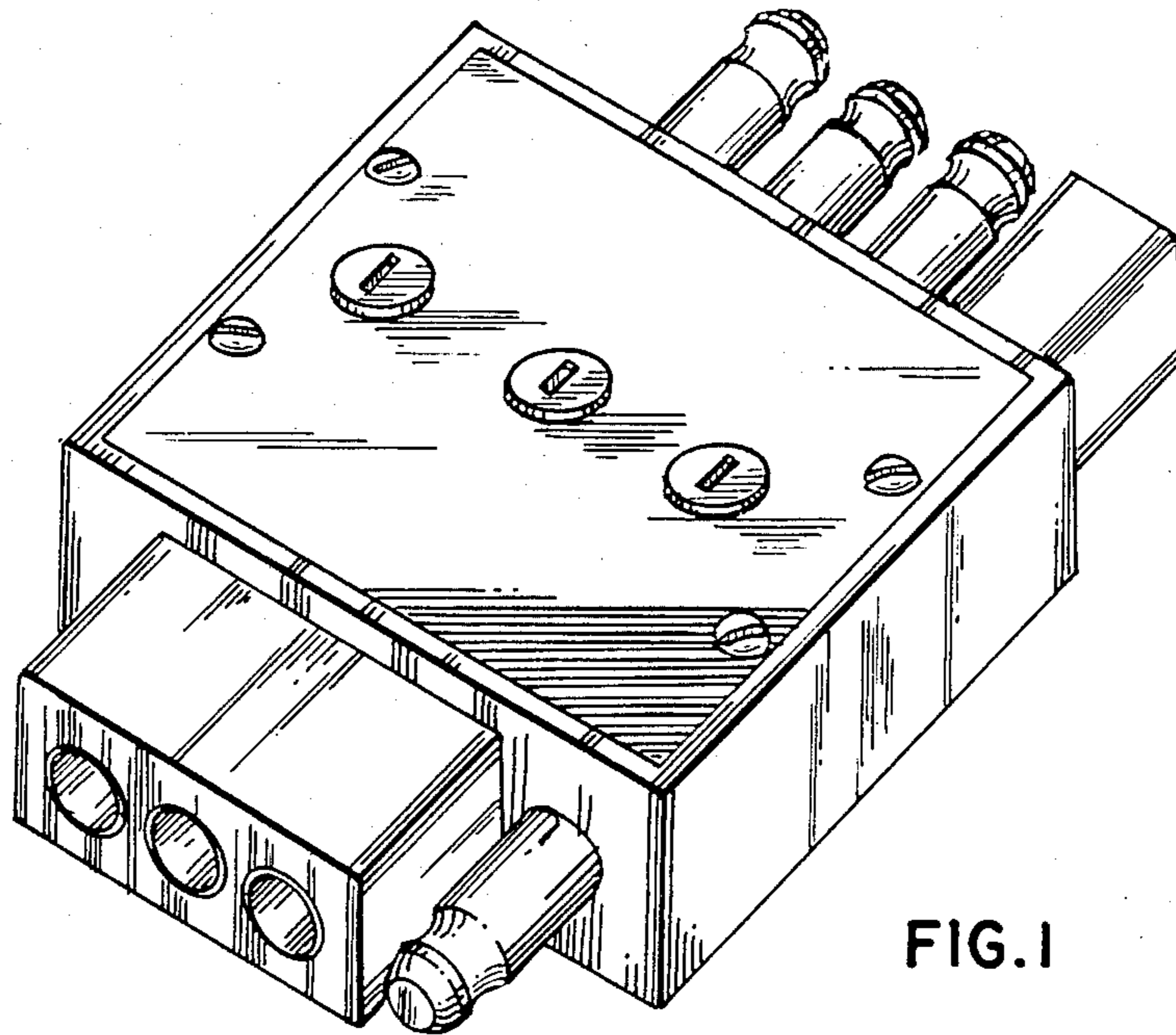


FIG. 1

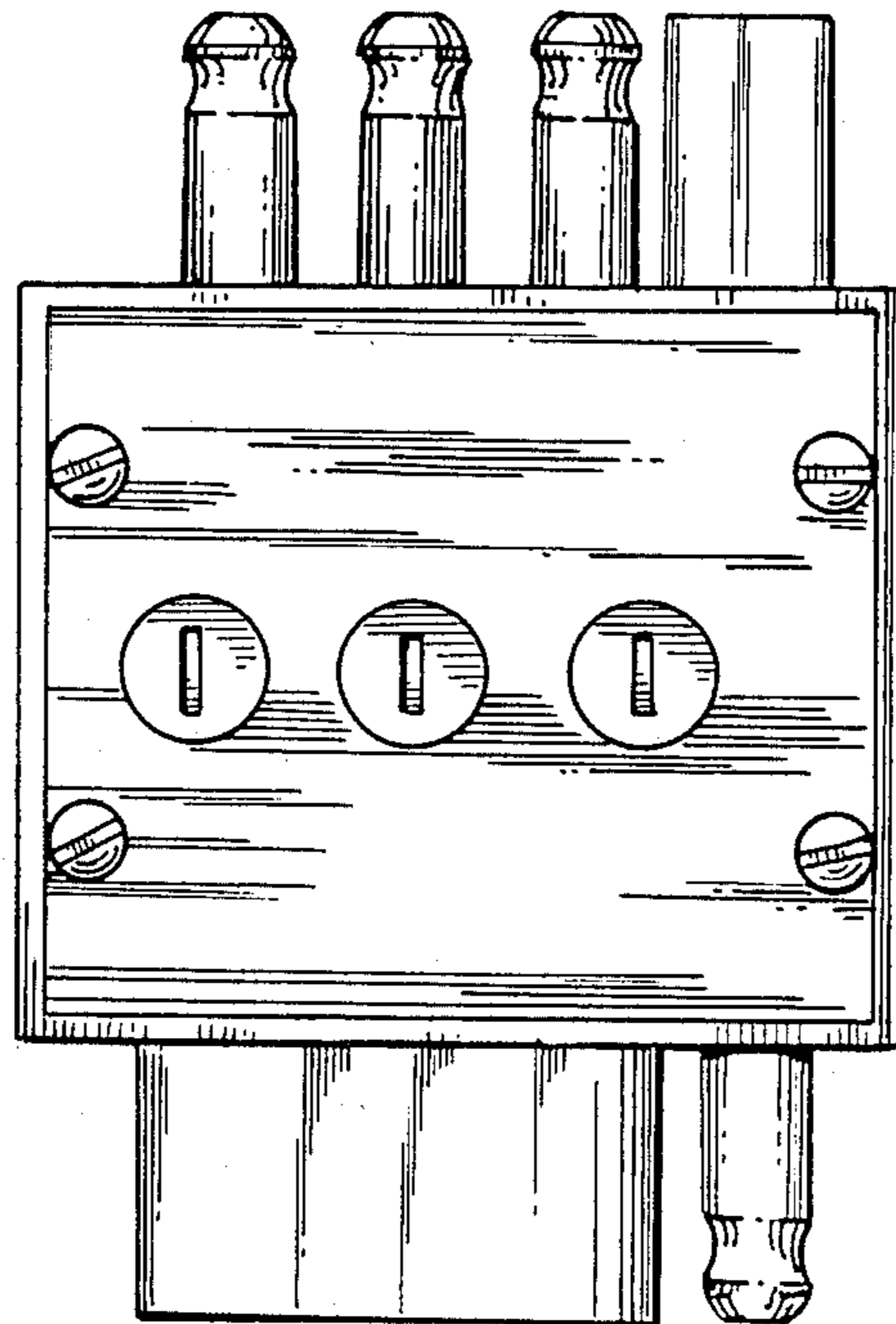


FIG. 2

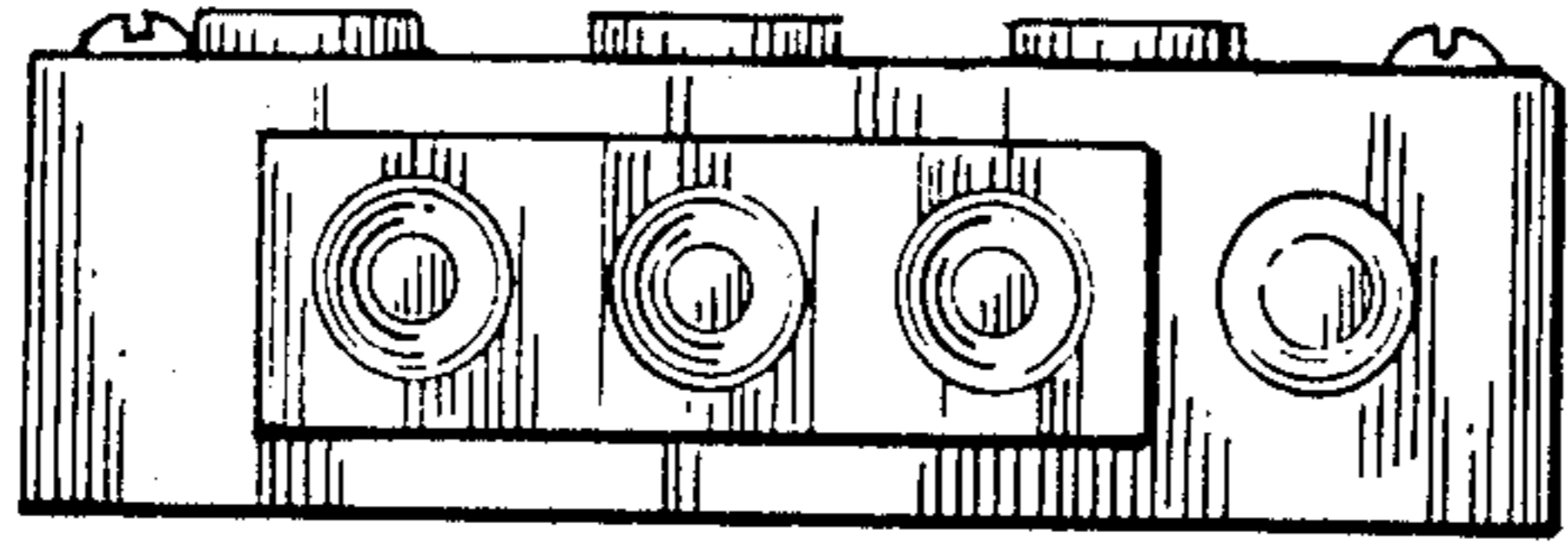


FIG. 3

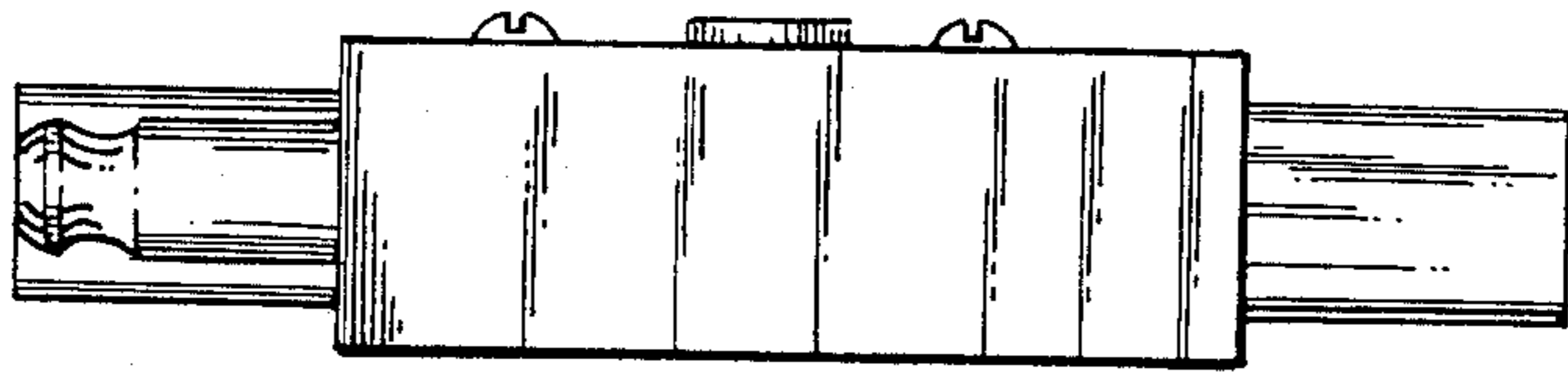


FIG. 4

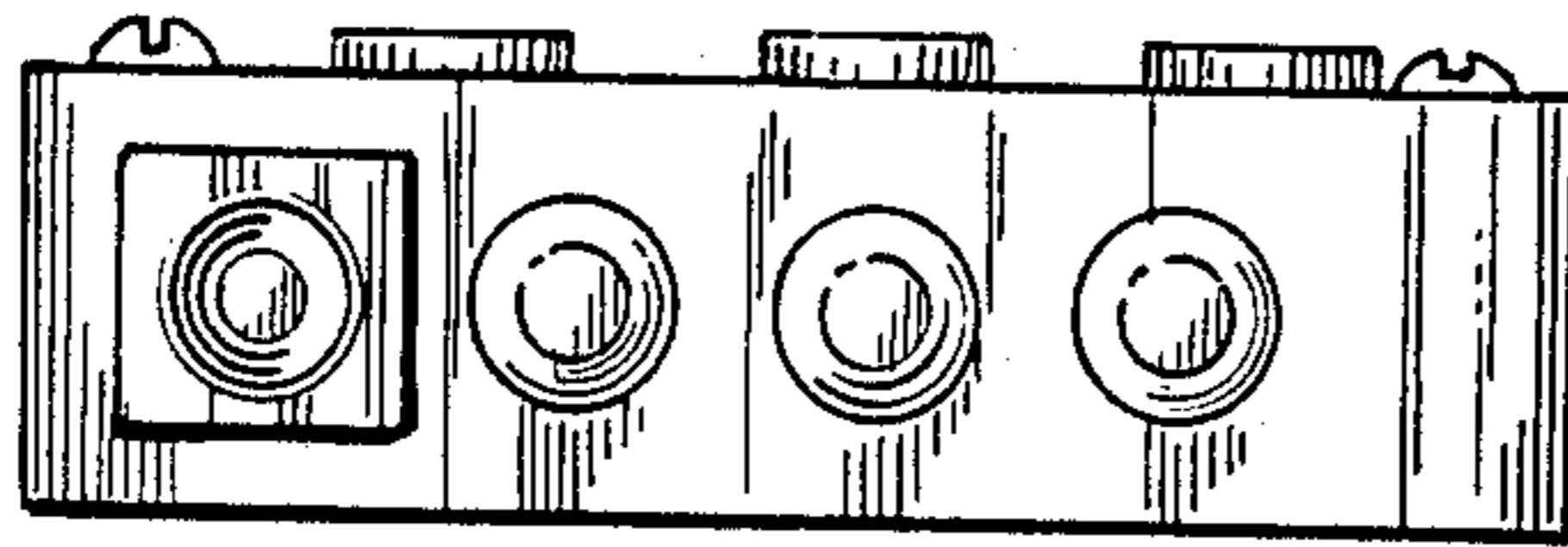


FIG. 5

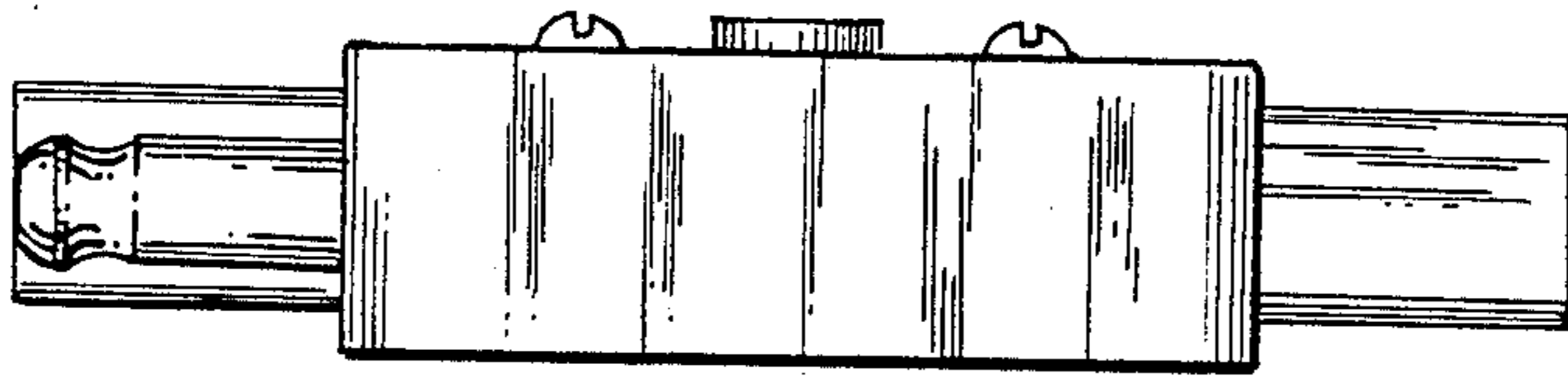


FIG. 6

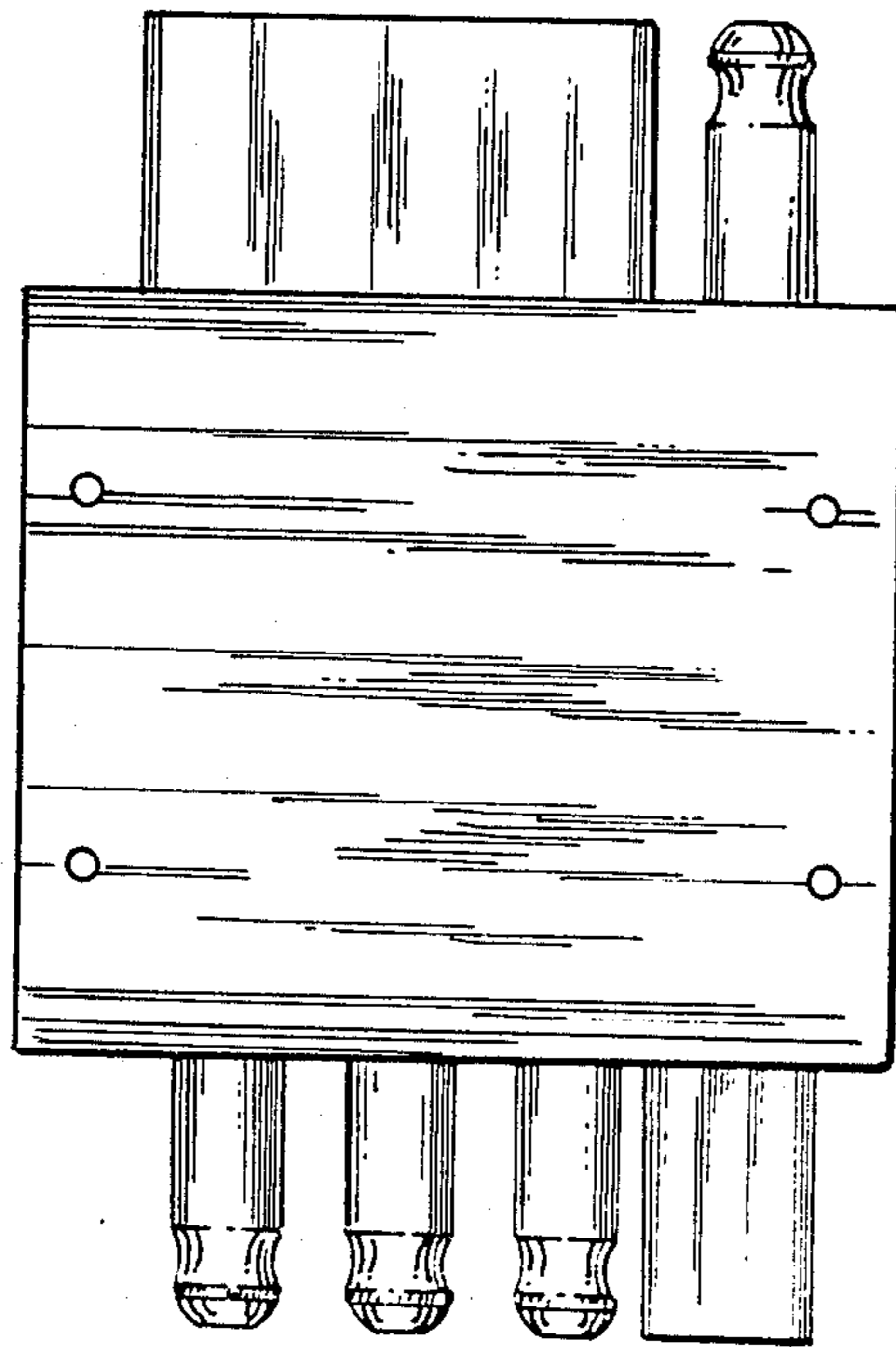


FIG. 7