

[54] ELECTRICAL CONNECTOR FOR A VEHICLE LIGHTING SYSTEM

4,718,853 1/1988 Orbanic 439/35

[75] Inventor: Robert S. Orbanic, Warren, Pa.

[73] Assignee: GTE Products Corporation, Stamford, Conn.

[**] Term: 14 Years

[21] Appl. No.: 924,714

[22] Filed: Oct. 30, 1986

[52] U.S. Cl. D13/24; D13/28

[58] Field of Search D13/11, 12, 18-31, D13/40; 439/692, 693, 694, 695, 677, 404, 680, 577, 354, 270, 63

[56] References Cited

U.S. PATENT DOCUMENTS

2,696,549	12/1954	Sturtevant	439/577
3,985,415	10/1976	Wolpert et al.	439/270
4,008,940	2/1977	Foley	439/354
4,057,310	11/1977	Young	439/35

OTHER PUBLICATIONS

Appliance-Mar. 1979, p. 29 Miller ad. for Cordsets/-middle Cord & Plug.

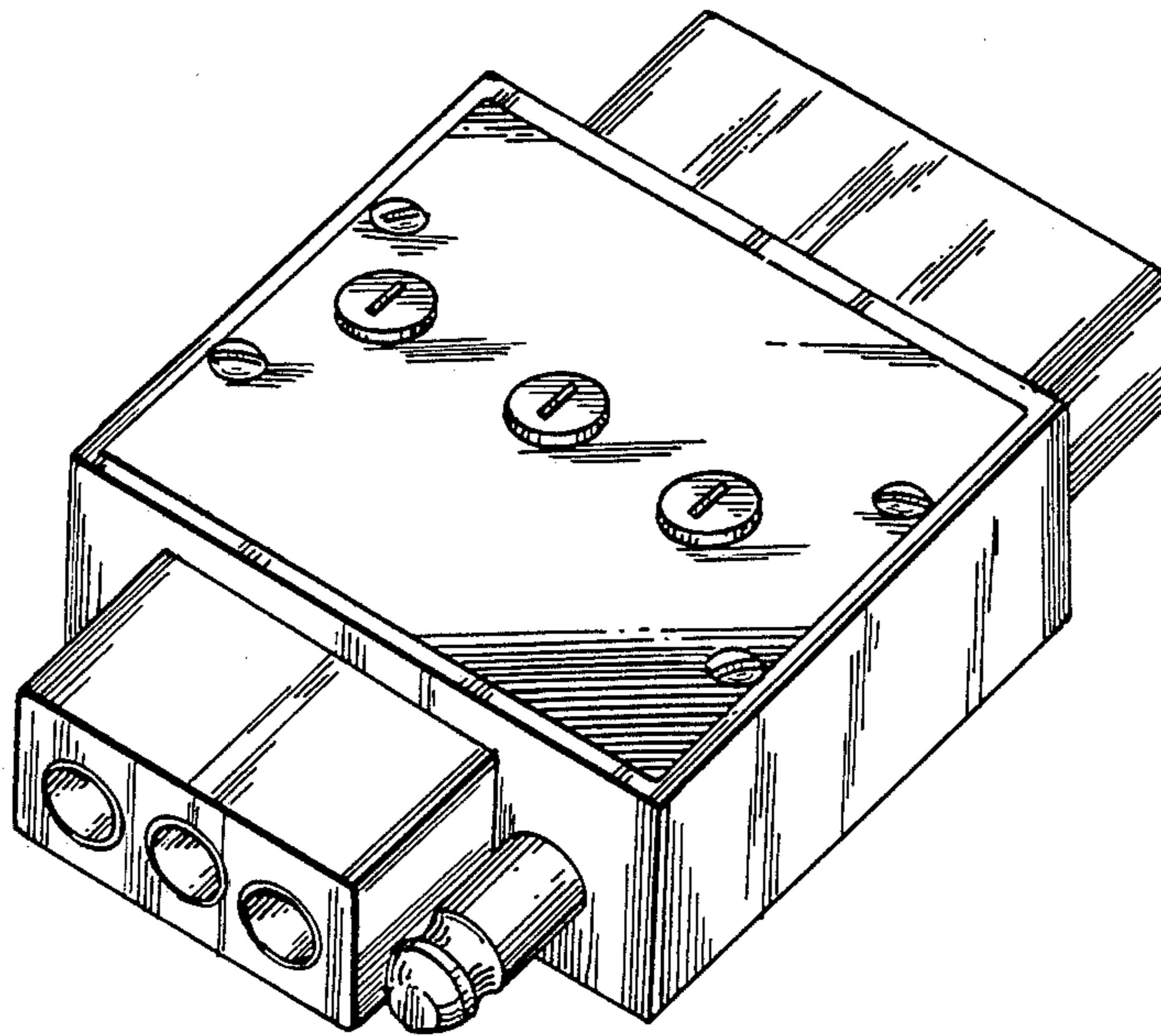
Primary Examiner—Susan J. Lucas
Assistant Examiner—Clare E. Heflin
Attorney, Agent, or Firm—William H. McNeill

[57] CLAIM

The ornamental design for an electrical connector for a vehicle lighting system, as shown.

DESCRIPTION

FIG. 1 is a perspective view of an electrical connector for a vehicle lighting system showing my new design; FIG. 2 is a top, plan view thereof; FIG. 3 is a front elevational view thereof; FIG. 4 is a side elevational view thereof; FIG. 5 is a rear elevational view thereof; FIG. 6 is an opposite side elevational view thereof; FIG. 7 is a bottom plan view thereof.



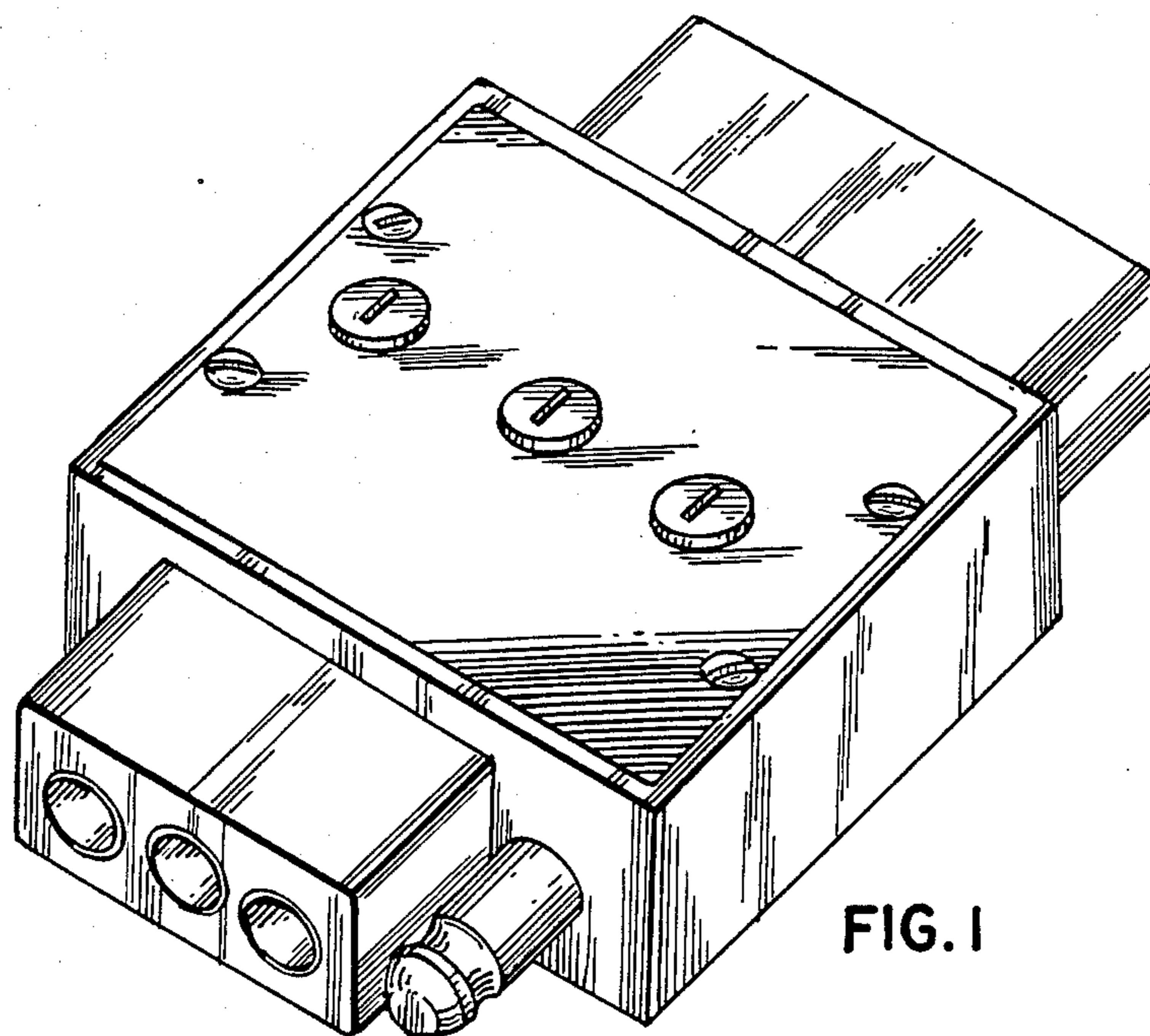


FIG. 1

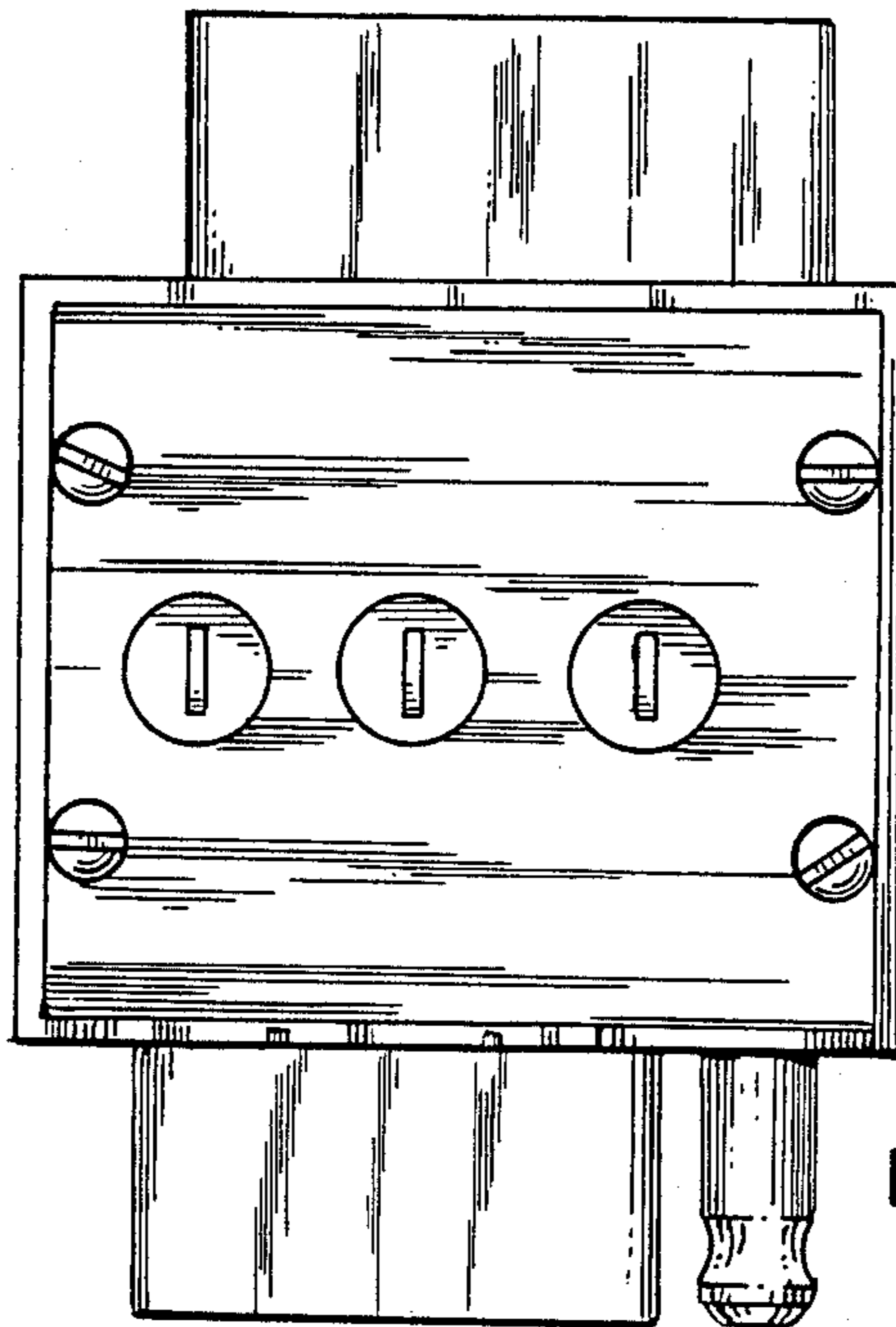


FIG. 2

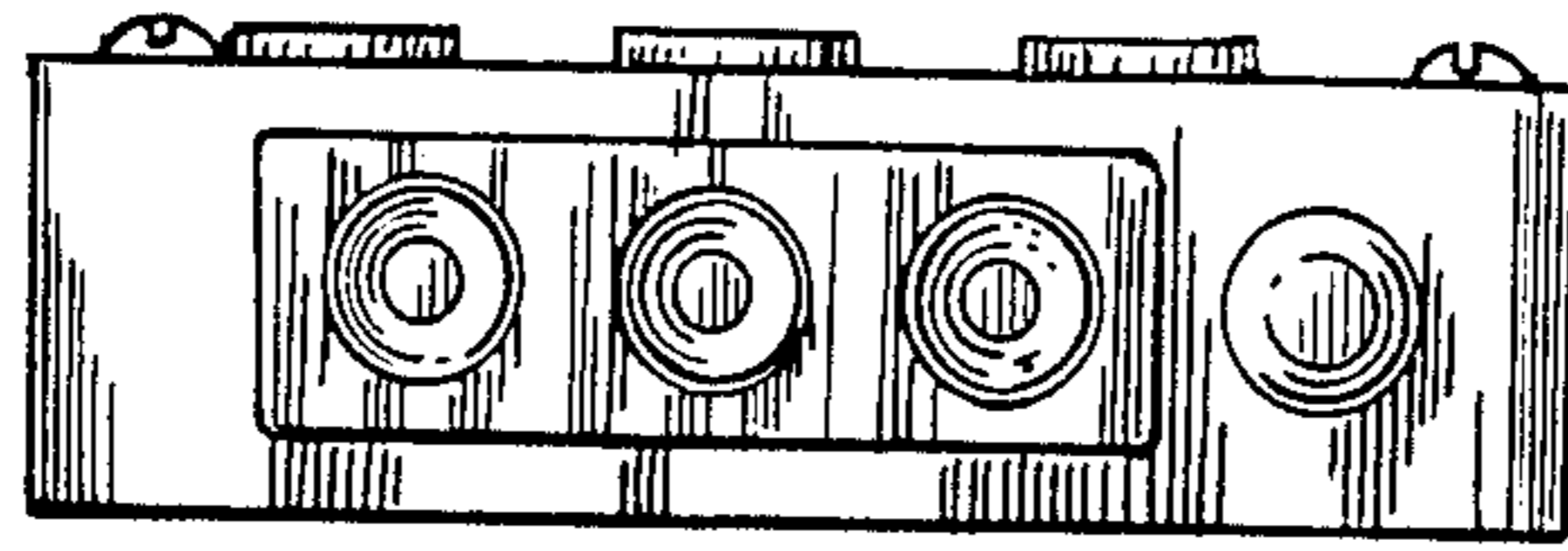


FIG. 3

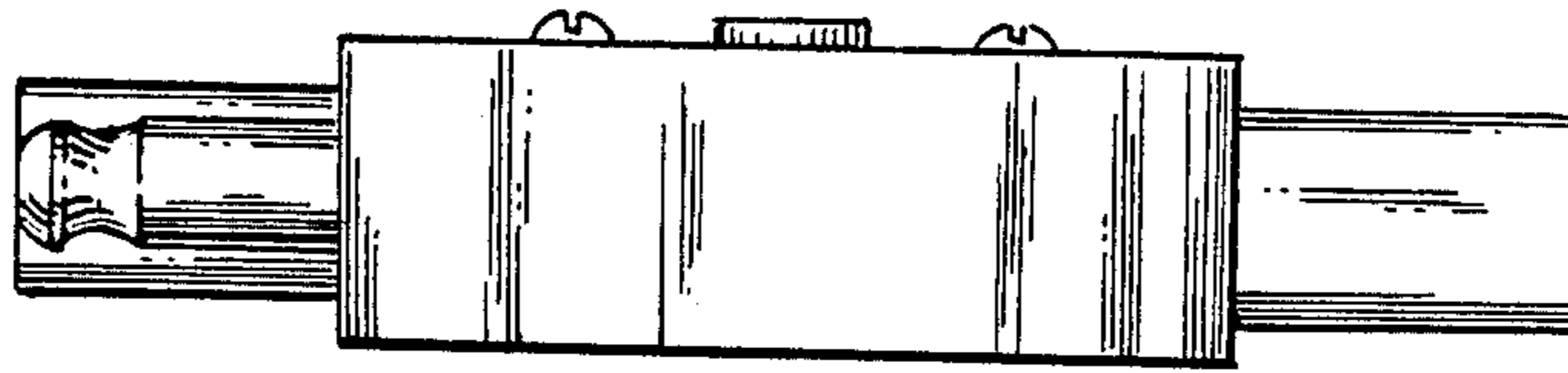


FIG. 4

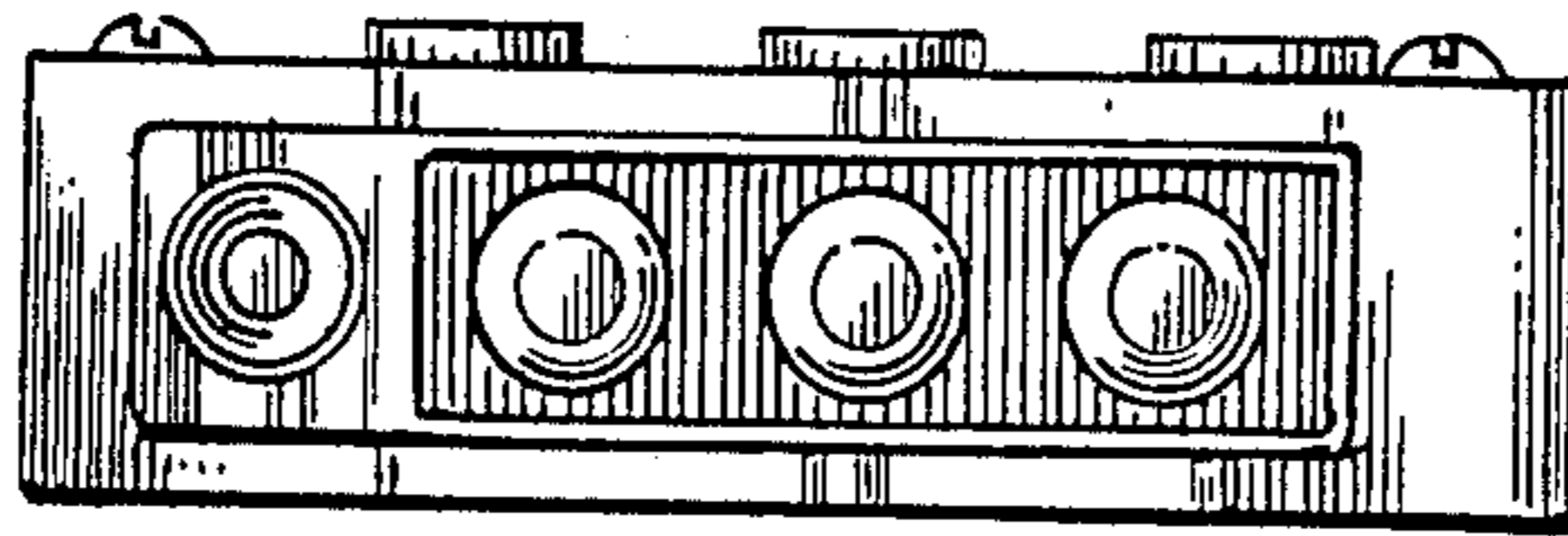


FIG. 5

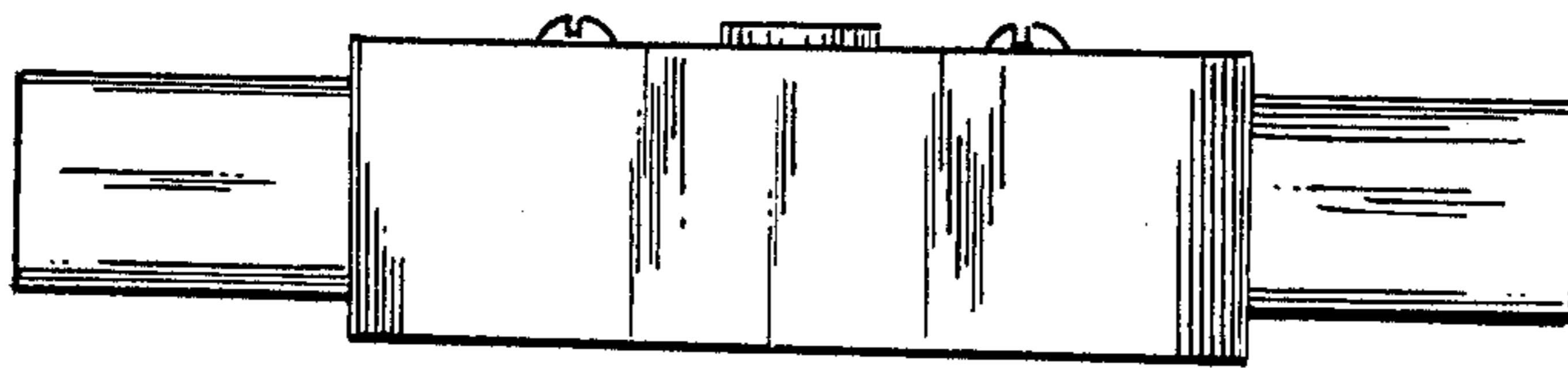


FIG. 6

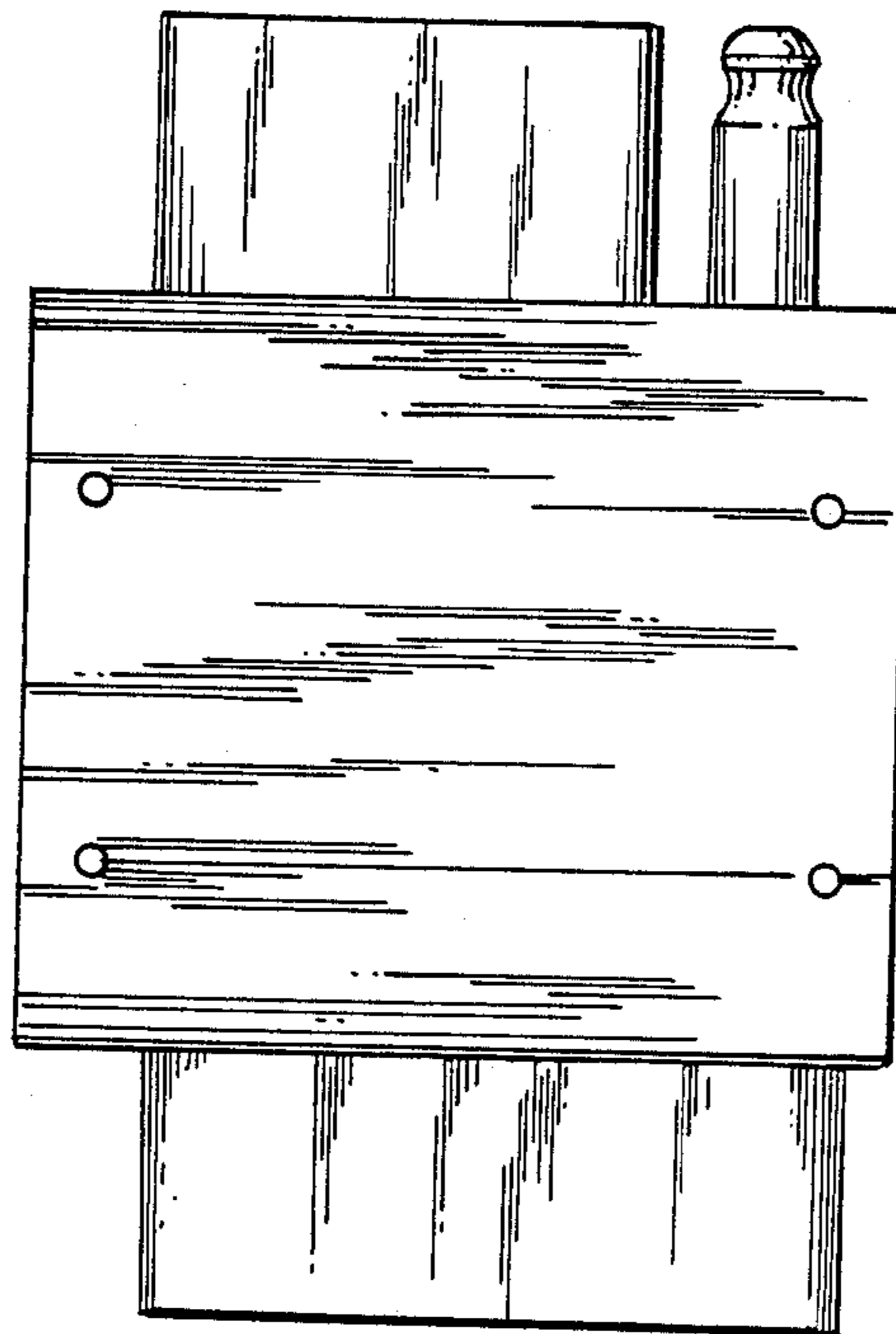


FIG. 7