

[54] **REAR VIEW MIRROR**

[75] **Inventor: Alberto Vitaloni, Torino, Italy**

[73] **Assignee: Vitaloni Group S.p.A., Italy**

[\*\*] **Term: 14 Years**

[21] **Appl. No.: 845,058**

[22] **Filed: Mar. 18, 1986**

[30] **Foreign Application Priority Data**

Dec. 4, 1985 [IT] Italy ..... 54135/85[U]  
[52] **U.S. Cl. .... D12/187**  
[58] **Field of Search ..... D12/187; 350/600, 604,  
350/606, 640, 631-637**

[56] **References Cited**

**U.S. PATENT DOCUMENTS**

D. 271,480 11/1983 Vitaloni ..... D12/187  
D. 276,992 1/1985 Eichstadt ..... D12/187  
D. 282,537 2/1986 Vitaloni ..... D12/187  
D. 286,627 11/1986 Vitaloni ..... D12/187

**OTHER PUBLICATIONS**

Road & Track, 1/83, p. 89, Vitaloni Turbo Mirror L. 2,  
center of page.

Road & Track, 9/83, p. 65, Vitaloni Turbo Mirror,  
lower left side of page.

*Primary Examiner*—James M. Gandy  
*Attorney, Agent, or Firm*—Robbins & Laramie

[57] **CLAIM**

The ornamental design for a rear view mirror as shown and described.

**DESCRIPTION**

FIG. 1 is a front perspective view of a rear view mirror showing my new design, which is mountable on the right side of a vehicle;

FIG. 2 is a rear perspective view thereof;

FIG. 3 is a front elevational view thereof;

FIG. 4 is a rear elevational view thereof;

FIG. 5 is a plan view from above thereof;

FIG. 6 is a plan view from below thereof;

FIG. 7 is a right side elevational view thereof;

FIG. 8 is a left side elevational view thereof;

FIG. 9 is a front perspective view of a rear view mirror showing a second embodiment of my new design, the sole difference being that it is mountable on the left side of a vehicle;

FIG. 10 is a rear perspective view of the embodiment of FIG. 9;

FIG. 11 is a front elevational view of the embodiment of FIG. 9;

FIG. 12 is a rear elevational view of the embodiment of FIG. 9;

FIG. 13 is a plan view from above of the embodiment of FIG. 9;

FIG. 14 is a plan view from below of the embodiment of FIG. 9;

FIG. 15 is a left side elevational view of the embodiment of FIG. 9;

FIG. 16 is a right side elevational view of the embodiment of FIG. 9

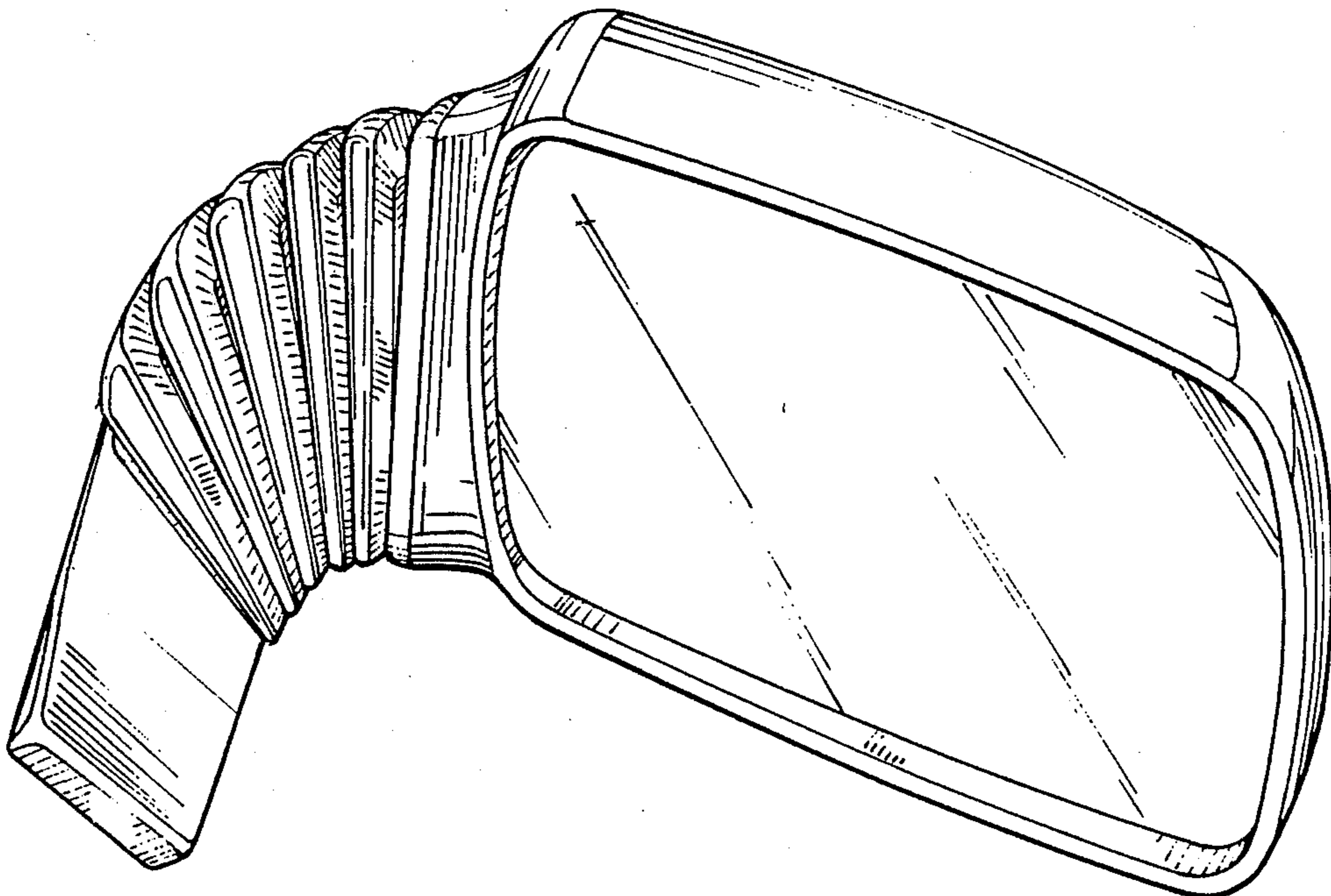


FIG. 1

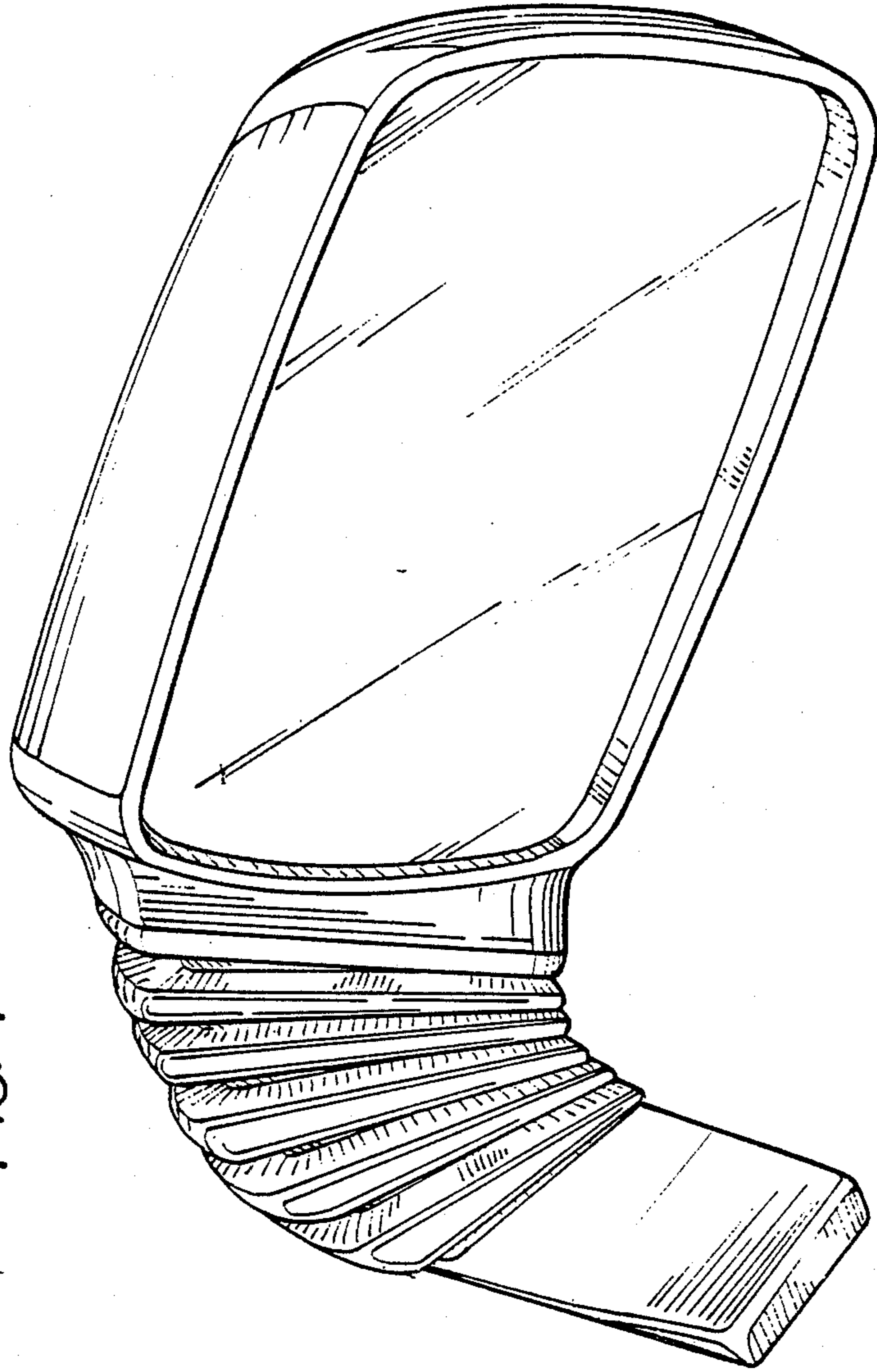


FIG. 2

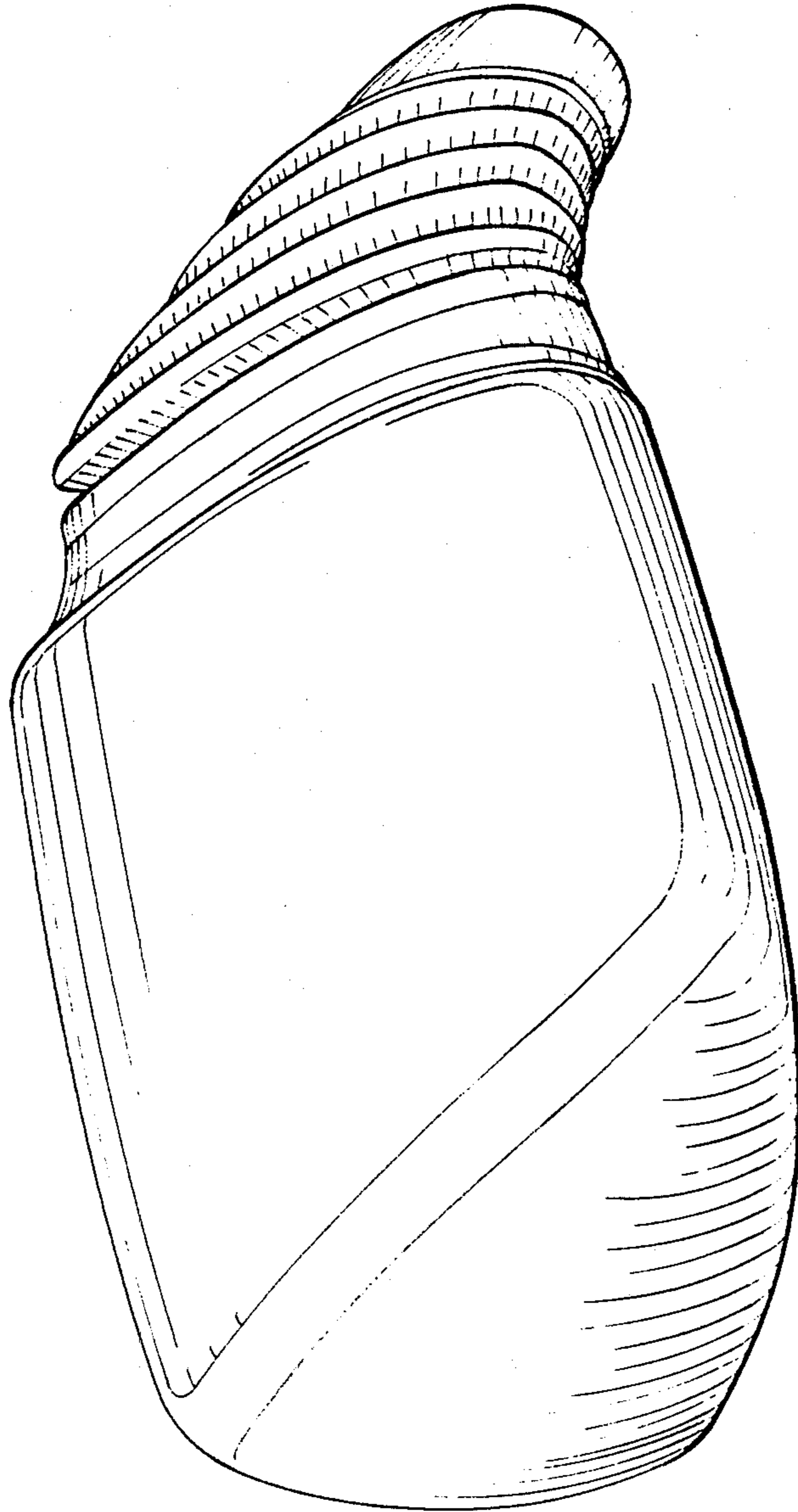


FIG. 3



FIG. 4

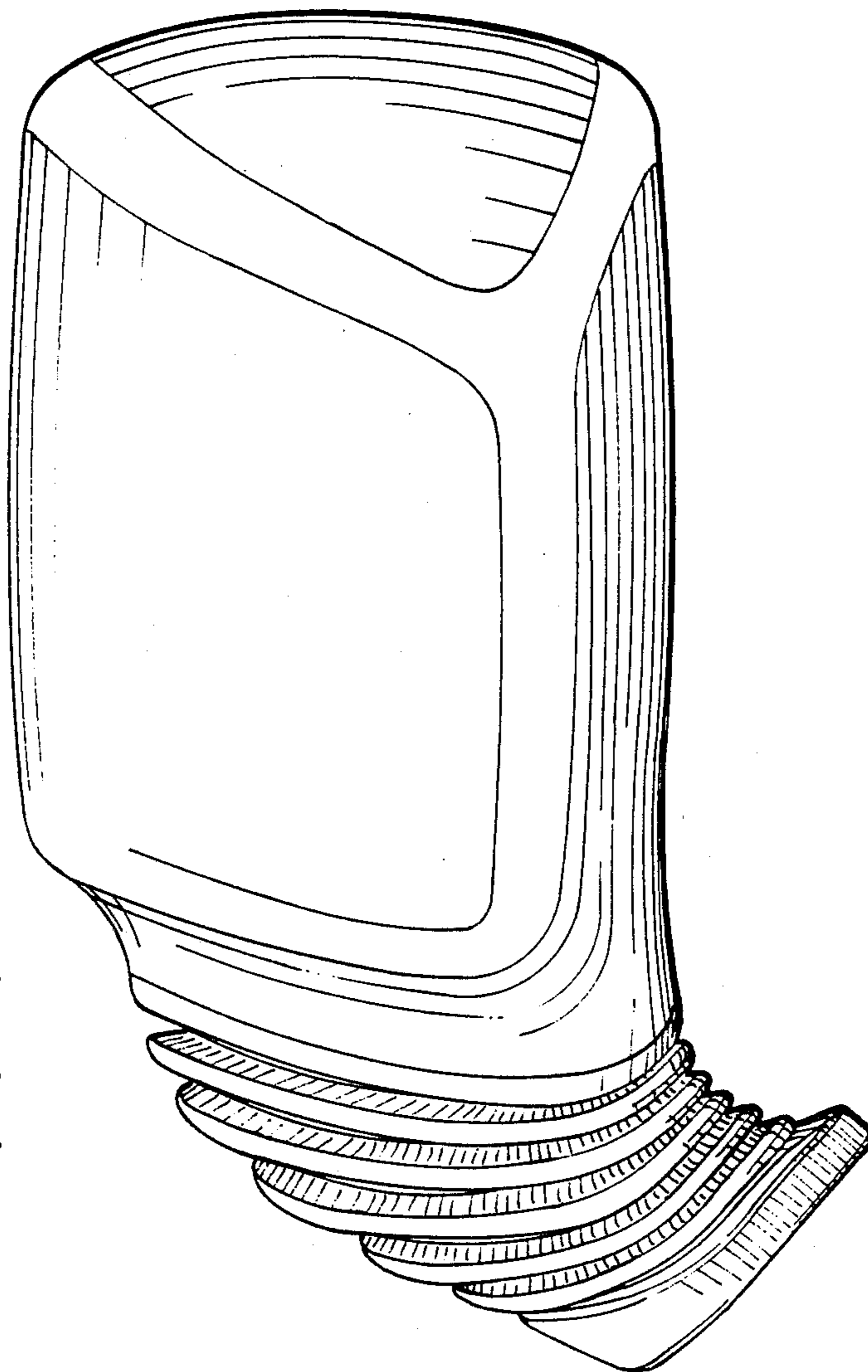


FIG. 5

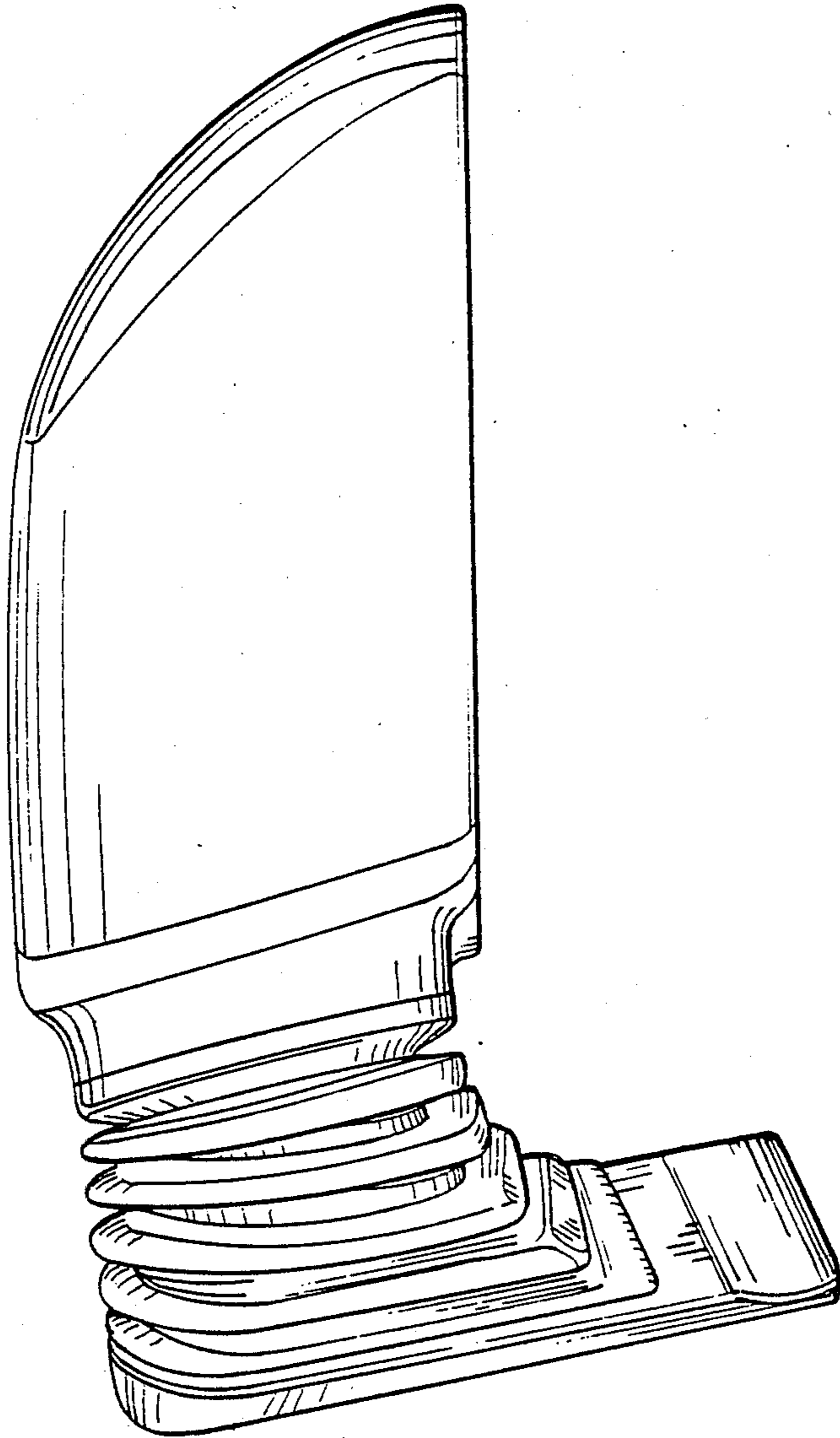


FIG. 6

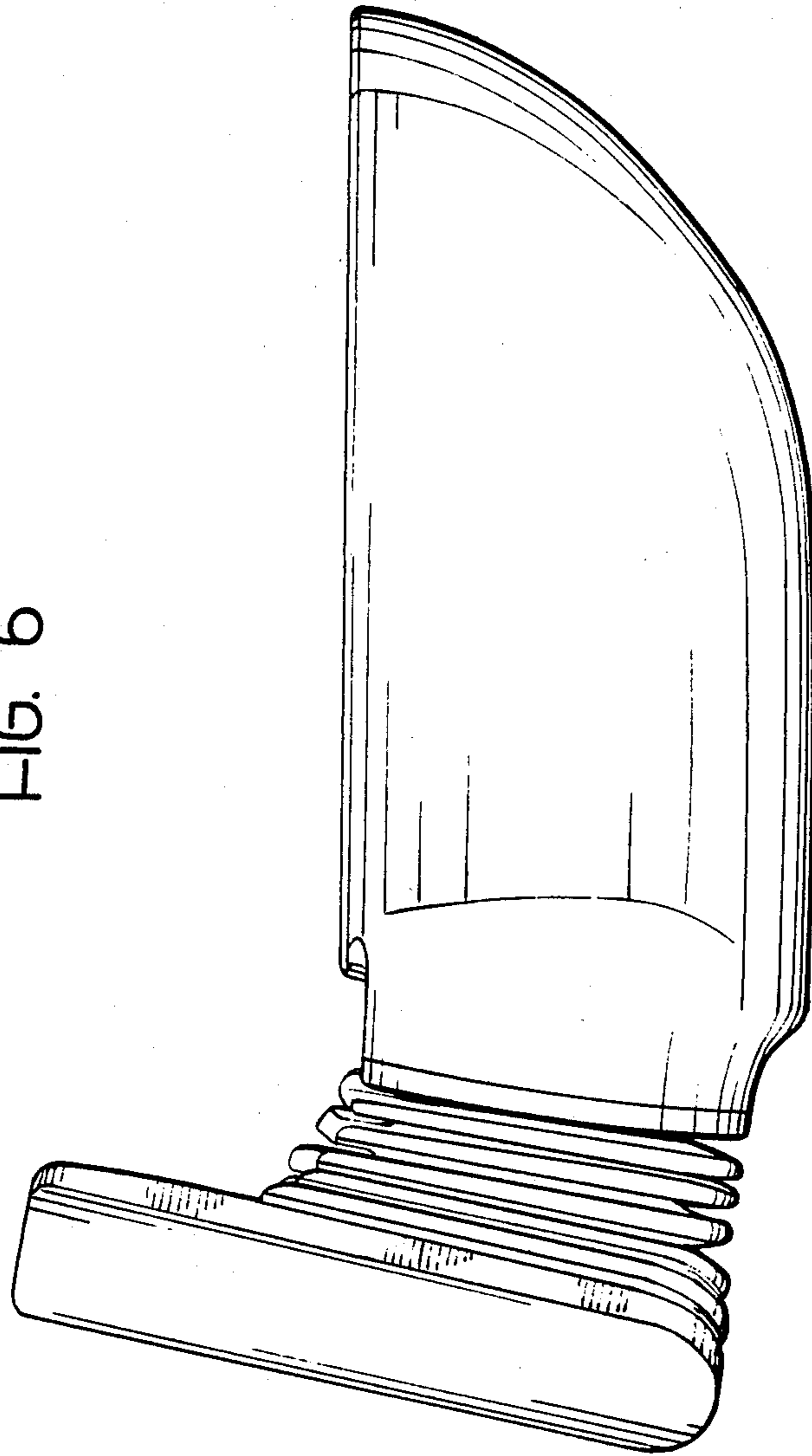


FIG. 7

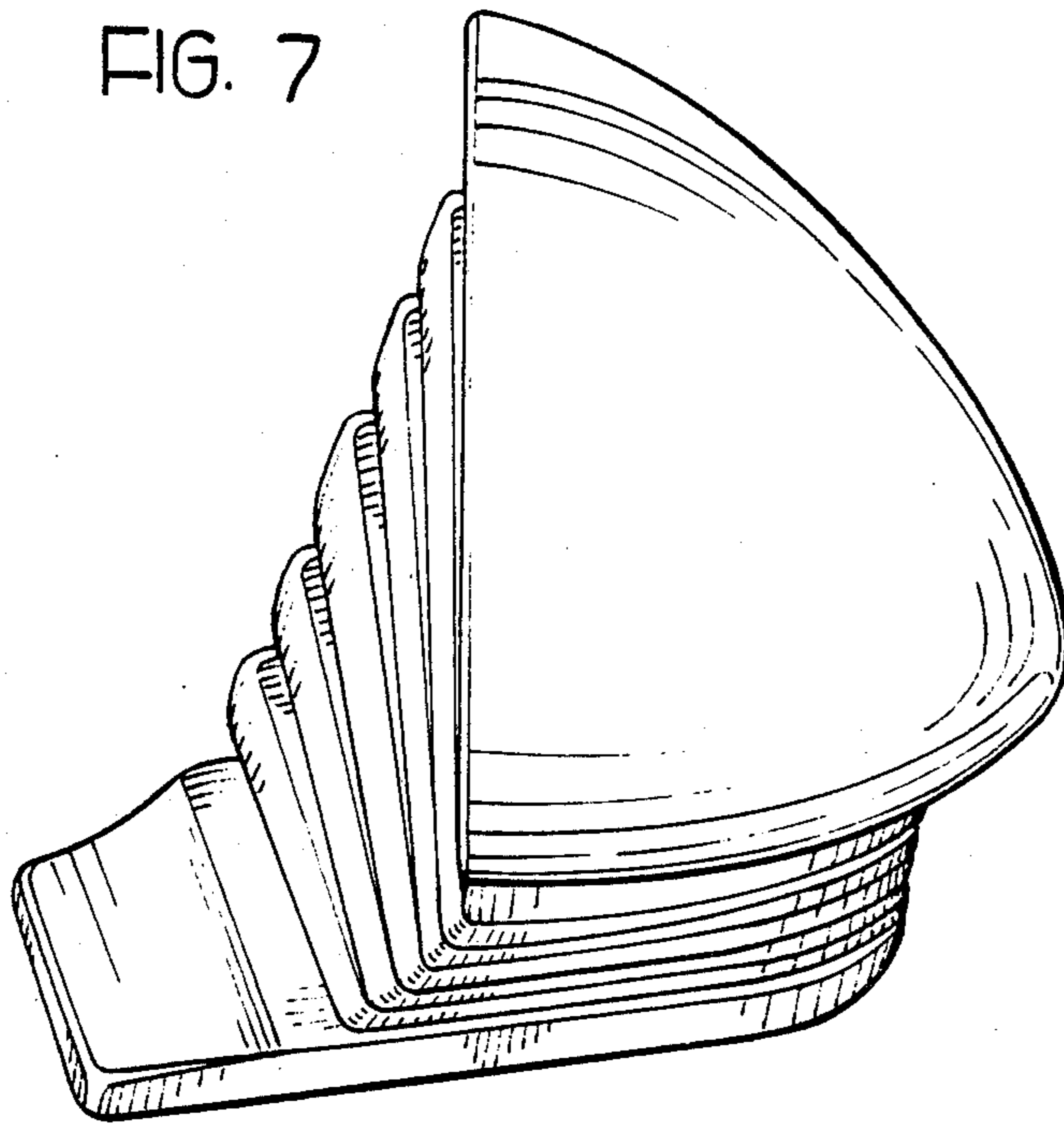
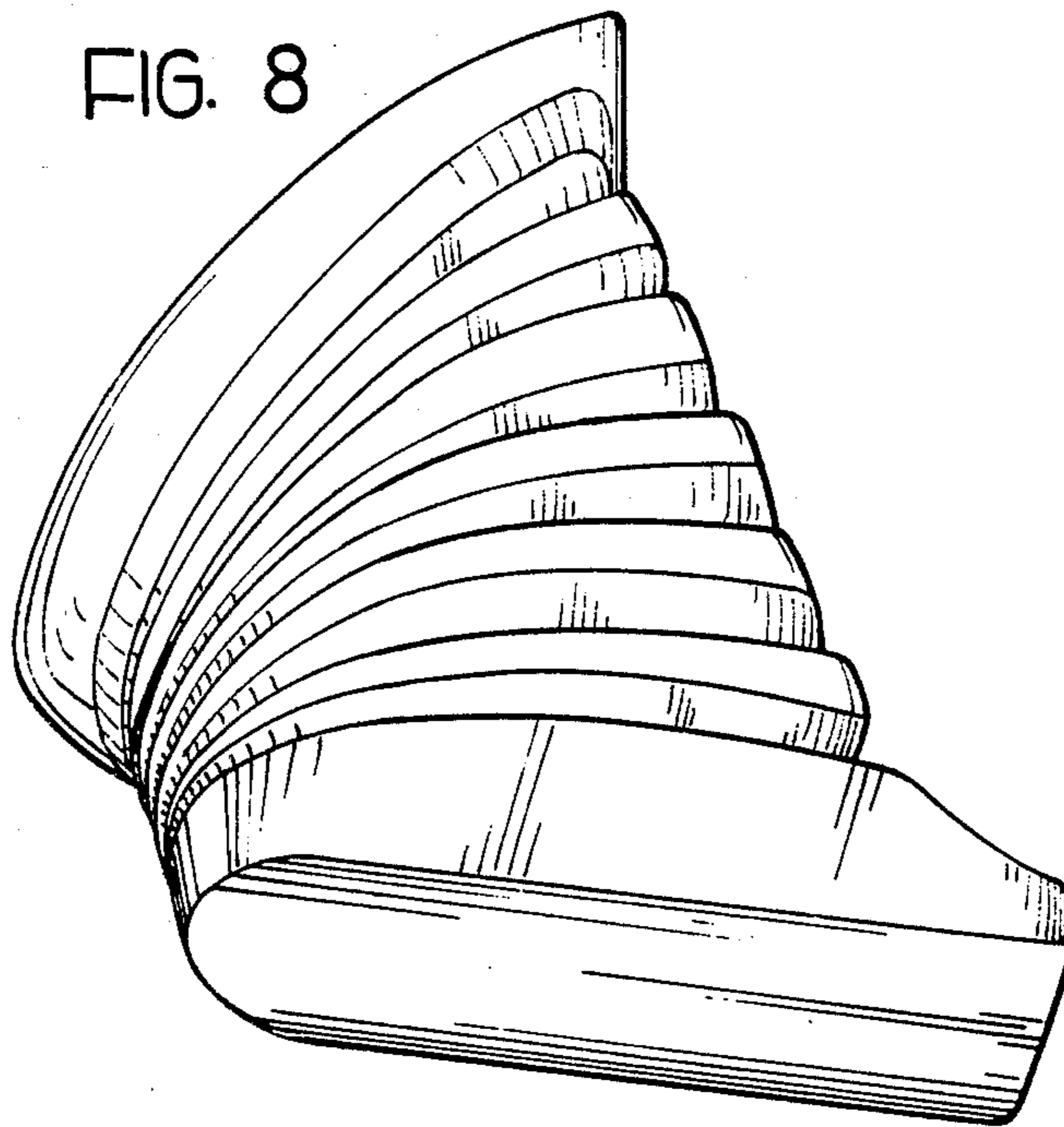


FIG. 8





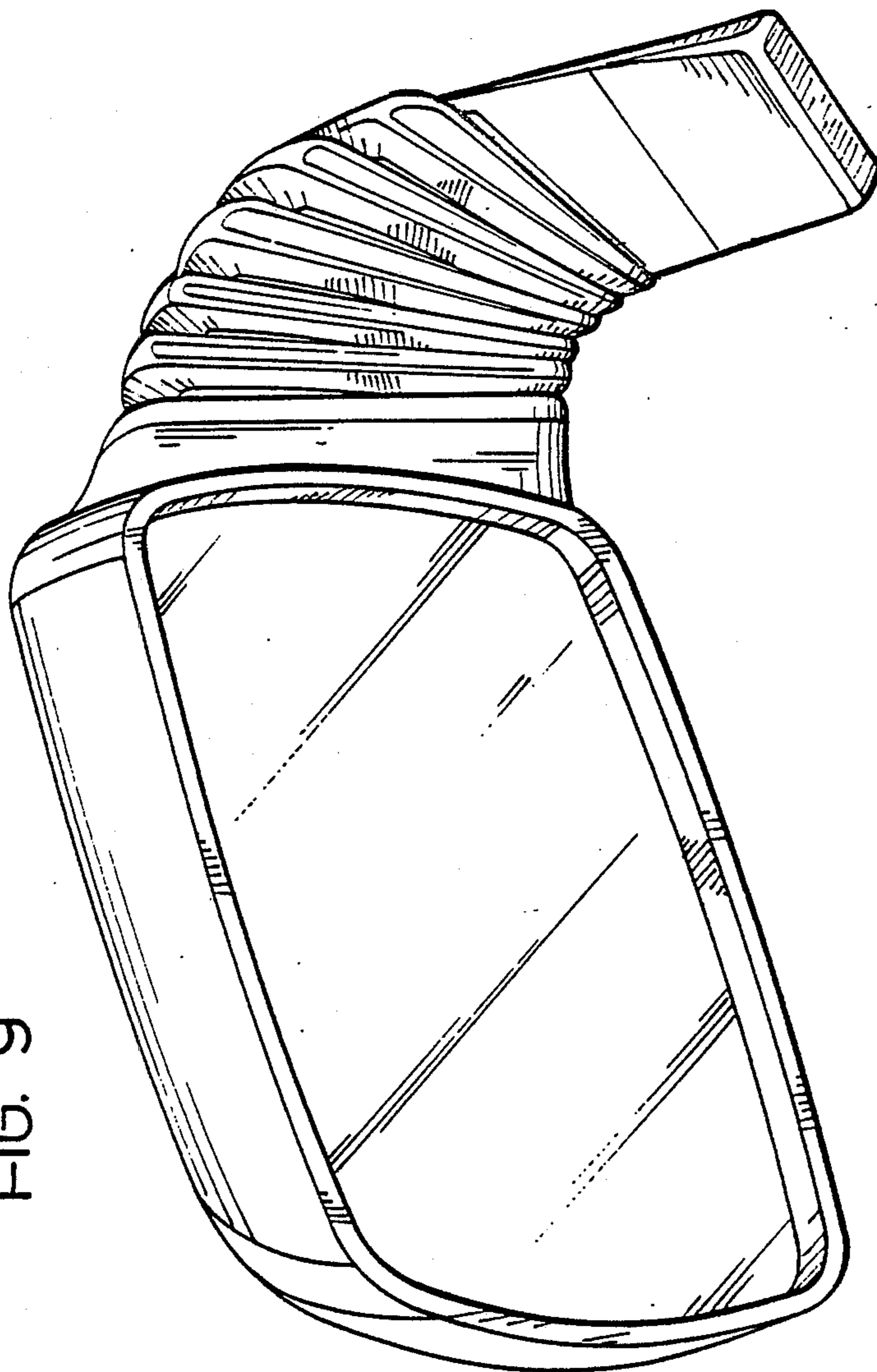


FIG. 9

FIG. 10

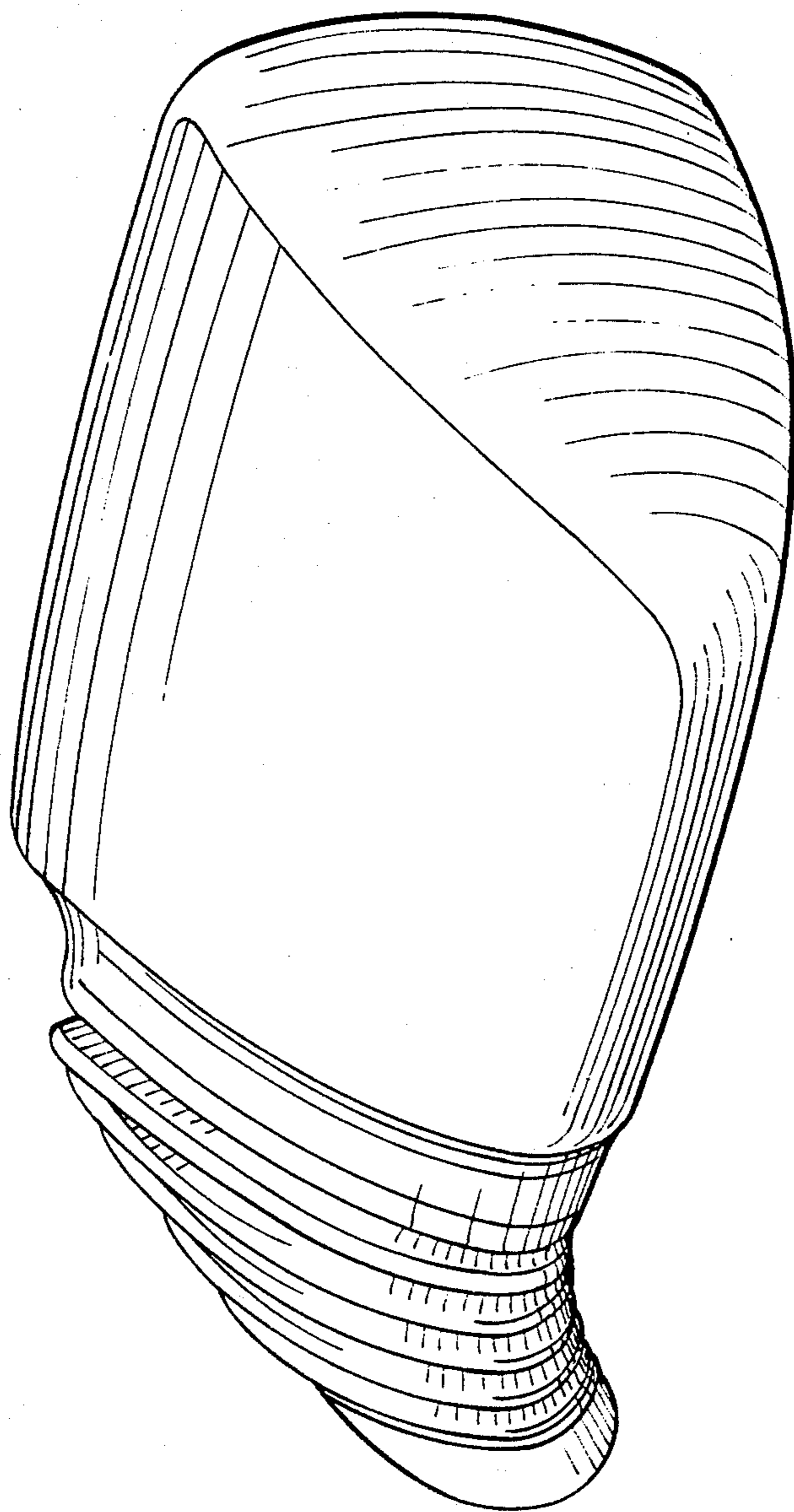
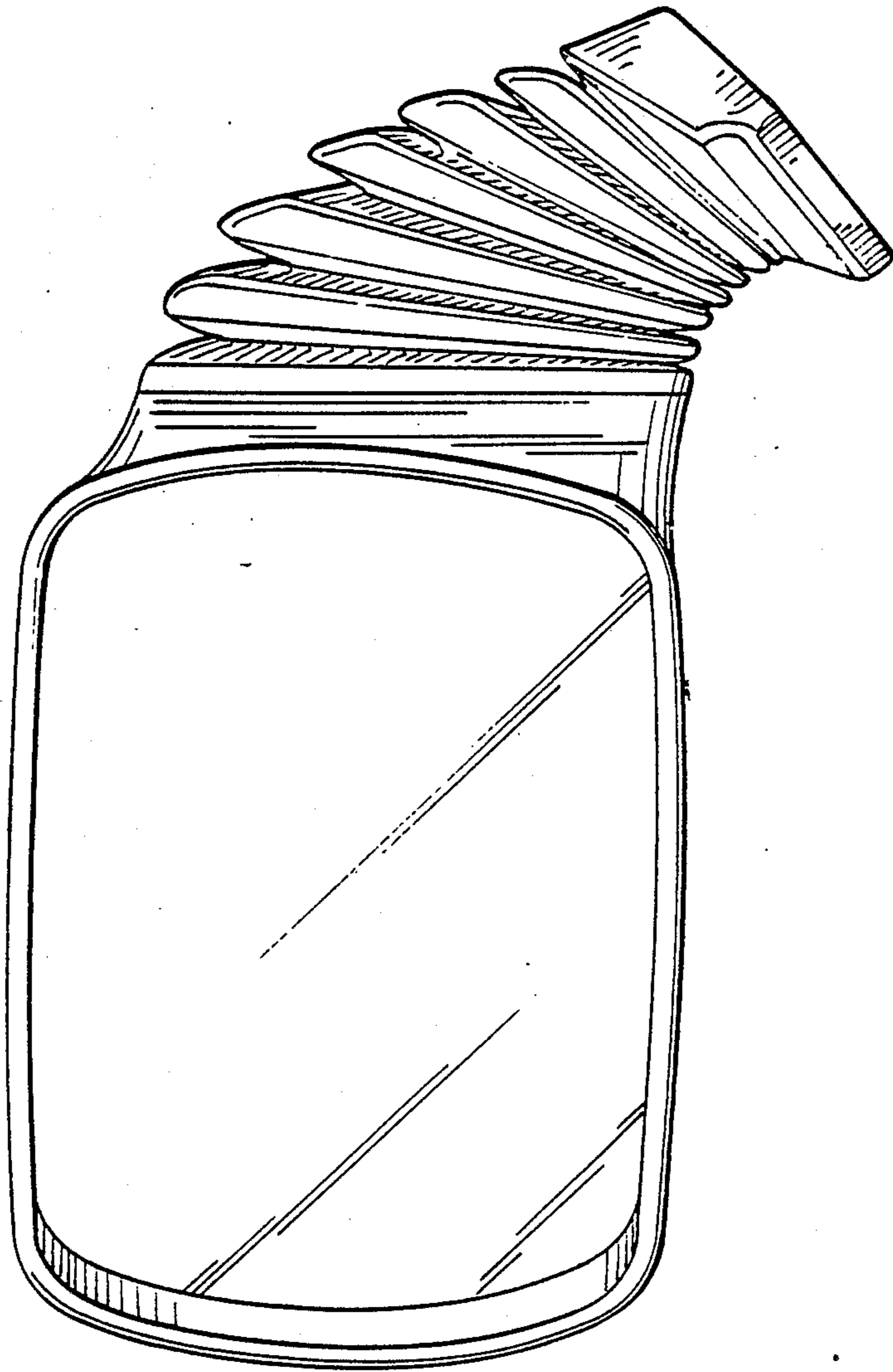


FIG. 11



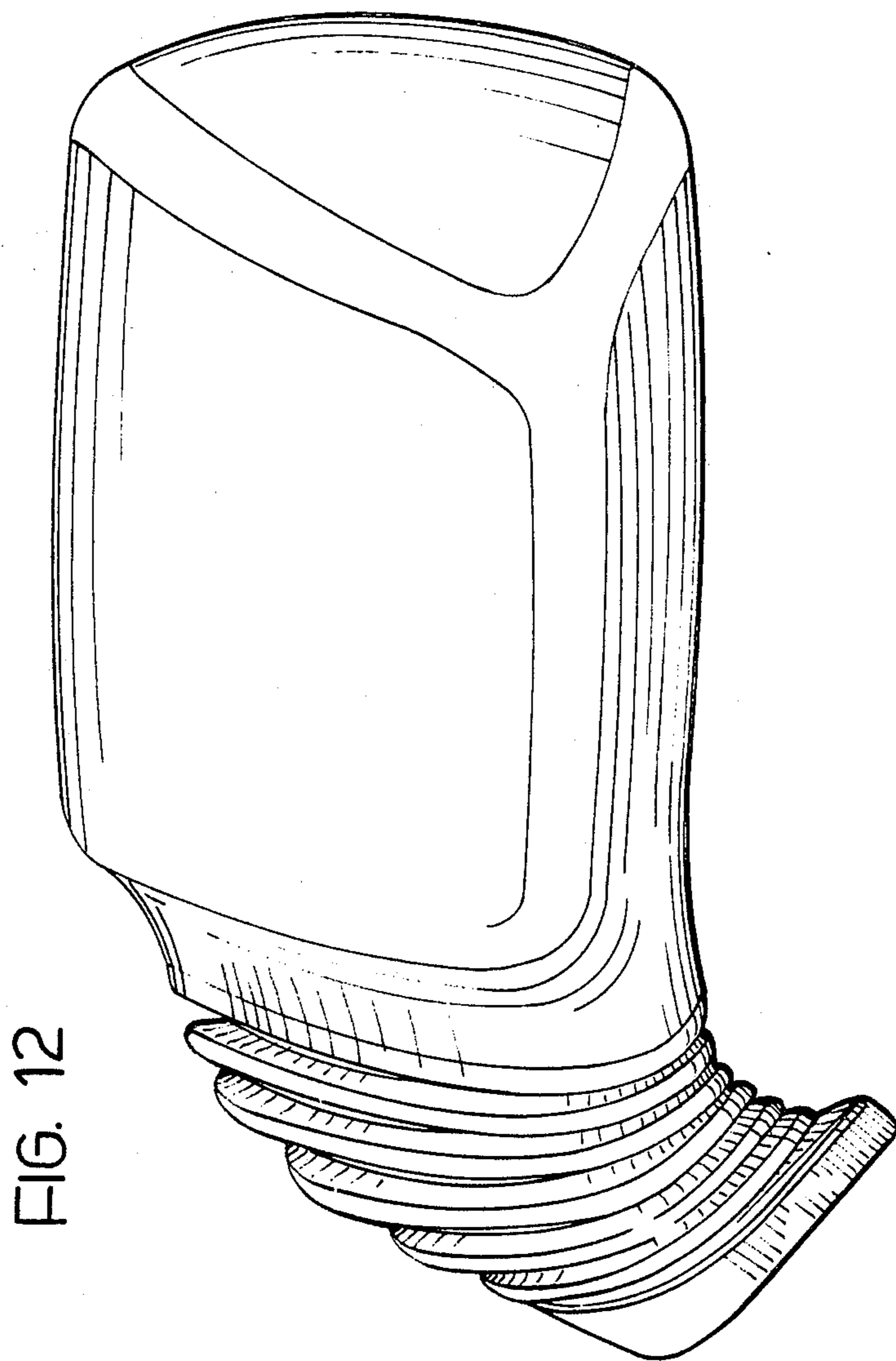


FIG. 12

FIG. 13

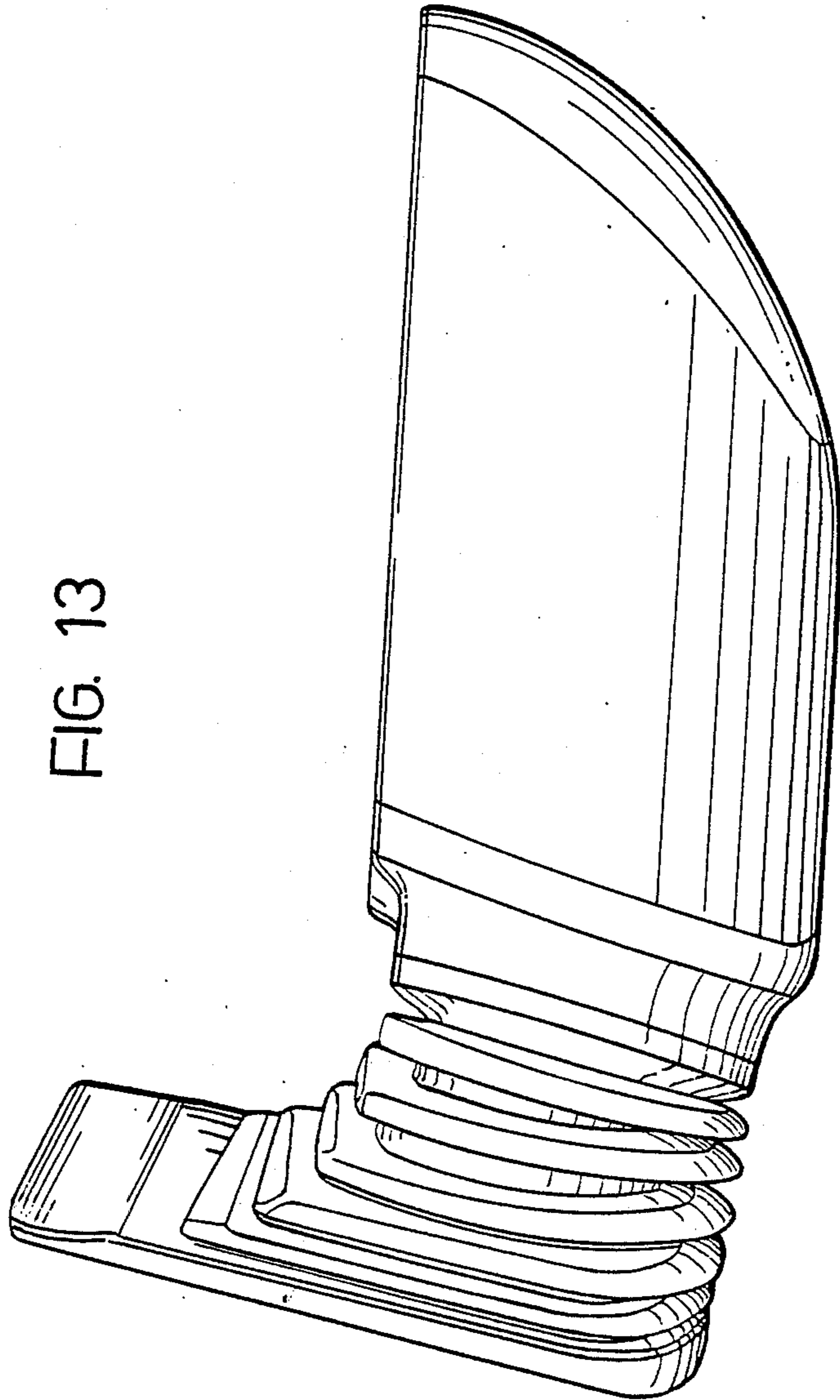


FIG. 14

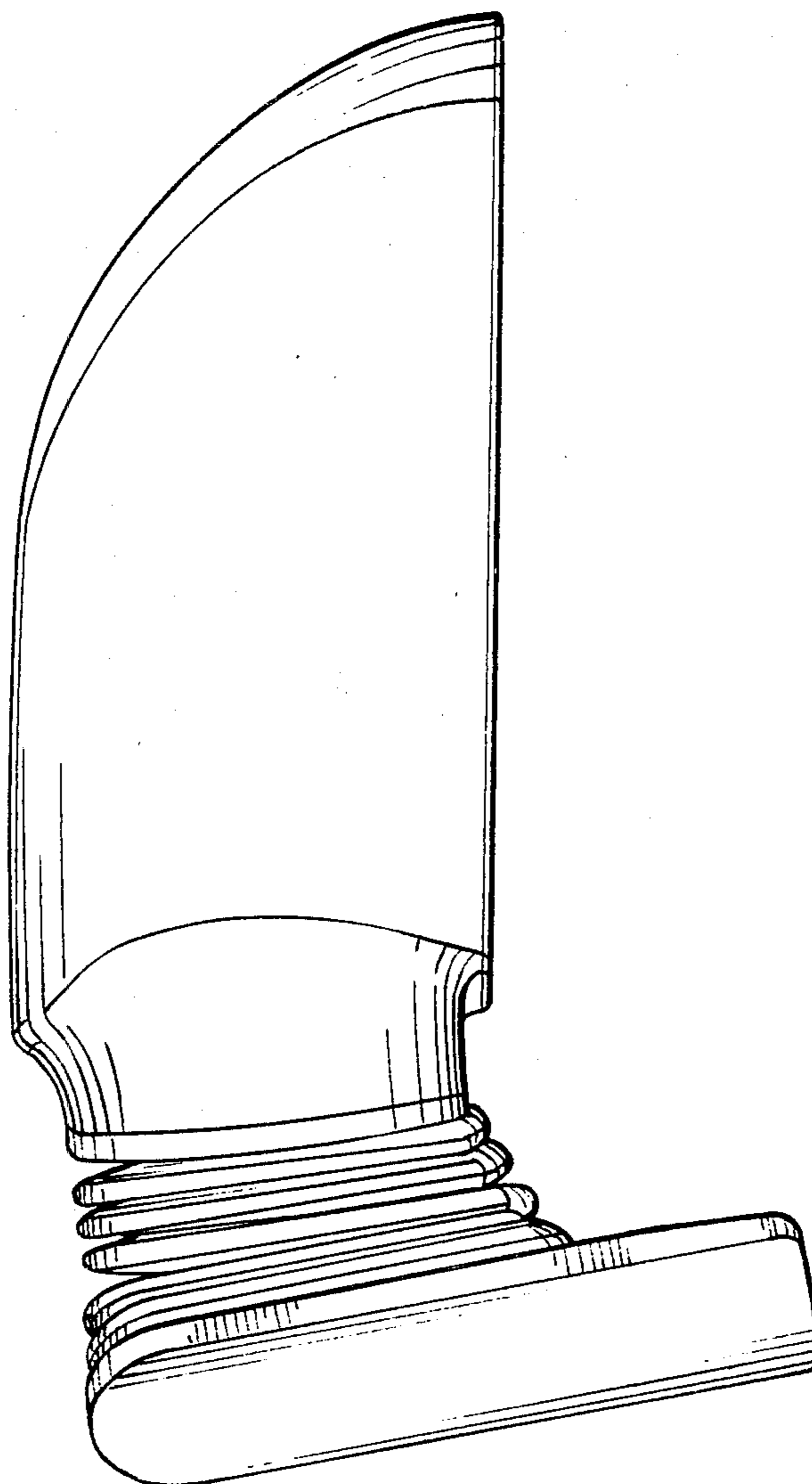


FIG. 15

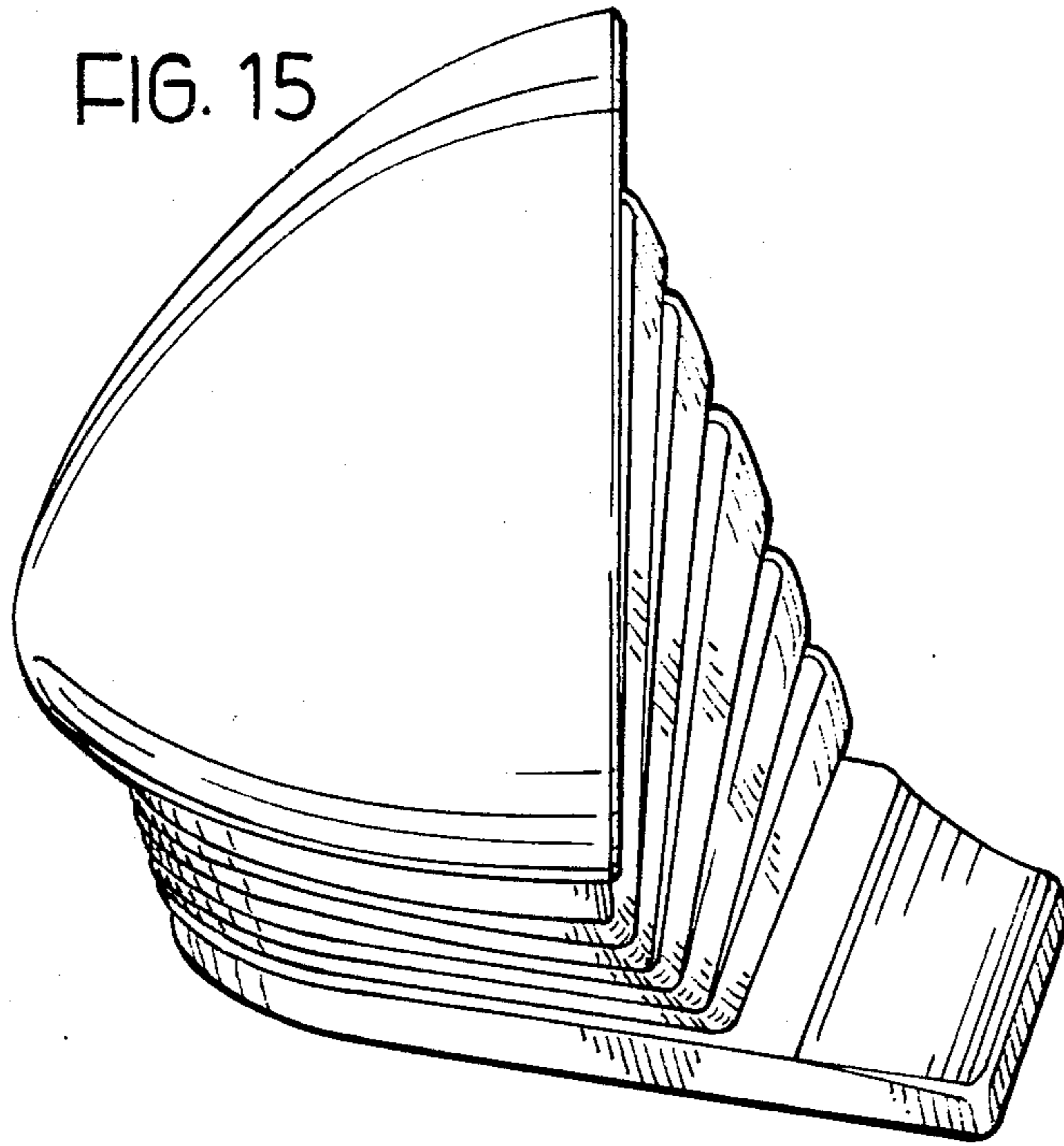


FIG. 16

