

# United States Patent [19]

Charet et al.

[11] Patent Number: Des. 300,816

[45] Date of Patent: \*\* Apr. 25, 1989

[54] TRIM DOOR GUARD FOR AUTOMOBILES

[75] Inventors: Pierre Charet; Duke Kraai, both of Miami, Fla.

[73] Assignee: Rally Manufacturing, Inc., Miami, Fla.

[\*\*] Term: 14 Years

[21] Appl. No.: 865,603

[22] Filed: May 21, 1986

[52] U.S. Cl. .... D12/167

[58] Field of Search ..... D12/167, 190; 49/462; 52/716

[56] References Cited

## U.S. PATENT DOCUMENTS

D. 220,261 3/1971 Bjorum et al. .... D12/167  
D. 238,489 1/1976 Slingerland, Jr. .... D12/167  
D. 278,895 5/1985 Tanaka ..... D12/167

Primary Examiner—James M. Gandy  
Attorney, Agent, or Firm—Gilbert L. Wells

[57] CLAIM

The ornamental design for a trim door guard for automobiles, as shown and described.

## DESCRIPTION

FIG. 1 is a side elevational view of a trim door guard for automobiles showing my new design it being understood that the broken lines are for illustrative purposes only and form no part of the claimed design;

FIG. 2 is an enlarged top, left front perspective view thereof;

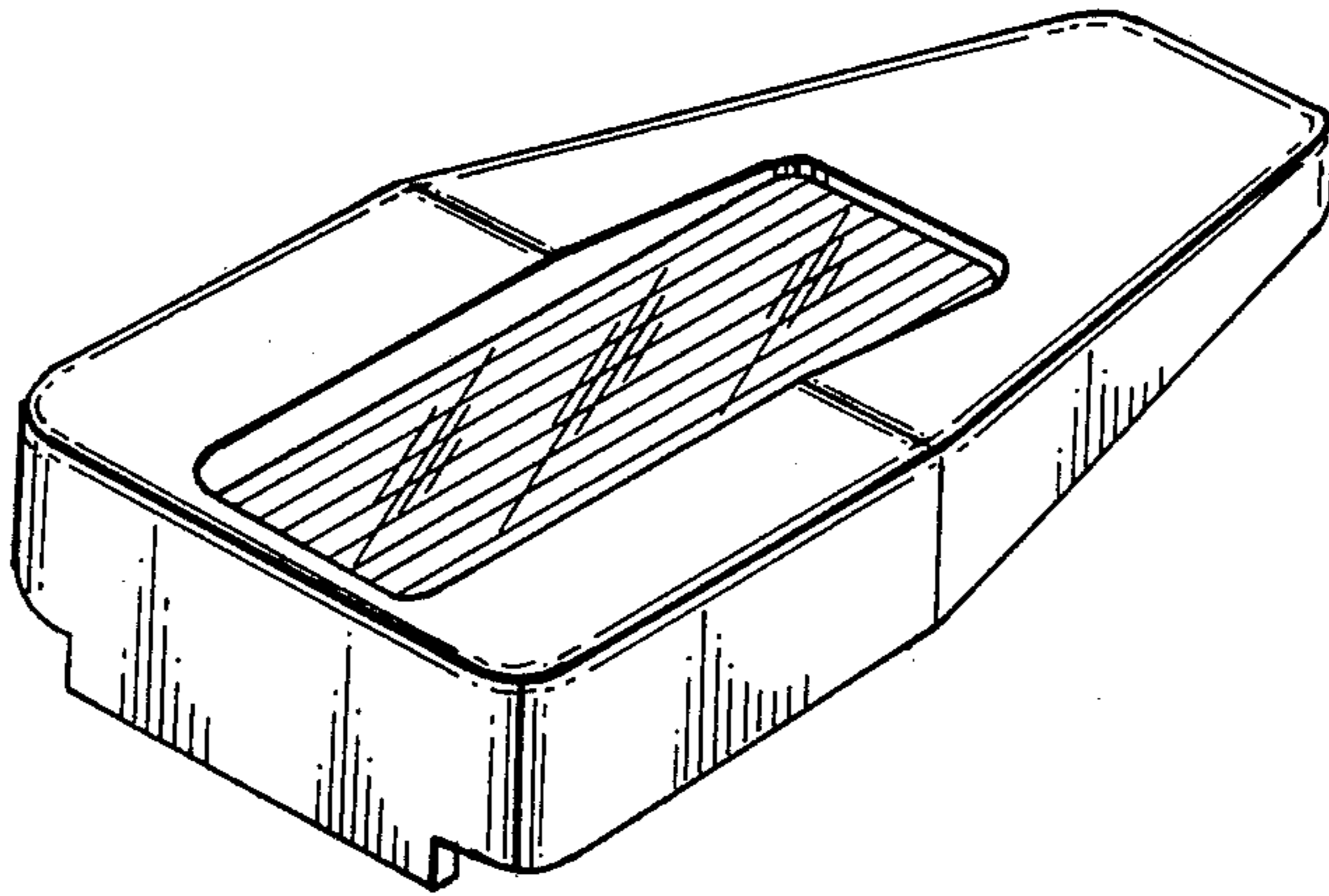
FIG. 3 is a top plan view of FIG. 2;

FIG. 4 is a left side elevation view of FIG. 2, the right side being a mirror image thereof;

FIG. 5 is a front elevation view of FIG. 2;

FIG. 6 is a rear elevation view of FIG. 2; and

FIG. 7 is a bottom plan view of FIG. 2.



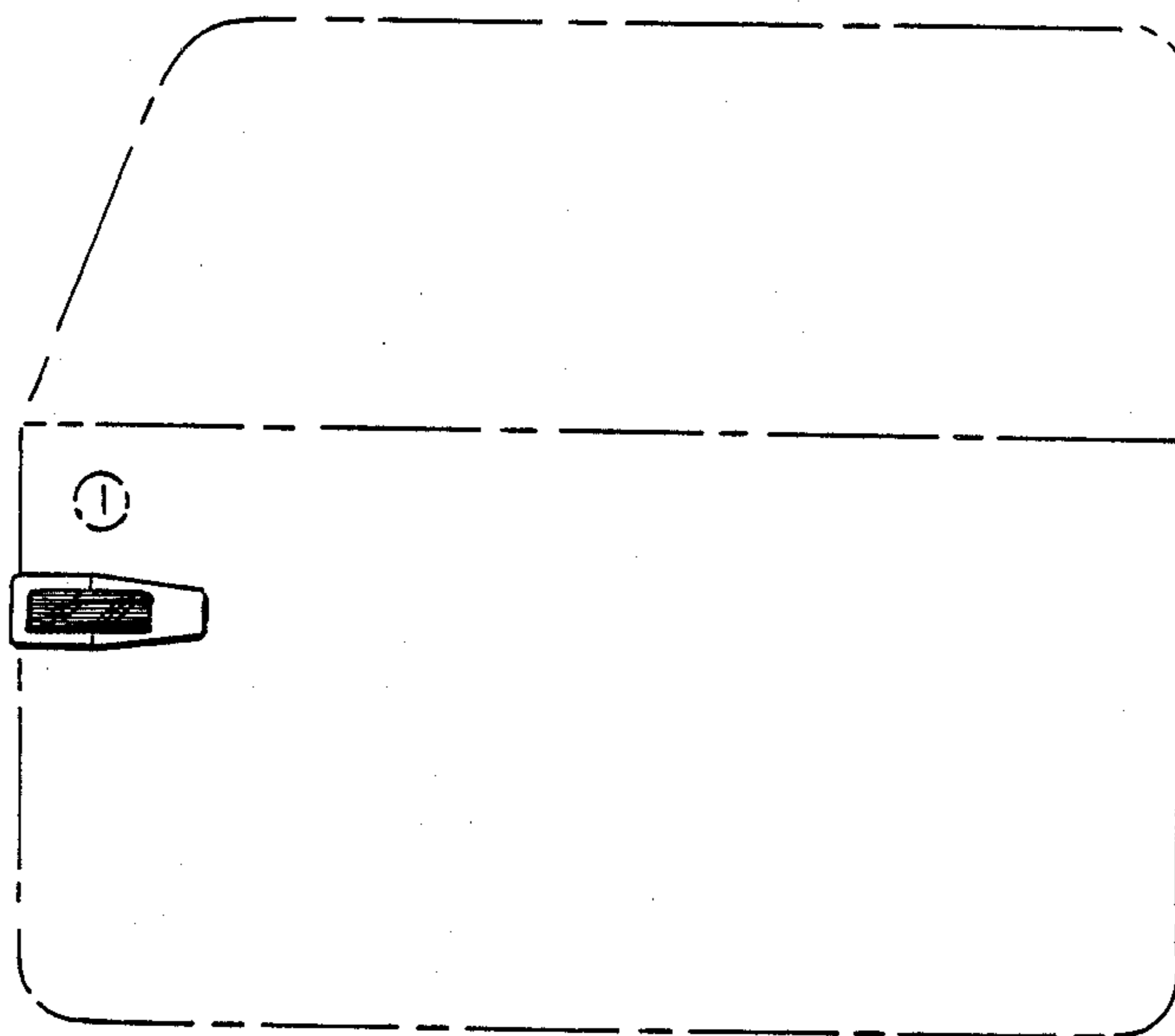


FIG. 1

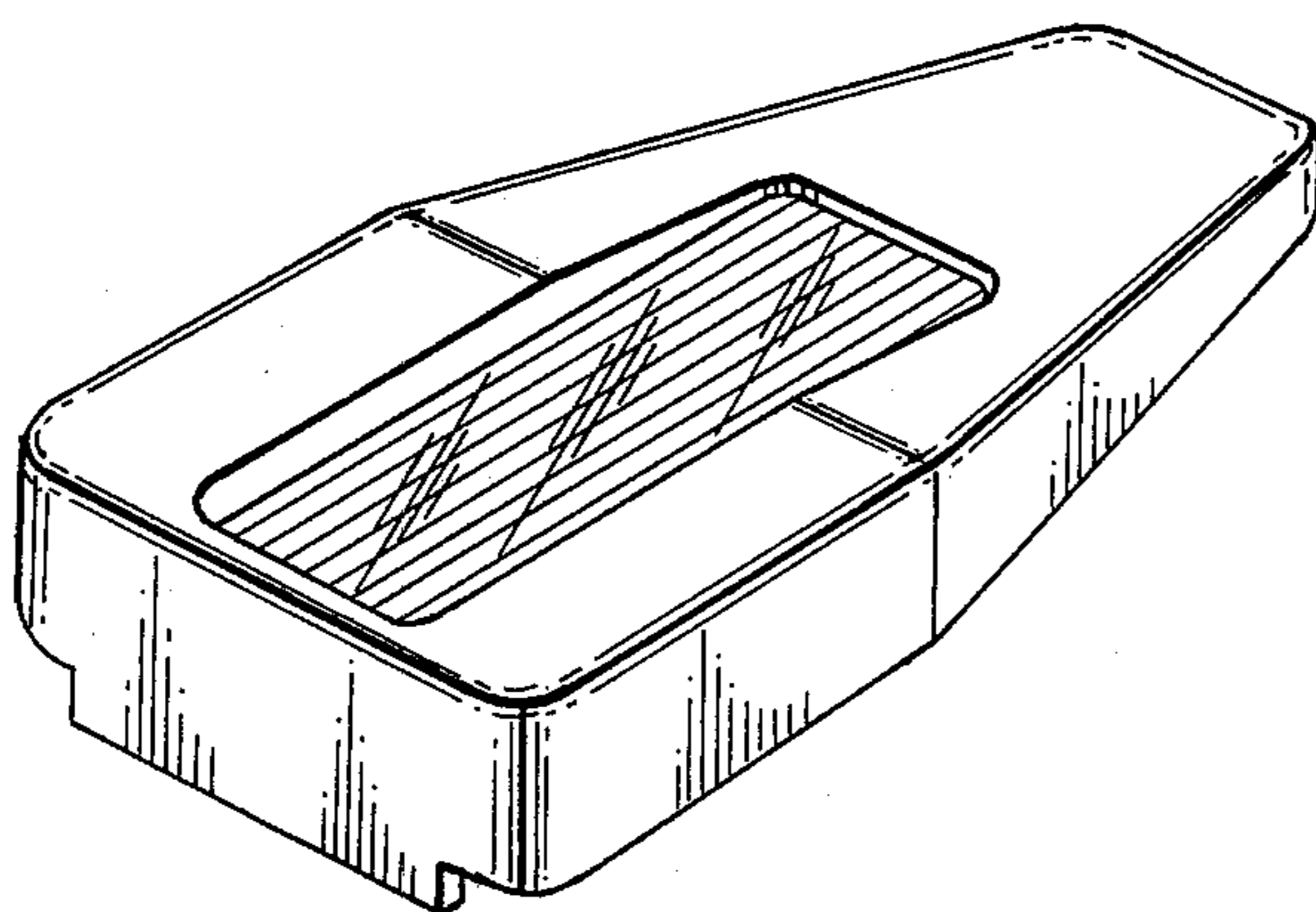


FIG. 2

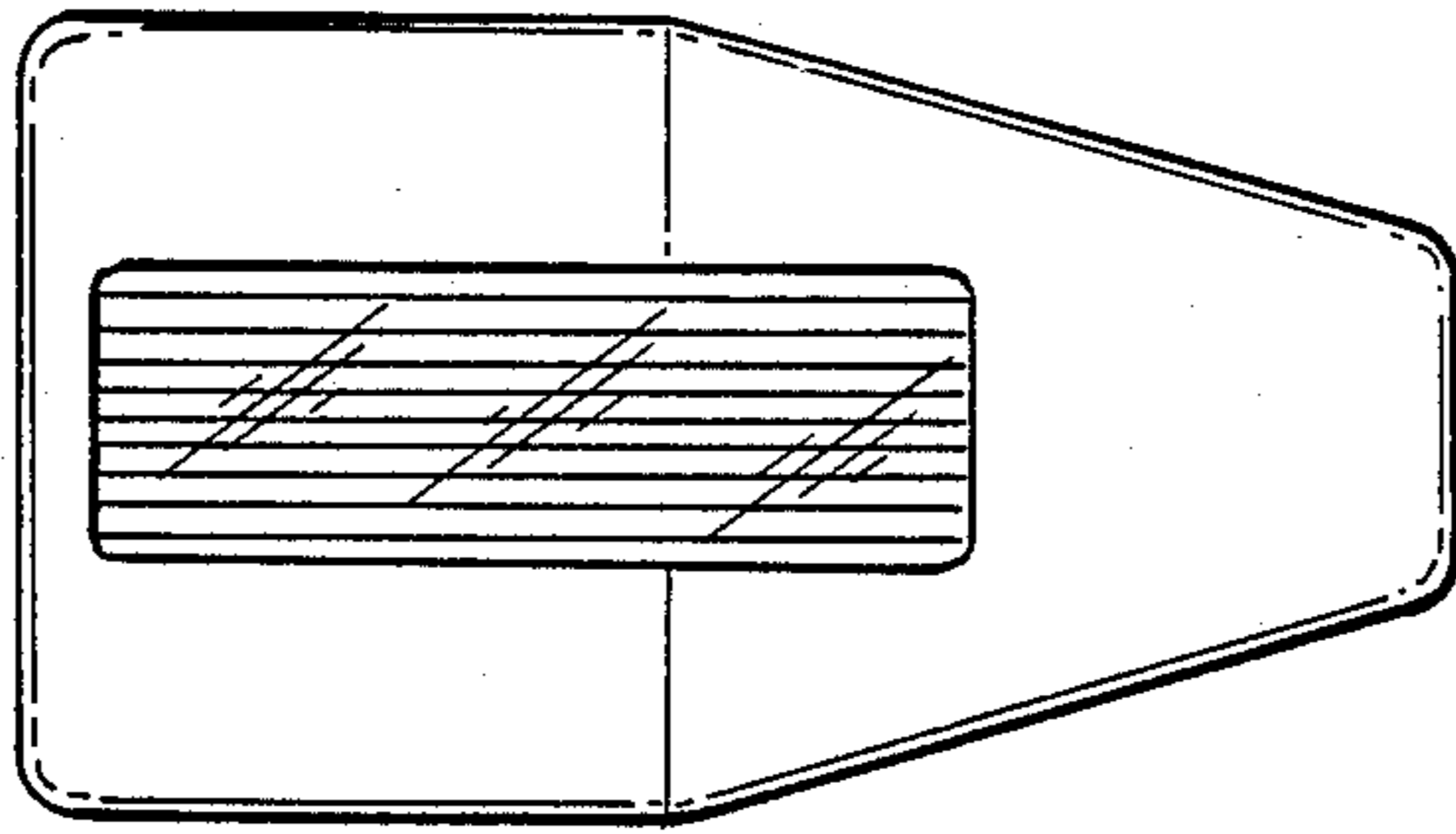


FIG. 3

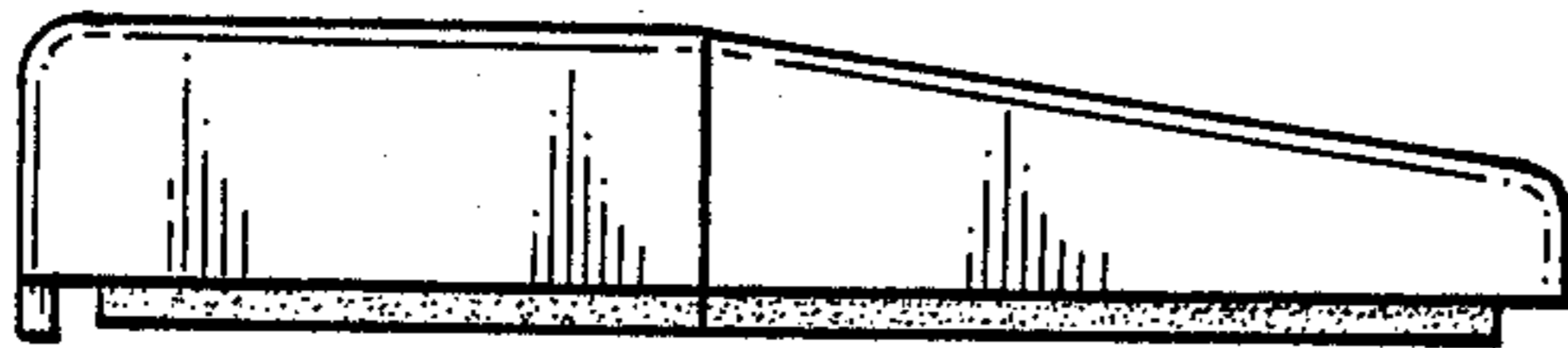


FIG. 4

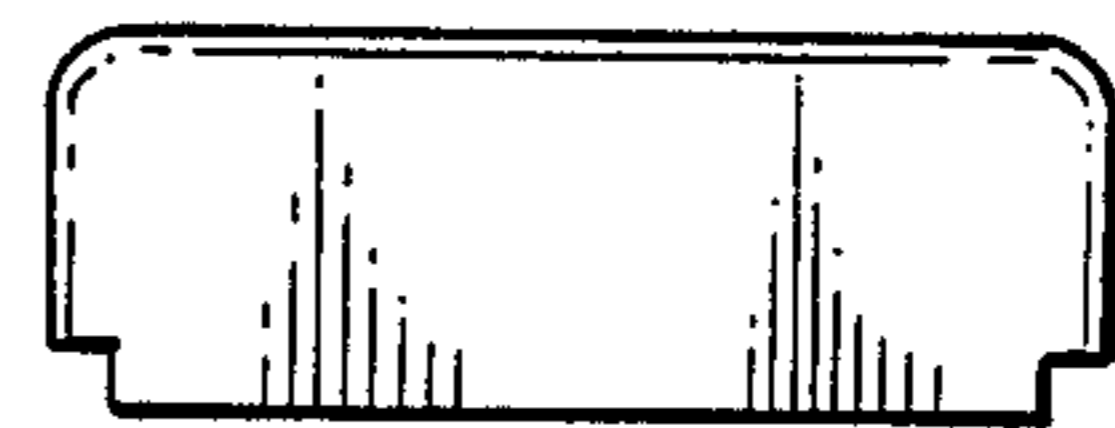


FIG. 5



FIG. 6

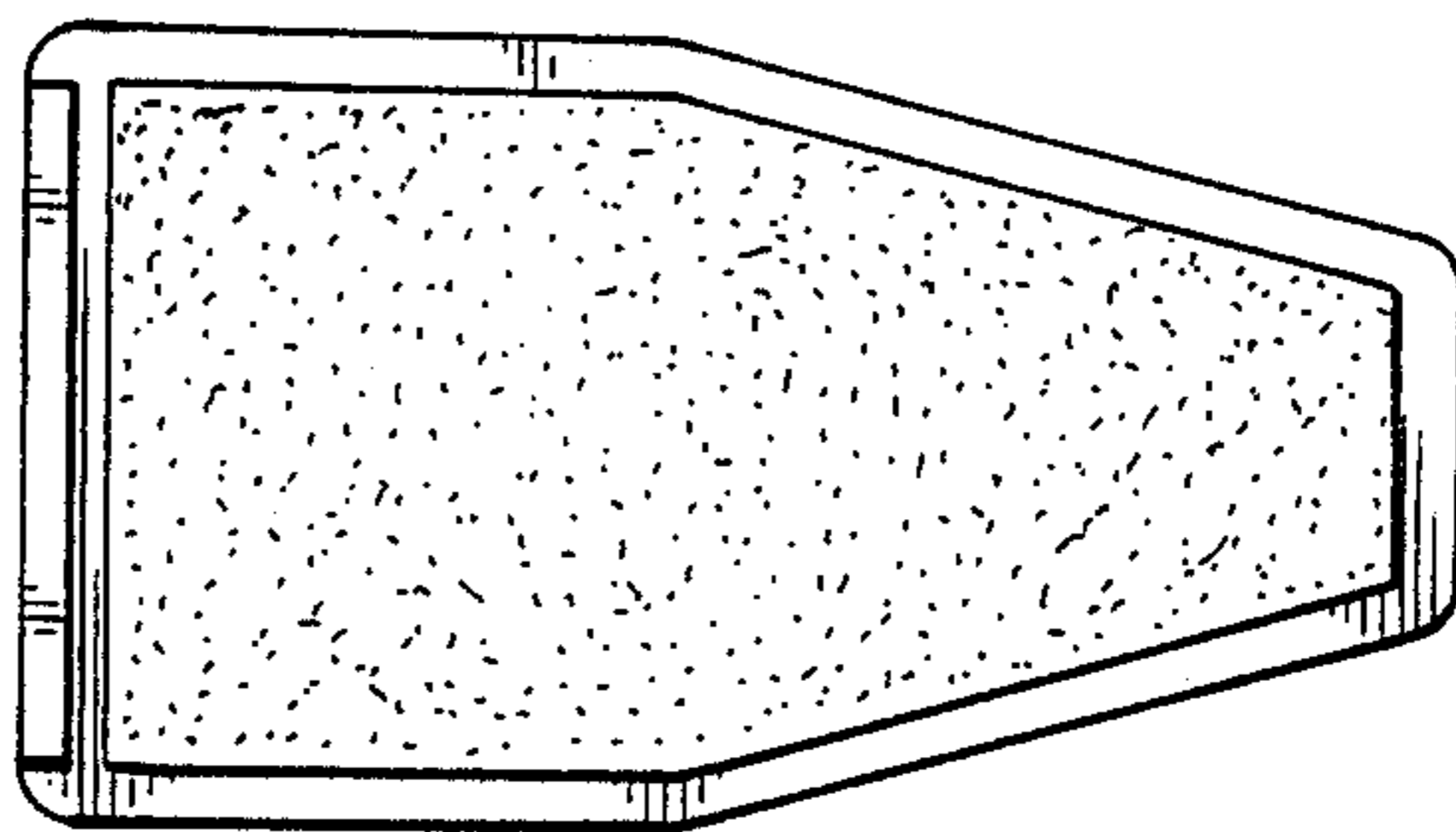


FIG. 7