

[54] **AUTOMOTIVE ROOF CARRIER**

[75] **Inventor: Masashi Kamaya, Tokyo, Japan**

[73] **Assignee: PIAA Corporation, Tokyo, Japan**

[\*\*] **Term: 14 Years**

[21] **Appl. No.: 890,744**

[22] **Filed: Jul. 30, 1986**

[52] **U.S. Cl. .... D12/157**

[58] **Field of Search ..... D12/157; 224/309, 315,  
224/317, 321-325, 327, 329, 331**

[56] **References Cited**

**U.S. PATENT DOCUMENTS**

4,705,198 11/1987 Kamaya ..... 224/322  
4,747,528 5/1988 Kamaya ..... 224/315

**OTHER PUBLICATIONS**

American Bicyclist & Motorcyclist, 2/86, p. 20, Yakima Roof Rack, lower left center of page.

American Bicyclist & Motorcyclist, 2/85, p. 18, Thule Bicycle Carrier racks.

American Bicyclist & Motorcyclist, 4/85, p. 22, Gutter Mounting Bracket, bottom left side of page.

*Primary Examiner*—James M. Gandy  
*Attorney, Agent, or Firm*—Oblon, Fisher, Spivak, McClelland & Maier

[57] **CLAIM**

The ornamental design for an automotive roof carrier, as shown.

**DESCRIPTION**

FIG. 1 is a front elevation view of the automotive roof carrier showing my new design;  
FIG. 2 is a top plan view thereof;  
FIG. 3 is a bottom plan view thereof;  
FIG. 4 is a right side elevation view thereof; and  
FIG. 5 is a perspective view thereof.

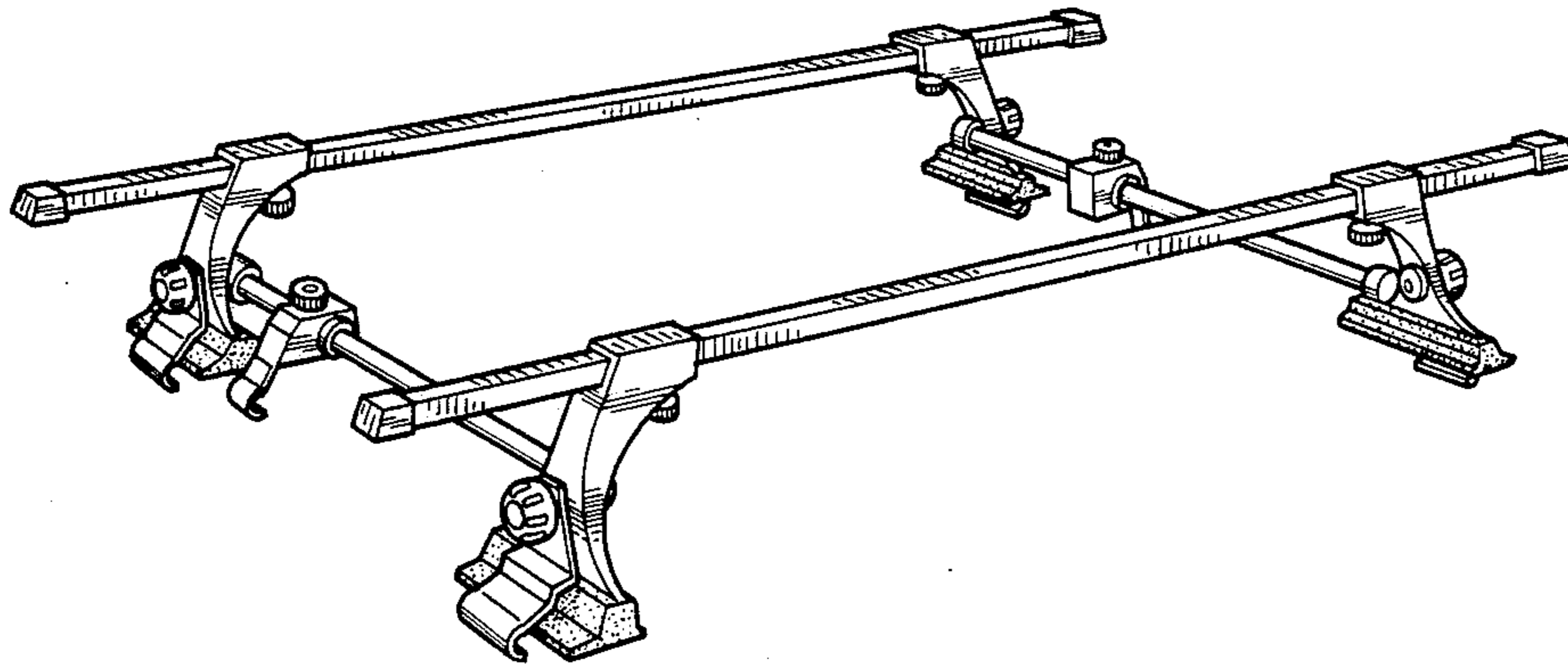


FIG. 1

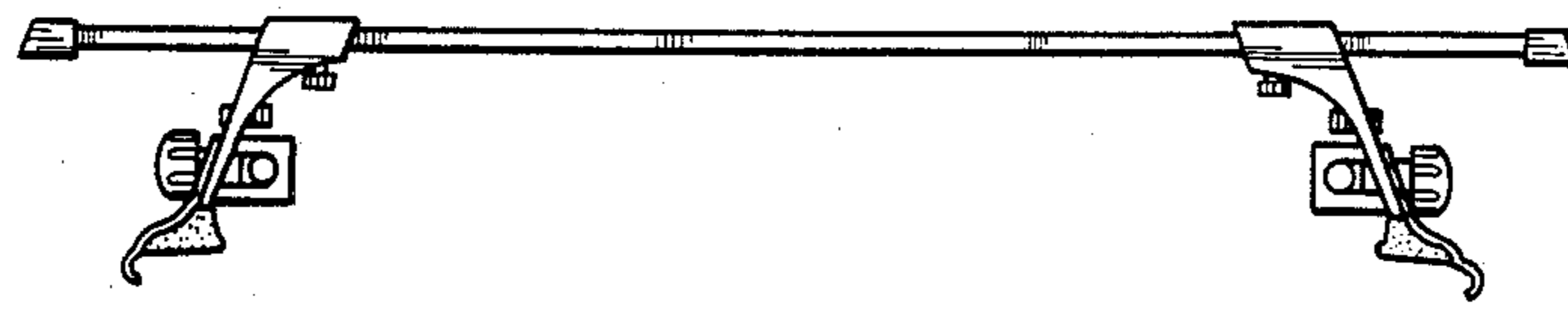


FIG. 2

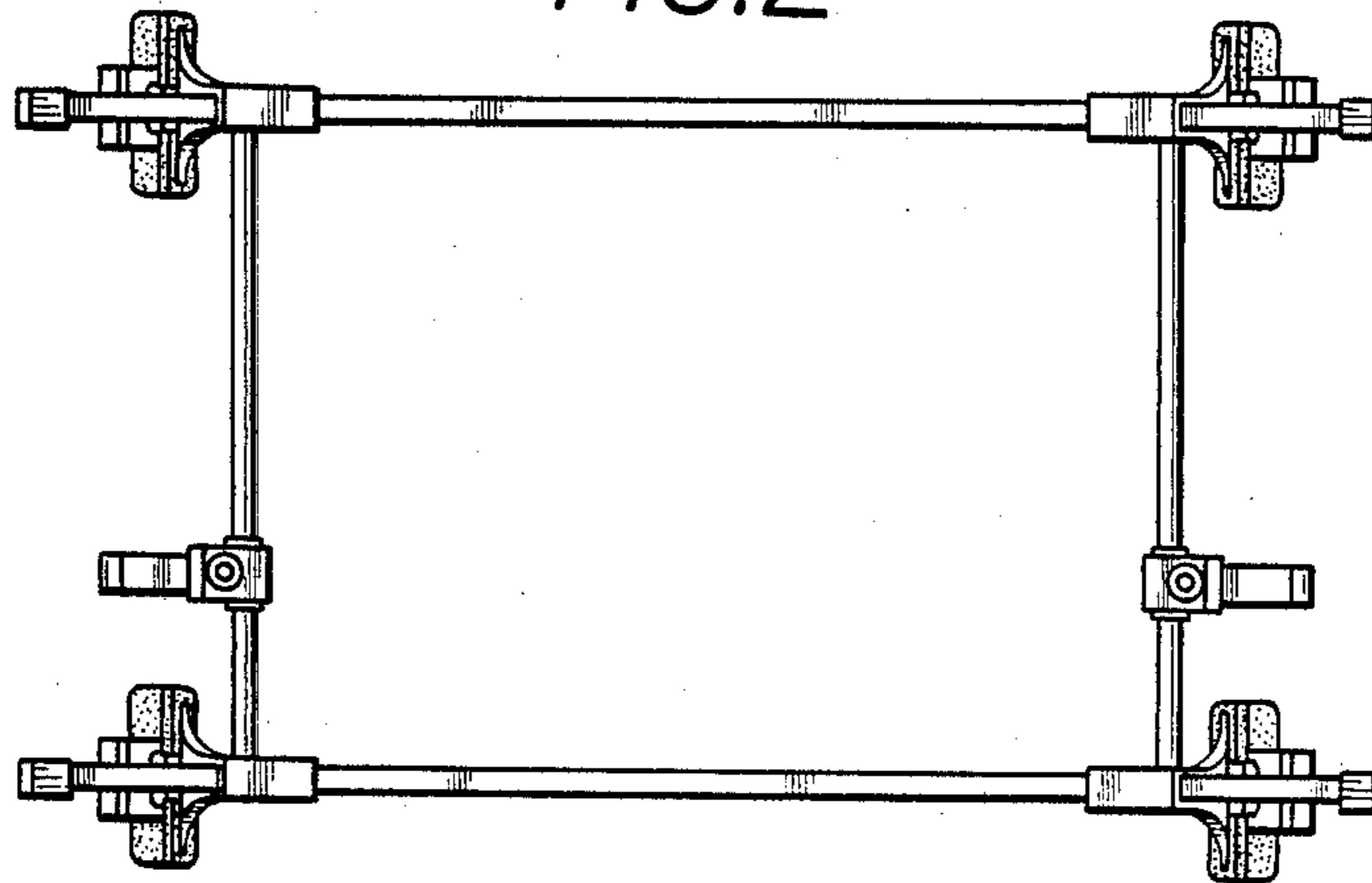


FIG. 3

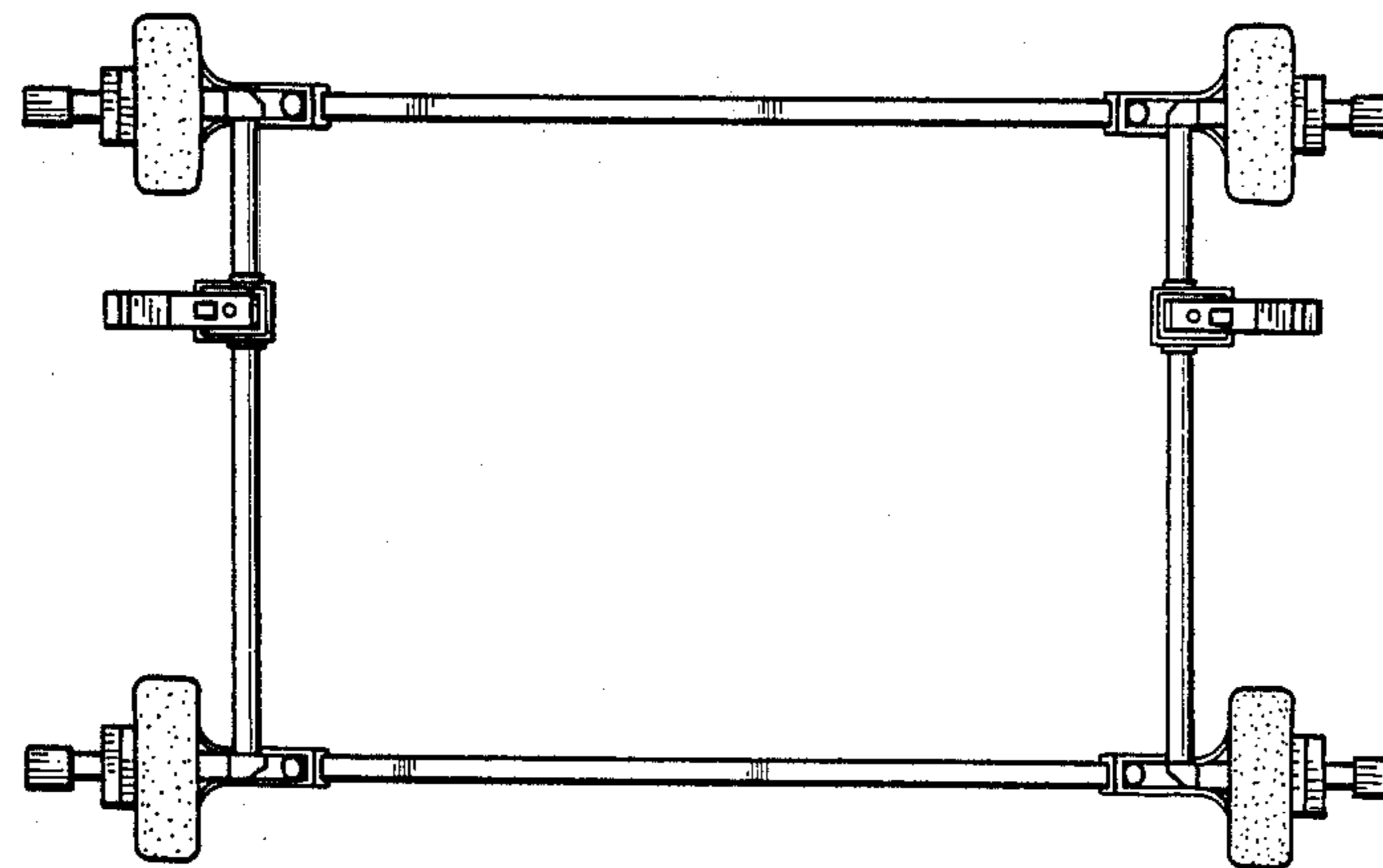


FIG. 4

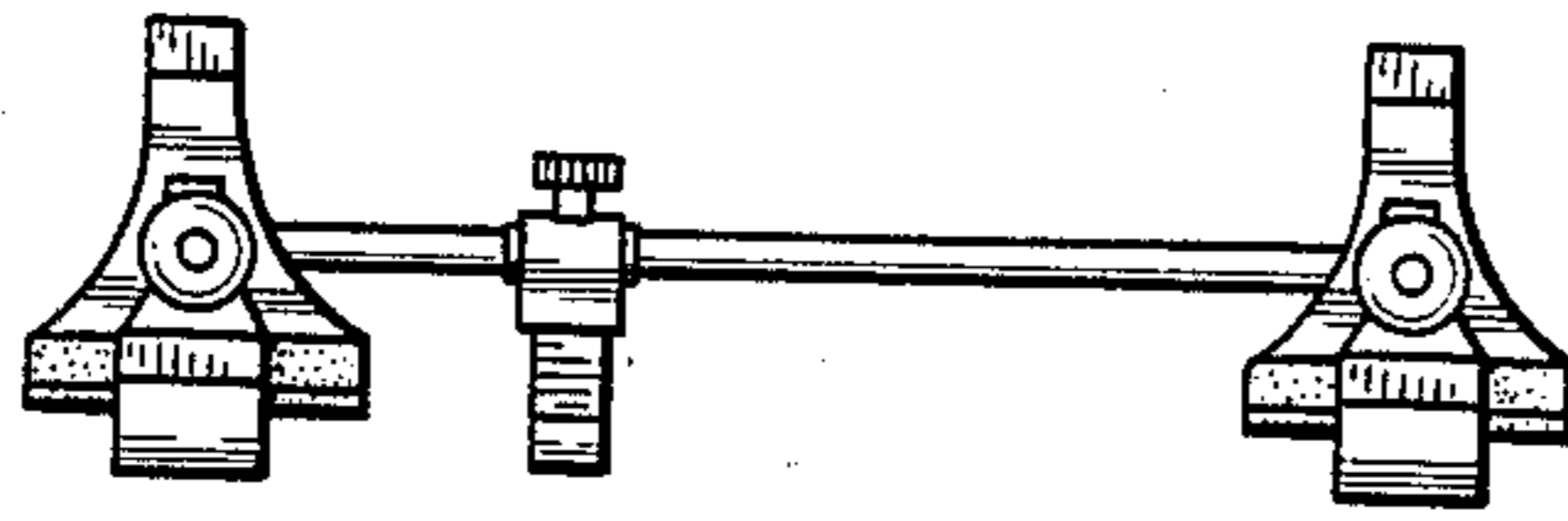


FIG. 5

