

[54] **CIRCUIT ANALYZER**

[75] **Inventor: Frederic W. Schwartz, Providence, R.I.**

[73] **Assignee: Cable Electric Products, Inc., Providence, R.I.**

[**] **Term: 14 Years**

[21] **Appl. No.: 867,708**

[22] **Filed: May 27, 1986**

[52] **U.S. Cl. D10/78; D10/102**

[58] **Field of Search D10/75, 78, 102, 103; 324/133, 158 R, 158 F, 73 R, 508-511**

[56] **References Cited**

U.S. PATENT DOCUMENTS

- D. 139,694 12/1944 Oelrich D10/102
D. 180,475 6/1957 Dickinson D10/77

- D. 228,914 10/1973 Mackenzie D10/75
3,416,074 12/1968 Schoonover 324/508
4,152,635 5/1979 Chaffee 324/508
4,280,092 7/1981 Wells 324/133 X

Primary Examiner—Nelson C. Holtje
Attorney, Agent, or Firm—Paul J. Sutton

[57] **CLAIM**

The ornamental design for a circuit analyzer, as shown and described.

DESCRIPTION

FIG. 1 is a front and top-left perspective view of a circuit analyzer showing my new design;
FIG. 2 is a top plan view thereof;
FIG. 3 is a front elevational view thereof;
FIG. 4 is a right side elevational view thereof;
FIG. 5 is a rear elevational view thereof;
FIG. 6 is a bottom plan view thereof.

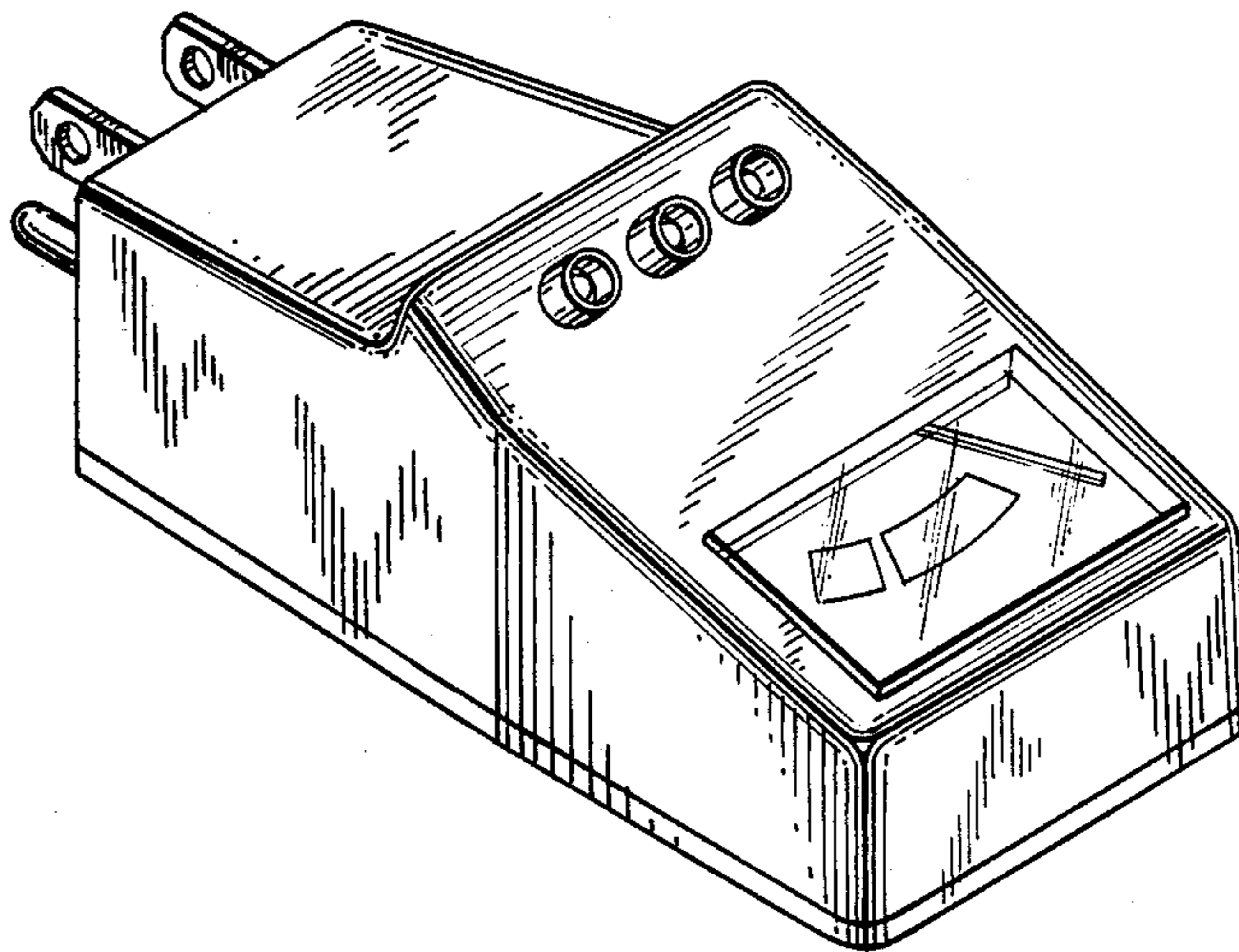


FIG. 2

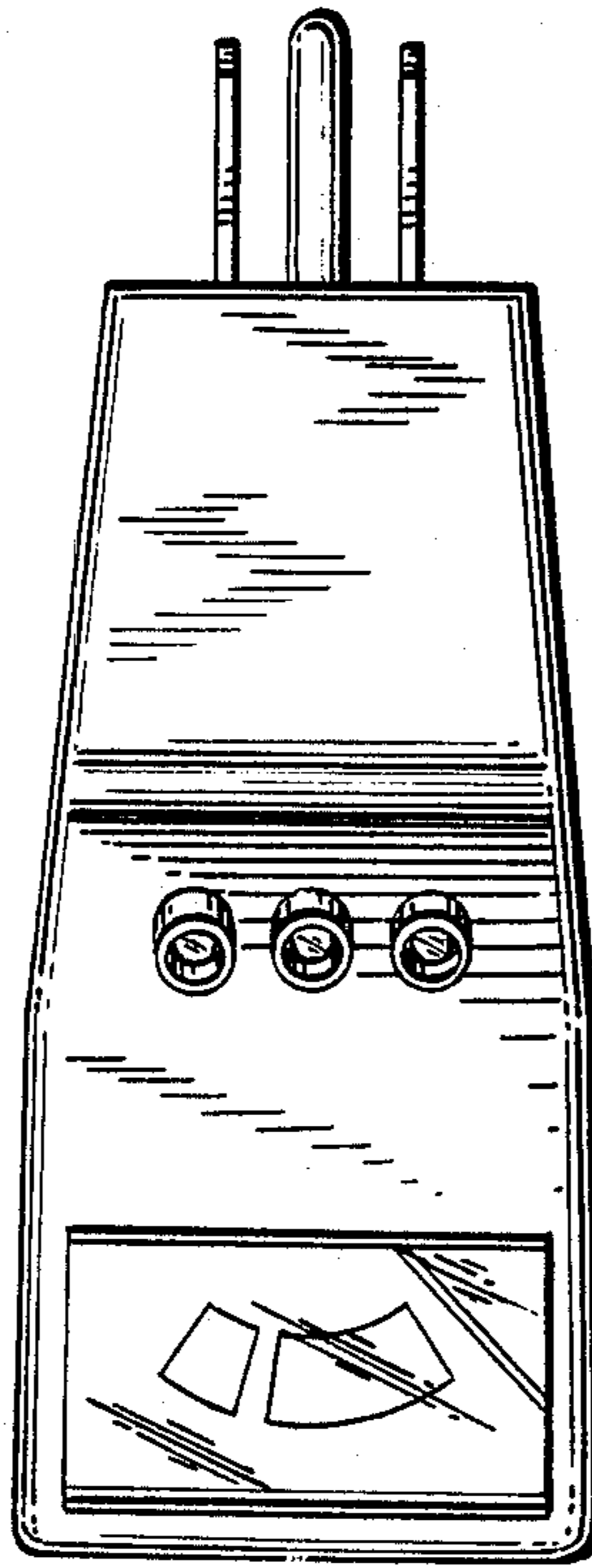


FIG. 3

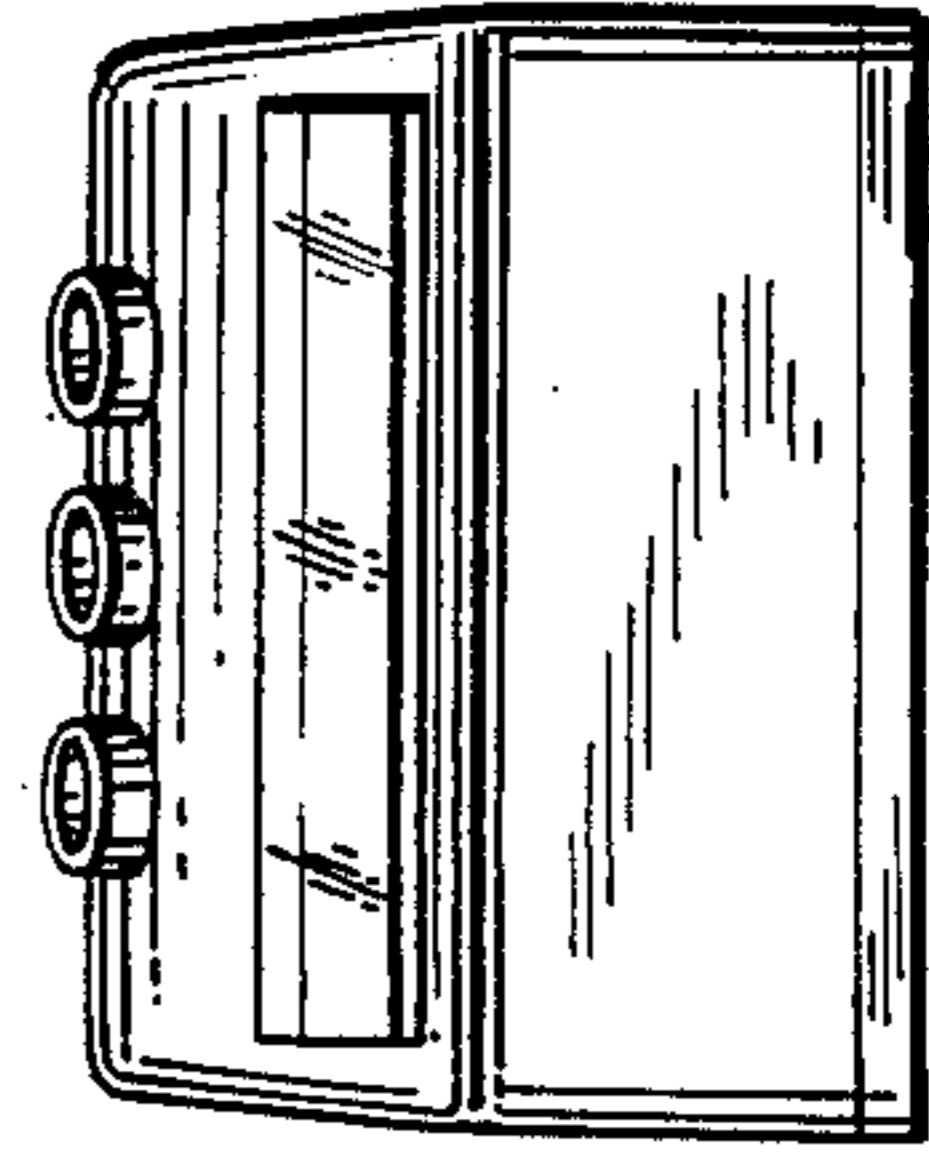


FIG. 1

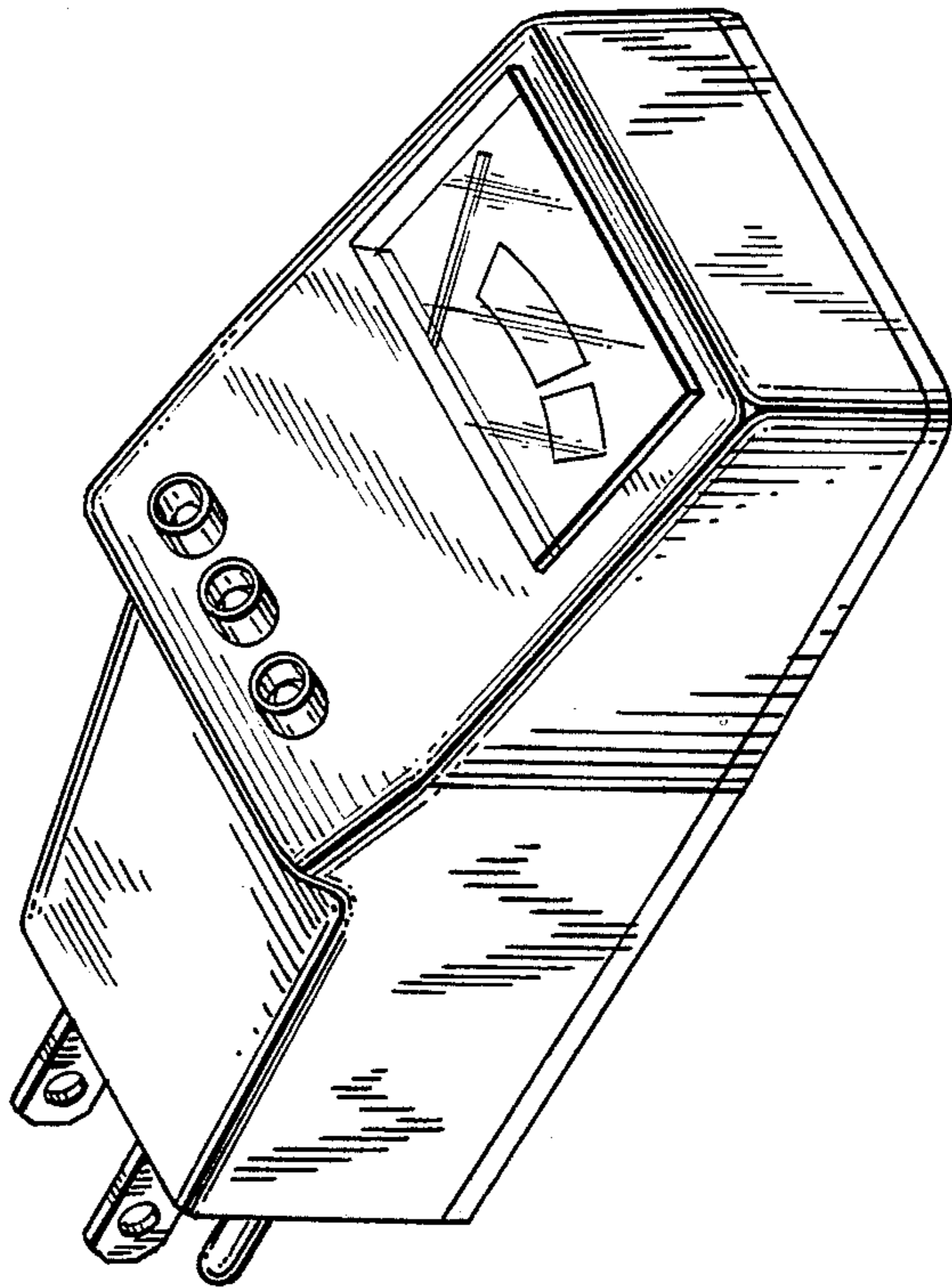


FIG. 5

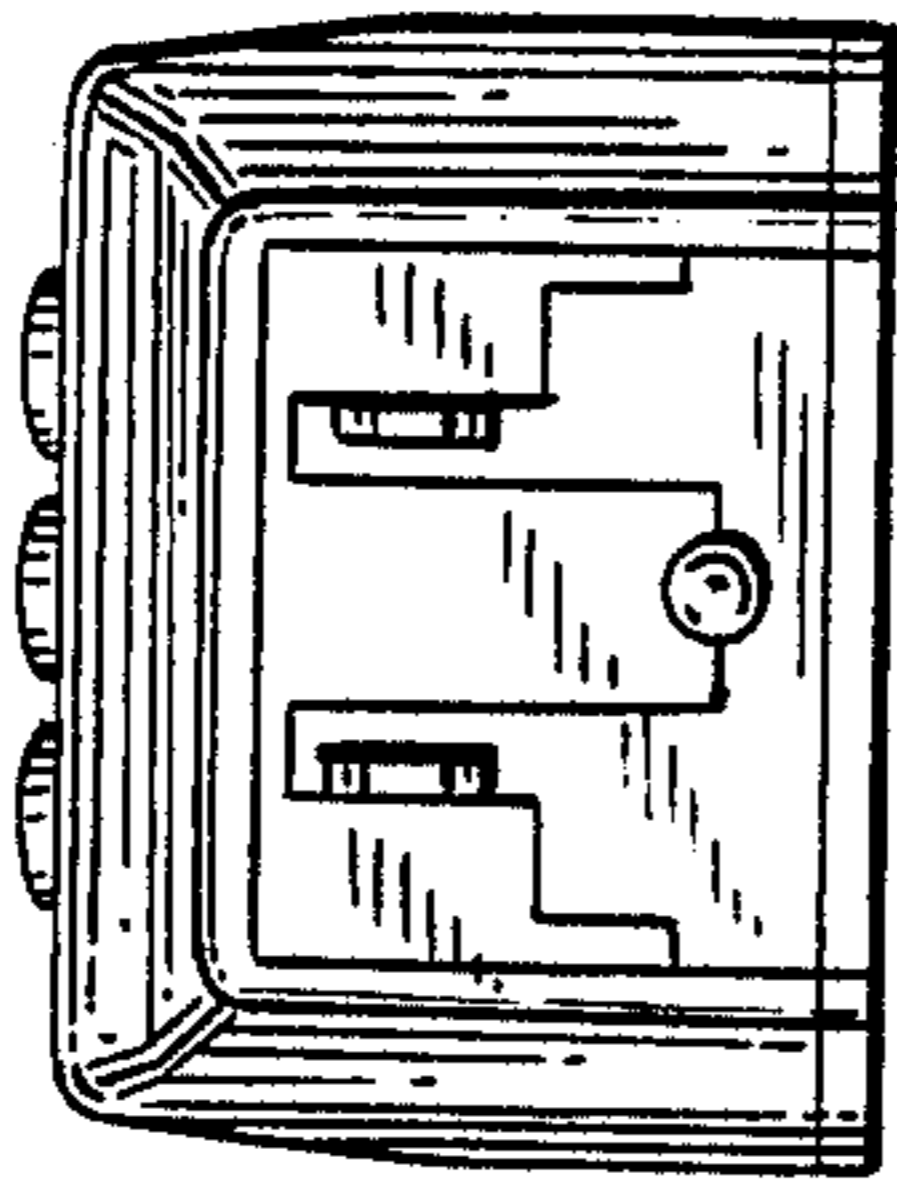


FIG. 4

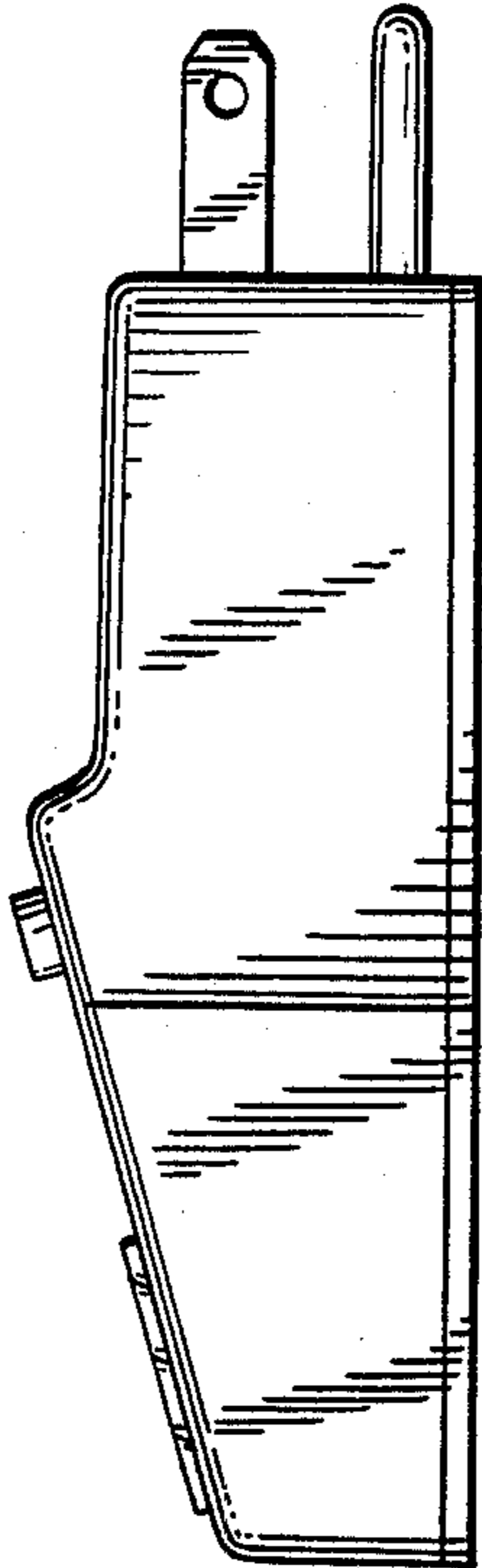


FIG. 6

