

United States Patent [19]

Raby

[11] Patent Number: Des. 300,802

[45] Date of Patent: ** Apr. 25, 1989

[54] HOLDER FOR TILE LAYER'S TOOLS

[76] Inventor: Clarence W. Raby, 27396 Los Amigos La. SE., Bonita Springs, Fla. 33923

[**] Term: 14 Years

[21] Appl. No.: 751,677

[22] Filed: Jul. 3, 1985

[52] U.S. Cl. D8/71

[58] Field of Search D8/14, 71; 294/137; 211/70.1, 70.8, 71; 269/131, 130, 328

[56] References Cited

U.S. PATENT DOCUMENTS

1,505,487 8/1924 Park 132/73.5
2,431,589 11/1947 Shuler, Jr. 269/131

2,536,797 1/1951 Cooke 211/70.8
3,746,460 7/1973 Lipe D8/71 X
3,786,932 1/1974 Smith 211/70.1
3,857,598 12/1974 Jelich 294/137

Primary Examiner—Bruce W. Dunkins
Assistant Examiner—Clare E. Heflin
Attorney, Agent, or Firm—Merrill N. Johnson

[57] CLAIM

The ornamental design for a holder for tile layer's tools, as shown.

DESCRIPTION

FIG. 1 is a front perspective view of the holder for tile layer's tools showing my new design;
FIG. 2 is a rear perspective view thereof;
FIG. 3 is a top plan view thereof;
FIG. 4 is a bottom plan view thereof;
FIG. 5 is a side elevational view thereof.

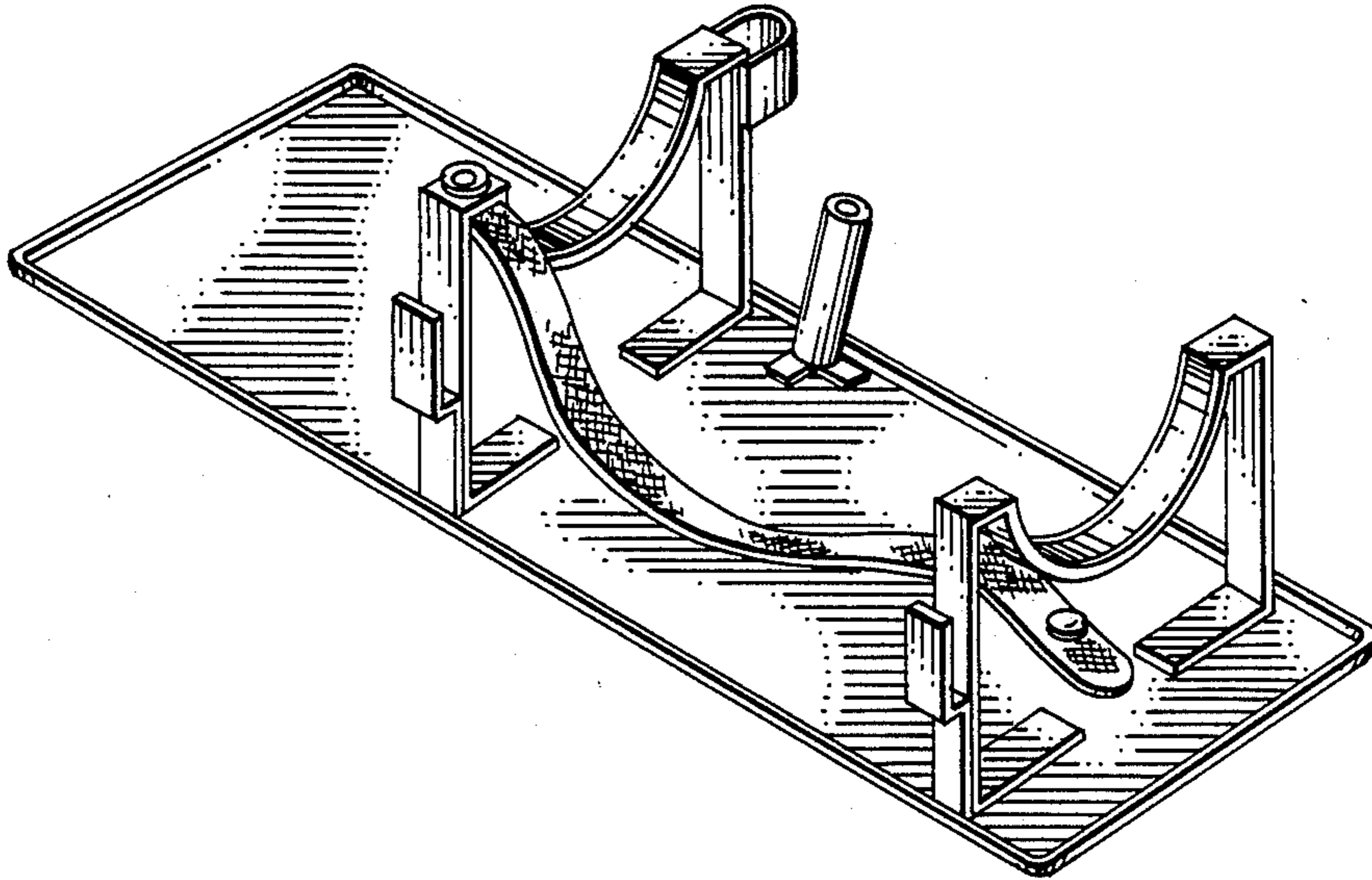


FIG. 1

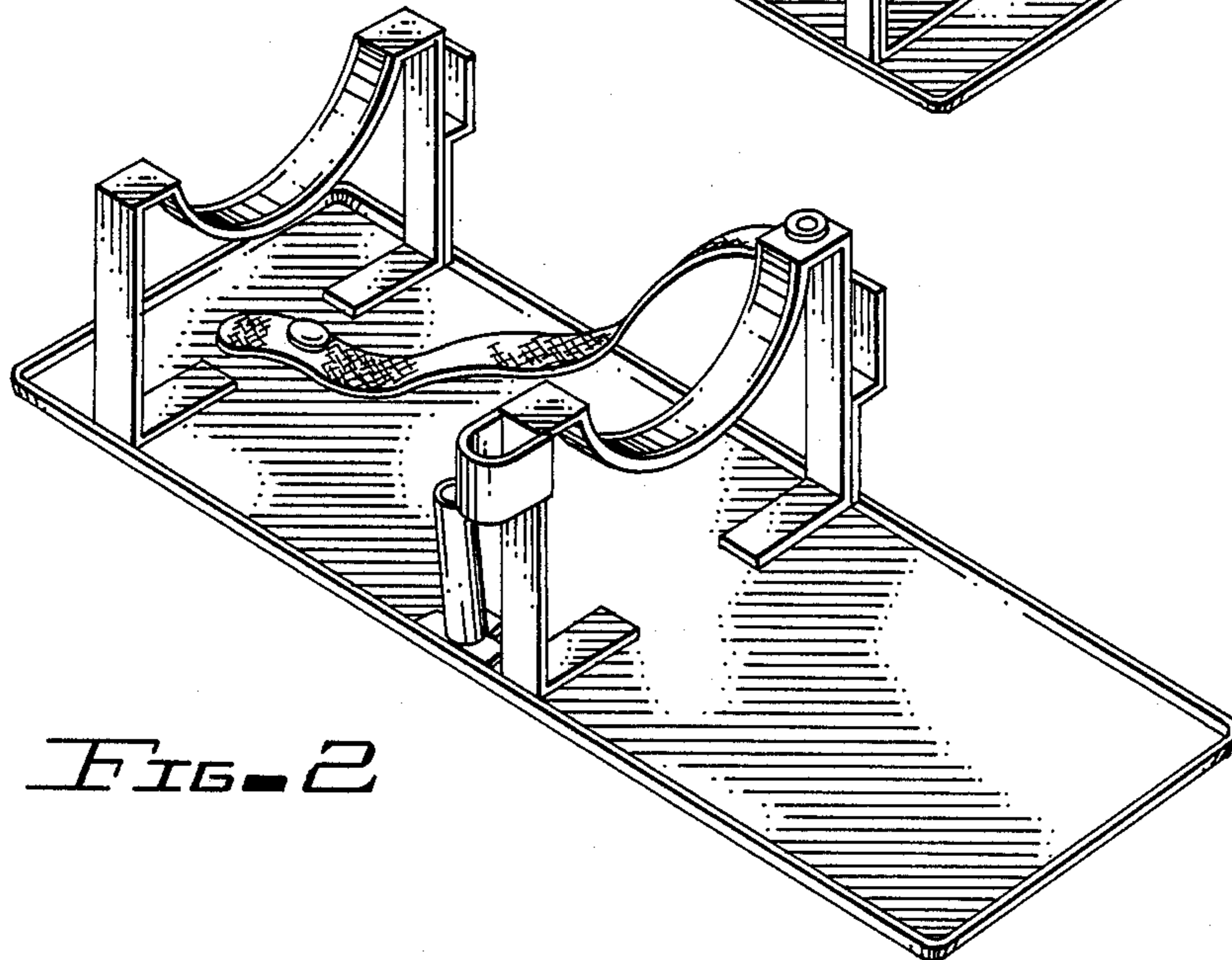
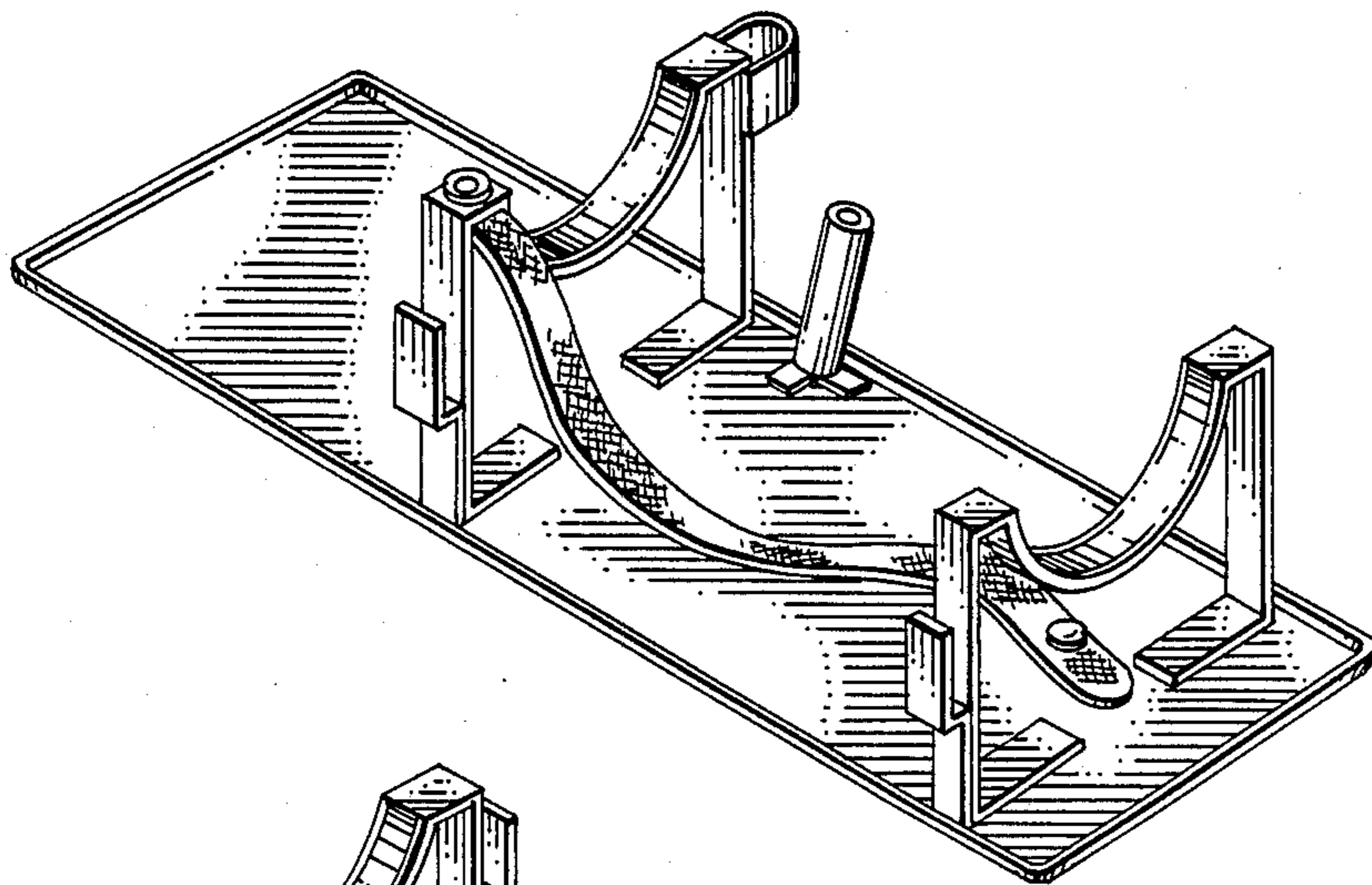


FIG. 2

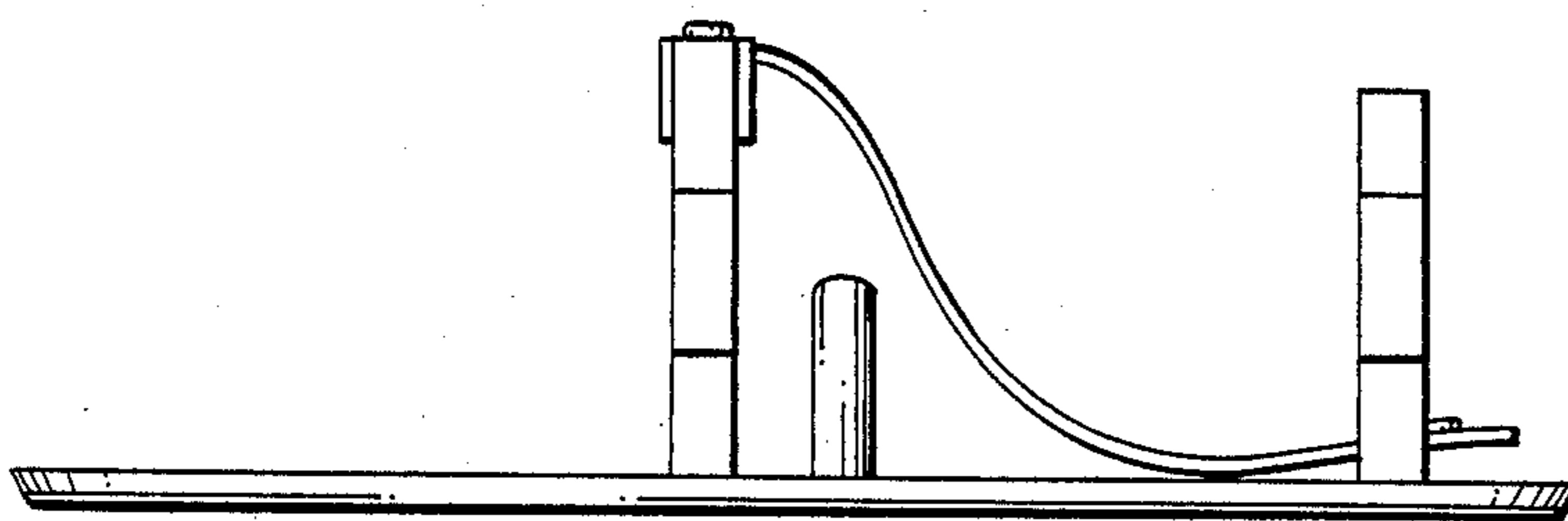


FIG. 5

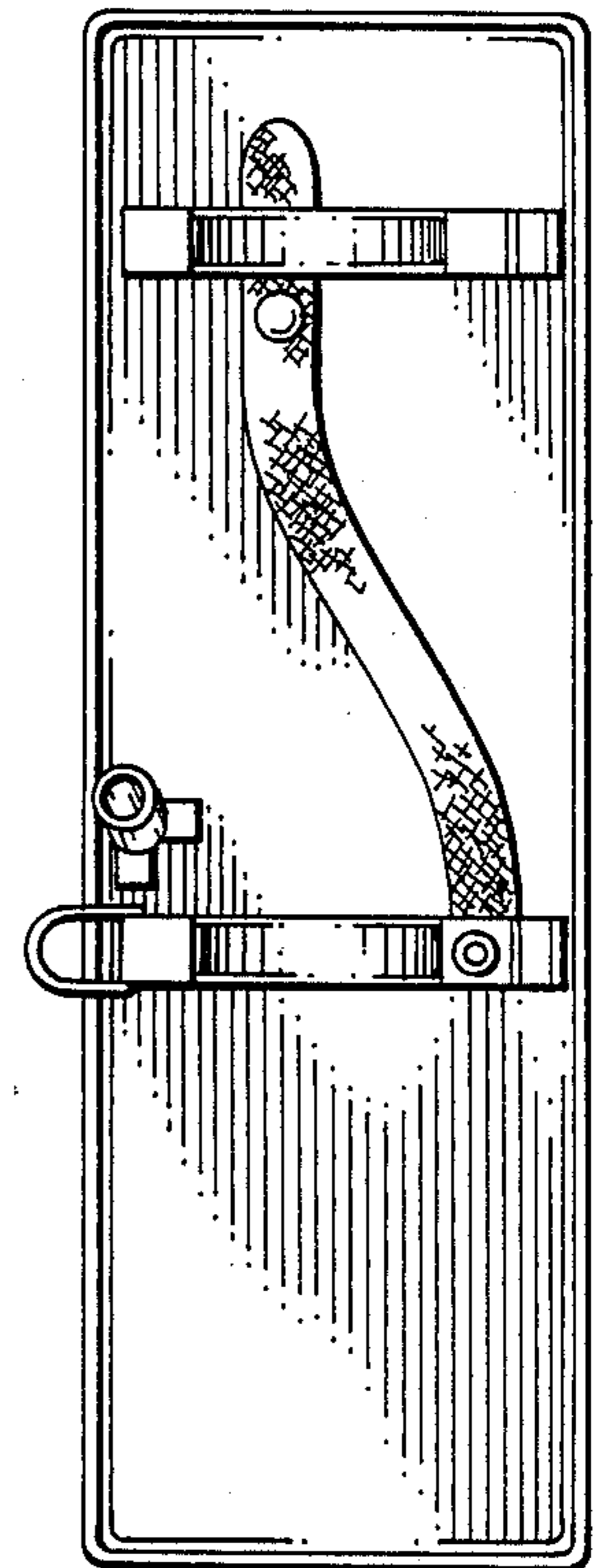


FIG. 3

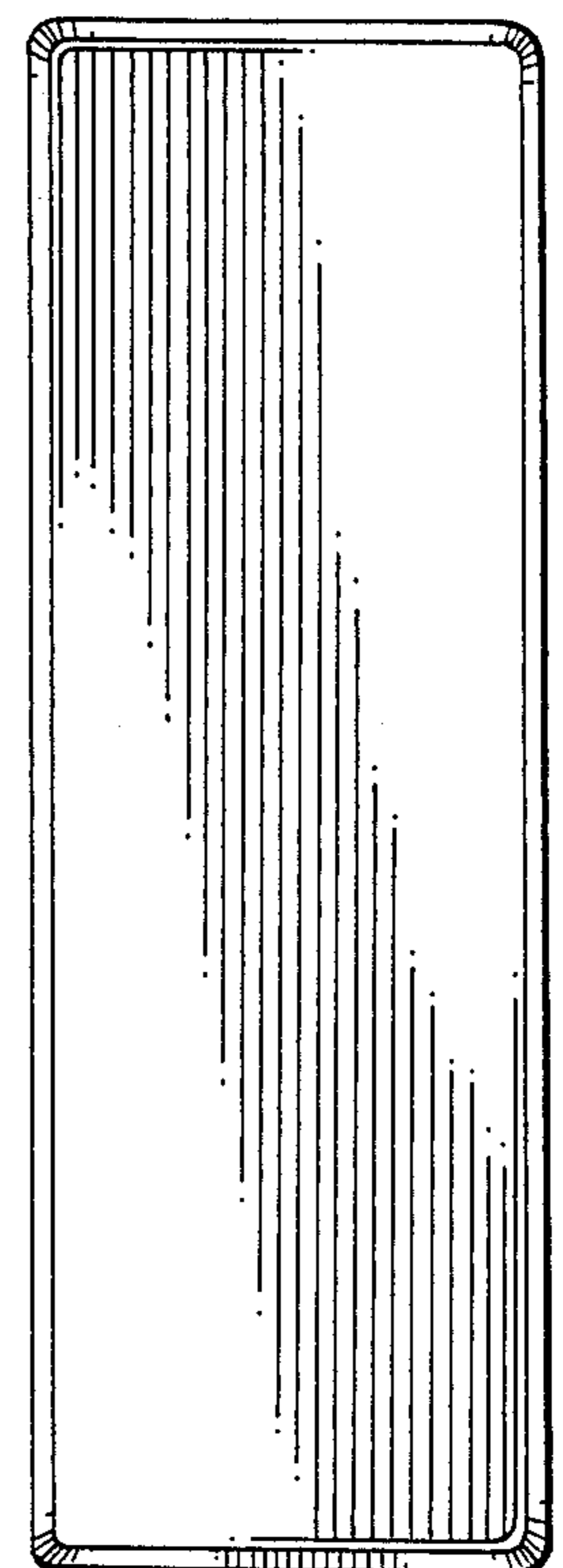


FIG. 4