

United States Patent [19]
Tow

[11] **Patent Number: Des. 300,798**

[45] **Date of Patent: ** Apr. 25, 1989**

[54] **ELECTRIC TOASTER**

[75] **Inventor: Gregory M. Tow, Randwick, Australia**

[73] **Assignee: Sunbeam Corporation Limited, New South Wales, Australia**

[**] **Term: 14 Years**

[21] **Appl. No.: 897,100**

[22] **Filed: Aug. 15, 1986**

[30] **Foreign Application Priority Data**

Mar. 19, 1986 [AU] Australia 452986
[52] **U.S. Cl. D7/330**
[58] **Field of Search D7/330, 329, 328, 390, D7/350; 99/385, 388, 389, 391, 393**

[56] **References Cited**

U.S. PATENT DOCUMENTS

D. 226,242 1/1973 Weiss D7/330
D. 233,927 12/1974 Naito et al. D7/330
D. 297,391 8/1988 Ansel D7/330
3,452,670 7/1969 Huck et al. 99/391 X

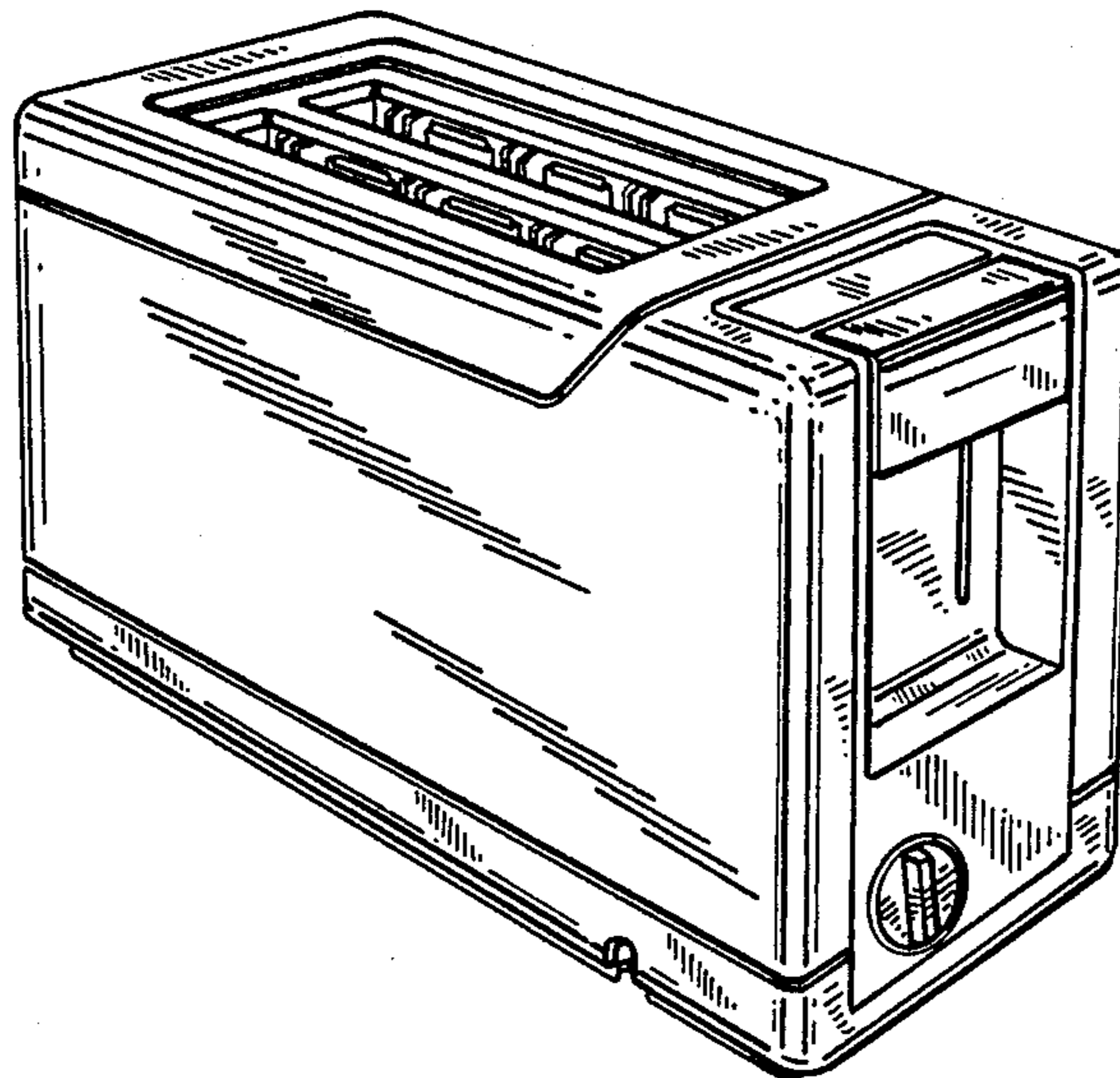
Primary Examiner—Winifred E. Herrmann
Attorney, Agent, or Firm—Ladas & Parry

[57] **CLAIM**

The ornamental design for an electric toaster, as shown.

DESCRIPTION

FIG. 1 is a perspective view of an electric toaster showing my new design;
FIG. 2 is a top plan view thereof
FIG. 3 is a bottom plan view thereof;
FIG. 4 is a front elevational view thereof;
FIG. 5 is a rear elevational view thereof;
FIG. 6 is a right side elevational view thereof and,
FIG. 7 is a left side elevational view thereof.



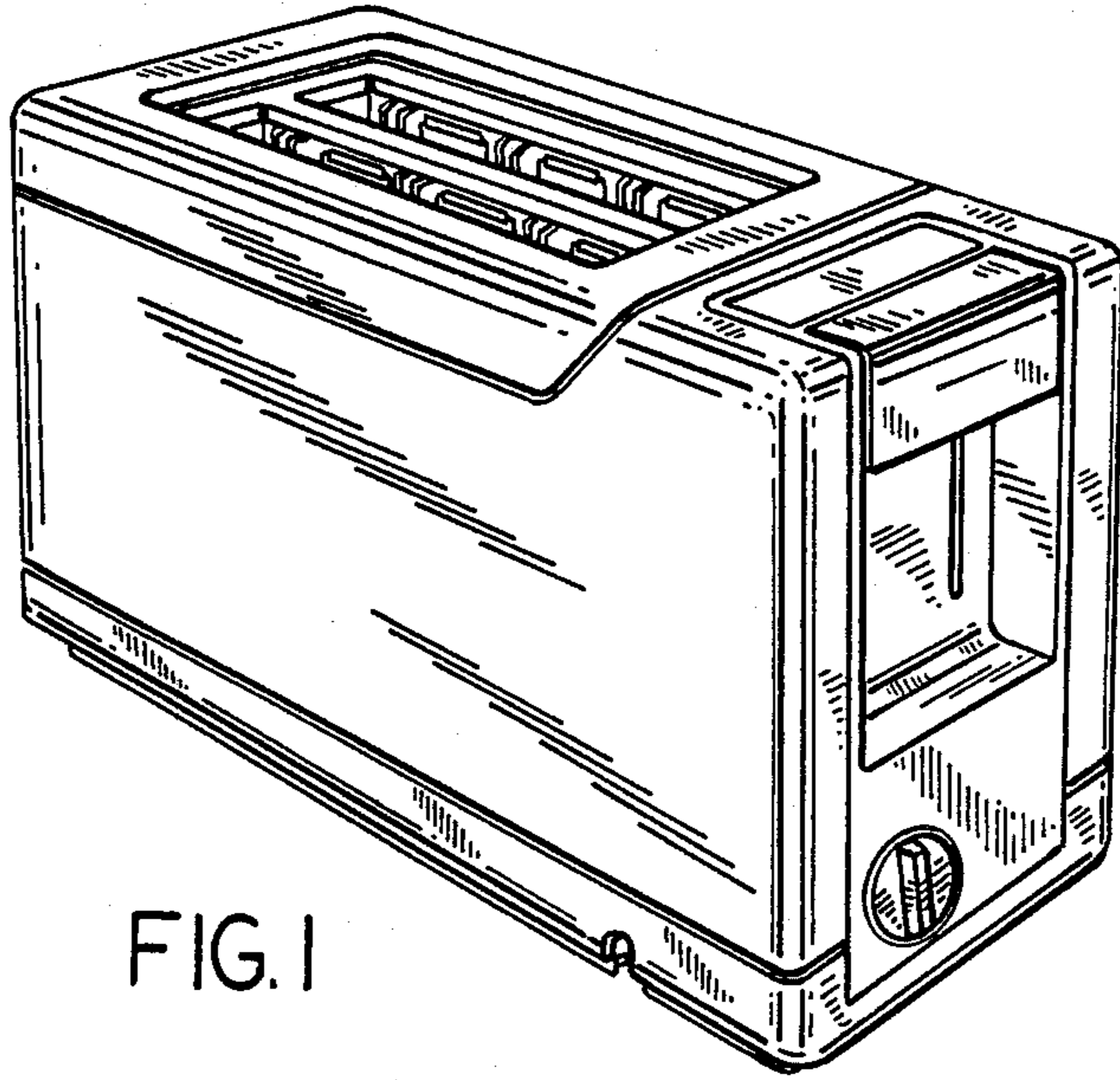


FIG. 1

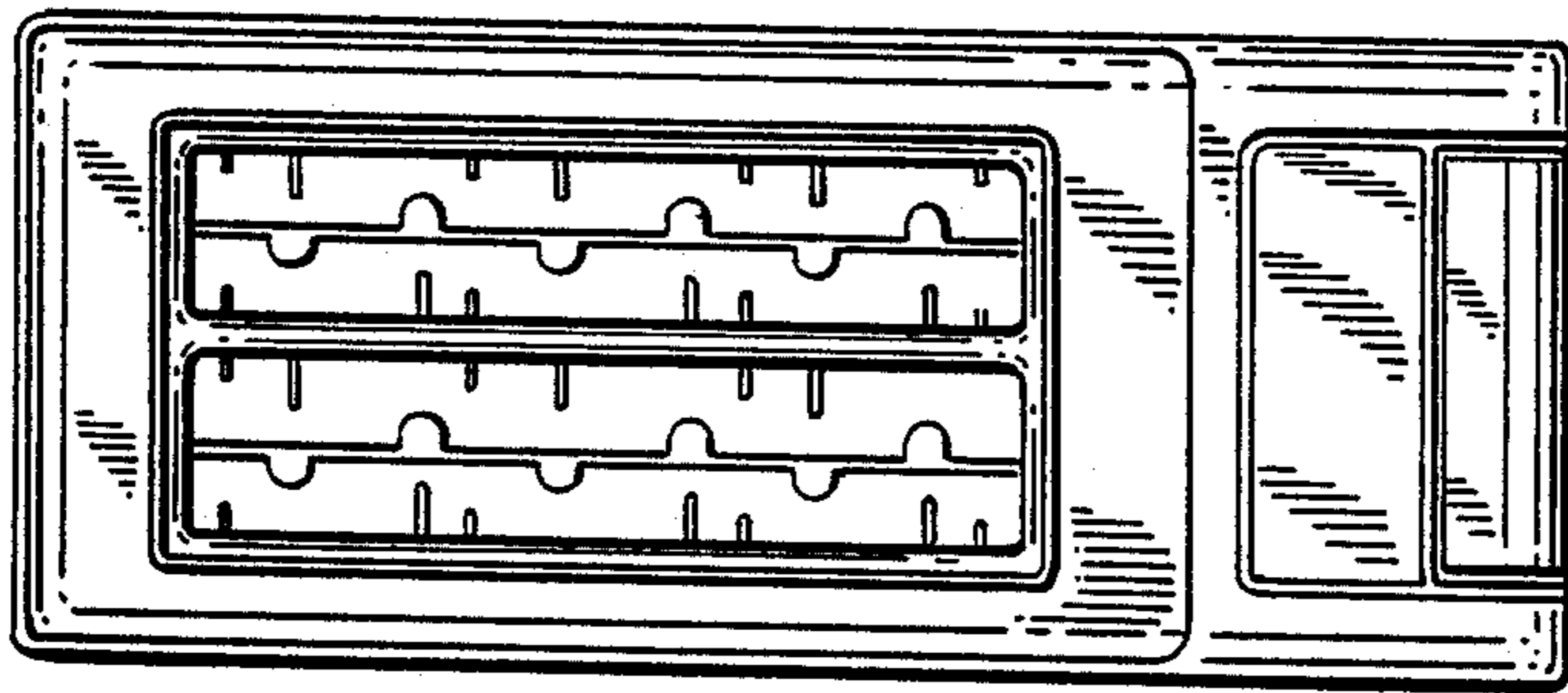


FIG. 2

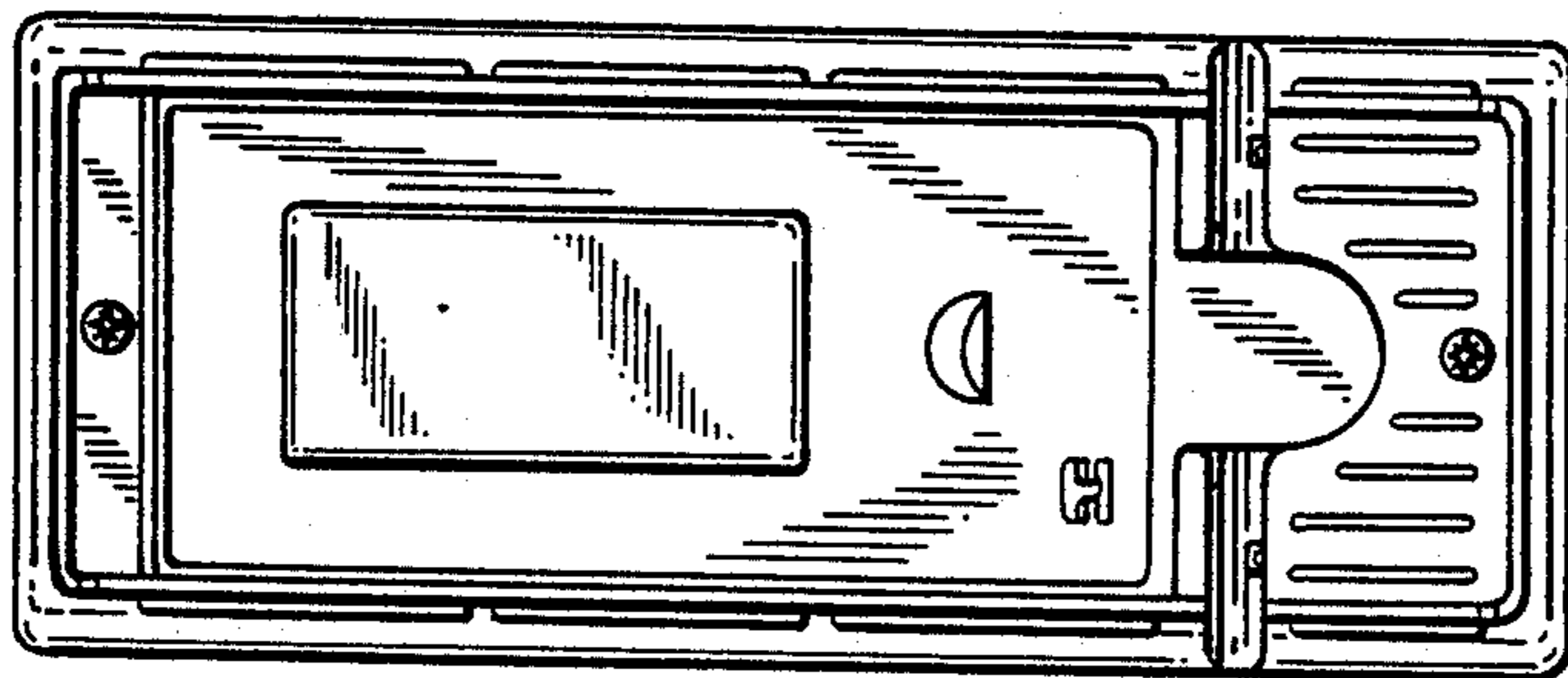


FIG. 3

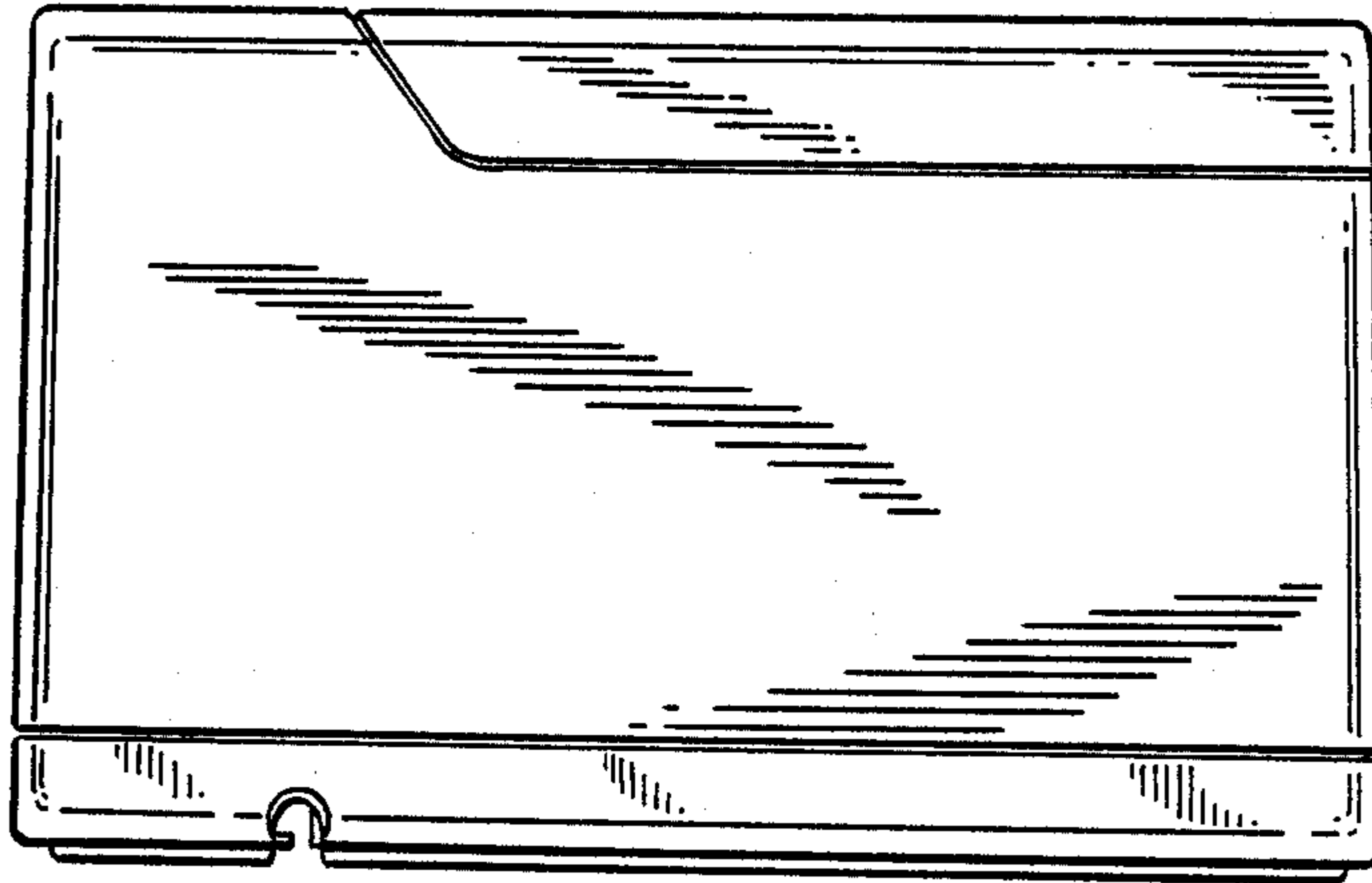


FIG. 5

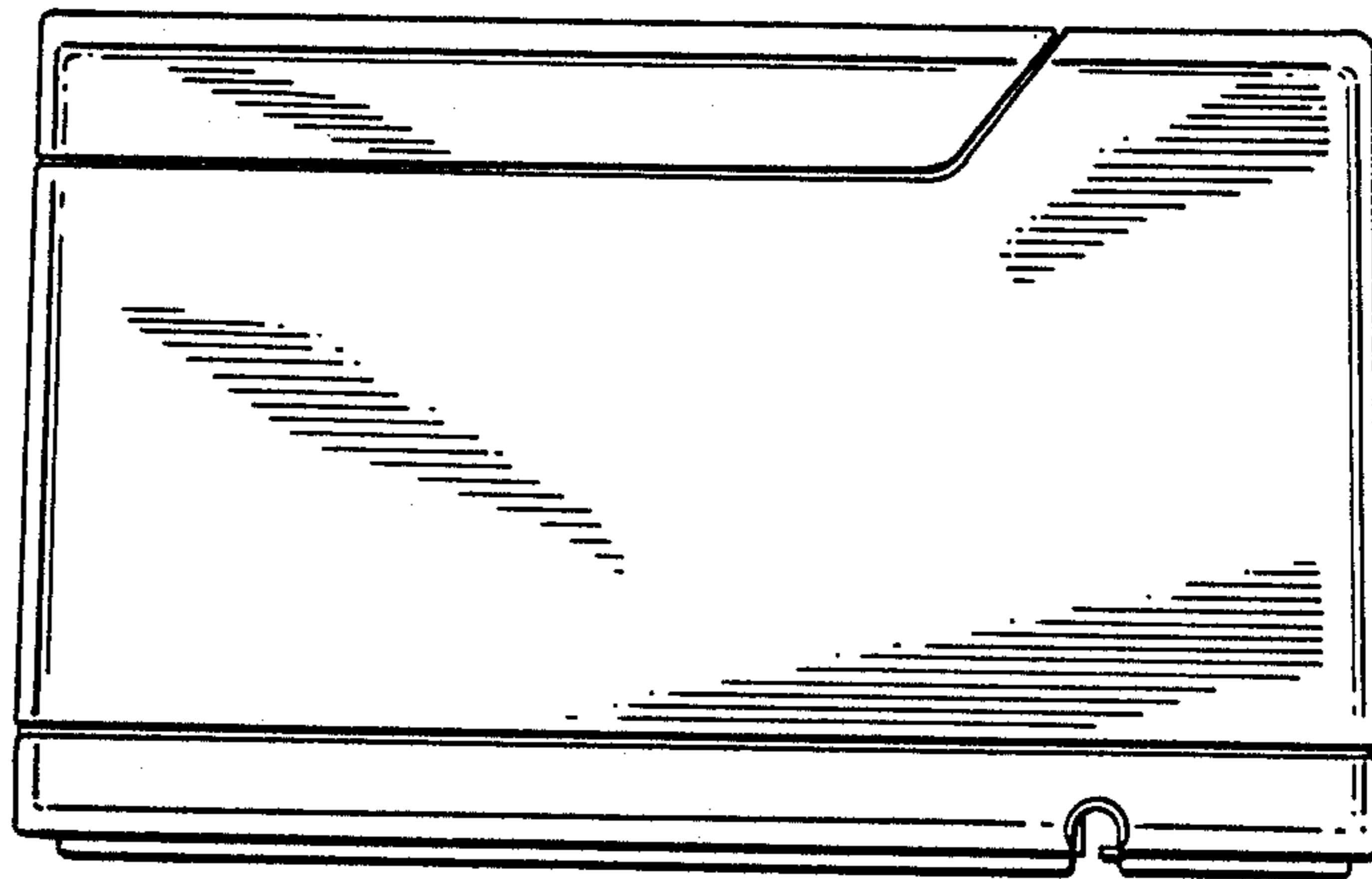


FIG. 4

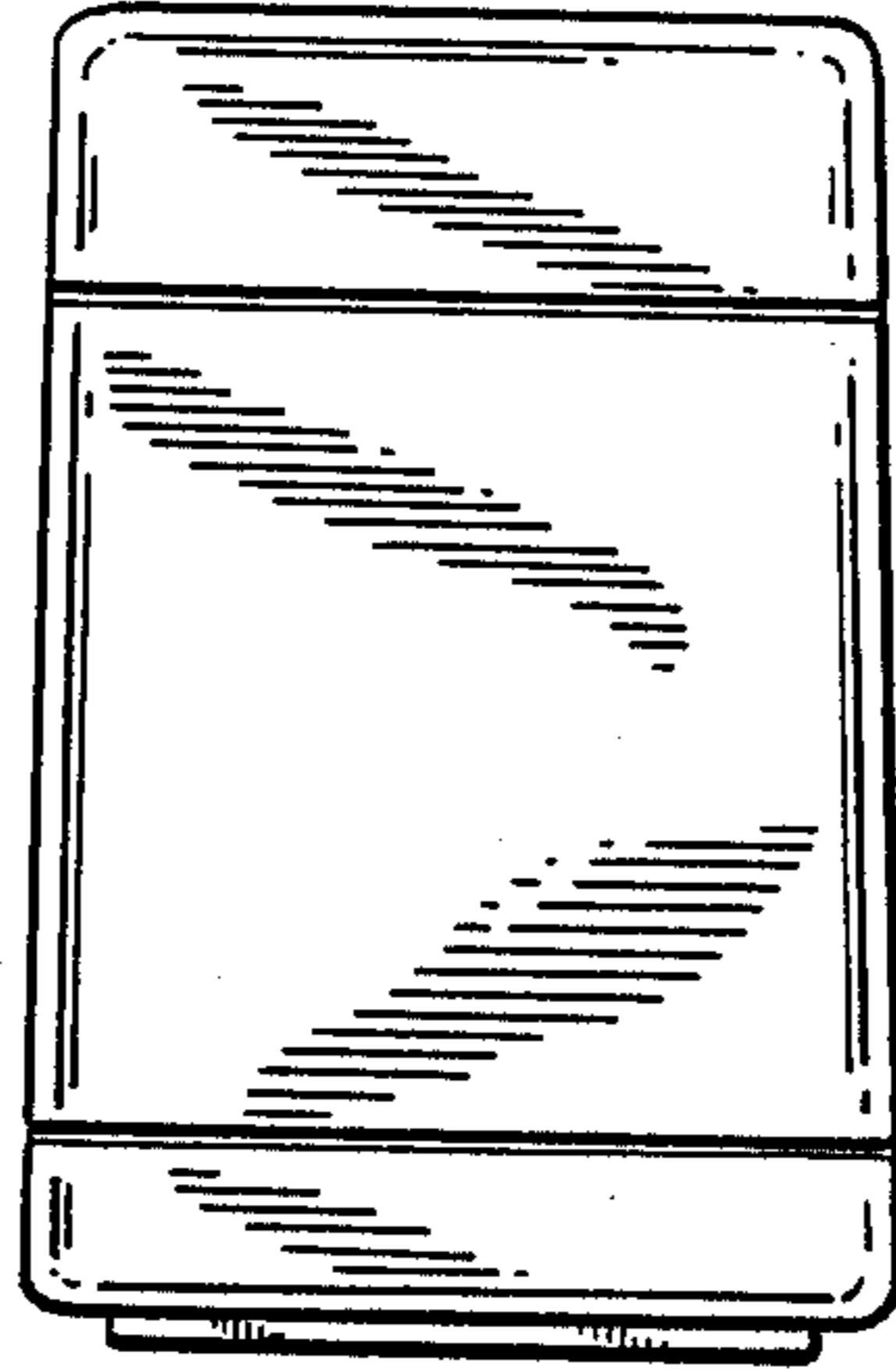


FIG. 7

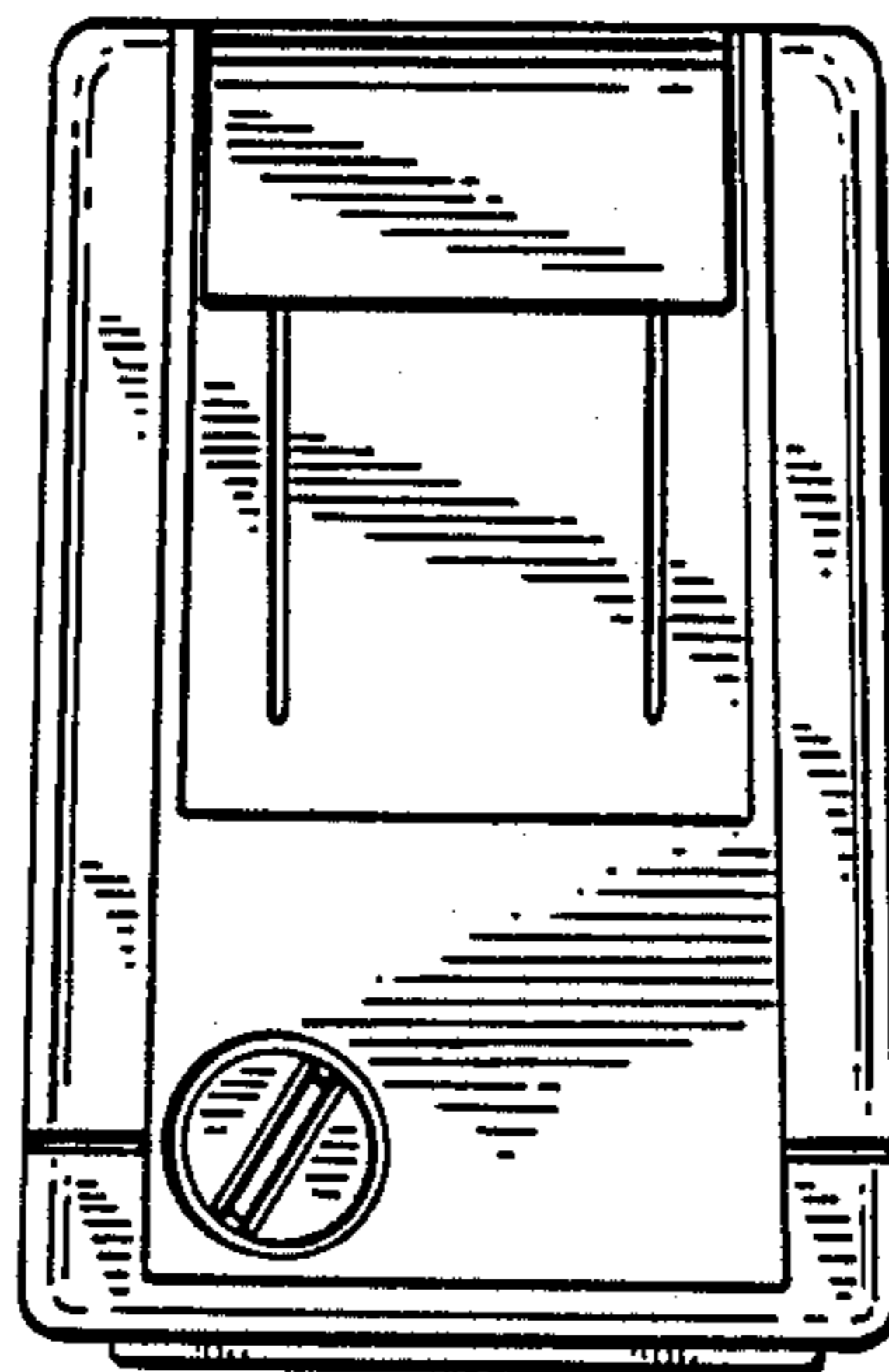


FIG. 6