

United States Patent [19]
Sorge et al.

[11] **Patent Number: Des. 300,785**
[45] **Date of Patent: ** Apr. 25, 1989**

[54] **TOOL CADDY**

[76] **Inventors: David Sorge, 1820 Dan St., Tyler, Tex. 75701; Michael A. Sorge, 402 Main St., Bridgeport, Ohio 43912**

[**] **Term: 14 Years**

[21] **Appl. No.: 647,836**

[22] **Filed: Sep. 6, 1984**

[52] **U.S. Cl. D3/74; D6/469**

[58] **Field of Search D3/30.1, 74, 75; 206/372, 379; 312/DIG. 33; D6/469; 211/69, 70.6**

[56] **References Cited**

U.S. PATENT DOCUMENTS

D. 169,077 3/1953 Mains, Jr. D6/469
D. 199,565 11/1964 Jones et al. D6/469

D. 222,315 10/1971 Abraham D3/74
3,726,393 4/1973 Thompson 211/70.6 X
4,266,835 5/1981 Schmidt D3/74

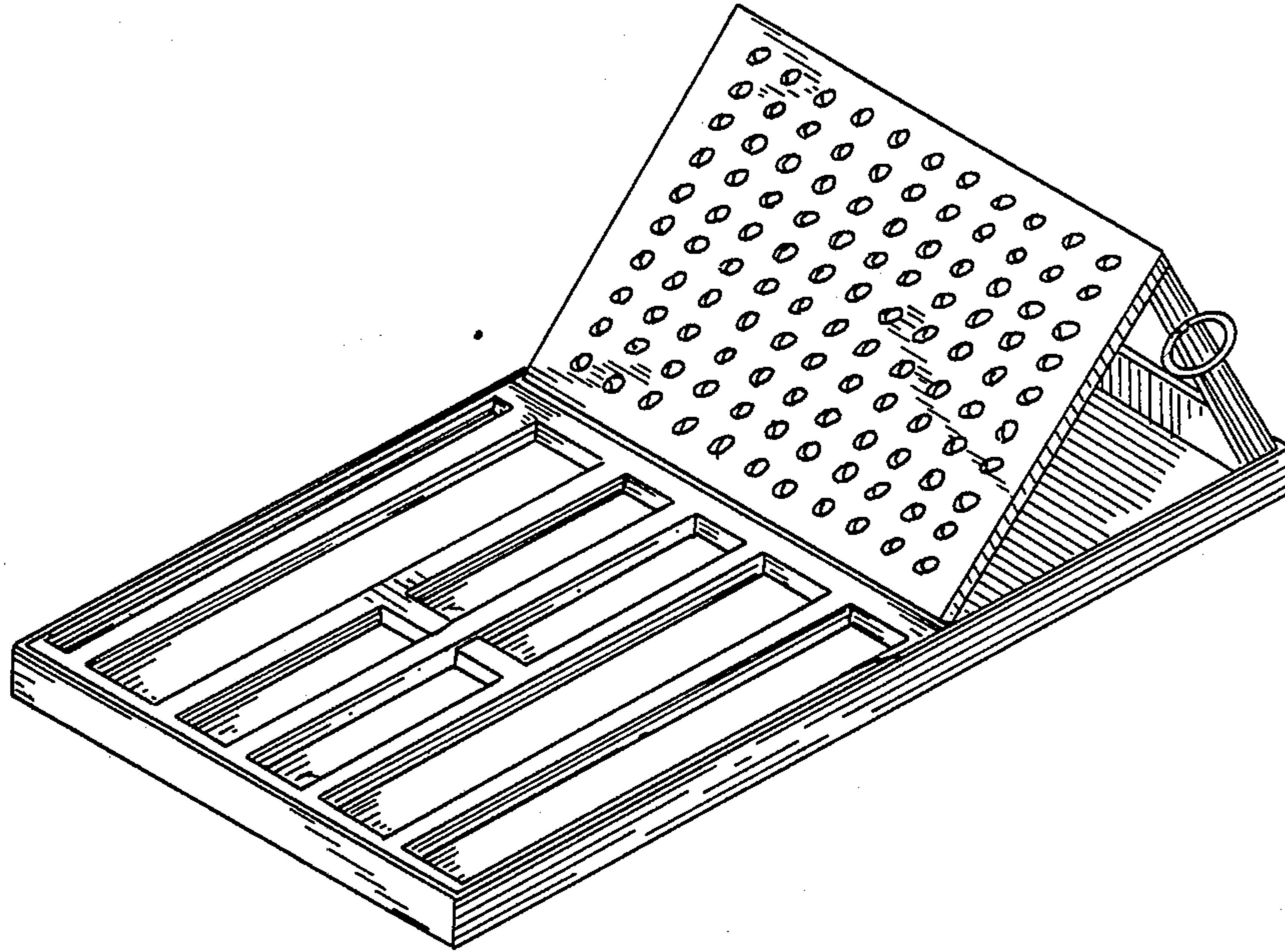
Primary Examiner—Carmen H. Vales
Attorney, Agent, or Firm—Terry M. Gernstein

[57] **CLAIM**

The ornamental design for a tool caddy, as shown and described.

DESCRIPTION

FIG. 1 is a perspective view of a tool caddy showing our new design;
FIG. 2 is a front elevational view thereof;
FIG. 3 is a rear elevational view thereof;
FIG. 4 is a left side elevational view thereof;
FIG. 5 is a right side elevational view thereof; and
FIG. 6 is a bottom plan view thereof.



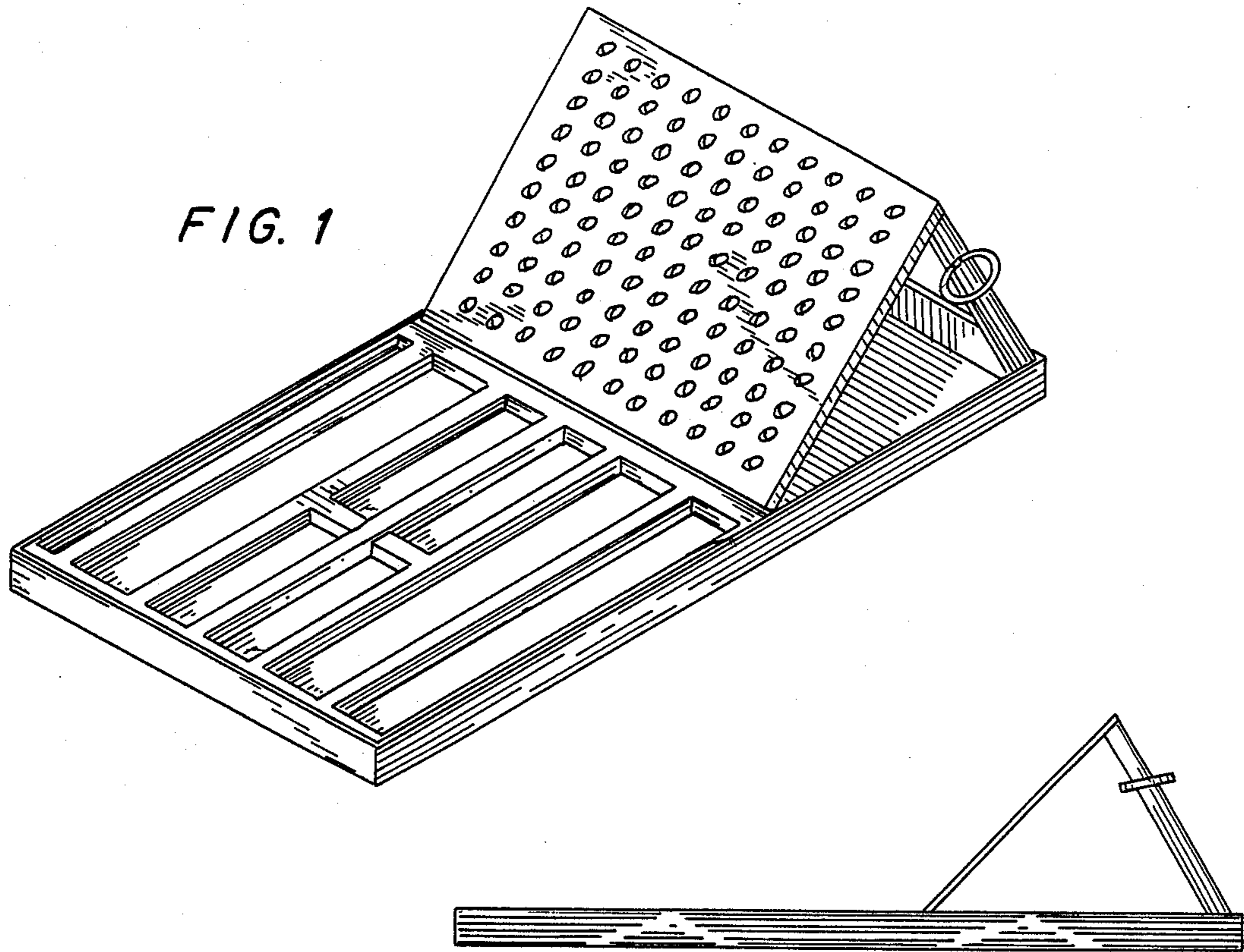


FIG. 1

FIG. 5

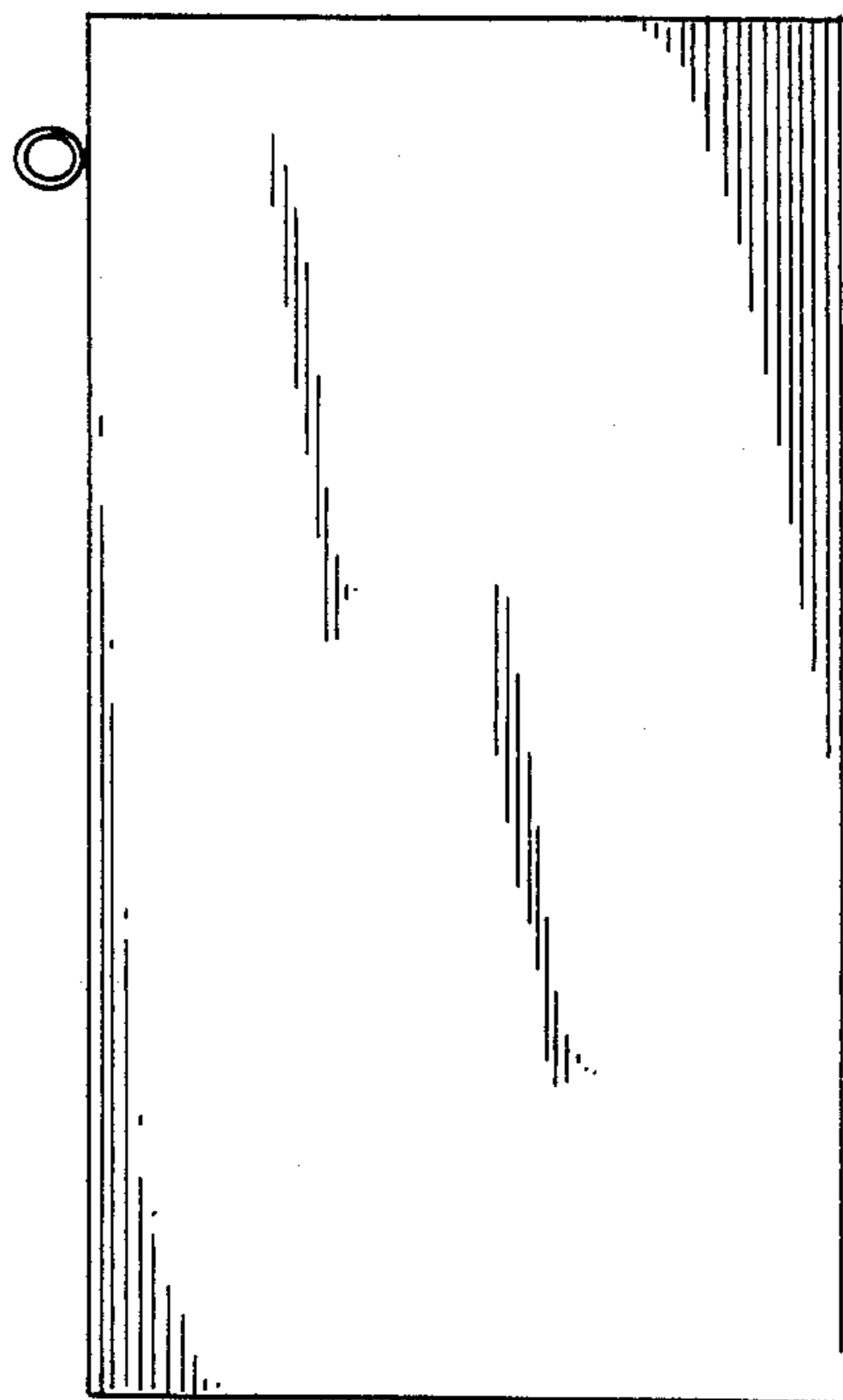


FIG. 6

FIG. 3

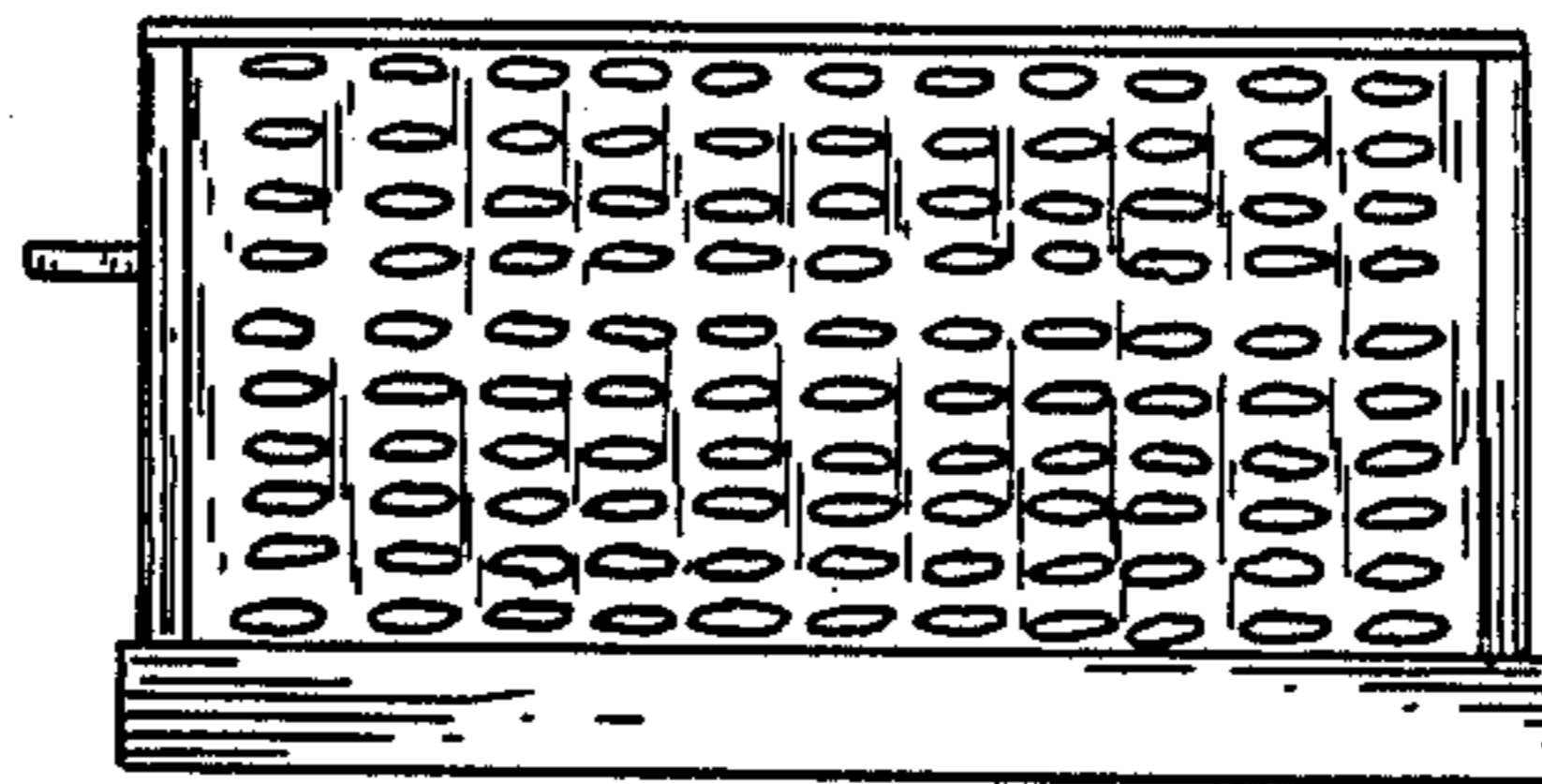


FIG. 2

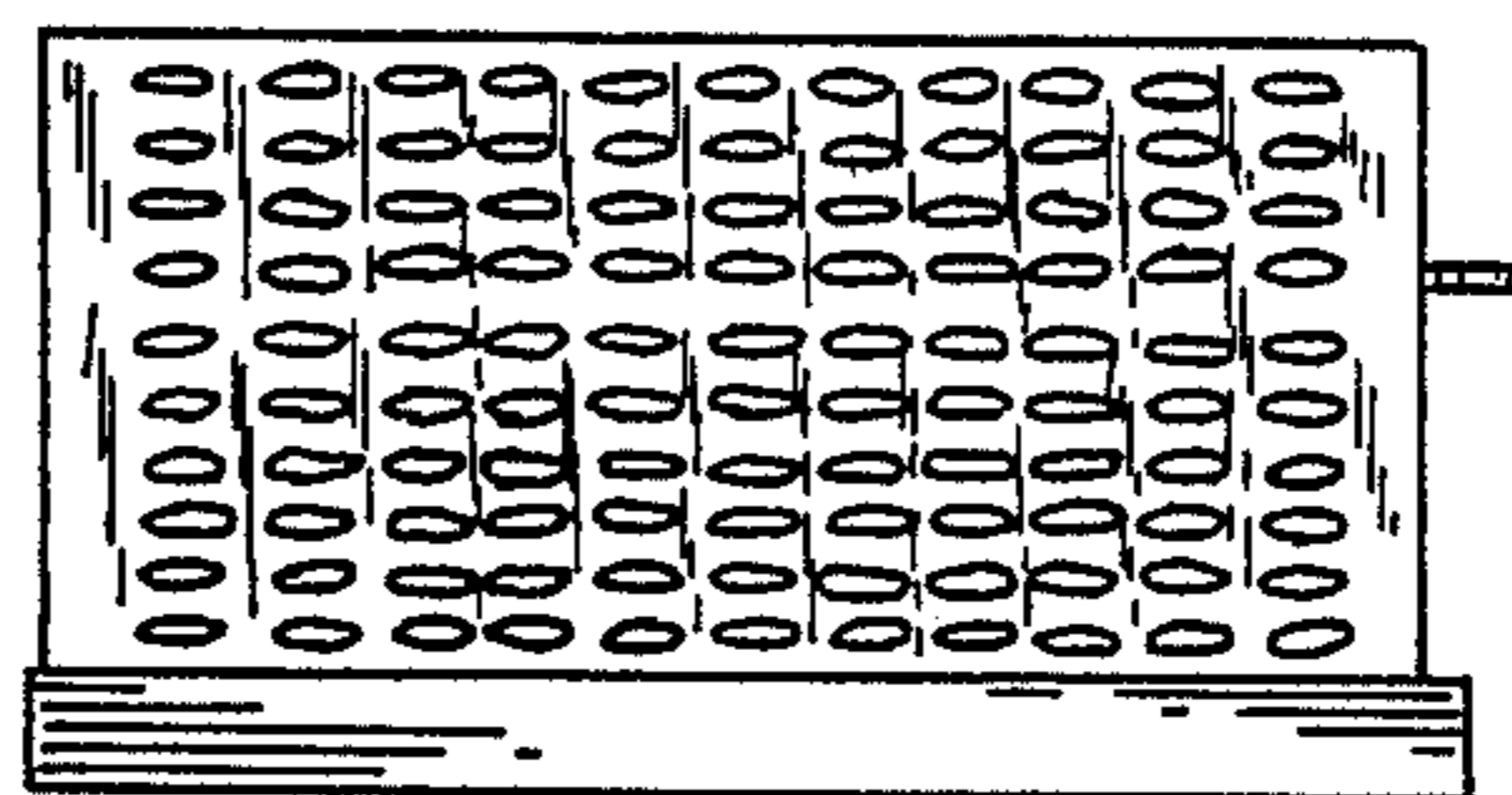


FIG. 4

