

United States Patent [19]
Iinuma

[11] **Patent Number: Des. 300,766**
[45] **Date of Patent: ** Apr. 18, 1989**

[54] **REEL FOR FISHING**

[75] **Inventor: Kanji Iinuma, Musashino, Japan**

[73] **Assignee: Daiwa Seiko, Inc., Tokyo, Japan**

[**] **Term: 14 Years**

[21] **Appl. No.: 881,179**

[22] **Filed: Jul. 1, 1986**

[30] **Foreign Application Priority Data**

Jan. 7, 1986 [JP] Japan 61-106

[52] **U.S. Cl. D22/141**

[58] **Field of Search D22/141; 242/84.1 R,
242/84.2 R, 84.2 J**

[56] **References Cited**

U.S. PATENT DOCUMENTS

D. 253,840 1/1980 Hiraishi D22/141
D. 269,031 5/1983 Kanamaru et al. D22/141
D. 270,934 10/1983 Iinuma D22/141

Primary Examiner—A. Hugo Word
Attorney, Agent, or Firm—Bacon & Thomas

[57] **CLAIM**

The ornamental design for a reel for fishing, as shown.

DESCRIPTION

FIG. 1 is a top, rear and left side perspective view of a reel for fishing showing my new design; FIG. 2 is a front elevational view thereof; FIG. 3 is a rear elevational view thereof; FIG. 4 is a right side elevational view thereof; FIG. 5 is a left side elevational view thereof; FIG. 6 is a bottom plan view thereof; and FIG. 7 is a top plan view thereof.

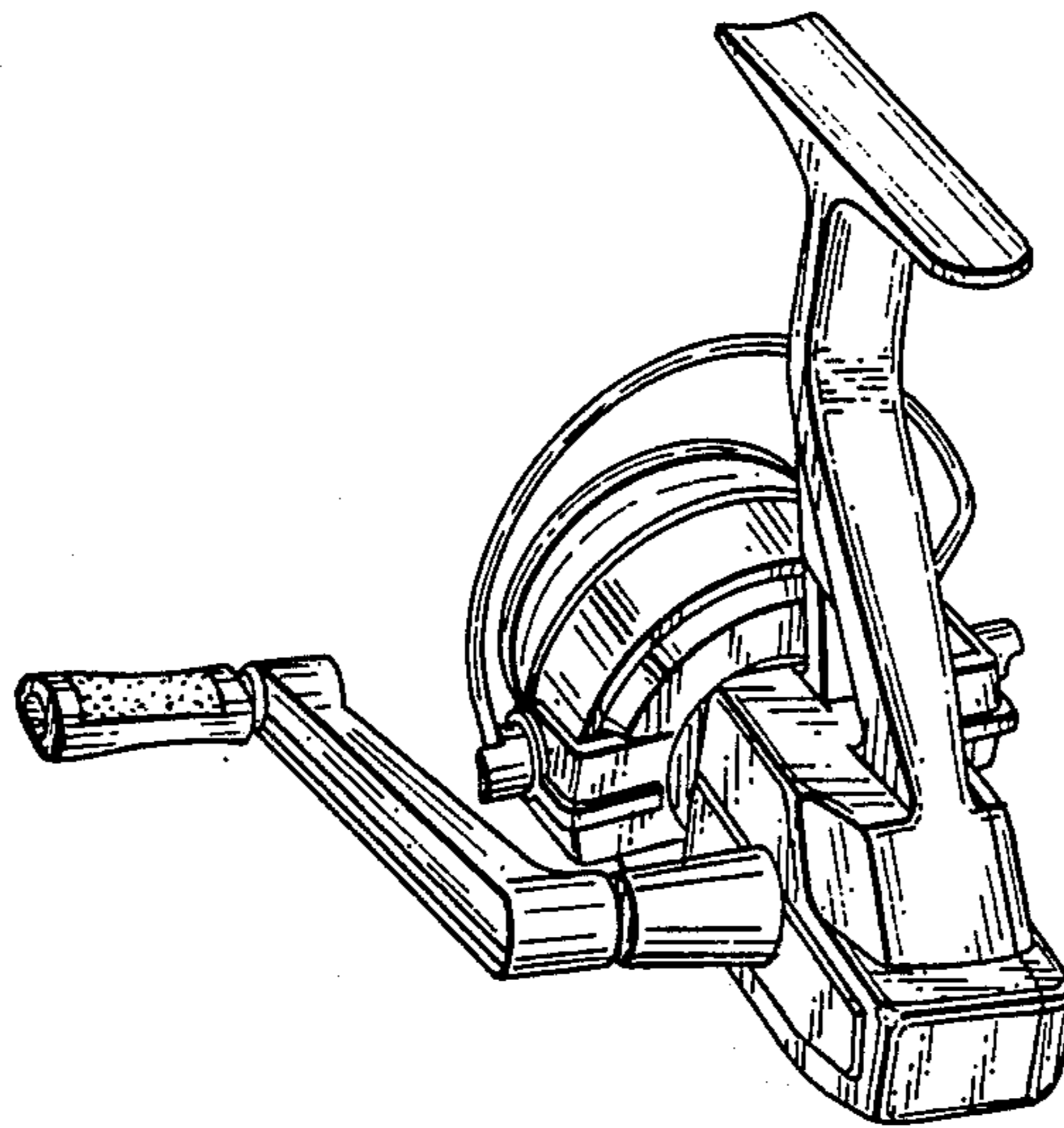


FIG. 1

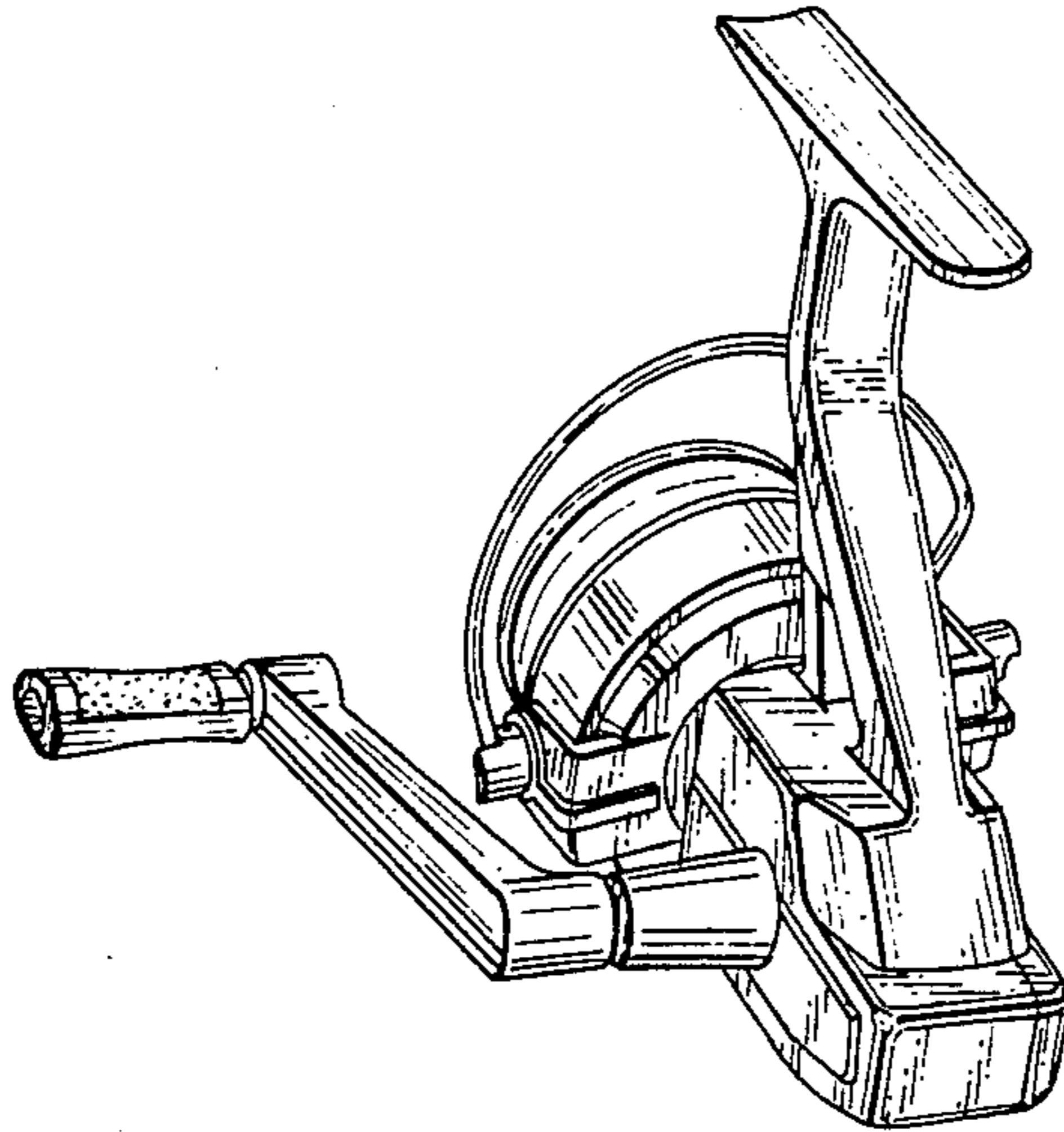


FIG. 2

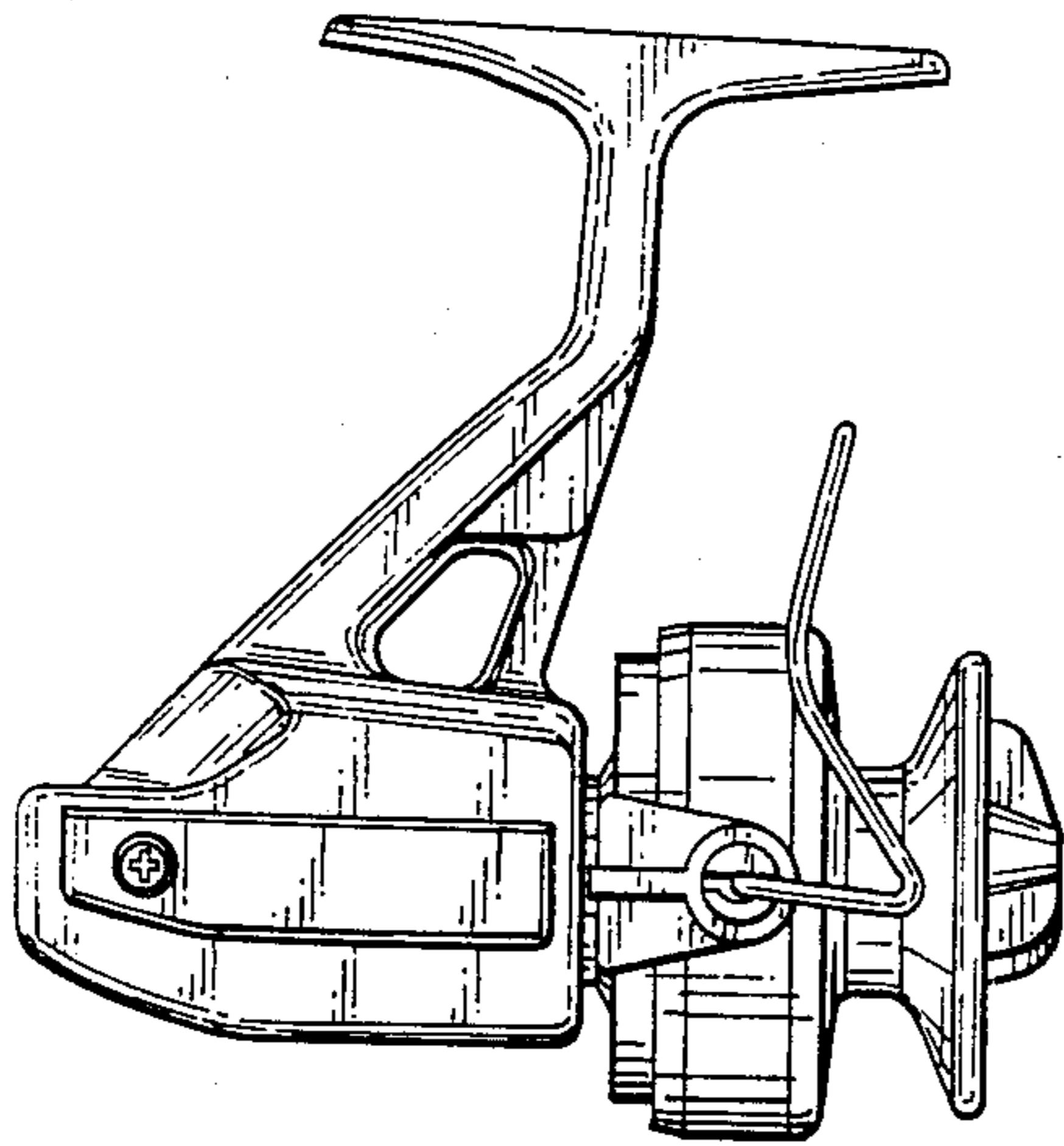


FIG. 3

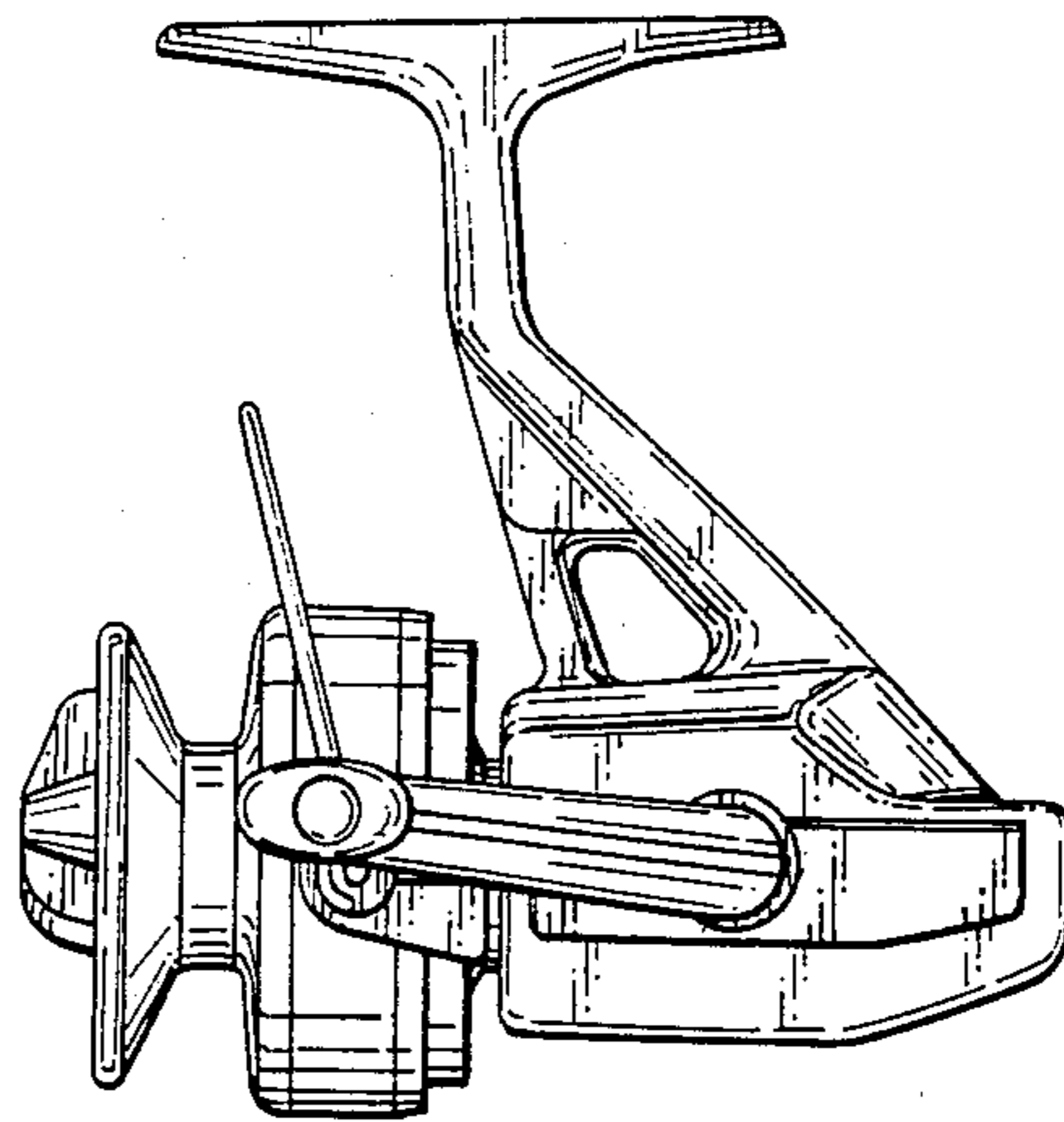


FIG. 4

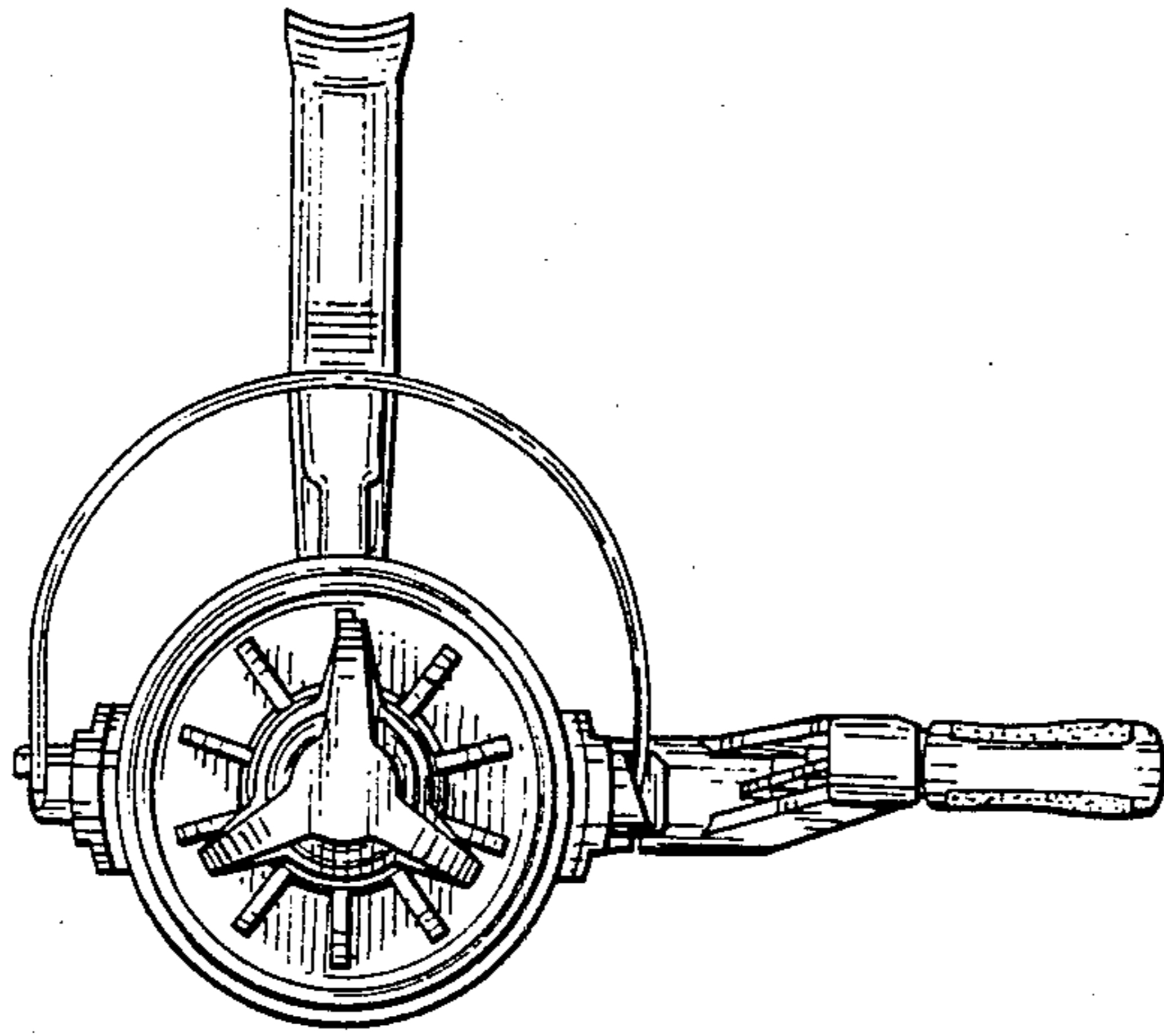


FIG. 5

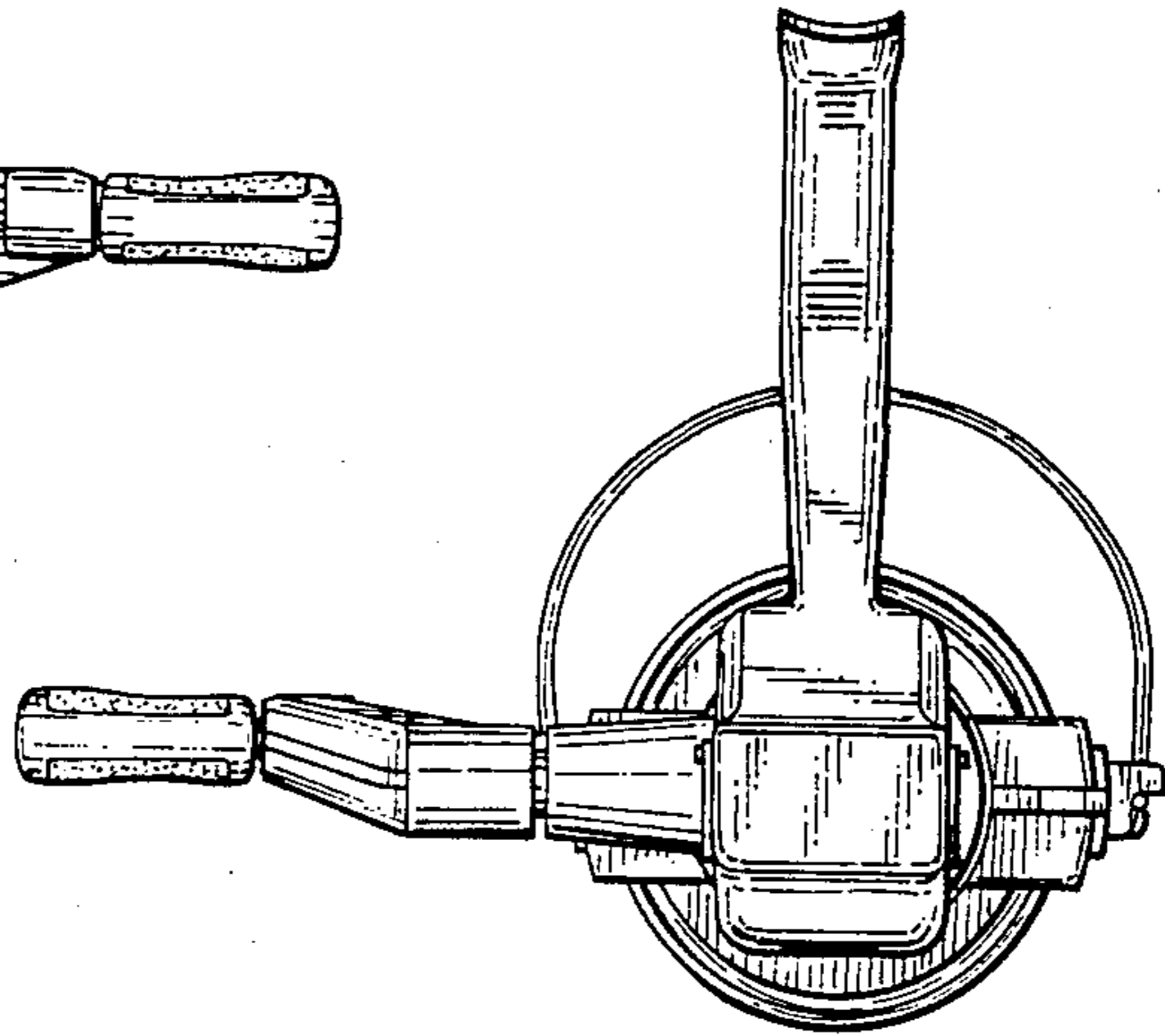


FIG. 6

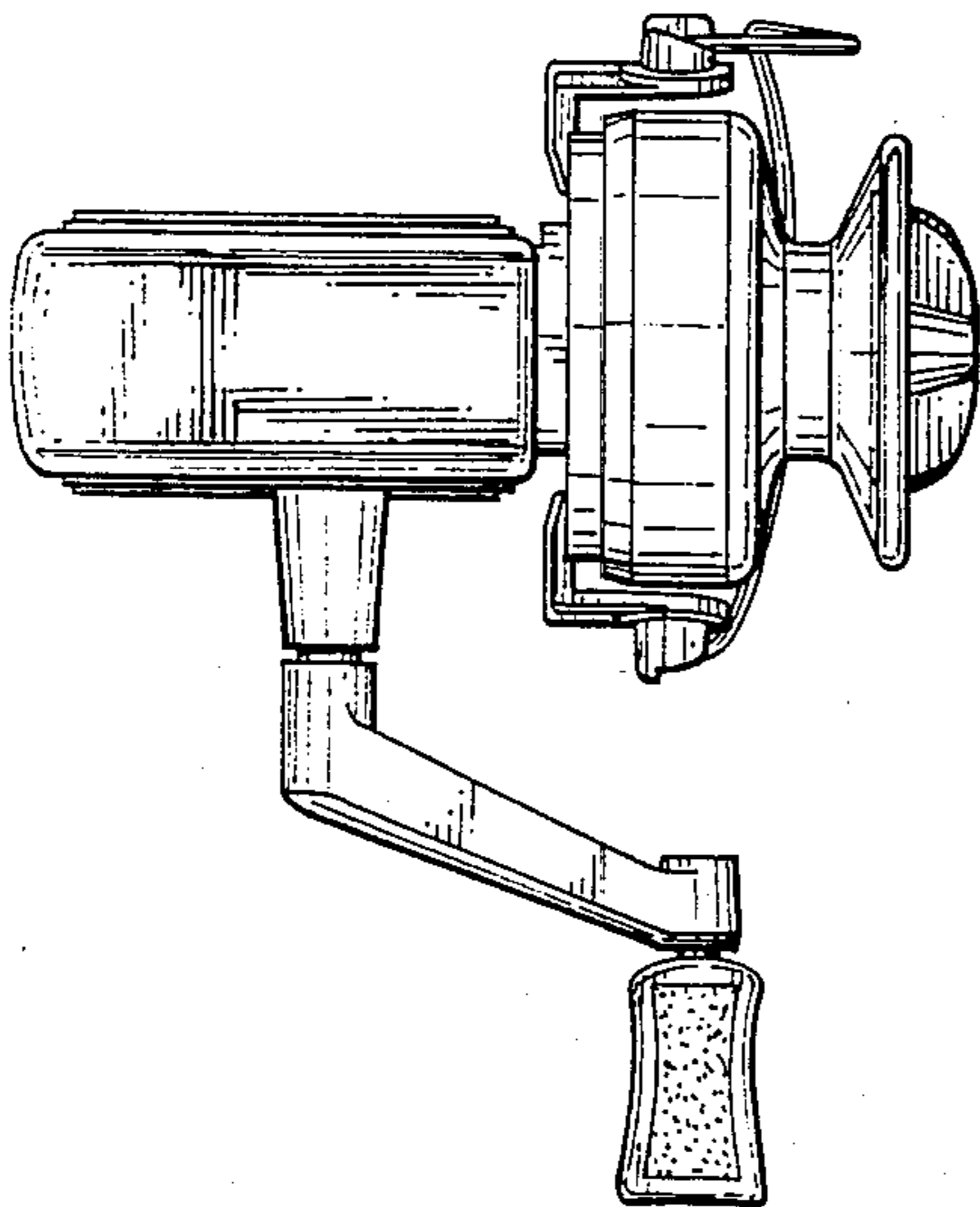


FIG. 7

