

# United States Patent [19]

Iinuma et al.

[11] Patent Number: Des. 300,765

[45] Date of Patent: \*\* Apr. 18, 1989

[54] REEL FOR FISHING

[75] Inventors: Kanji Iinuma; Yasuhisa Kameda, both of Tokyo, Japan

[73] Assignee: Daiwa Seiko, Inc., Tokyo, Japan

[\*\*] Term: 14 Years

[21] Appl. No.: 875,660

[22] Filed: Jun. 17, 1986

[30] Foreign Application Priority Data

Dec. 20, 1985 [JP] Japan ..... 60-53046

May 7, 1986 [JP] Japan ..... 61-17017

[52] U.S. Cl. .... D22/141

[58] Field of Search ..... D22/141; 242/84.1 R, 242/84.2 R, 84.2 J

[56] References Cited

U.S. PATENT DOCUMENTS

D. 270,933 10/1983 Iinuma et al. .... D22/141

D. 291,472 8/1987 Kameda ..... D22/141

Primary Examiner—A. Hugo Word

Attorney, Agent, or Firm—Bacon & Thomas

[57] CLAIM

The ornamental design for a reel for fishing, as shown and described.

DESCRIPTION

FIG. 1 is a left front perspective view of a reel for fishing showing our new design;

FIG. 2 is a right front perspective view thereof;

FIG. 3 is a front elevational view thereof;

FIG. 4 is a rear elevational view thereof;

FIG. 5 is a right side elevational view thereof;

FIG. 6 is a left side elevational view thereof;

FIG. 7 is a top plan view thereof;

FIG. 8 is a bottom plan view thereof;

FIG. 9 is a left front perspective view of a second embodiment thereof;

FIG. 10 is a right front perspective view thereof;

FIG. 11 is a front elevational view thereof;

FIG. 12 is a rear elevational view thereof;

FIG. 13 is a right side elevational view thereof;

FIG. 14 is a left side elevational view thereof;

FIG. 15 is a top plan view thereof; and

FIG. 16 is a bottom plan view thereof.

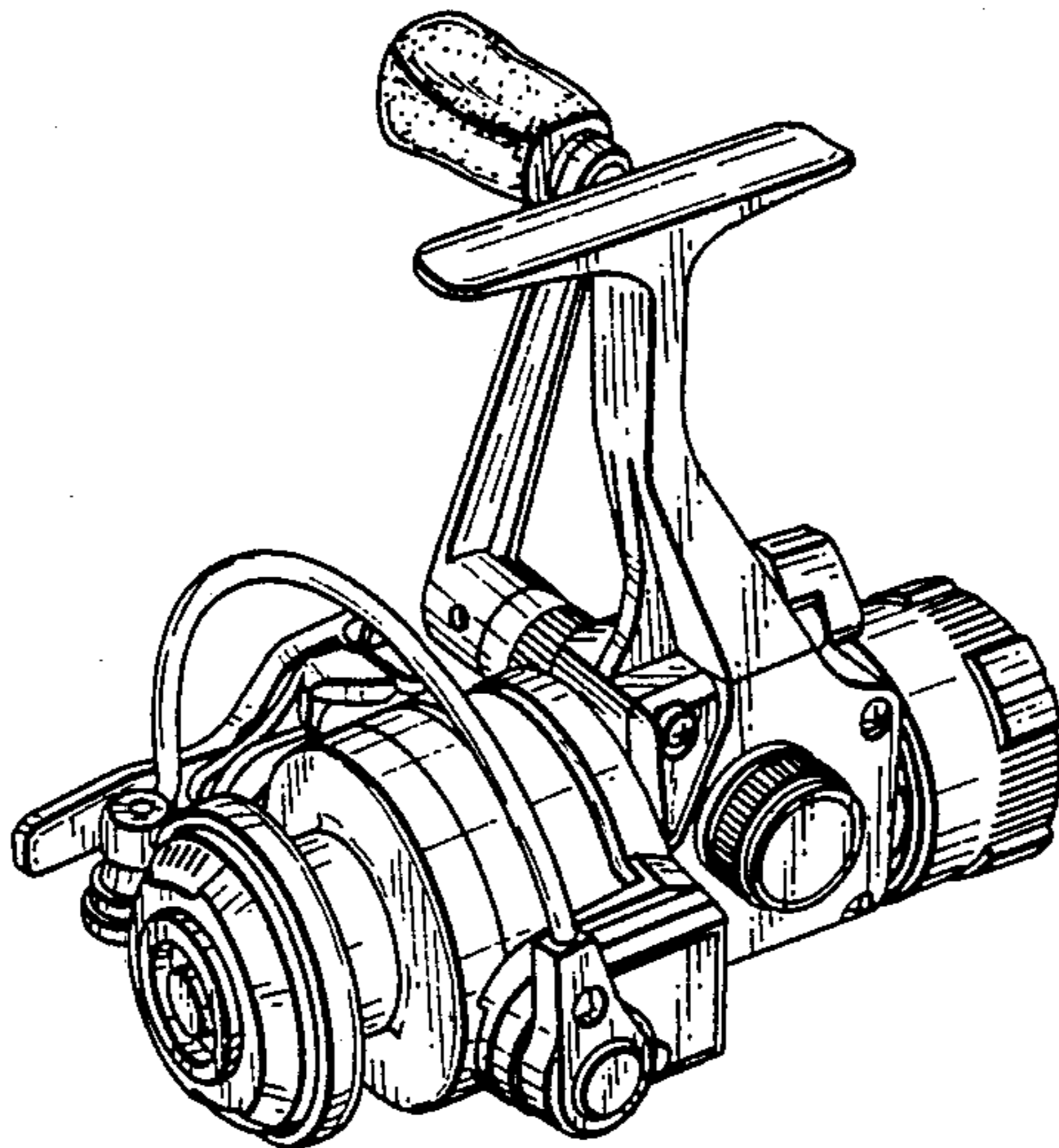


FIG. 1

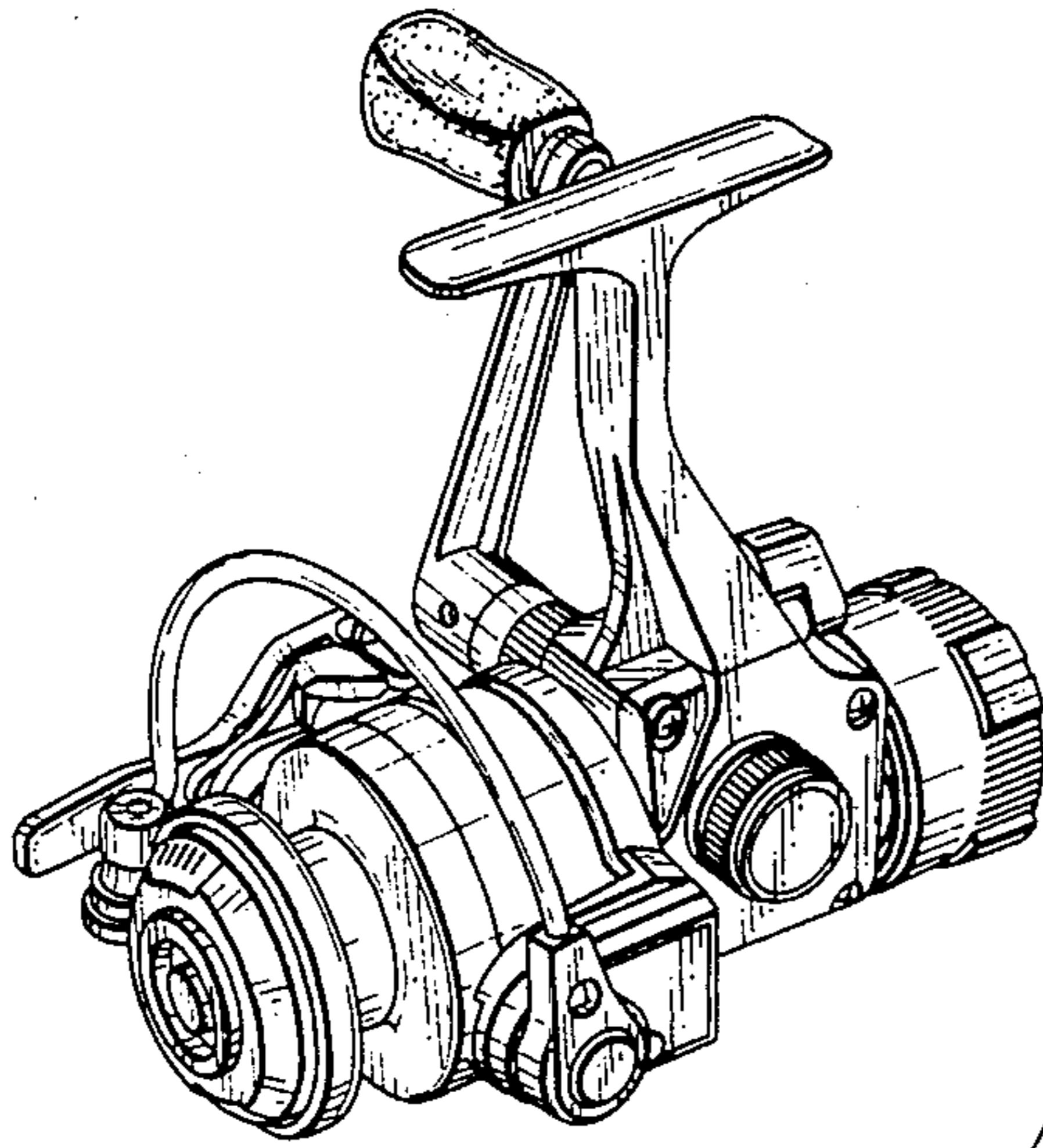


FIG. 2

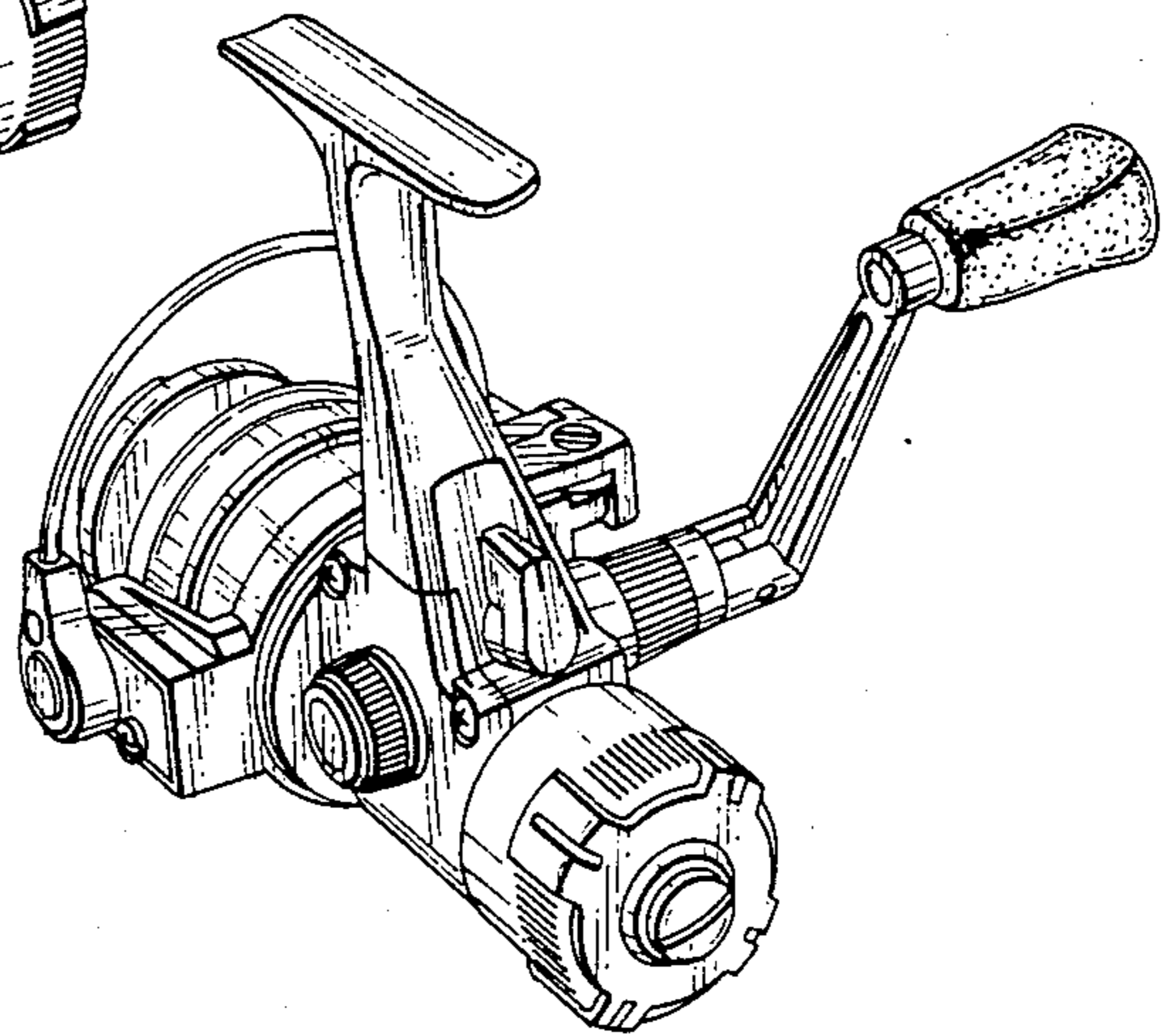


FIG. 3

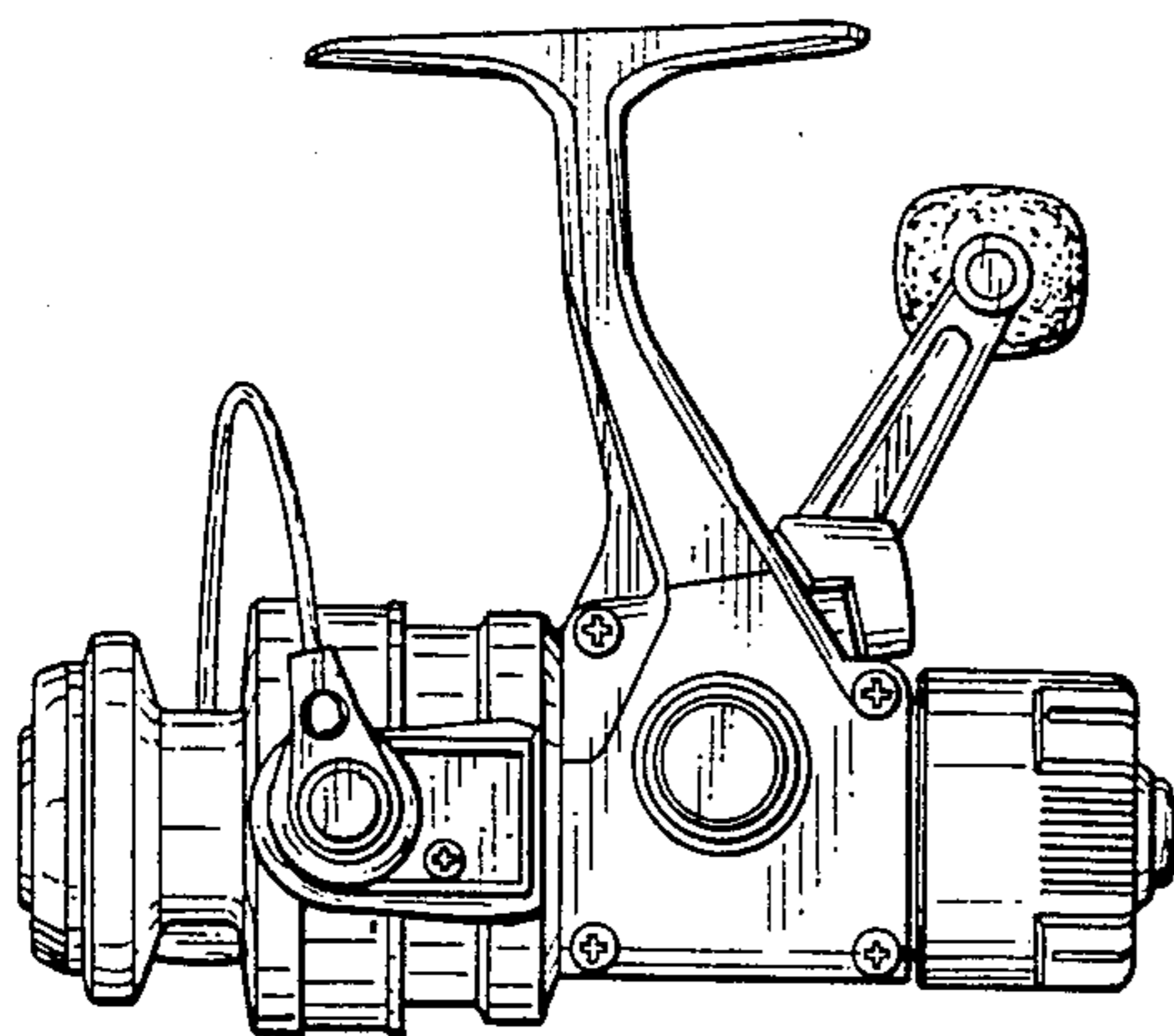


FIG. 4

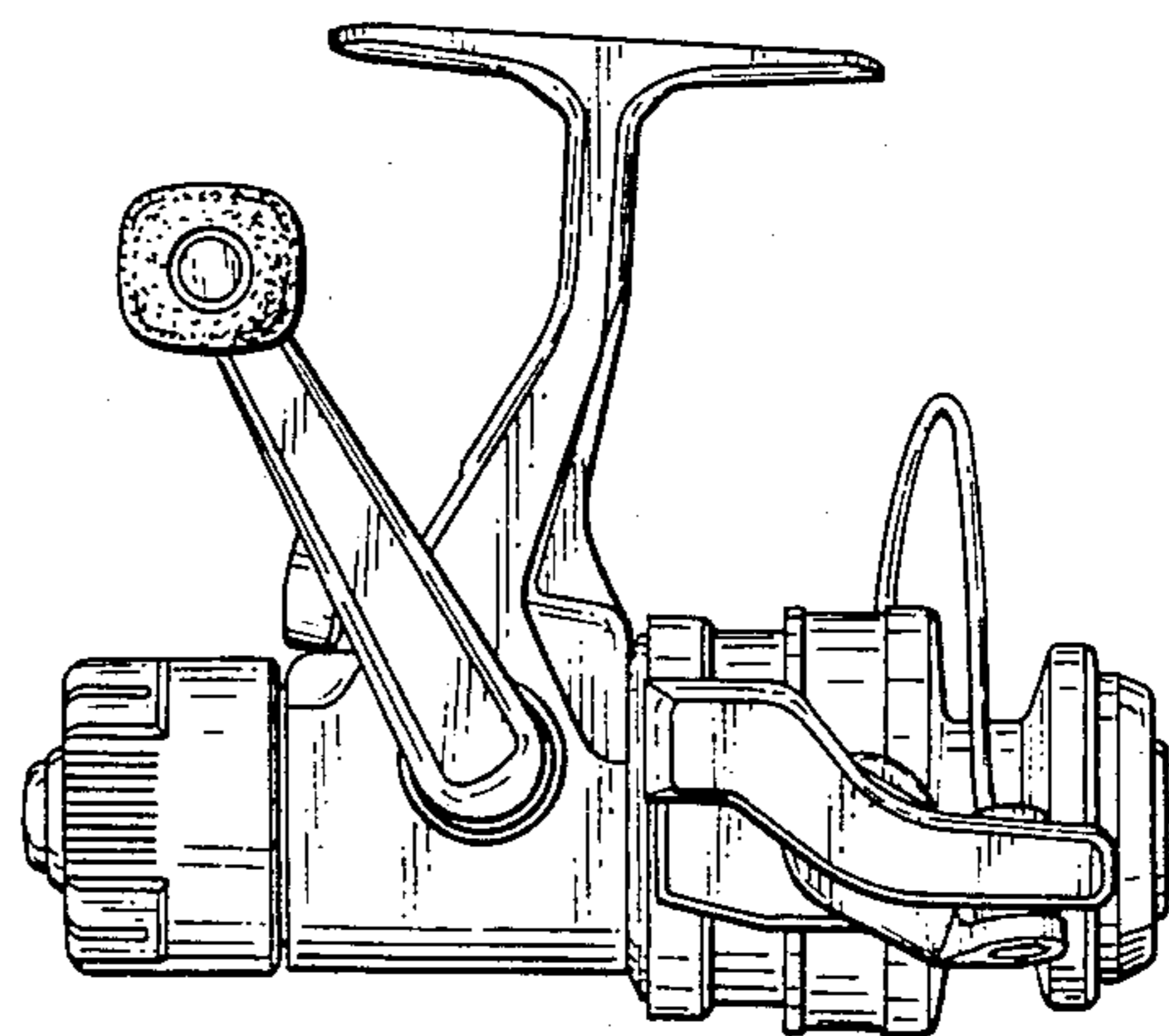


FIG. 5

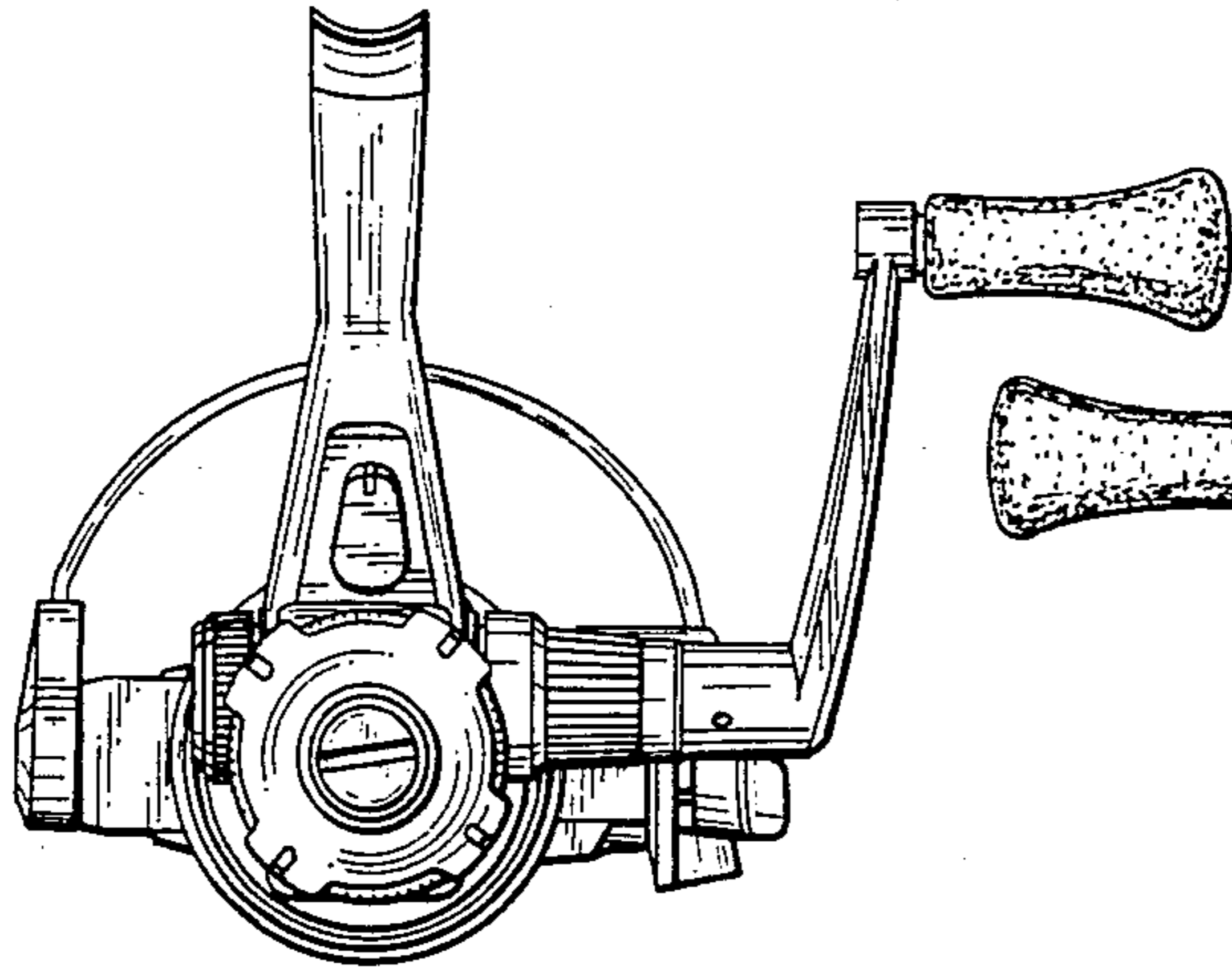


FIG. 6

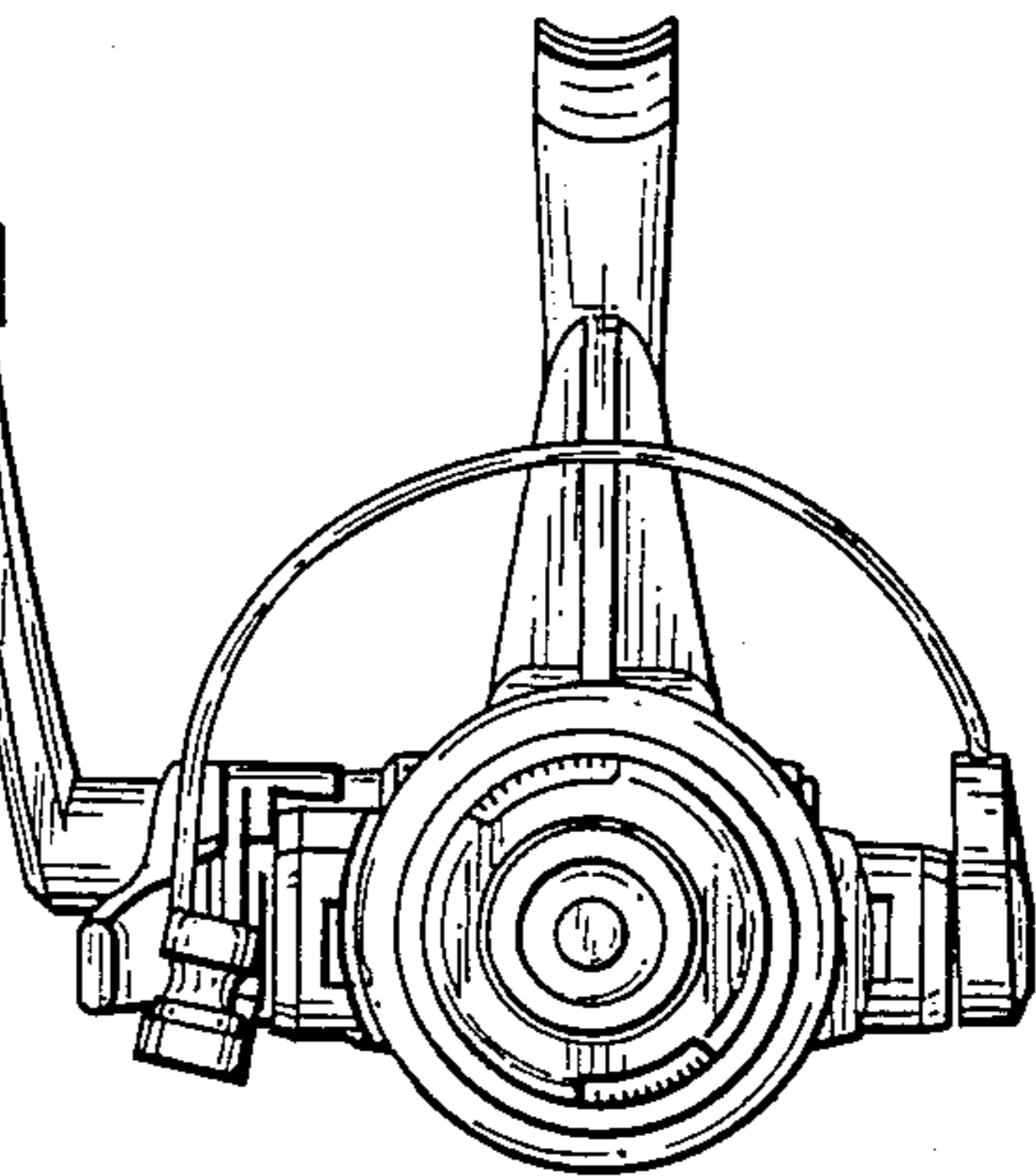


FIG. 7

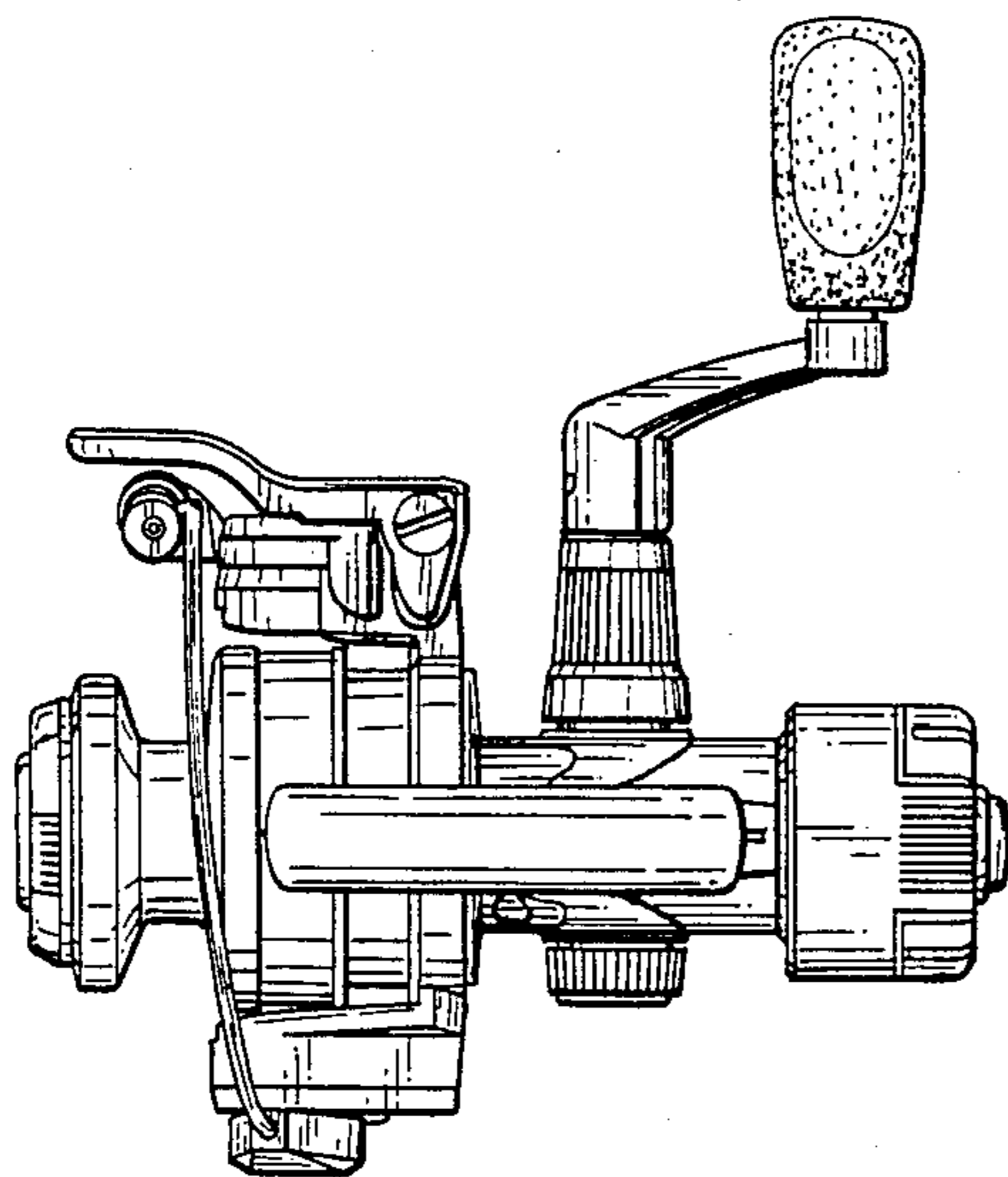


FIG. 8

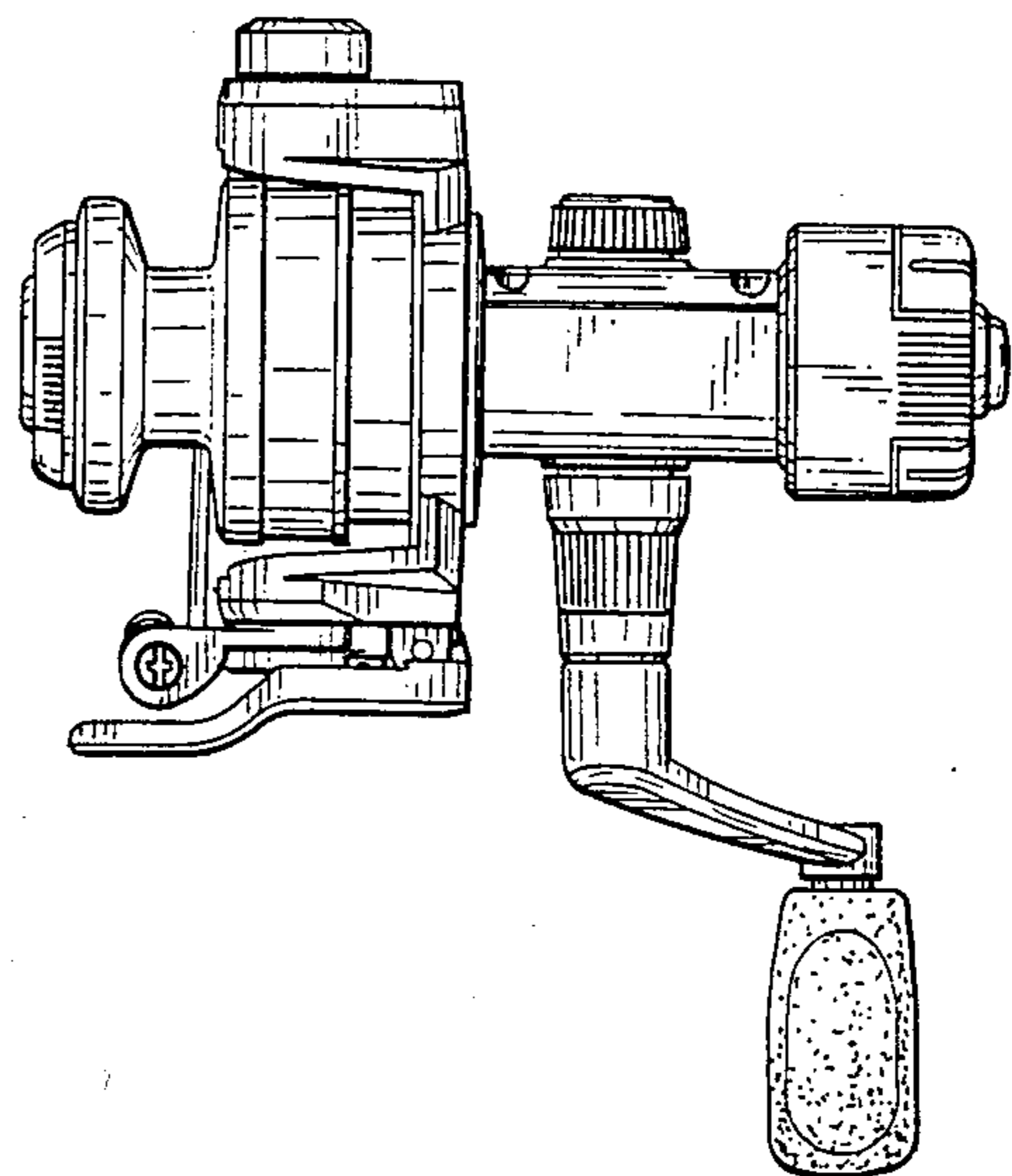


FIG. 9

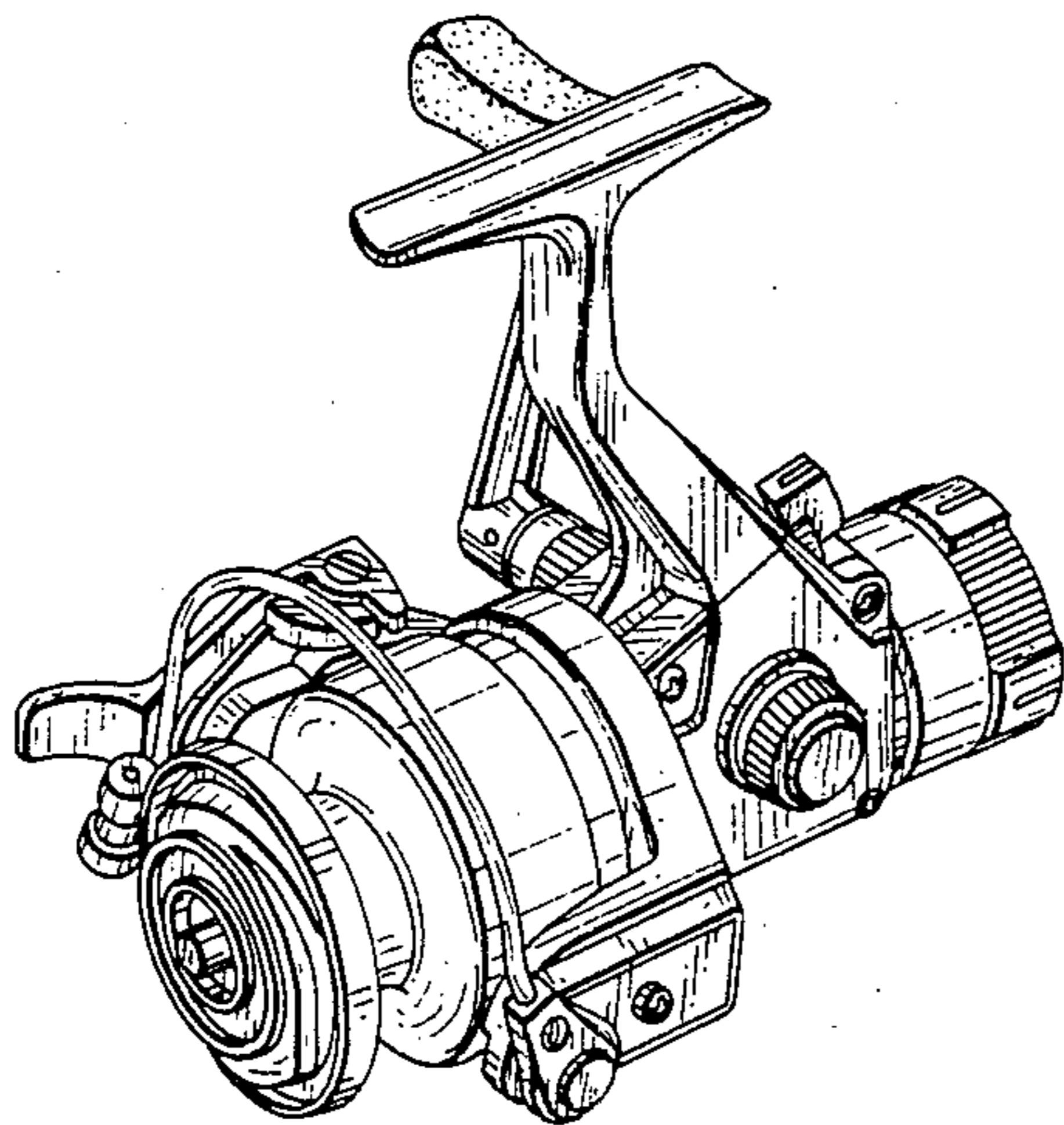


FIG. 10

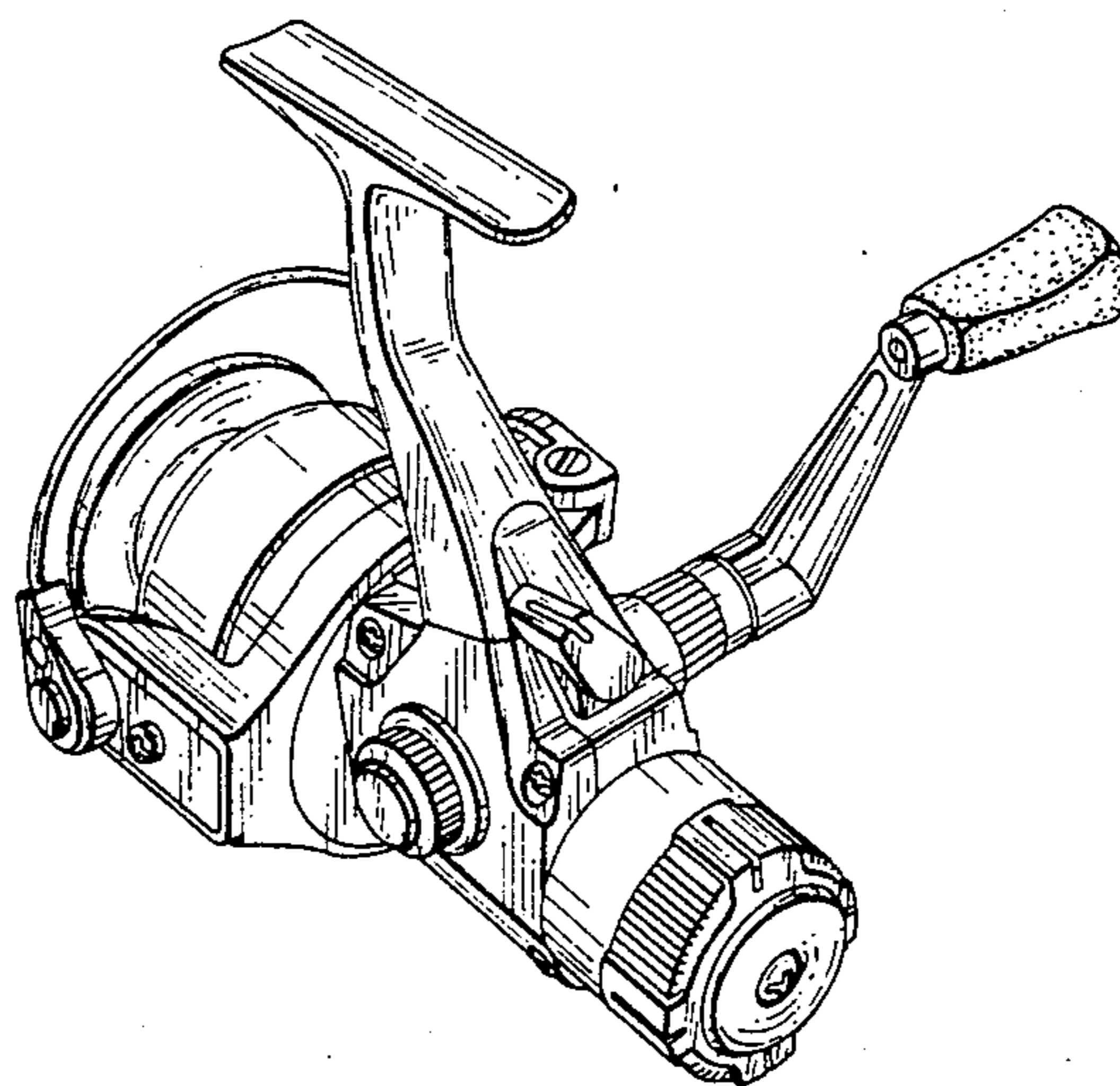


FIG. 11

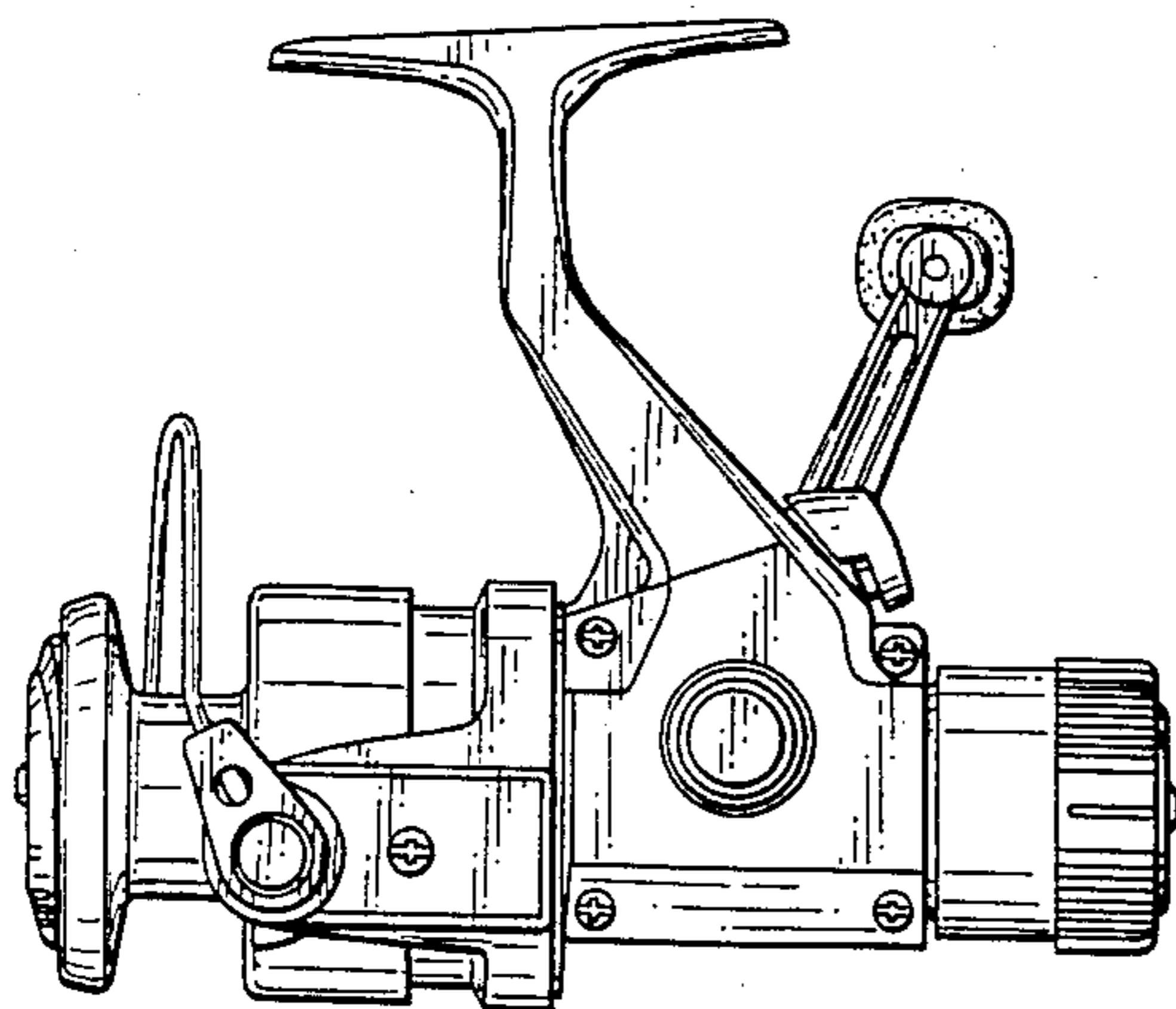


FIG. 12

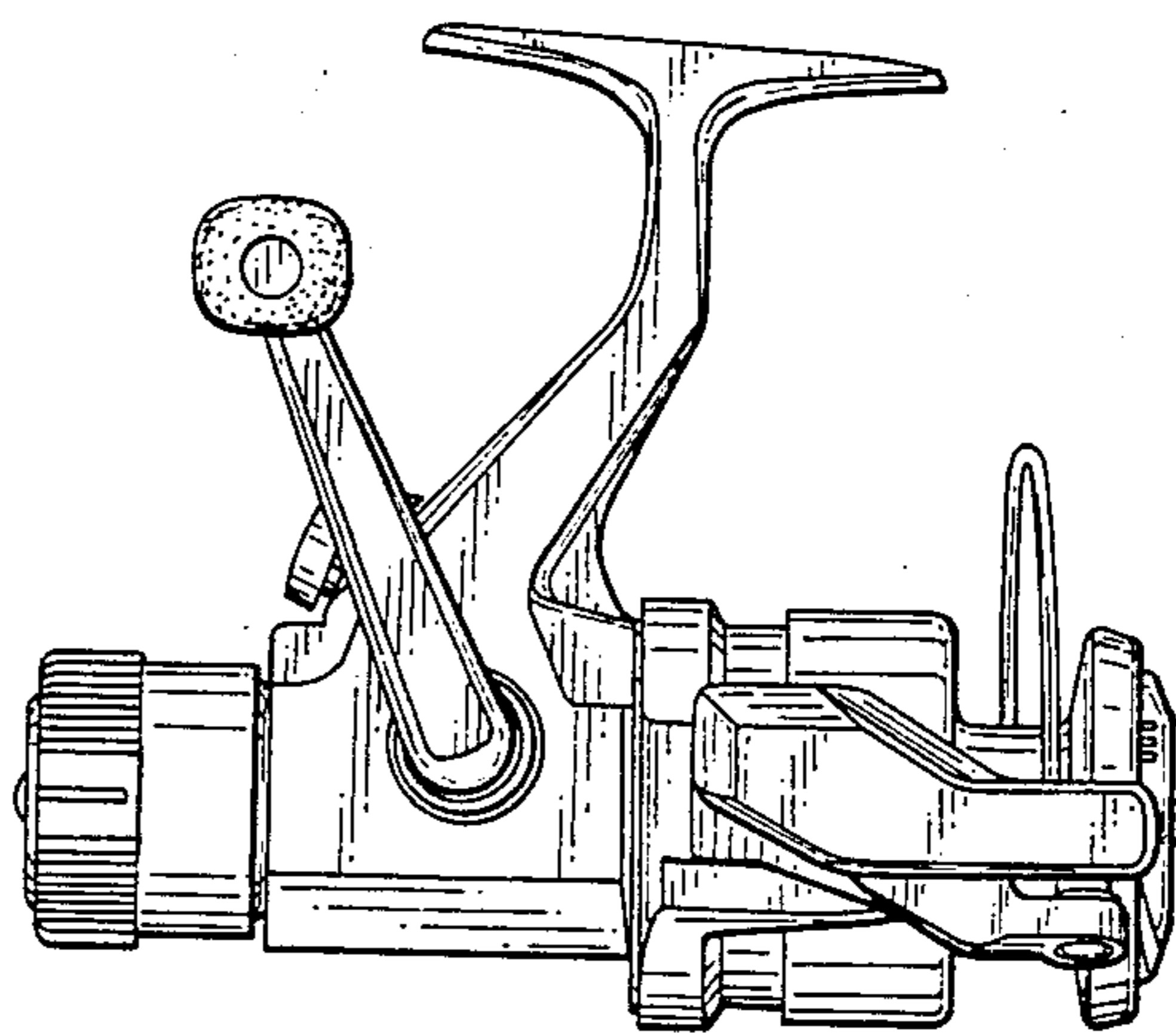


FIG. 13

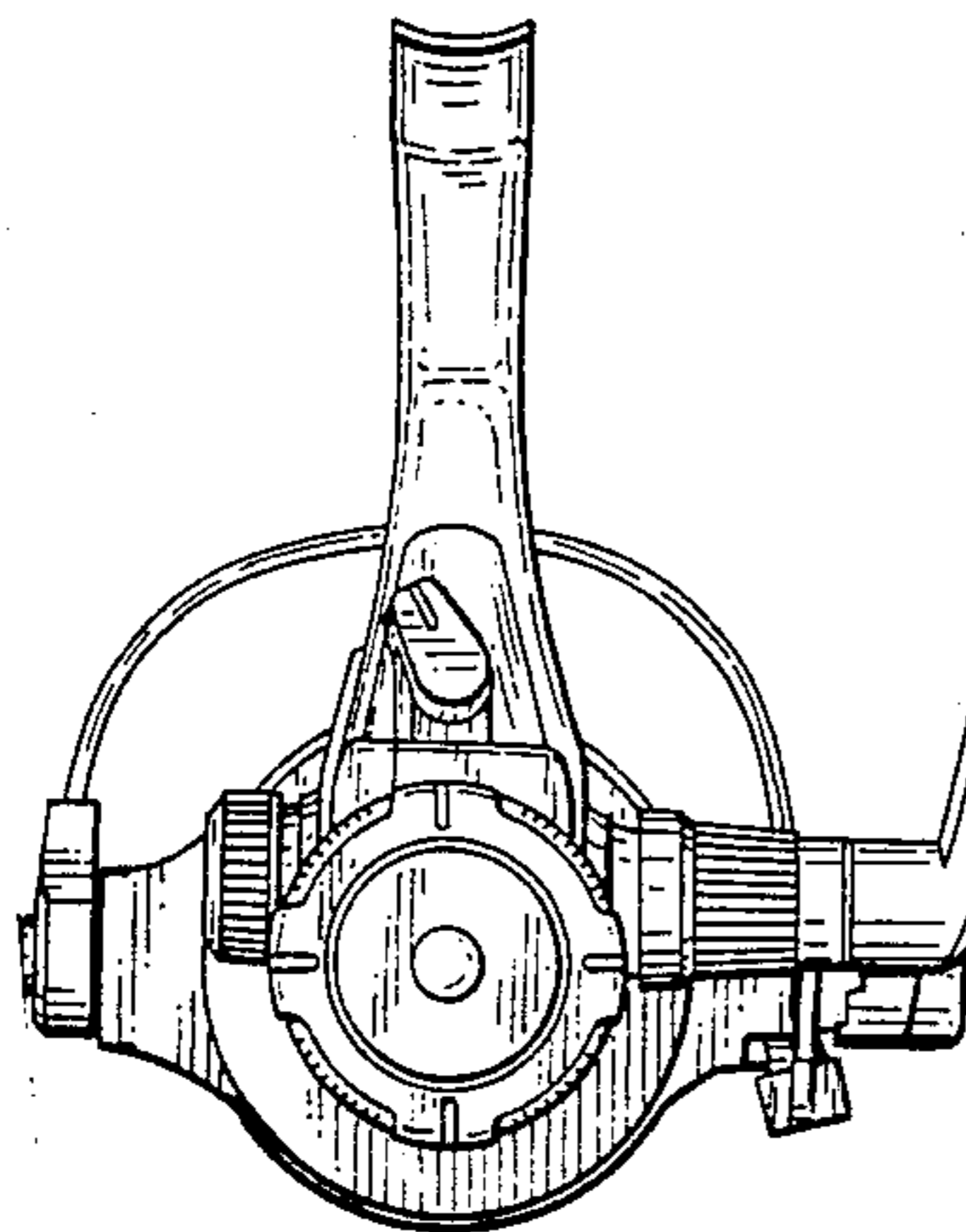


FIG. 14

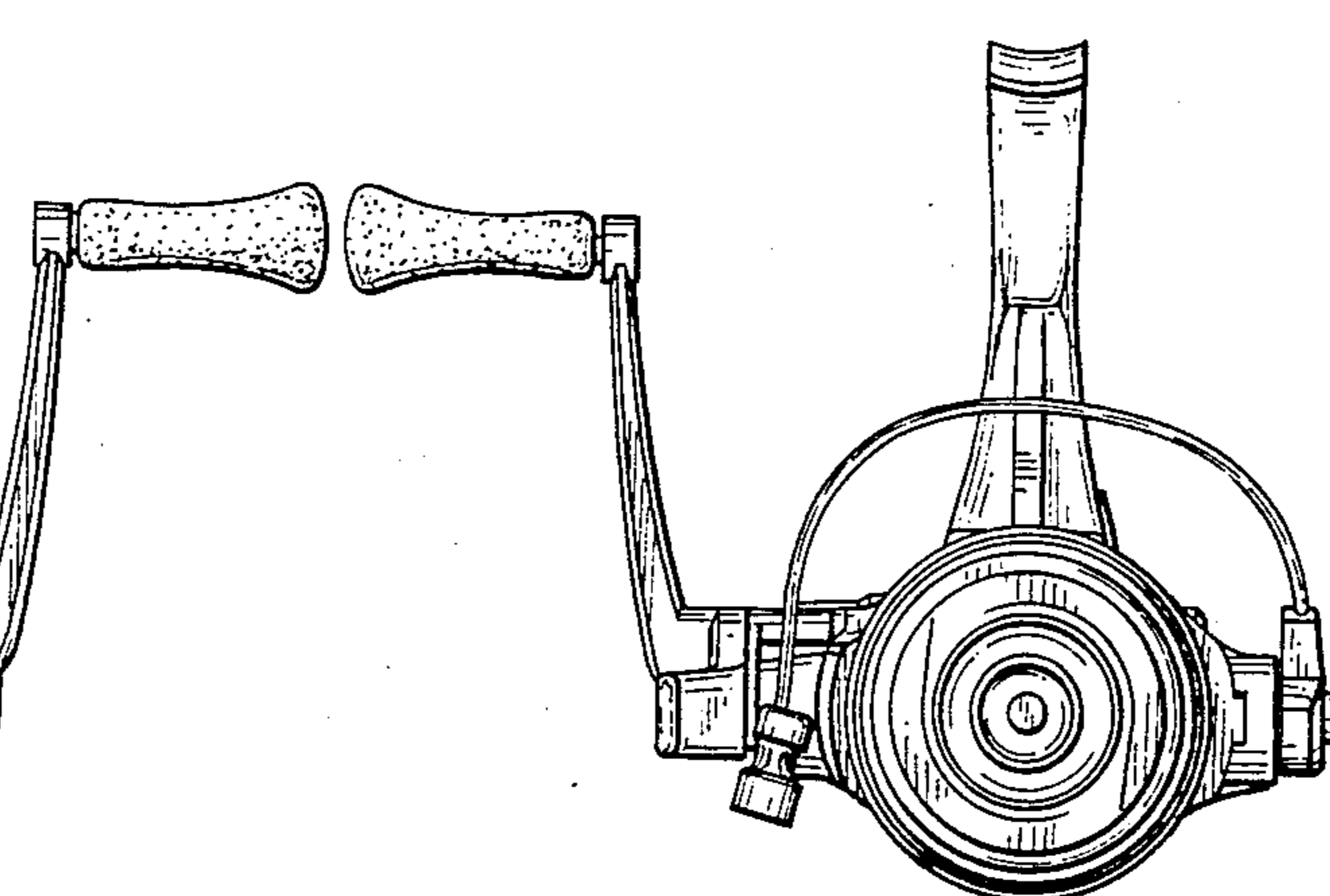


FIG. 15

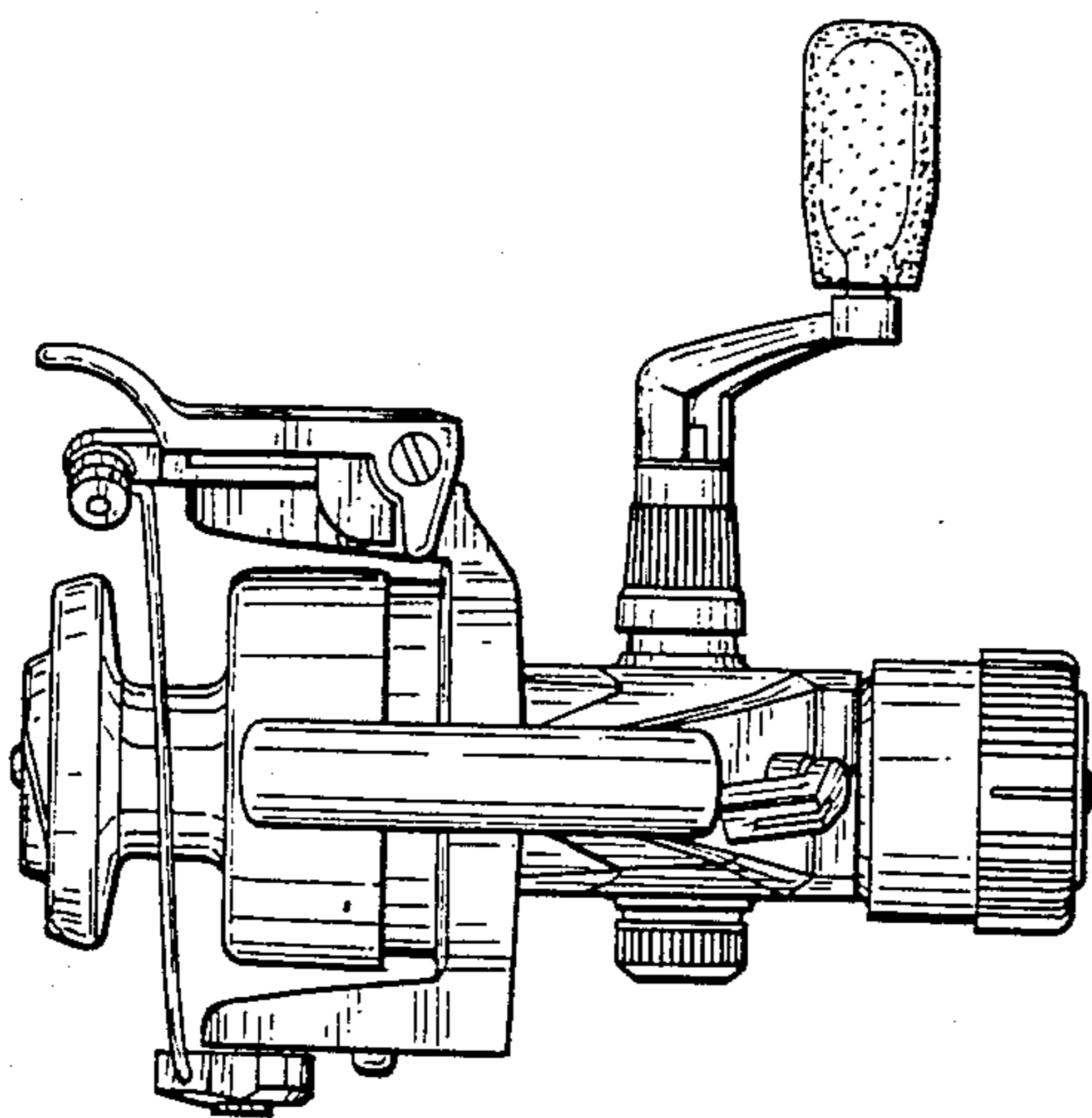


FIG. 16

