

United States Patent [19]
Mazzanti

[11] **Patent Number: Des. 300,763**
[45] **Date of Patent: ** Apr. 18, 1989**

[54] **MUZZLE ATTACHMENT FOR GUNS**
[76] **Inventor: Vincent E. Mazzanti, 6114 Terryhill Dr., La Jolla, Calif. 92037**
[**] **Term: 14 Years**
[21] **Appl. No.: 867,744**
[22] **Filed: May 27, 1986**
[52] **U.S. Cl. D22/108**
[58] **Field of Search D22/108, 104; 89/12.2; 42/79, 69.01, 97**

[56] **References Cited**
U.S. PATENT DOCUMENTS
D. 158,795 5/1950 Powell D22/108
D. 296,350 6/1988 Cellini D22/108
4,570,529 2/1986 A'Costa D22/108 X

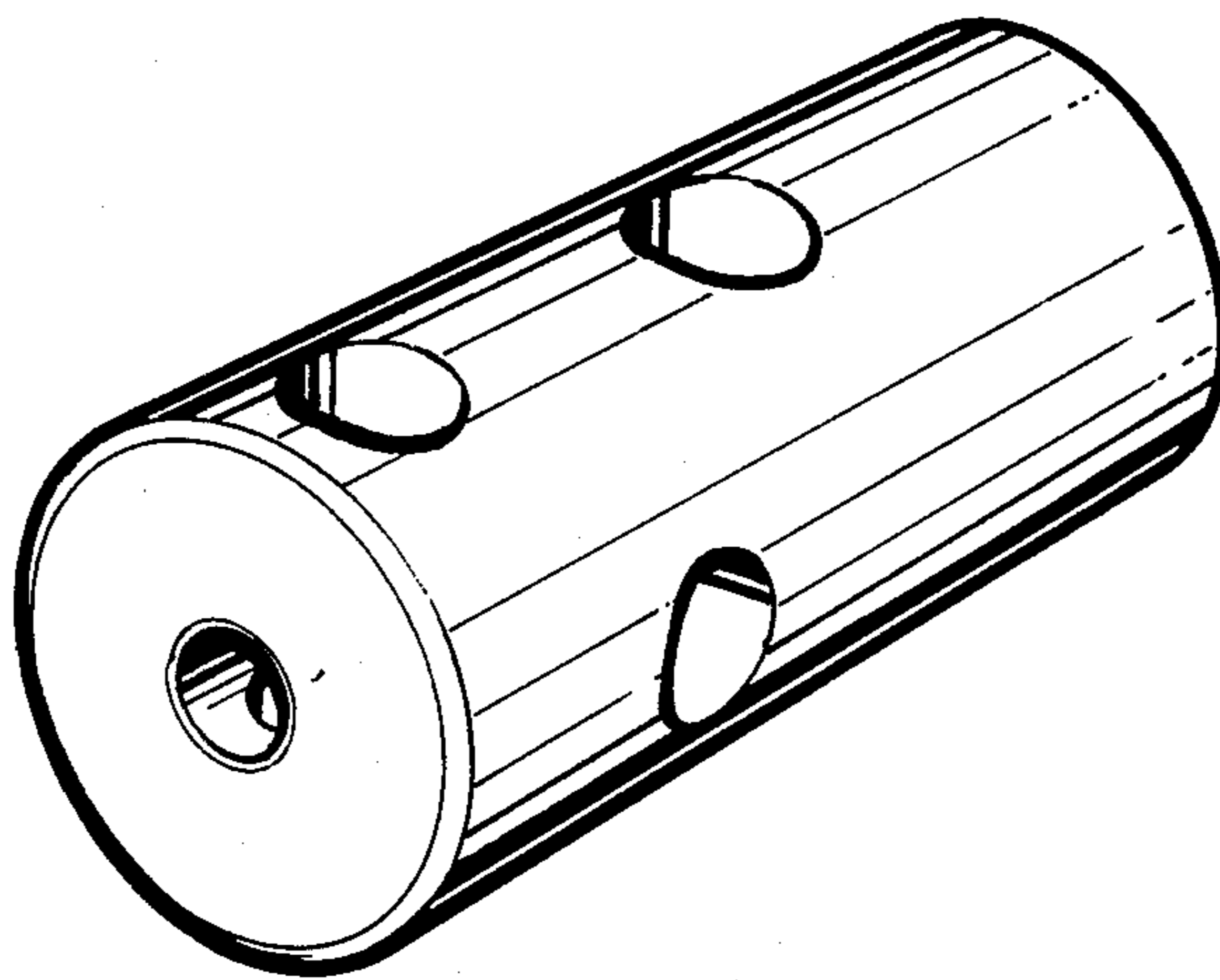
Primary Examiner—A. Hugo Word
Attorney, Agent, or Firm—Charles C. Logan, II

[57] **CLAIM**

The ornamental design for a muzzle attachment for guns, as shown and described.

DESCRIPTION

FIG. 1 is a rear end view of the muzzle attachment for guns;
FIG. 2 is a right side elevational view thereof;
FIG. 3 is a front end view thereof;
FIG. 4 is a top plan view thereof;
FIG. 5 is a left side elevational view thereof;
FIG. 6 is a bottom plan view thereof;
FIG. 7 is a front perspective view thereof; and
FIG. 8 is a rear perspective view thereof.



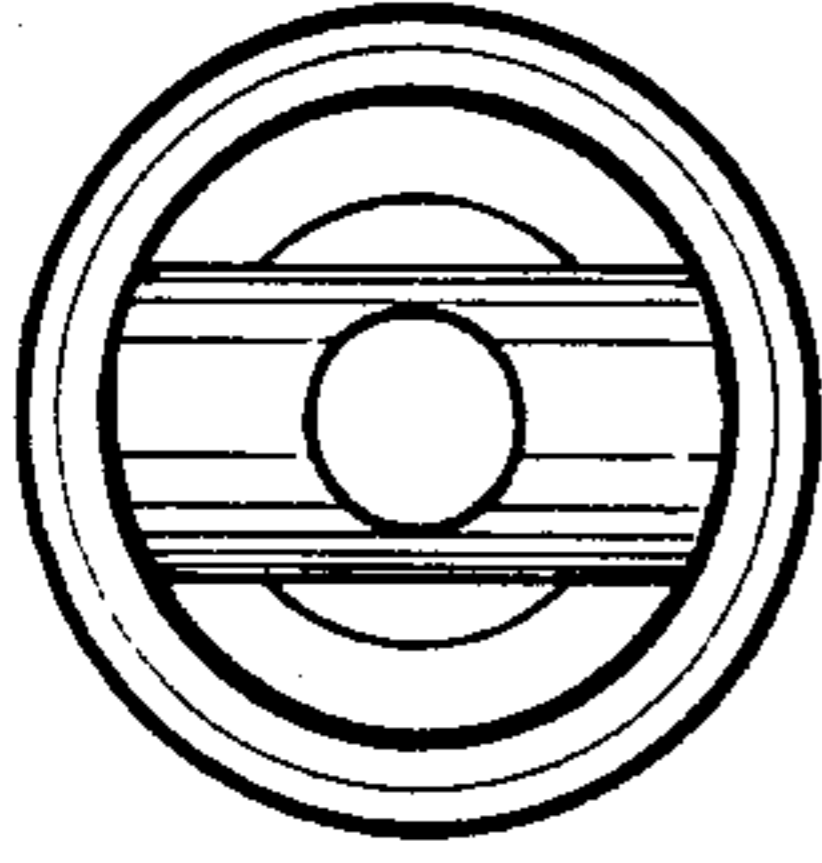


FIGURE 1

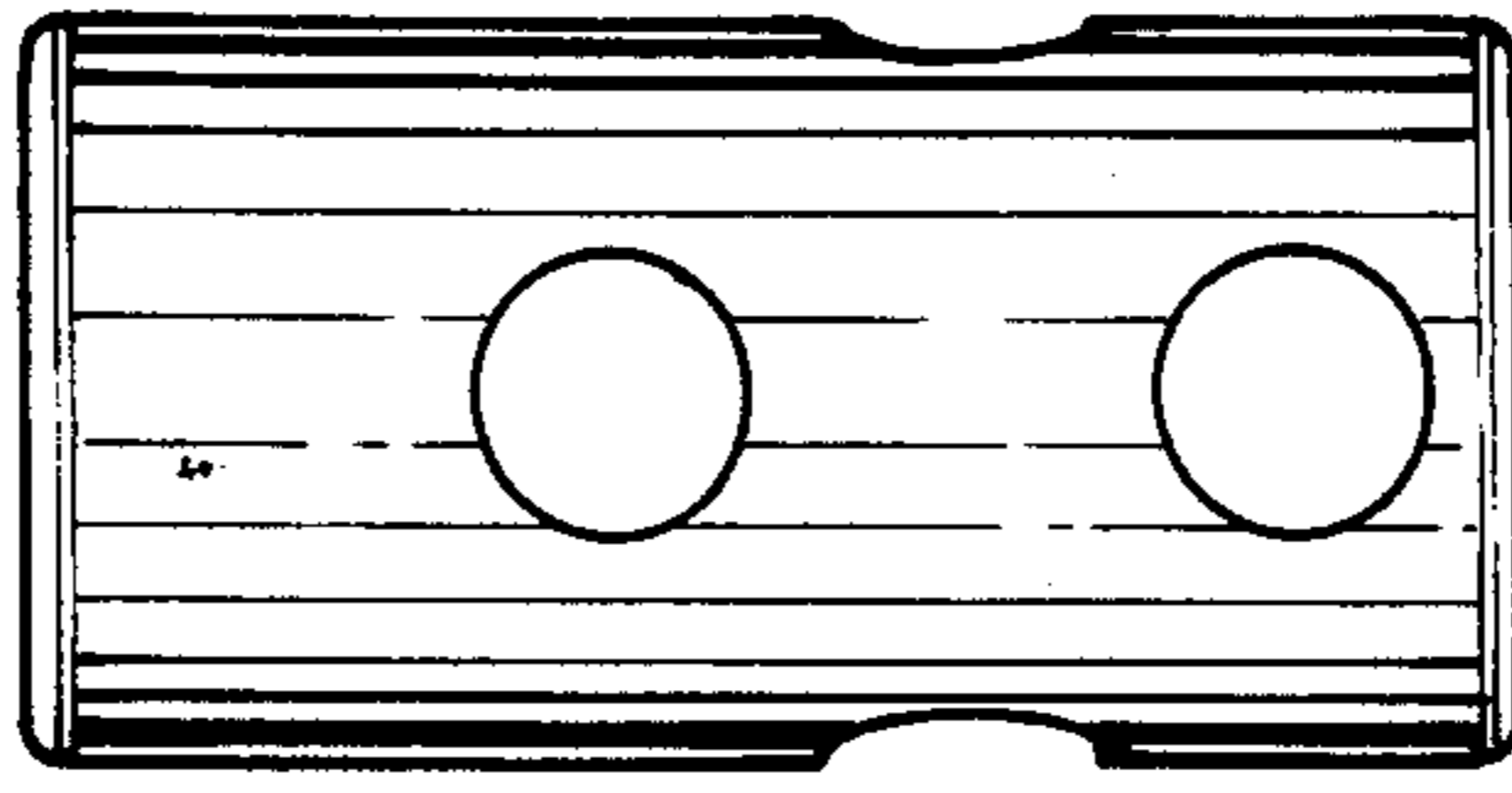


FIGURE 2

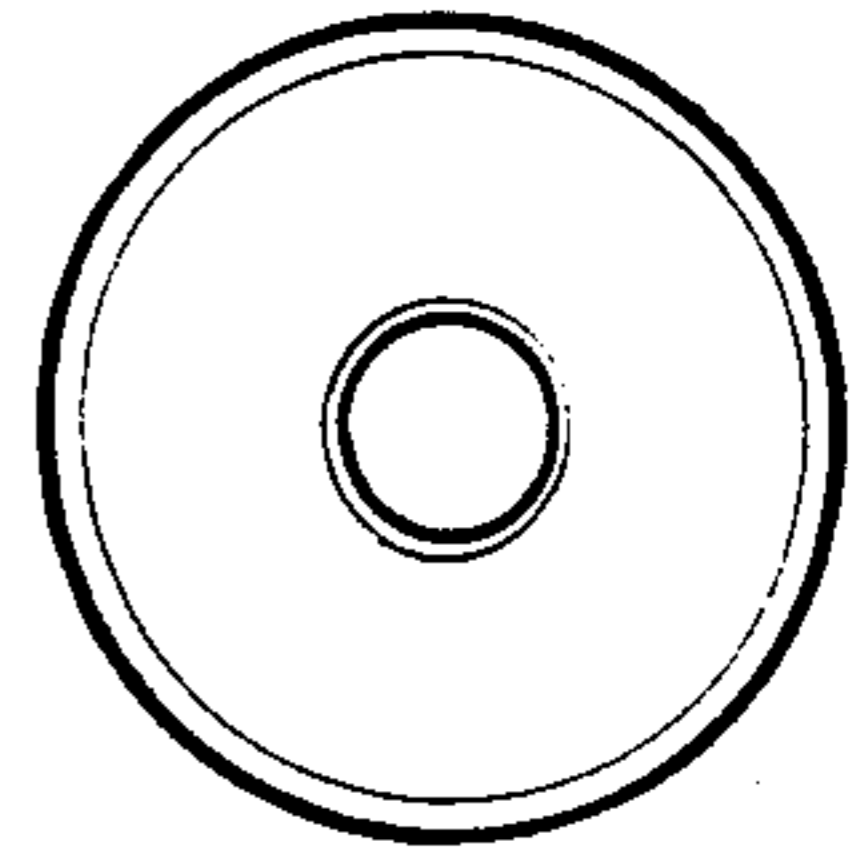


FIGURE 3

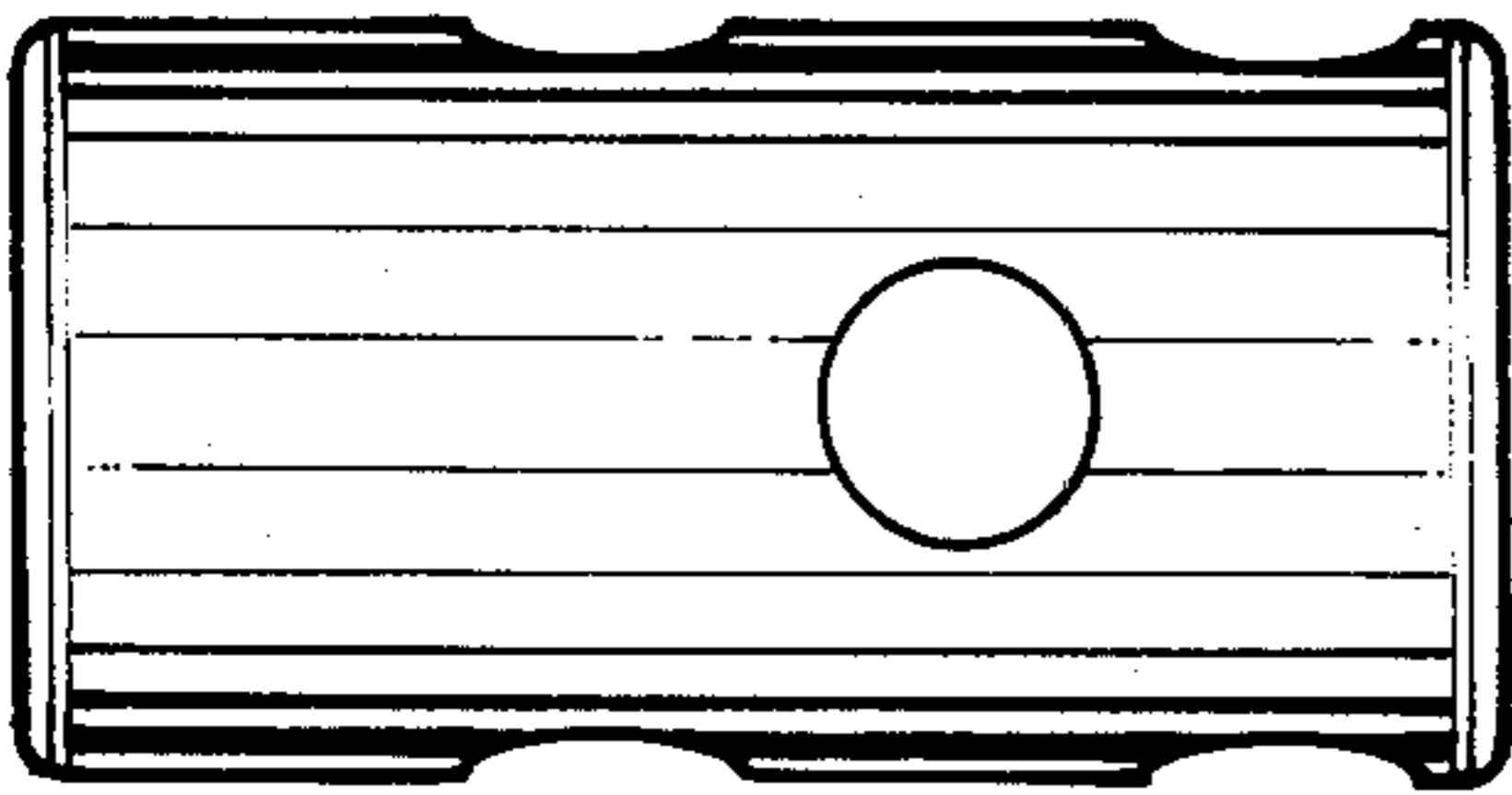


FIGURE 4

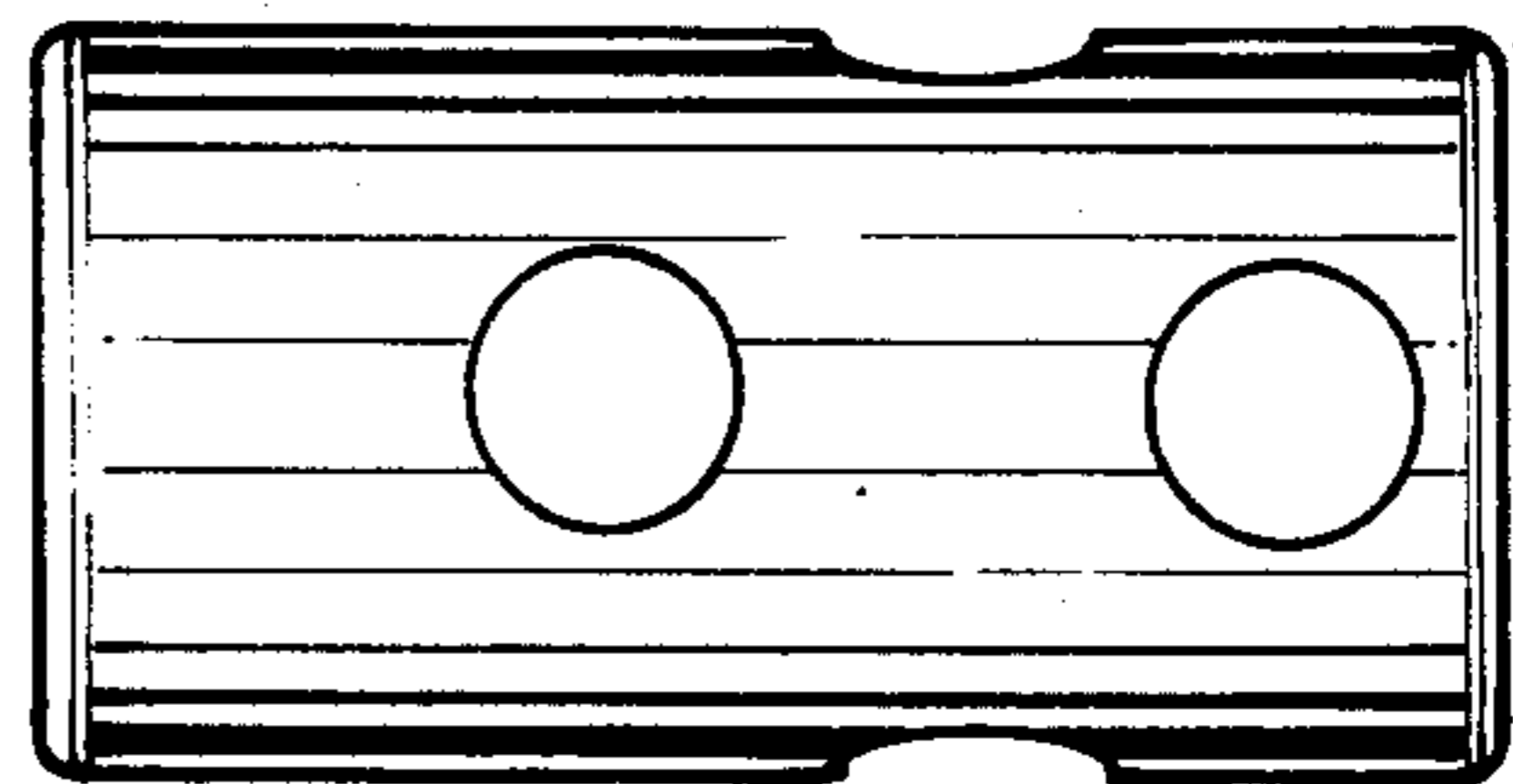


FIGURE 5

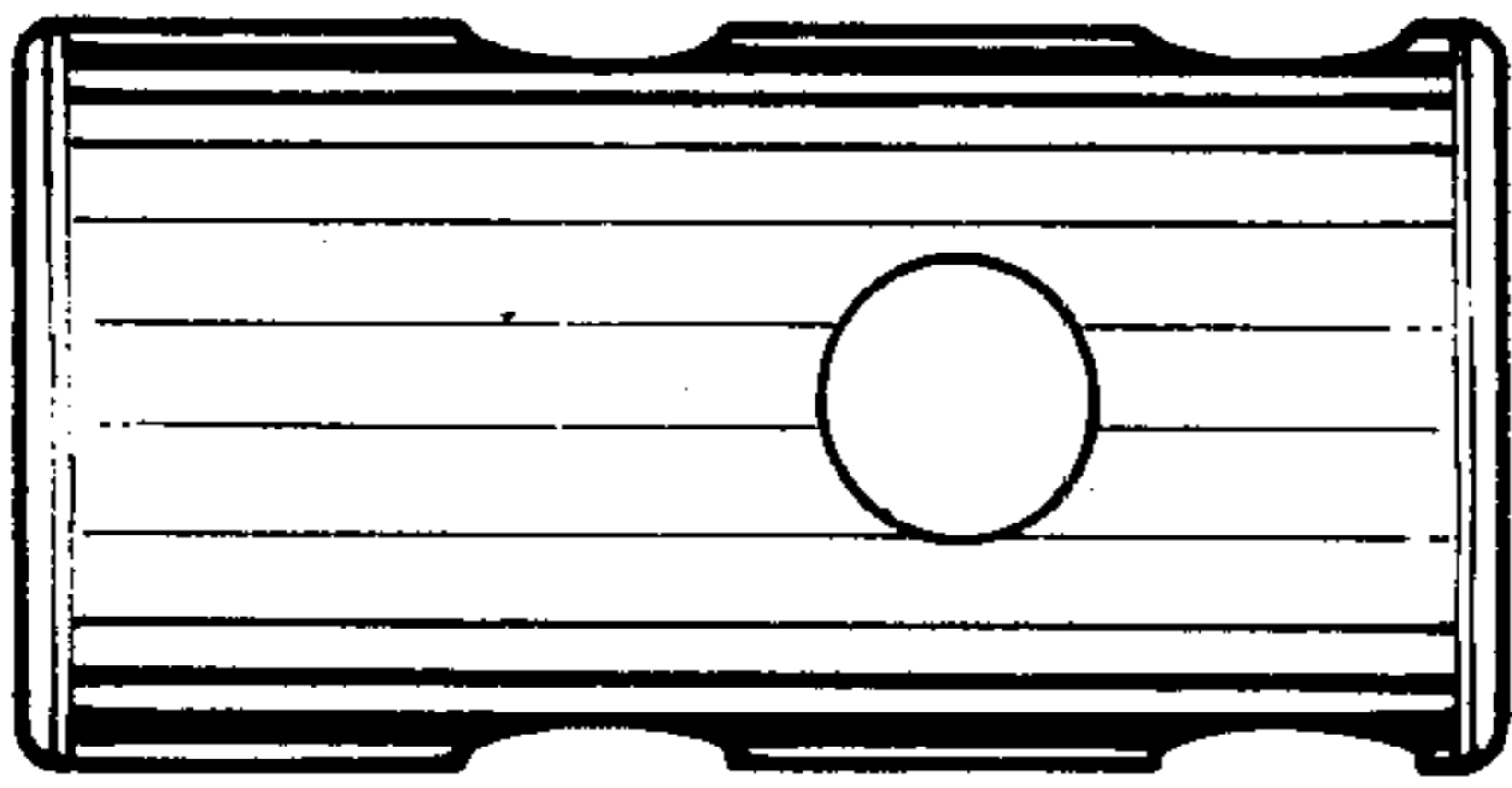


FIGURE 6

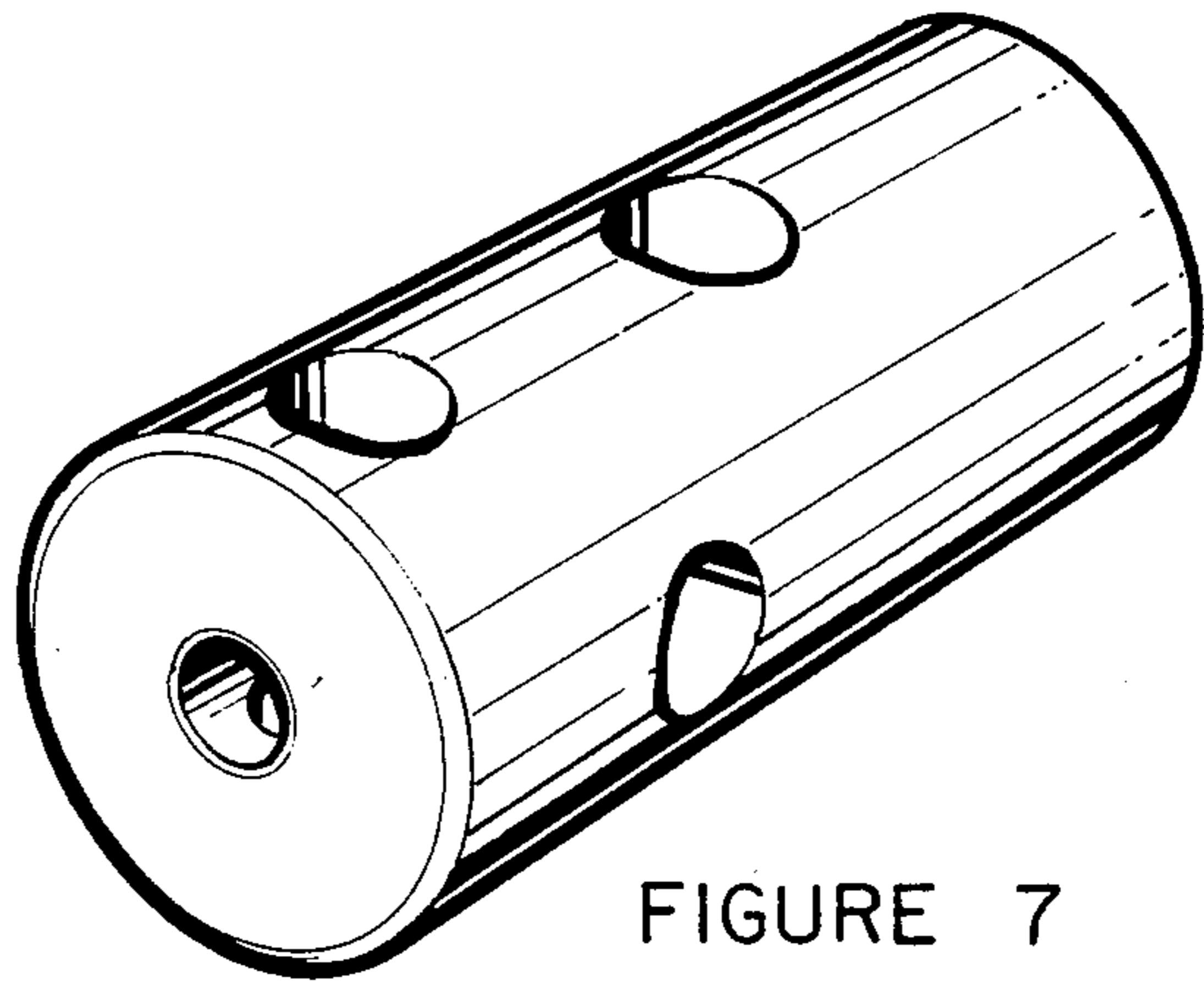


FIGURE 7

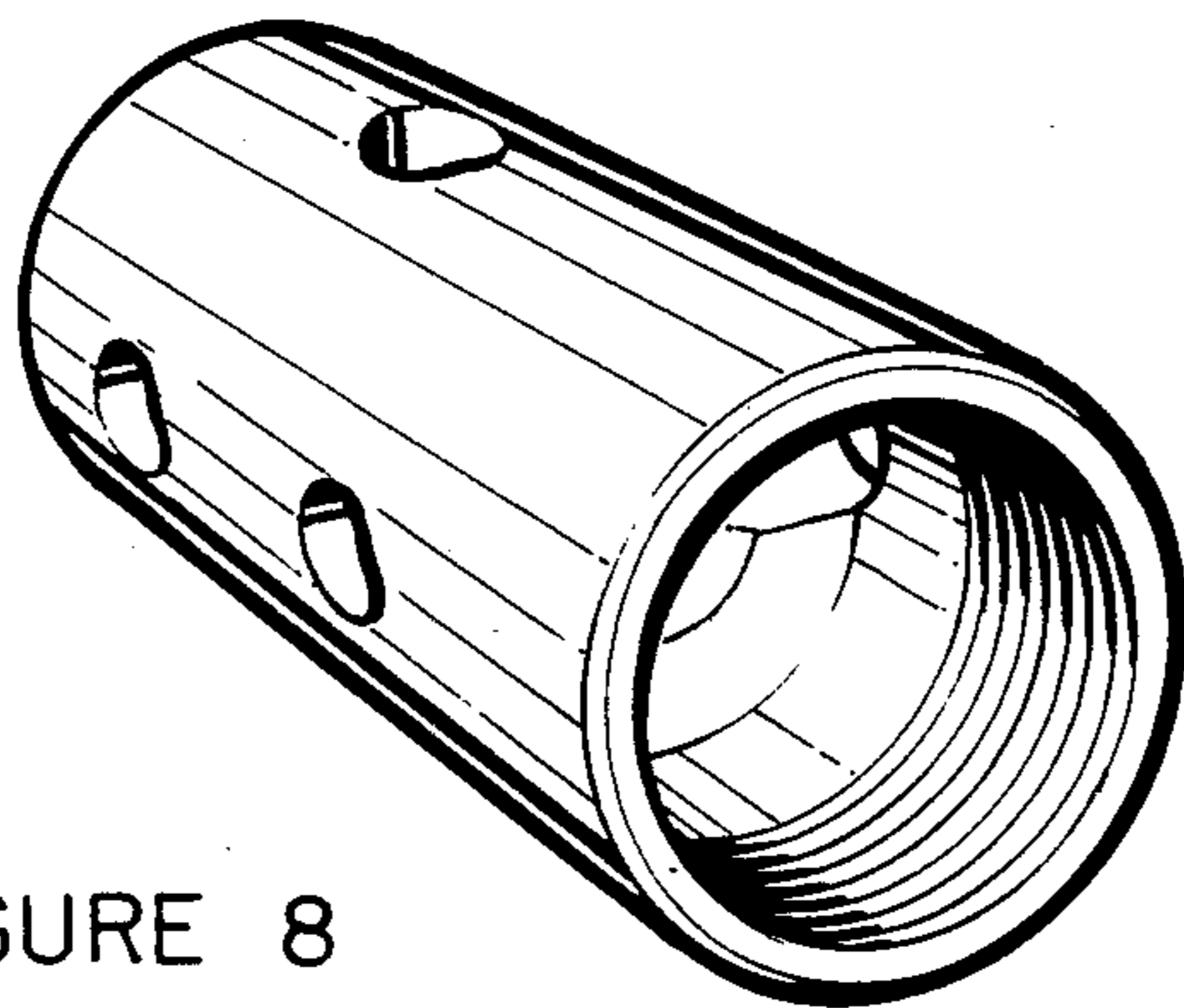


FIGURE 8