

[54] CRIB TOY

[75] Inventor: Chuk-Sun T. Ng, Hong Kong, Hong Kong

[73] Assignee: Blue Box Toy Factory Limited, Hong Kong

[\*\*] Term: 14 Years

[21] Appl. No.: 899,817

[22] Filed: Aug. 25, 1986

[30] Foreign Application Priority Data

Mar. 24, 1986 [GB] United Kingdom ..... 1033023  
[52] U.S. Cl. .... D21/64; D21/63  
[58] Field of Search ..... D21/59, 63, 64, 65;  
446/227, 396, 491

[56]

References Cited

U.S. PATENT DOCUMENTS

D. 280,837	10/1985	Takei	.....	D21/64
3,341,968	9/1967	Suchowski	.....	446/396
4,028,843	6/1977	Appel	.....	446/227
4,600,399	7/1986	Abe	.....	446/227
4,670,820	6/1987	Eddins et al.	.....	446/227

Primary Examiner—Charles A. Rademaker  
Attorney, Agent, or Firm—Pollock, Vande Sande & Priddy

[57]

CLAIM

The ornamental design for a crib toy, as shown.

DESCRIPTION

FIG. 1 is a front elevational view of a crib toy showing my new design;  
FIG. 2 is a rear elevational view thereof;  
FIG. 3 is a side elevational view thereof;  
FIG. 4 is a side elevational view of the side opposite that shown in FIG. 3;  
FIG. 5 is a top plan view thereof; and  
FIG. 6 is a bottom plan view thereof.

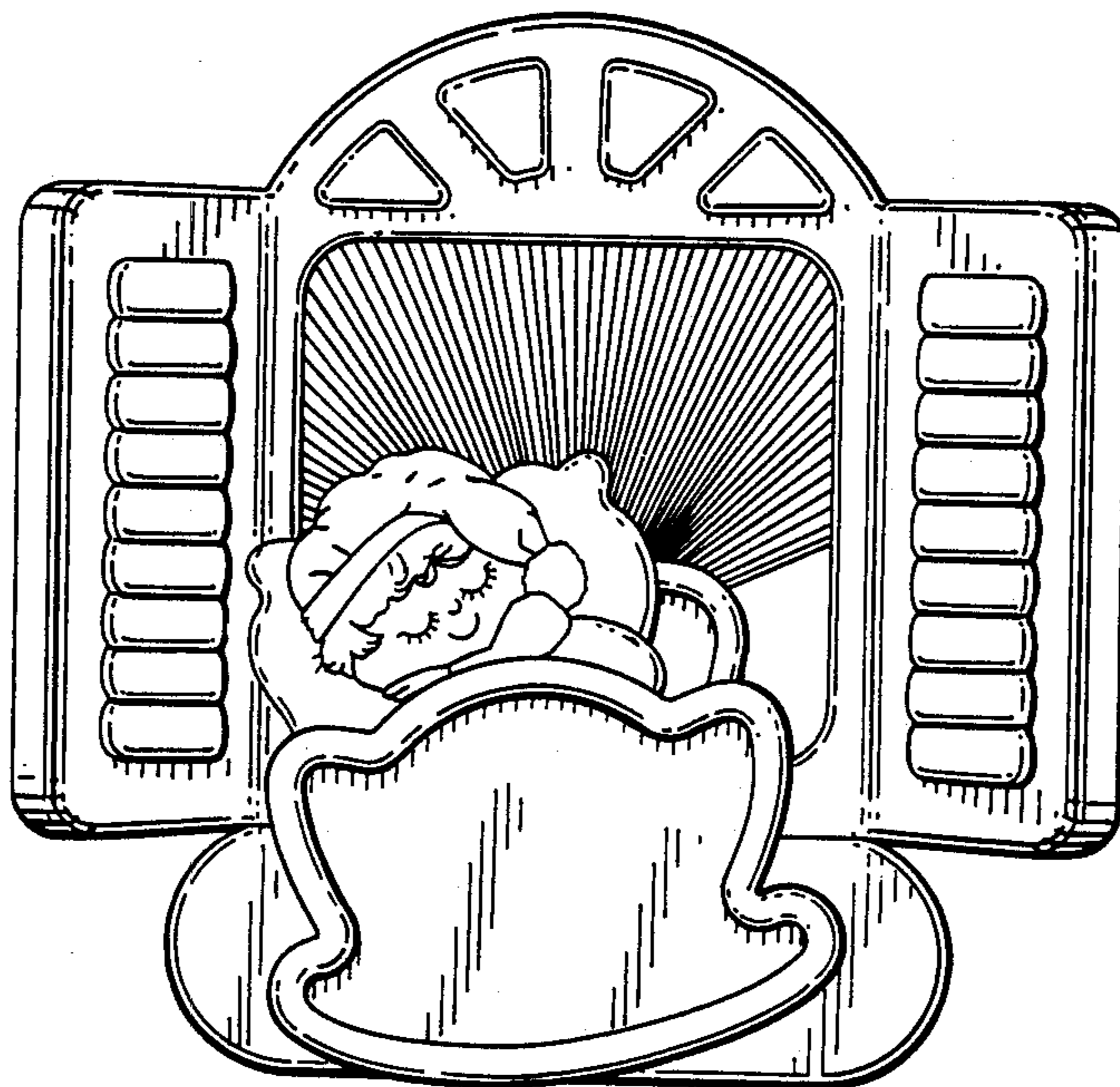


FIG. 1.

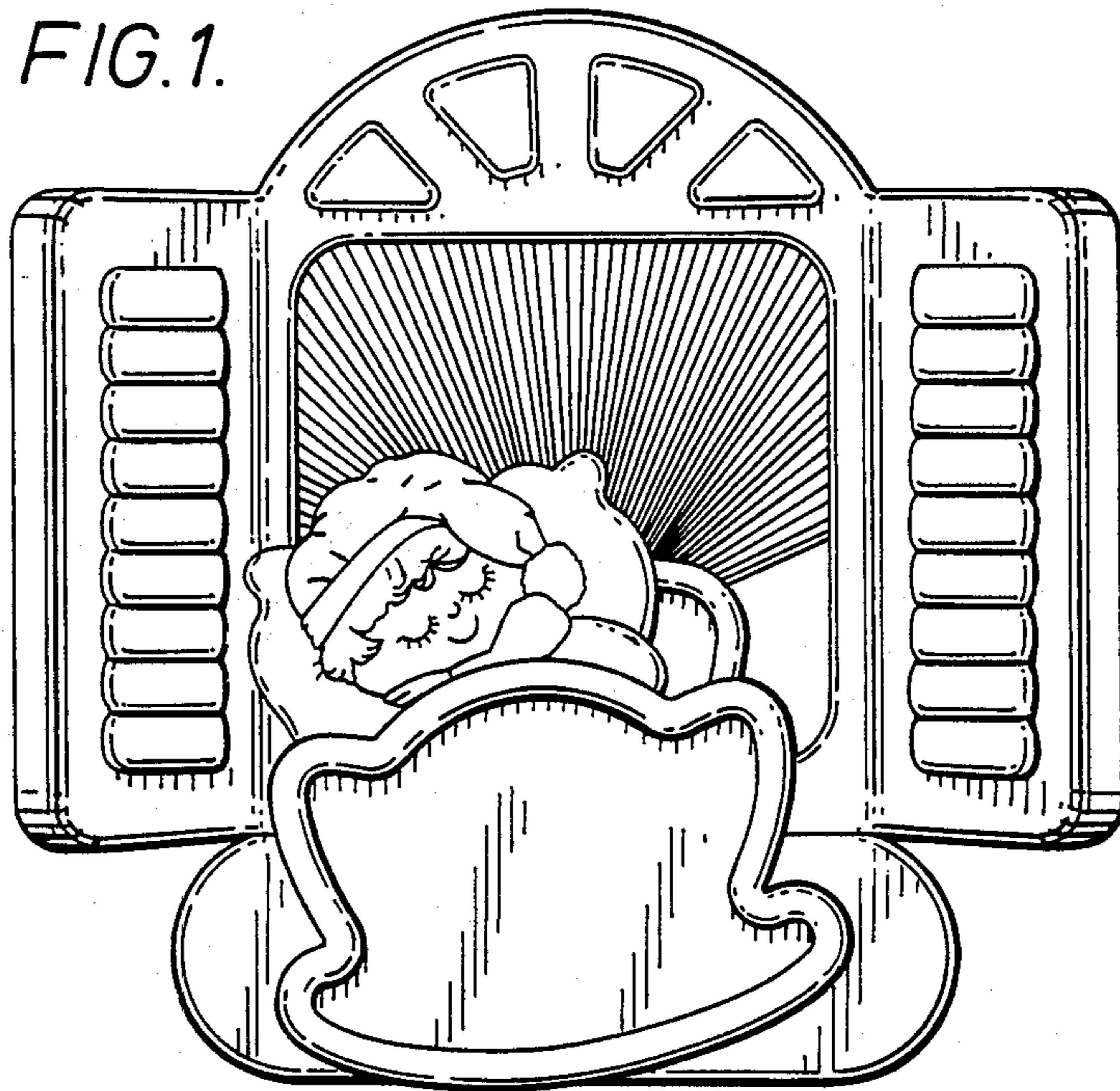


FIG. 2.

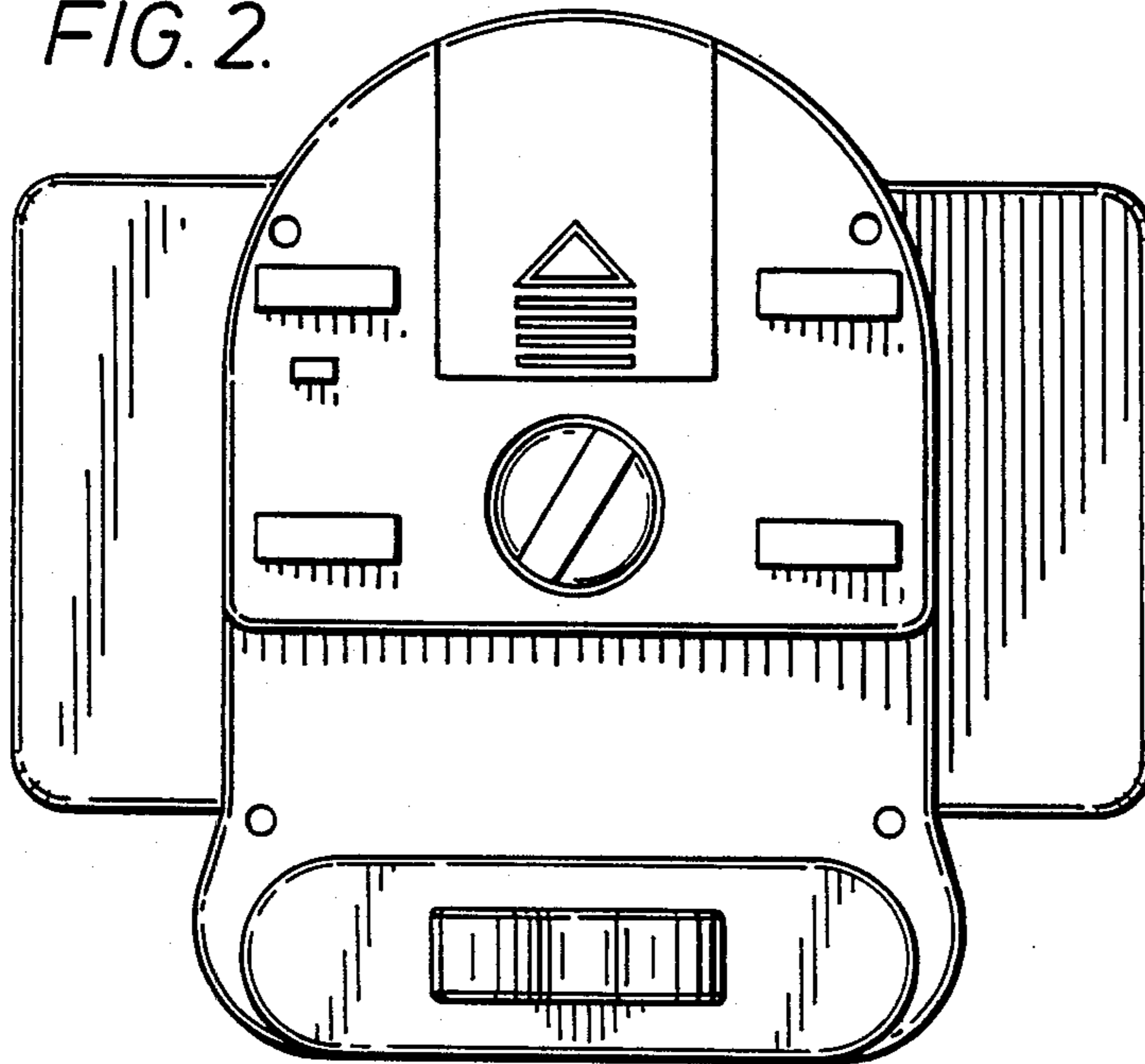


FIG. 3.

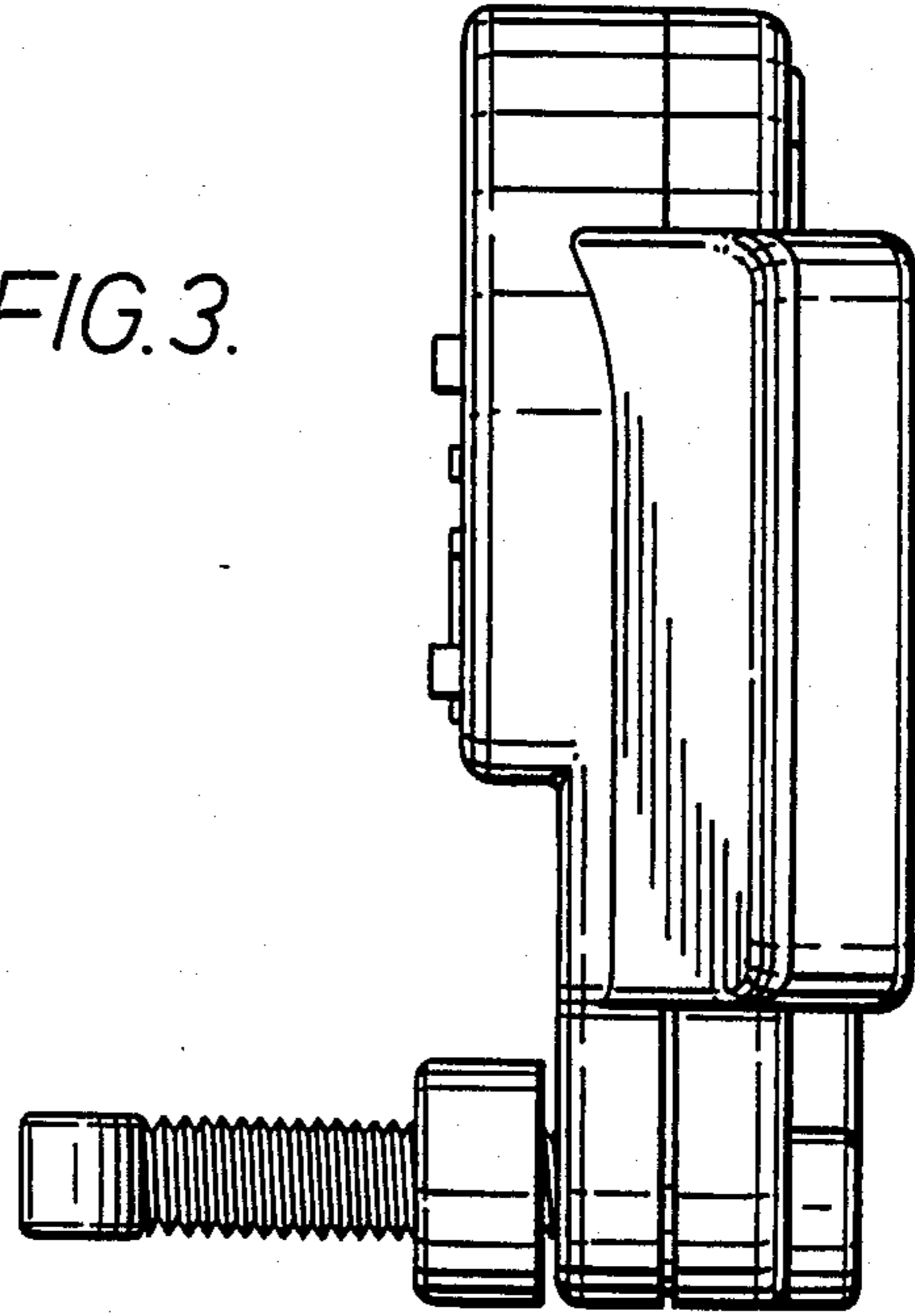
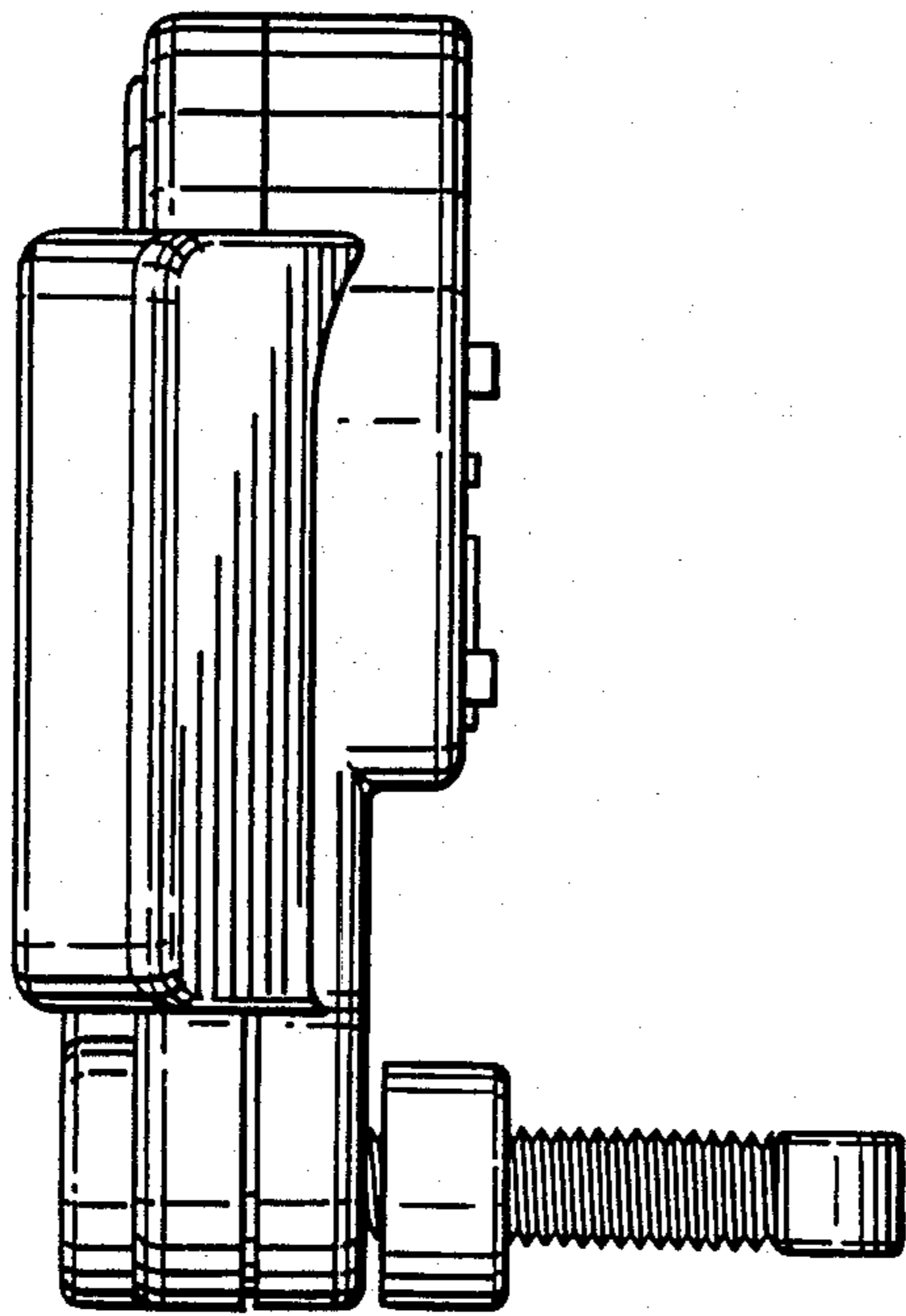


FIG. 4.



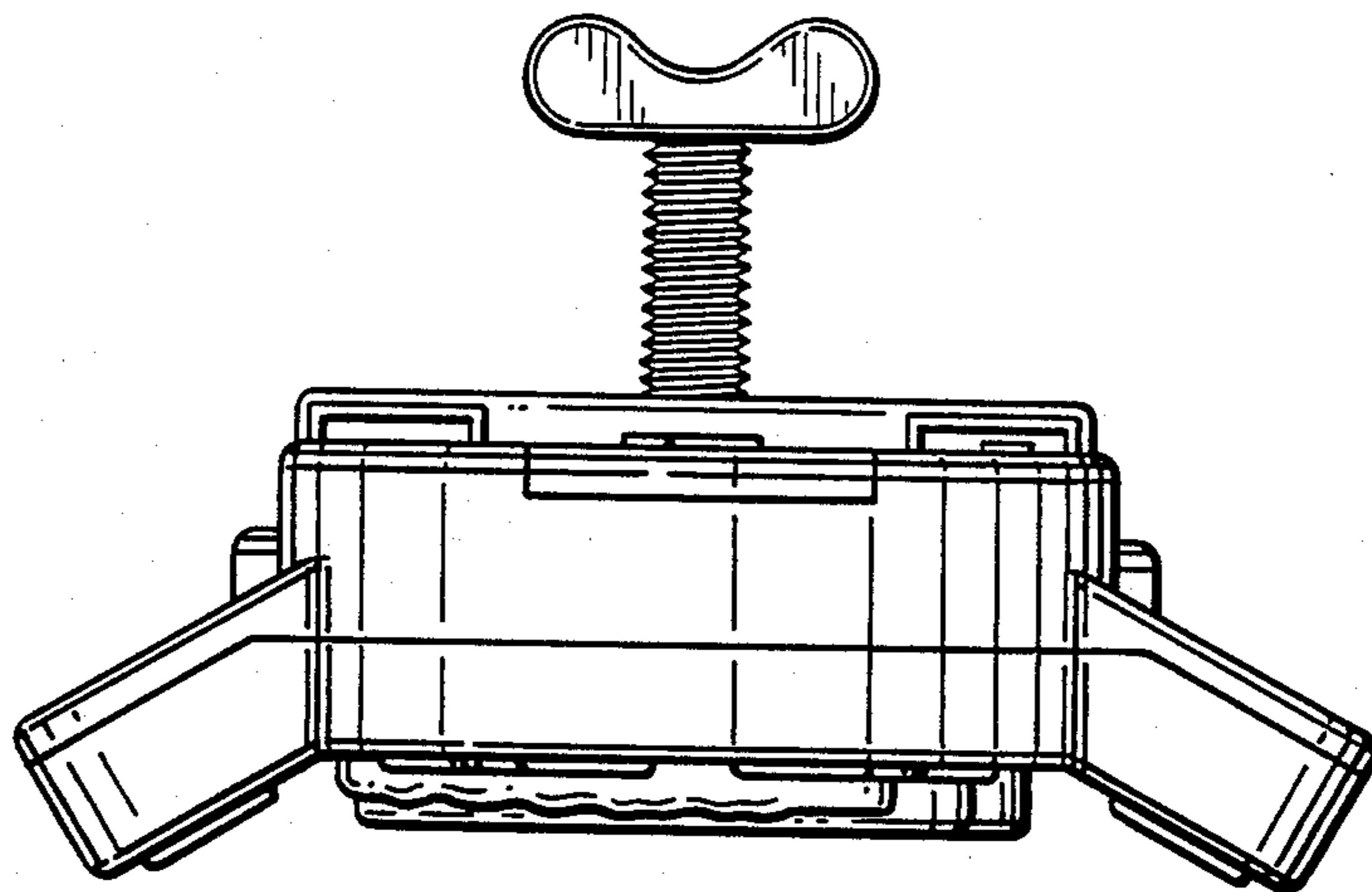


FIG. 5.

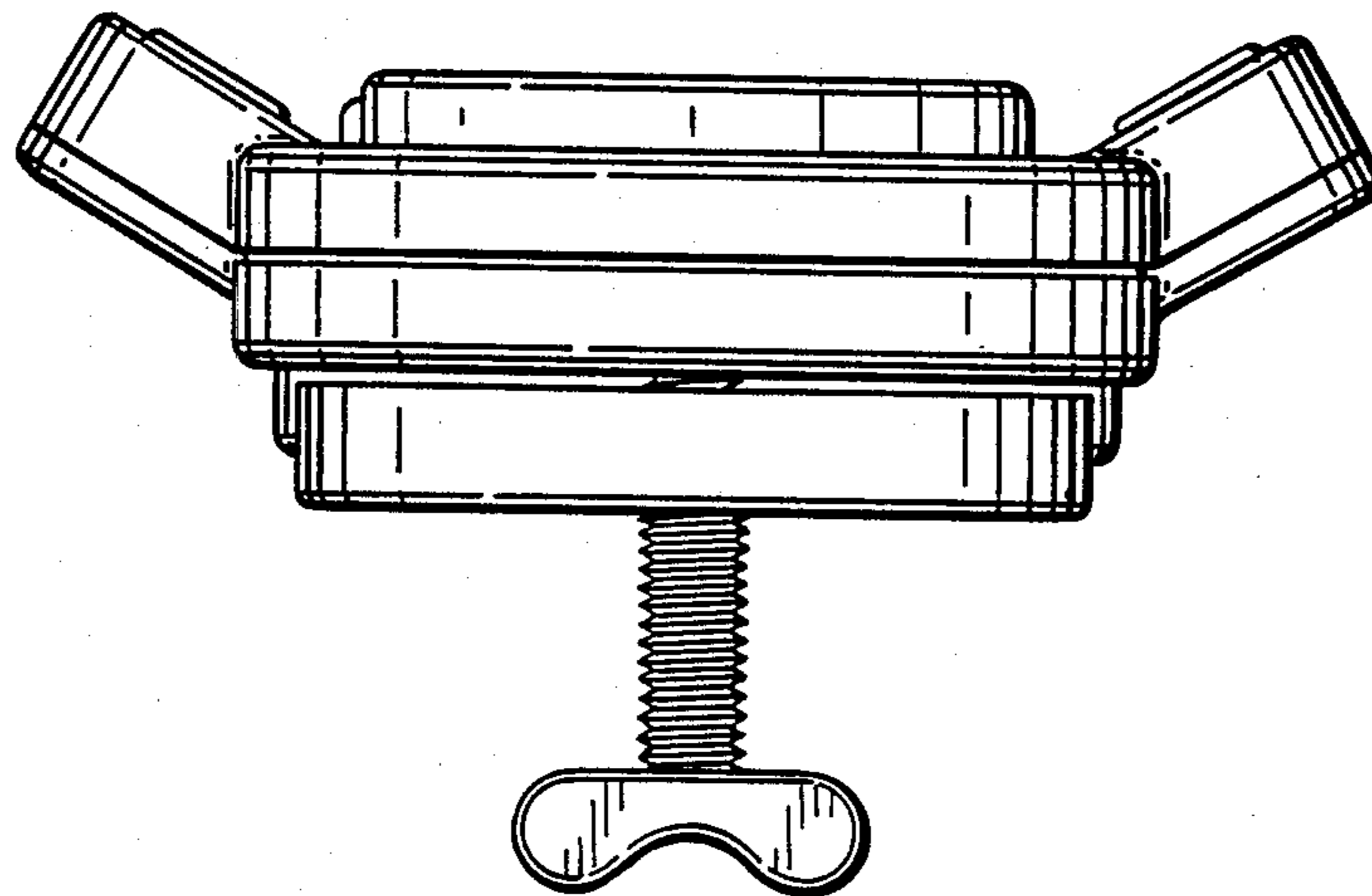


FIG. 6.