

**United States Patent** [19]  
**Mayuzumi**

[11] **Patent Number: Des. 300,752**  
[45] **Date of Patent: \*\* Apr. 18, 1989**

[54] **TOY MANIPULATOR**

[75] **Inventor: Masaki Mayuzumi, Tokyo, Japan**  
[73] **Assignee: Tomy Kogyo Co., Inc., Tokyo, Japan**

[\*\*] **Term: 14 Years**

[21] **Appl. No.: 888,444**

[22] **Filed: Jul. 23, 1986**

[30] **Foreign Application Priority Data**

Jan. 31, 1986 [JP] Japan ..... 61-3265  
[52] **U.S. Cl. .... D21/59; D21/124**  
[58] **Field of Search ..... D21/59, 124, 128, 109;  
D34/28; 446/390, 328, 383**

[56]

**References Cited**

**U.S. PATENT DOCUMENTS**

D. 185,571	6/1959	Reed et al. ....	D21/59
3,594,947	7/1971	Hartling et al. ....	446/390
4,315,650	2/1982	Yoshida .....	446/390
4,583,957	4/1986	Levy .....	446/390
4,626,164	12/1986	Chang .....	446/390

*Primary Examiner*—Charles A. Rademaker  
*Attorney, Agent, or Firm*—Staas & Halsey

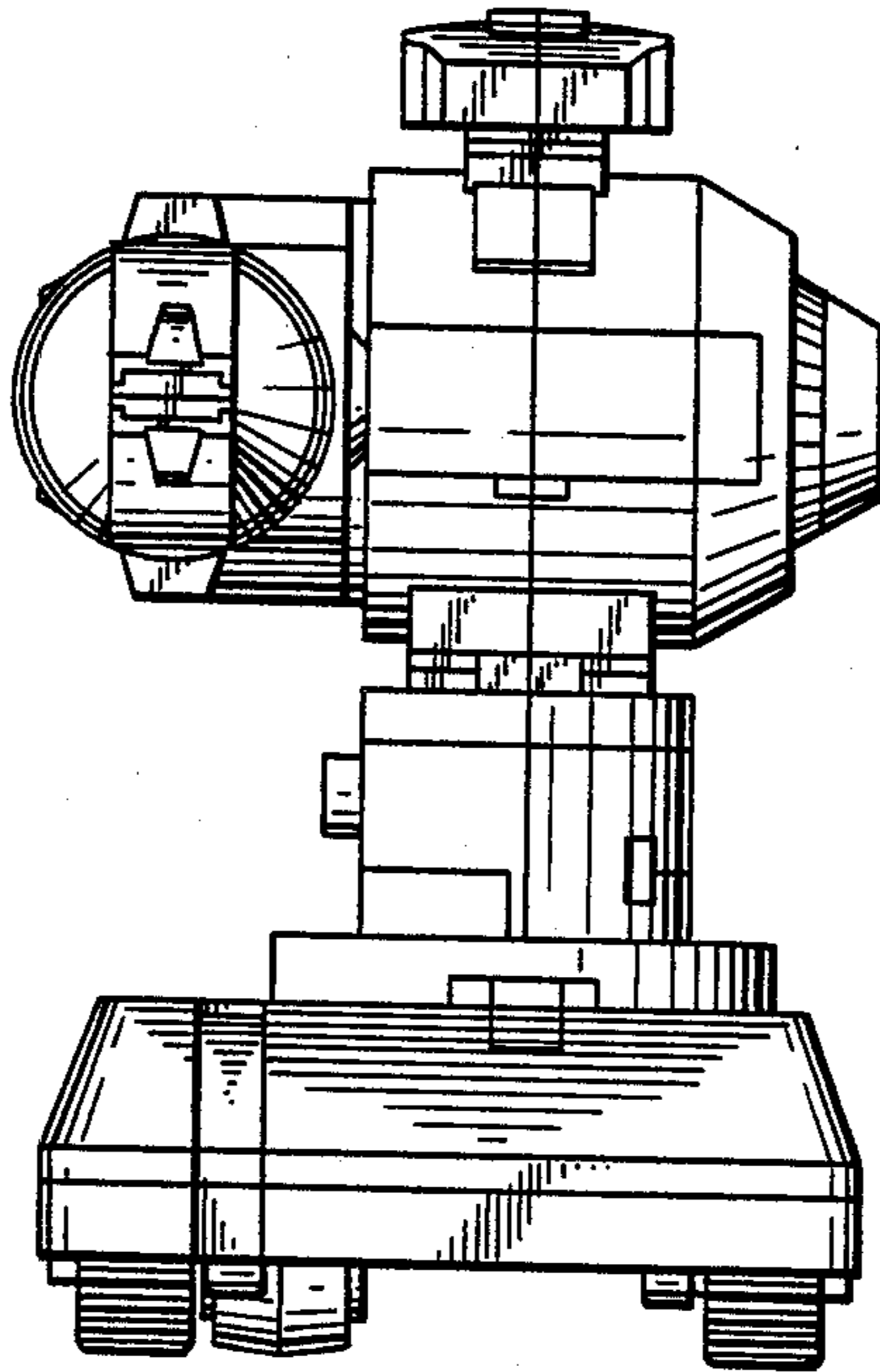
[57]

**CLAIM**

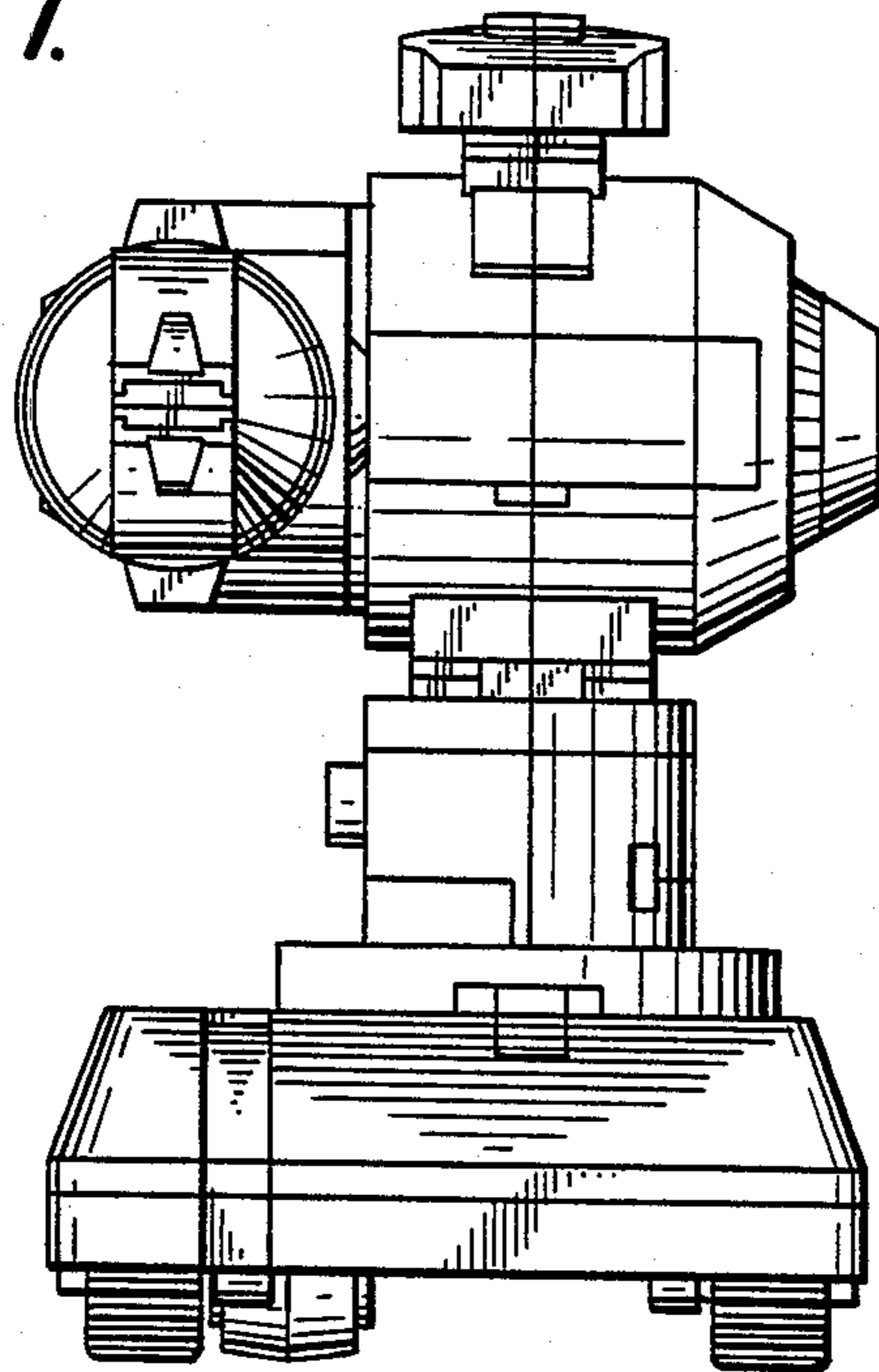
The ornamental design for a toy manipulator, as shown.

**DESCRIPTION**

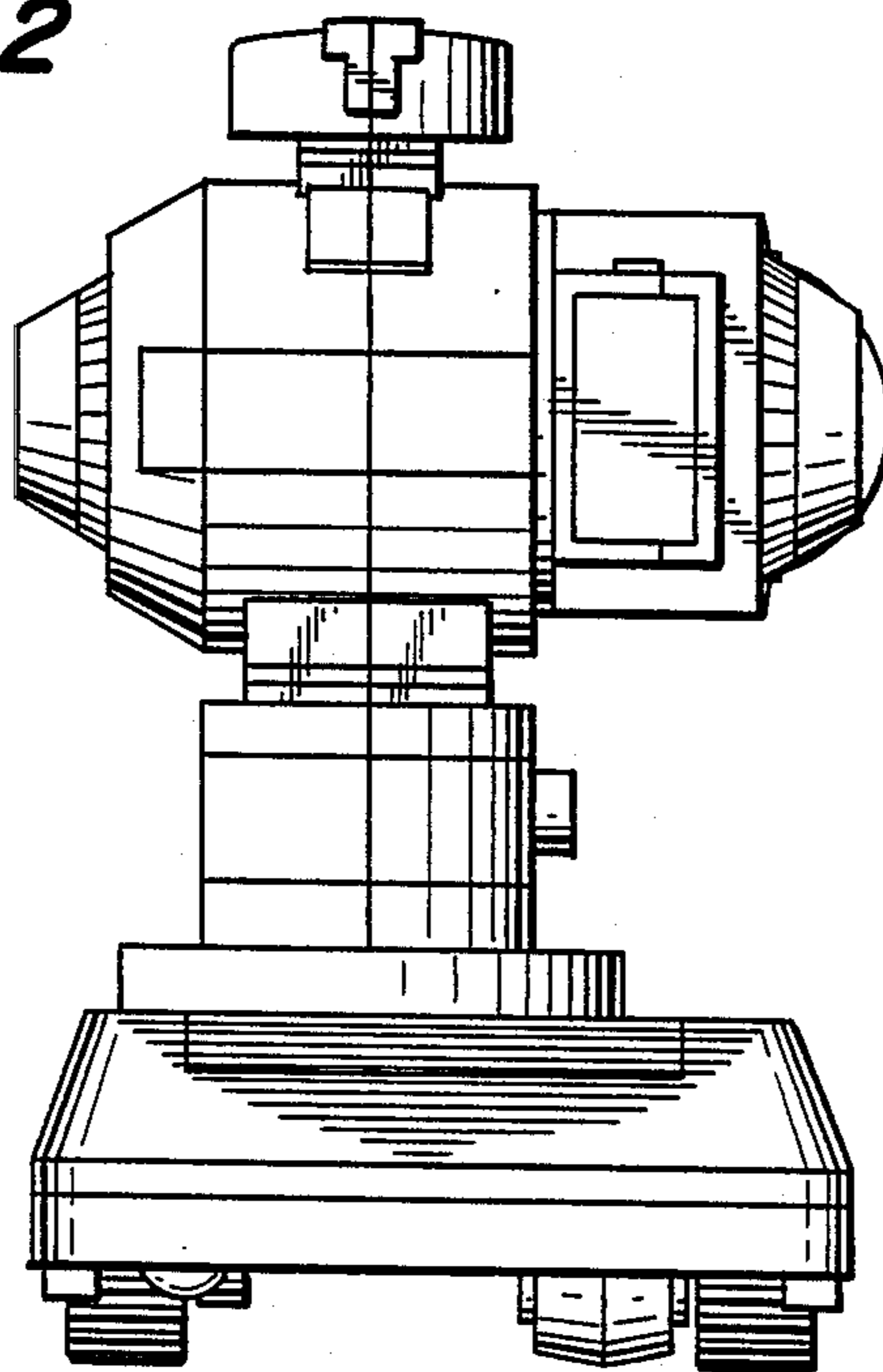
FIG. 1 is a front elevational view of a toy manipulator showing my new design;  
FIG. 2 is a rear elevational view thereof;  
FIG. 3 is a right side elevational view thereof;  
FIG. 4 is a left side elevational view thereof;  
FIG. 5 is a top plan view thereof; and  
FIG. 6 is a bottom plan view thereof.



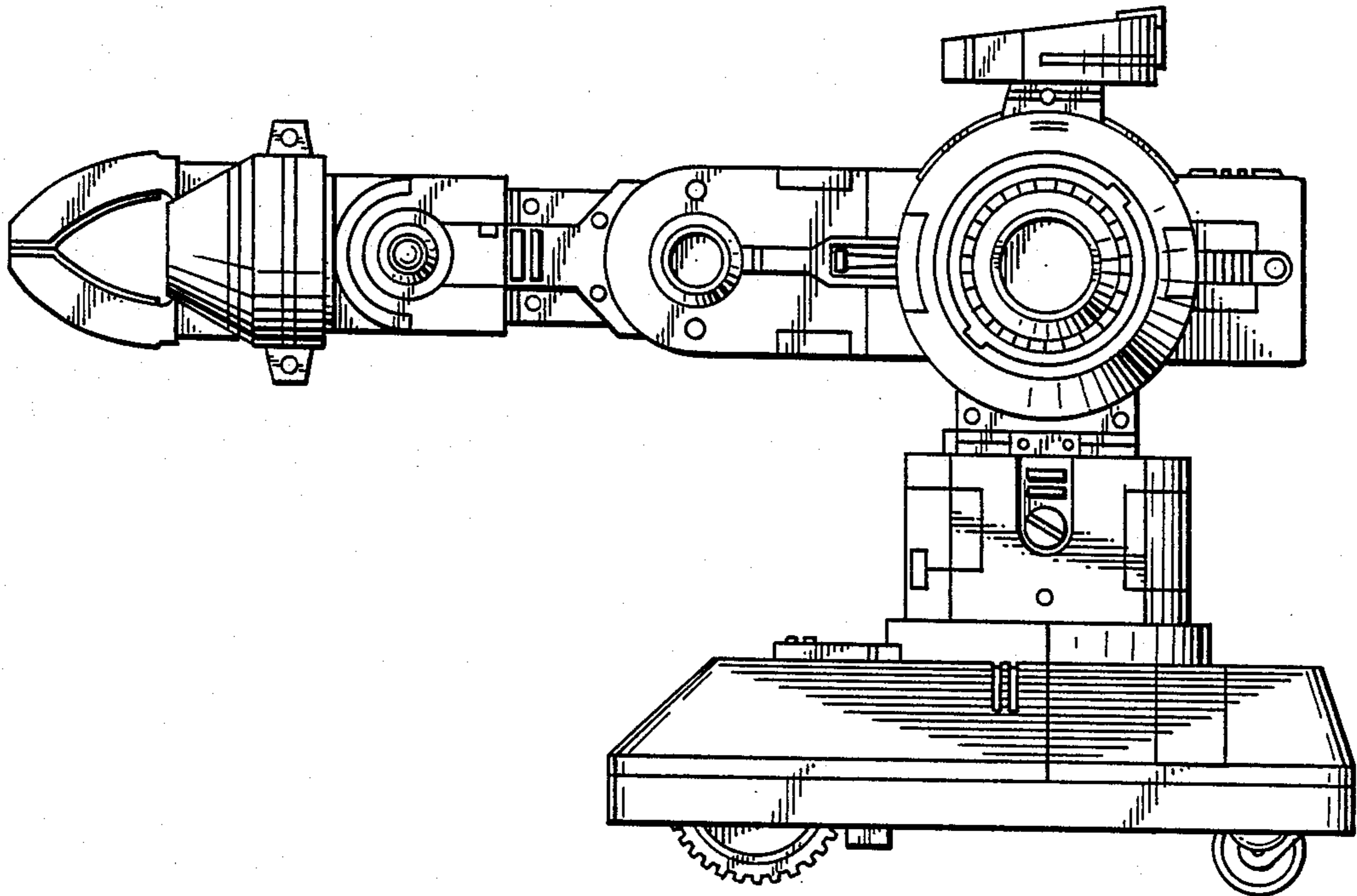
**FIG. 1.**



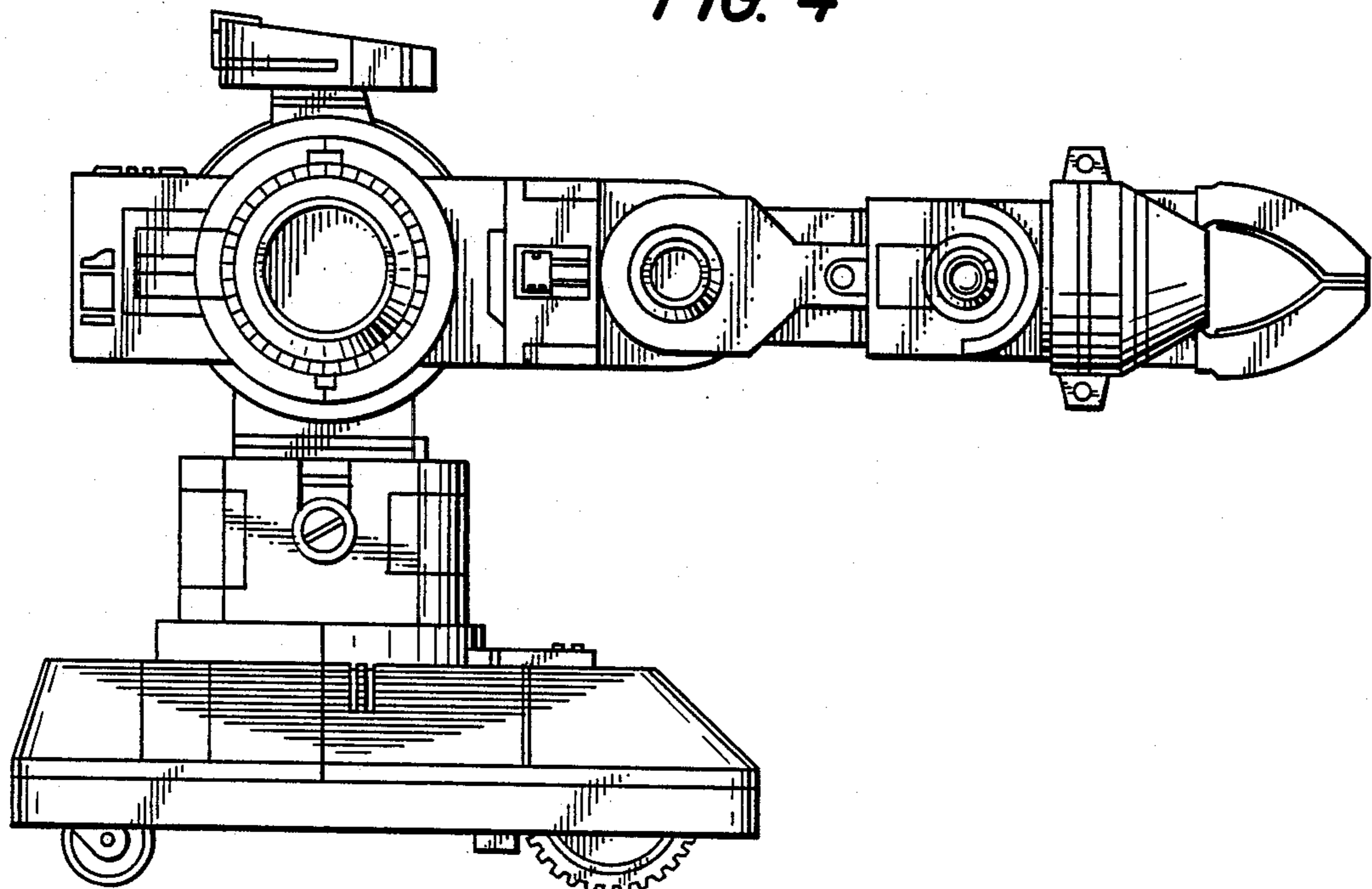
**FIG. 2**



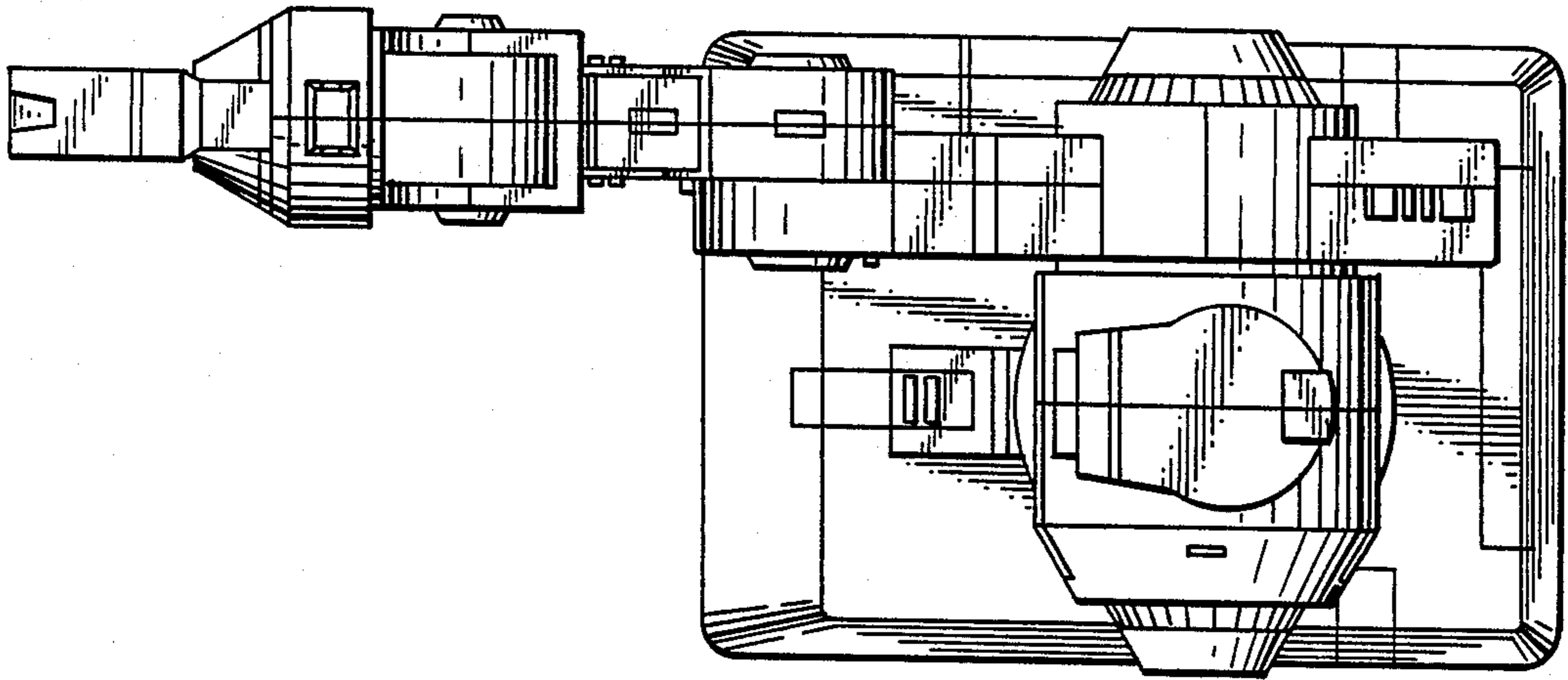
**FIG. 3**



**FIG. 4**



**FIG. 5**



**FIG. 6**

