

United States Patent [19]

Mead

[11] Patent Number: Des. 300,750

[45] Date of Patent: ** Apr. 18, 1989

[54] DISPENSER FOR PACKAGING TAPE

[75] Inventor: Gary G. Mead, Santa Ana, Calif.

[73] Assignee: Spartan Container Corp., Orange, Calif.

[**] Term: 14 Years

[21] Appl. No.: 899,603

[22] Filed: Aug. 25, 1986

[52] U.S. Cl. D19/67

[58] Field of Search D19/67-69;
225/6, 77, 56, 43, 89; 312/39

[56] References Cited

U.S. PATENT DOCUMENTS

D. 125,085	2/1941	Jackson	D19/69
D. 175,066	7/1955	Emmert	D19/69
D. 197,496	2/1964	Kusek	D19/69
D. 218,861	9/1970	Castelli	D19/69
2,309,396	1/1943	Jackson	206/52
2,333,378	11/1943	Jackson	242/55.5
2,414,333	1/1947	Schieman	206/52
2,640,657	6/1953	Guyer	242/55.5

2,987,232	6/1961	Burdick et al.	225/26
2,992,727	7/1961	Zeitter	206/52
3,086,309	4/1963	Katz	40/309
3,102,671	9/1963	Gershen	225/43
3,144,184	8/1964	Yerkes	225/26
3,613,973	10/1971	Jaeschke	225/47
3,815,801	6/1974	Perrin	225/47
3,913,786	10/1975	Kartasuk	221/70
3,970,230	7/1976	Horn	225/65
4,417,677	11/1983	Mead	225/26
4,570,837	2/1986	Belokin	225/77

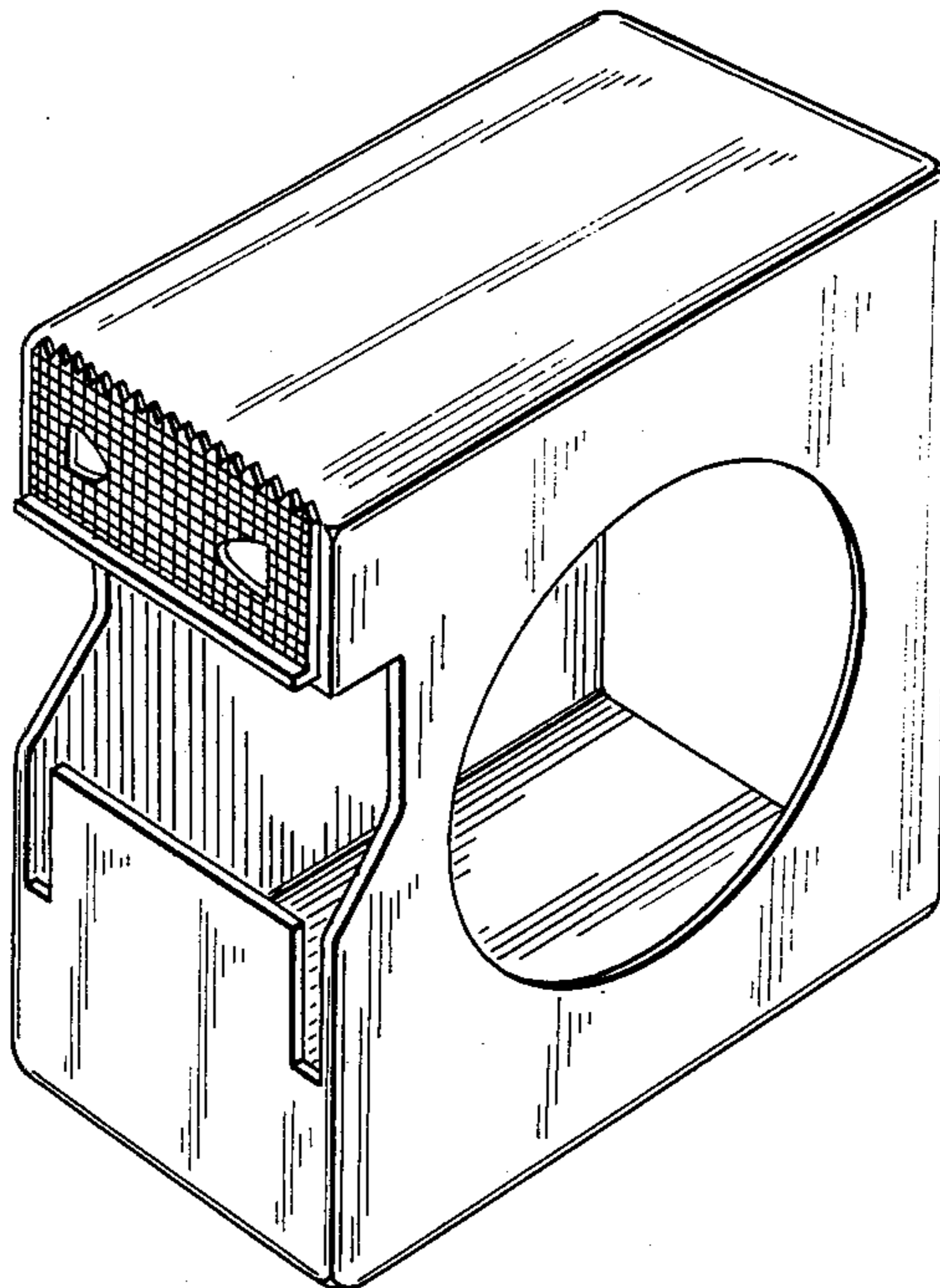
Primary Examiner—Charles A. Rademaker
Attorney, Agent, or Firm—Gausewitz, Carr & Rothenberg

[57] CLAIM

The ornamental design for a dispenser for packaging tape, as shown.

DESCRIPTION

FIG. 1 is a perspective view of a dispenser for packaging tape, showing my new design; FIG. 2 is a front elevational view thereof; and FIG. 3 is a rear perspective view thereof.



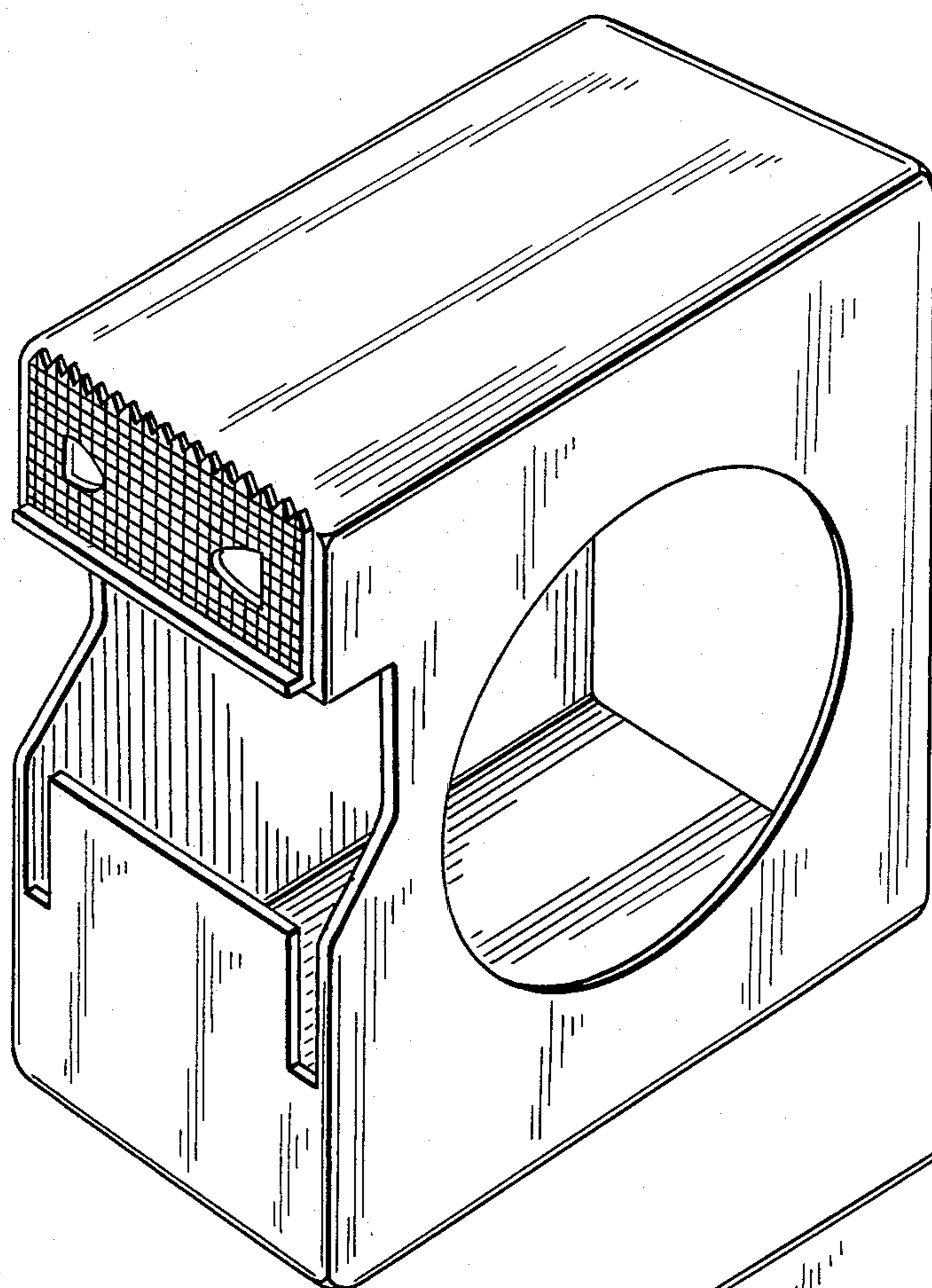


FIG. 1

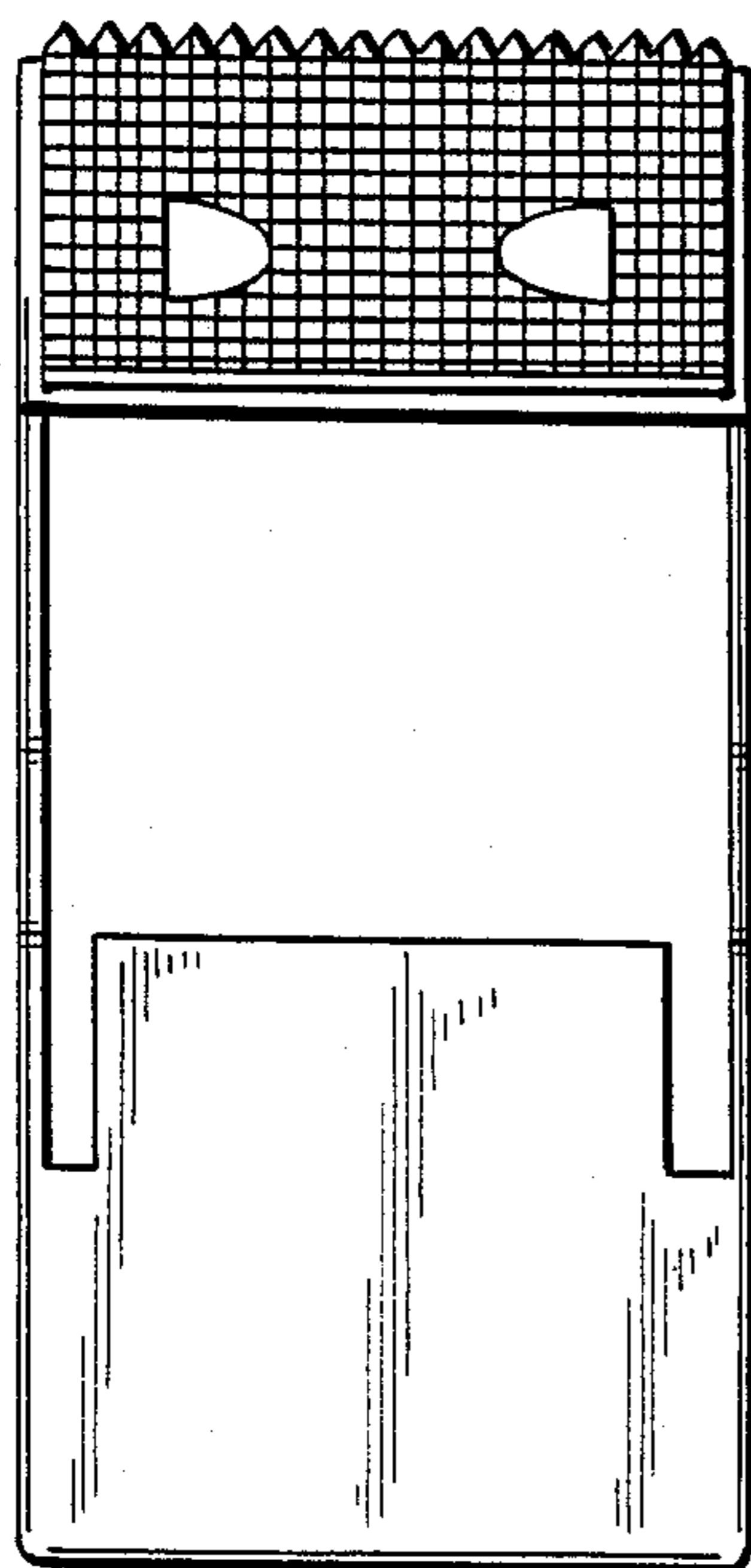


FIG. 2

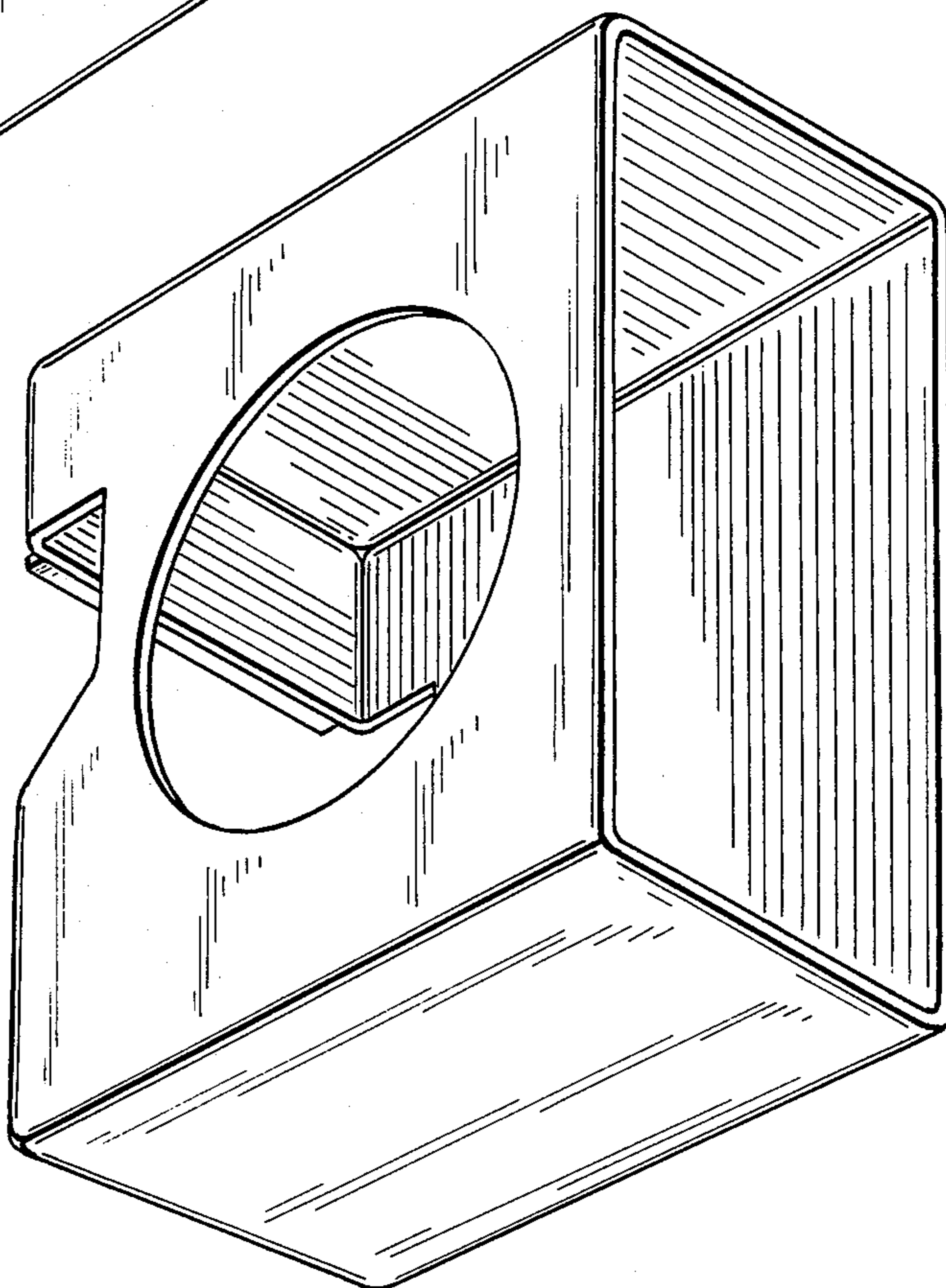


FIG. 3