

[54] COMBINED SEWING MACHINE AND COVER

[75] Inventor: Olindo Baruffa, Geneva, Switzerland

[73] Assignee: Mefina S.A., Fribourg, Switzerland

[*] Notice: The portion of the term of this patent subsequent to Apr. 18, 2003 has been disclaimed.

[**] Term: 14 Years

[21] Appl. No.: 744,333

[22] Filed: Jun. 13, 1985

[30] Foreign Application Priority Data

Dec. 13, 1984 [CH] Switzerland 114208

[52] U.S. Cl. D15/69

[58] Field of Search D15/68, 69, 70; 112/258-261

[56] References Cited

U.S. PATENT DOCUMENTS

3,741,618 6/1973 Newman 112/258

3,781,075 12/1973 Fresard 112/258

OTHER PUBLICATIONS

Vogue Patterns, Jan.-Feb., 1983, back cover, Viking Sewing Machine.

Primary Examiner—Melvin B. Feifer

[57] CLAIM

The ornamental design for a combined sewing machine and cover, as shown and described.

DESCRIPTION

FIG. 1 is a front view of the combined sewing machine and cover with the cover in the closed position embodying my new design; FIG. 2 is a left side view thereof; FIG. 3 is a right side view thereof; FIG. 4 is front view of the combined sewing machine and cover with the cover removed; FIG. 5 is a left side view thereof; FIG. 6 is a back view thereof; FIG. 7 is right side view thereof; FIG. 8 is a top plan view thereof; FIG. 9 is a bottom plan view thereof; FIG. 10 is a perspective view taken from the left of FIG. 4 and FIG. 11 is a perspective view taken from the left of the machine with the cover plate of the free arm removed.

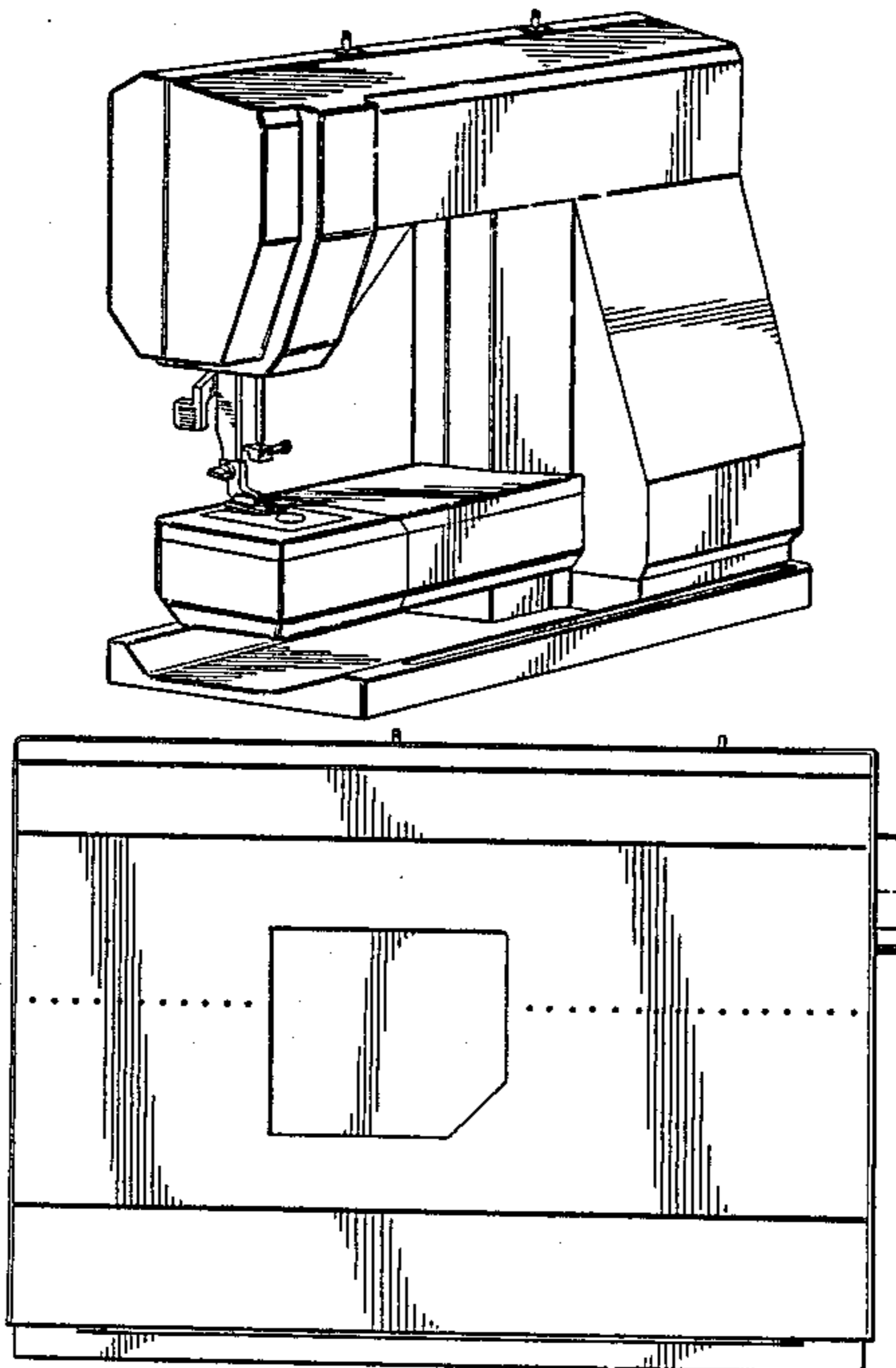


FIG 10

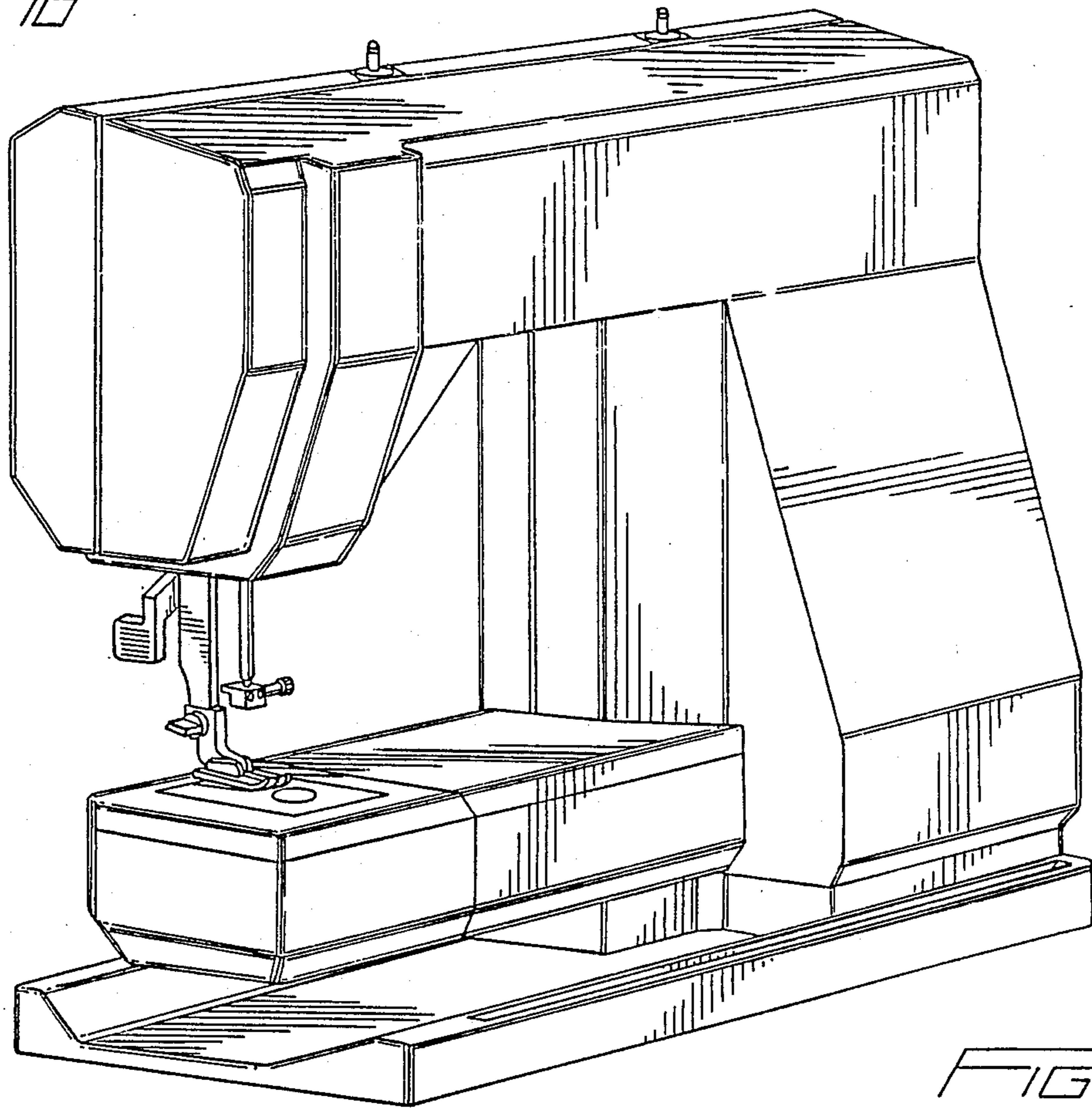


FIG 1

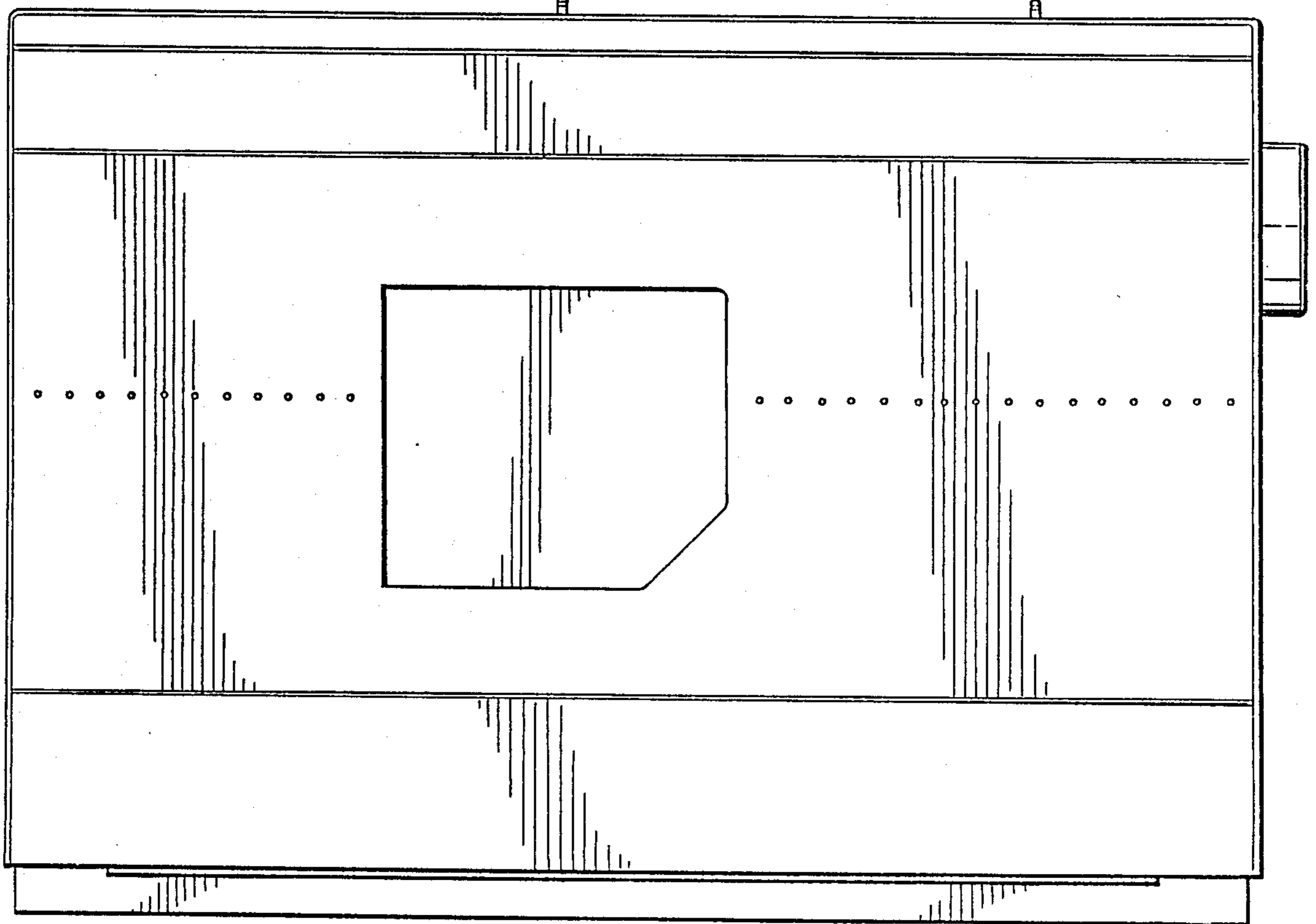


FIG 2

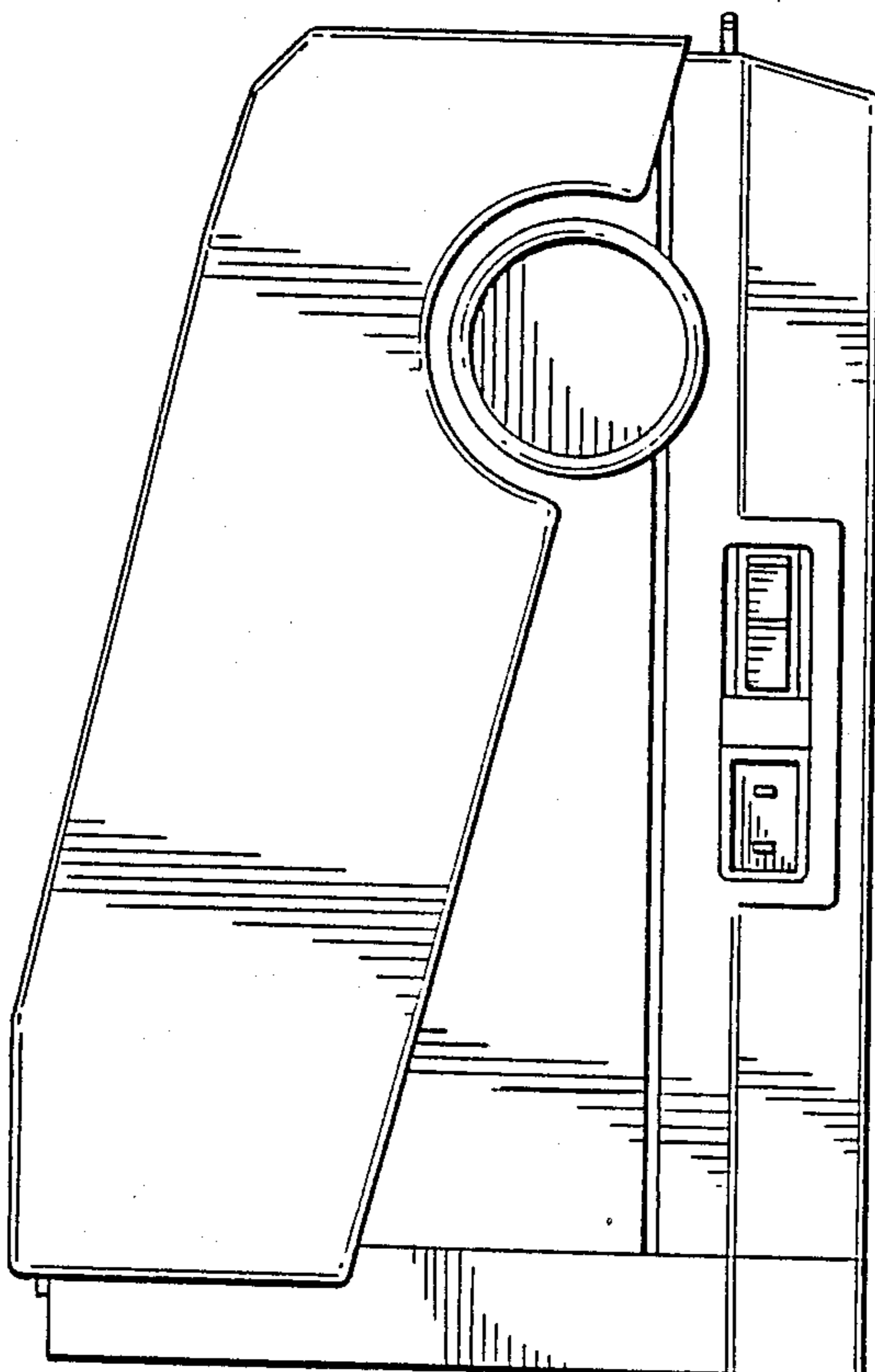
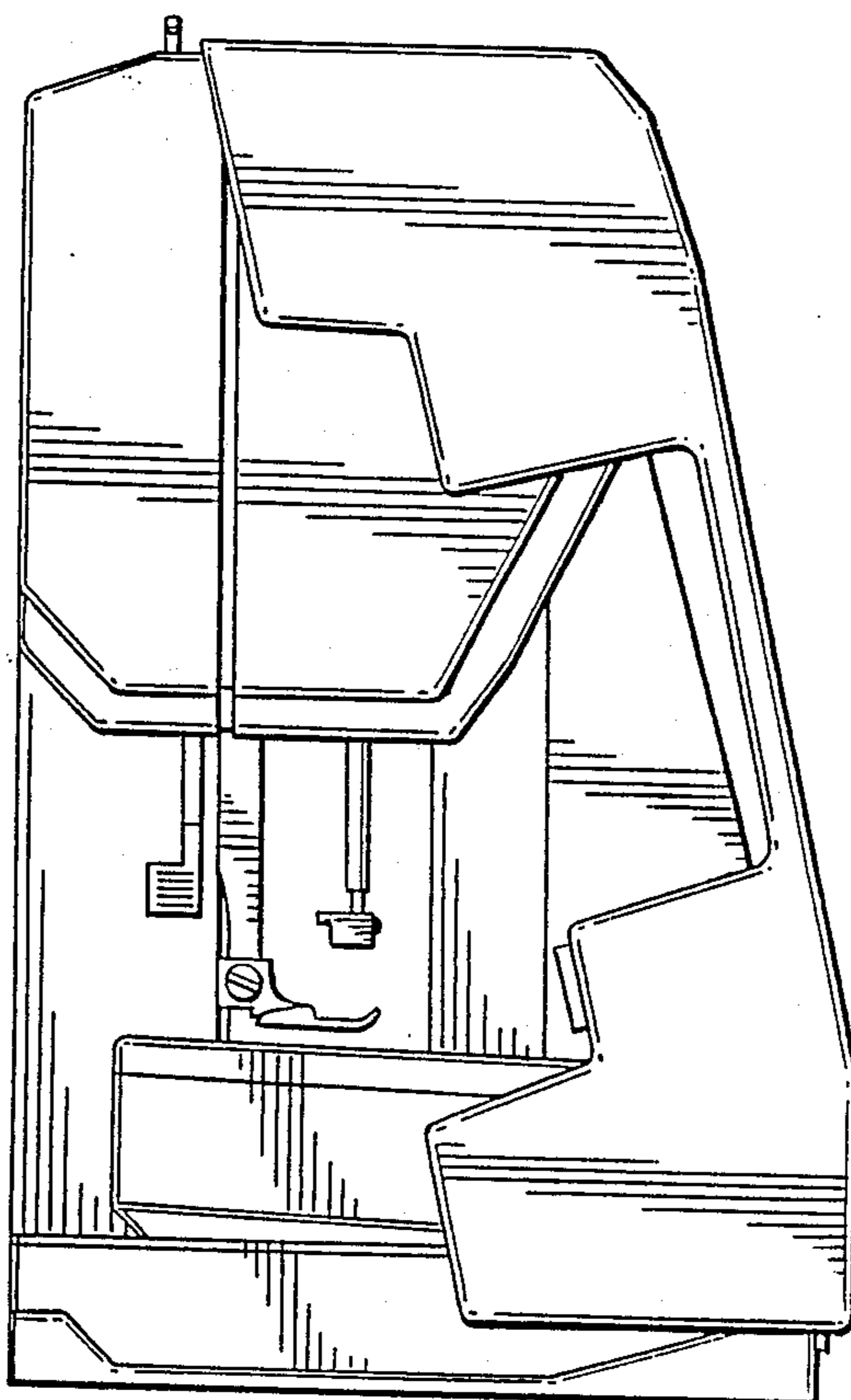


FIG 3

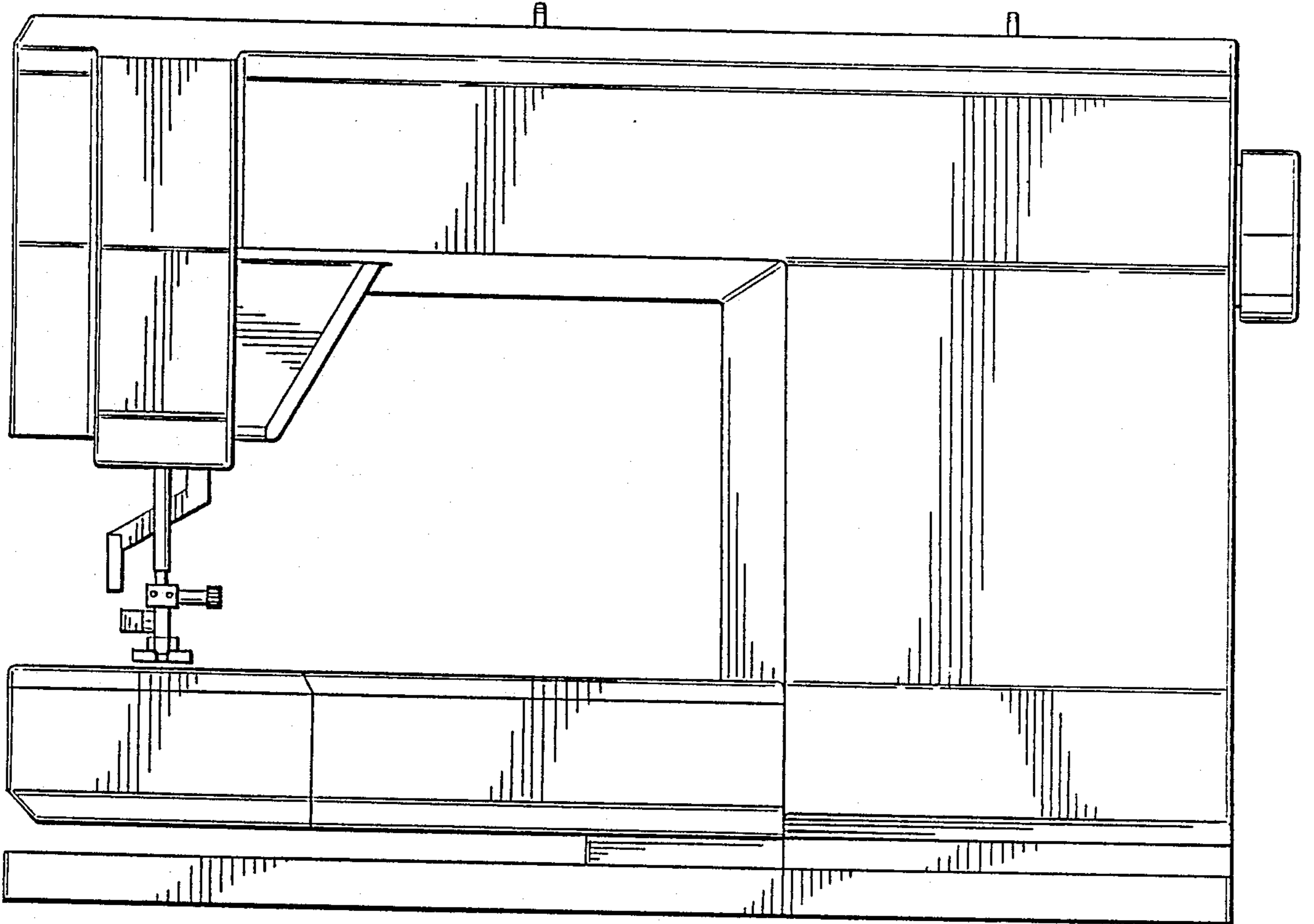
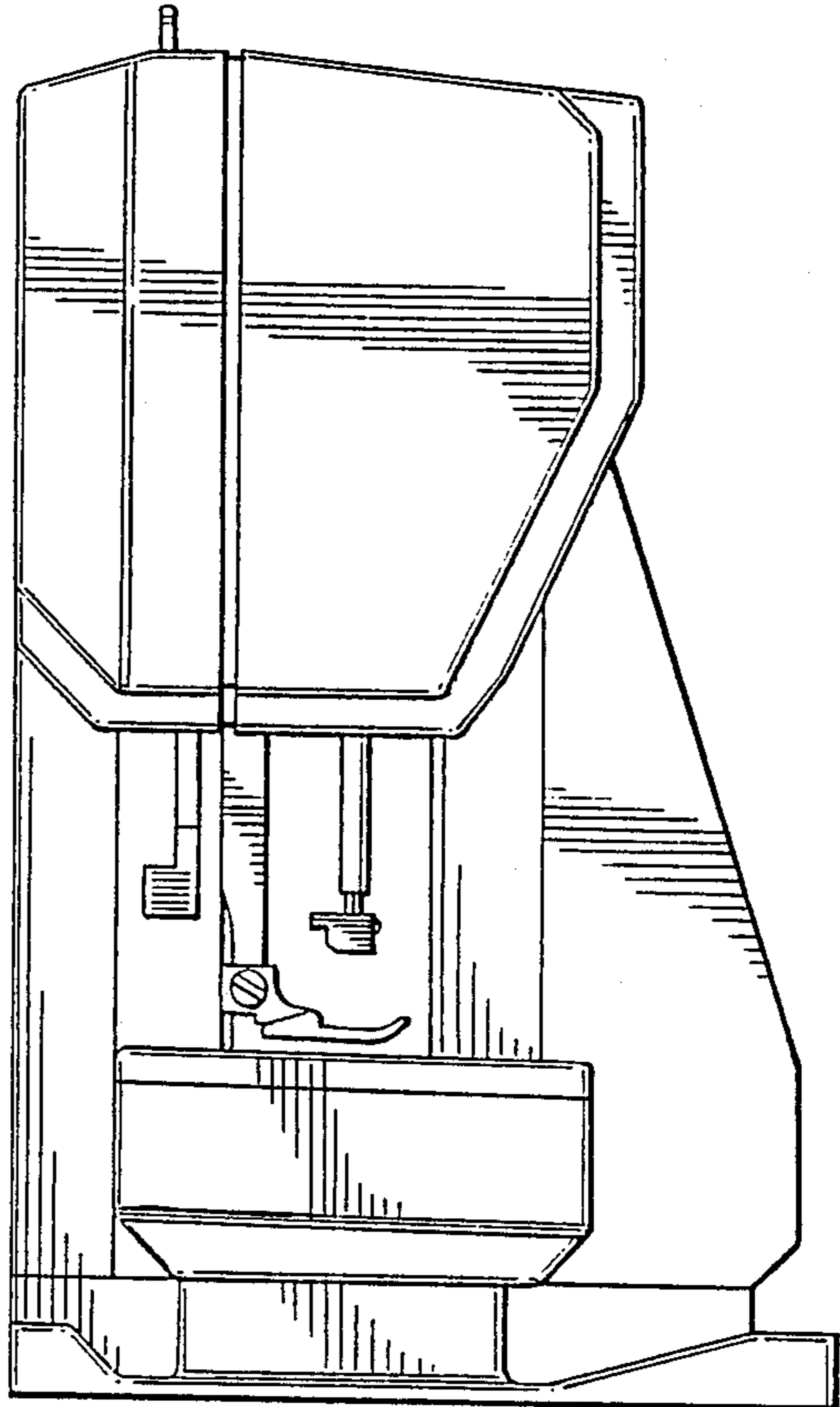


FIG 4

FIG 5



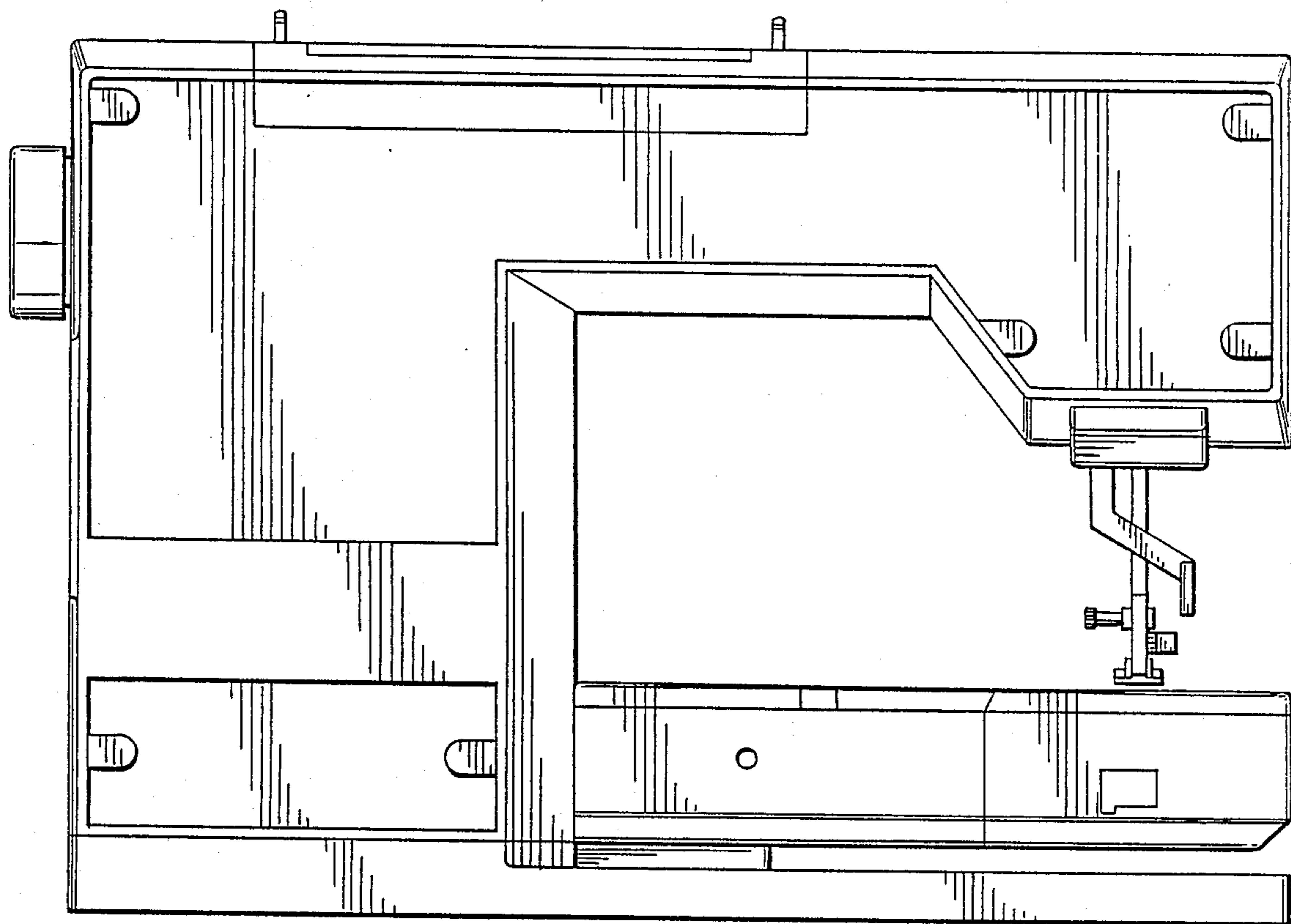
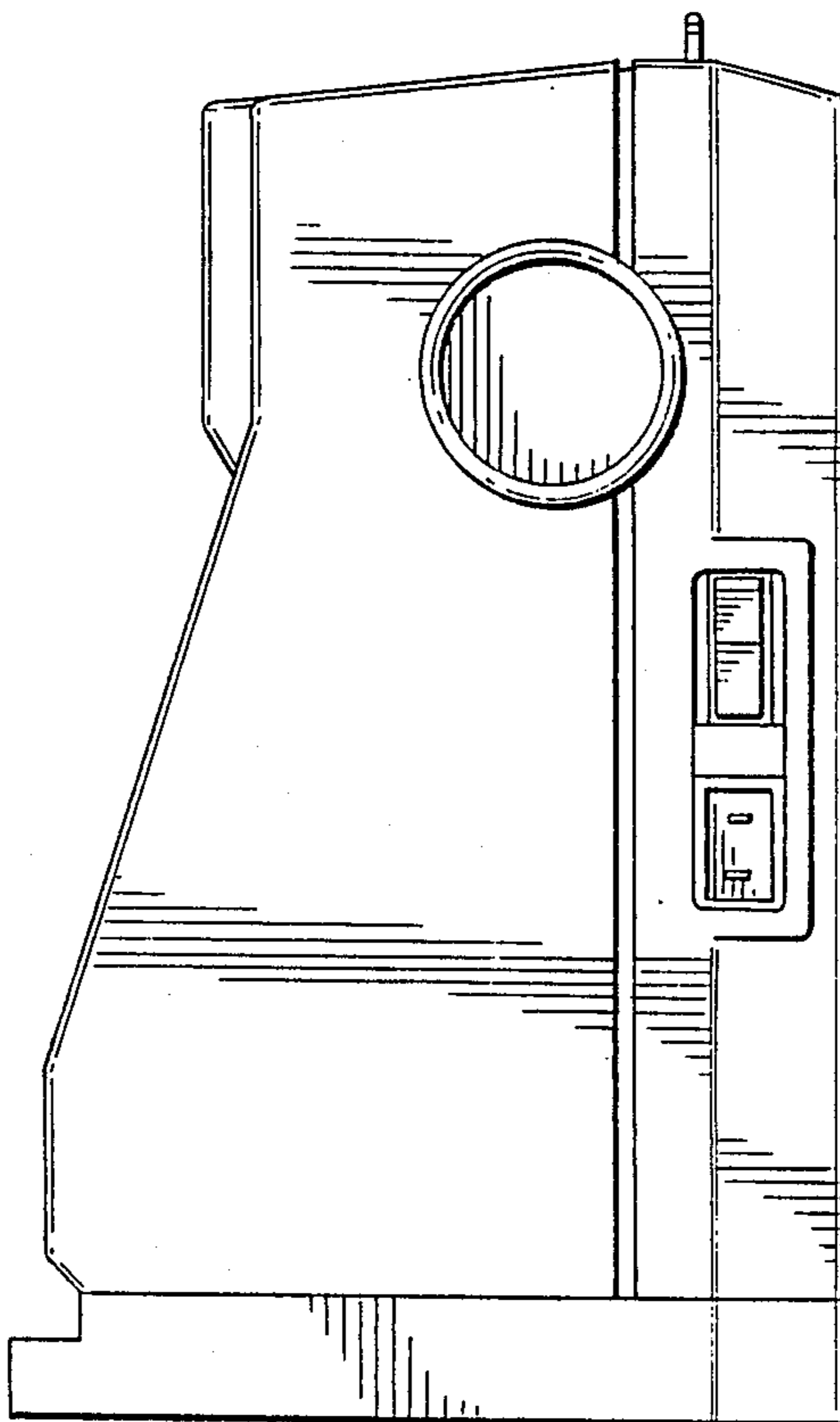


FIG 6

FIG 7



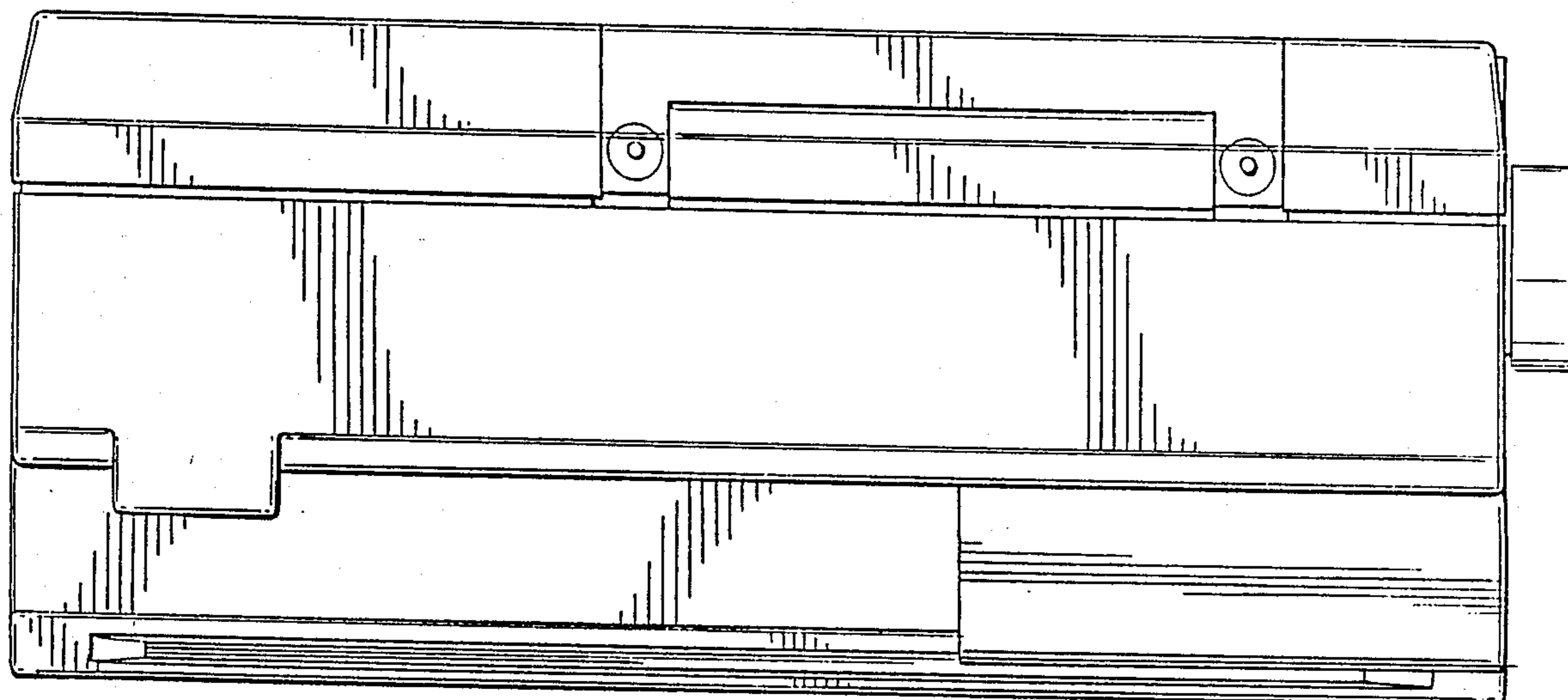


FIG 8

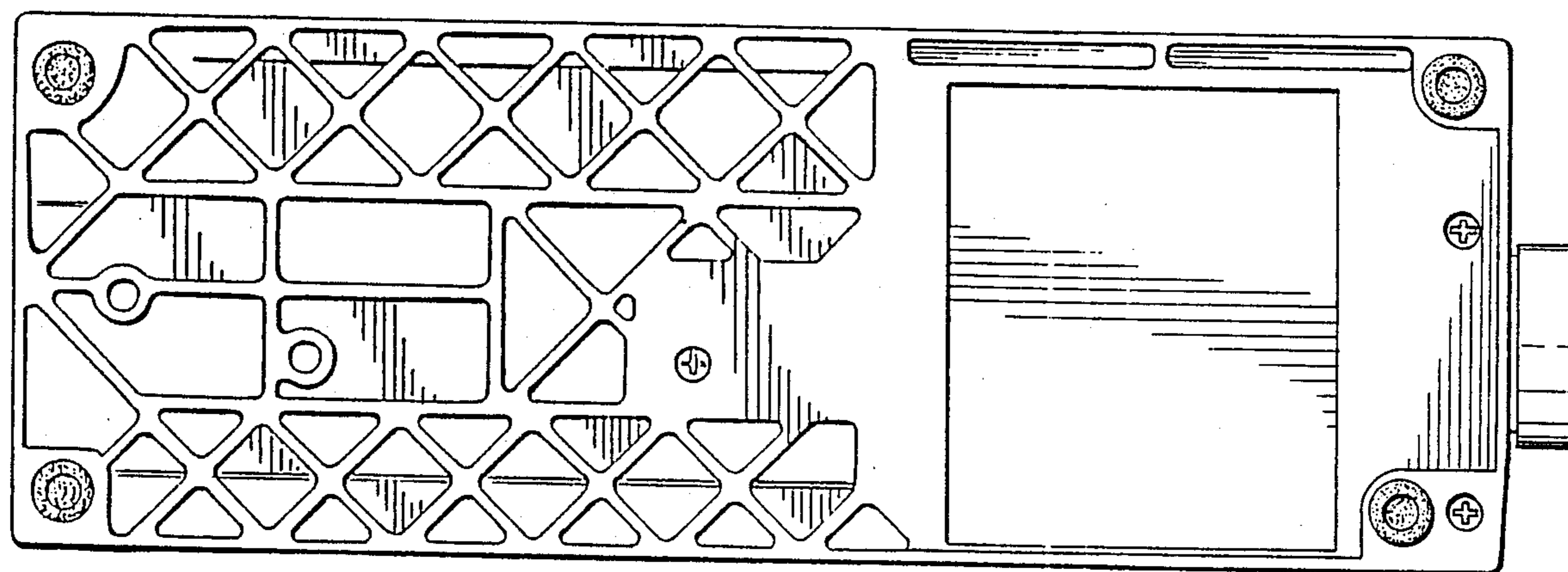


FIG 9

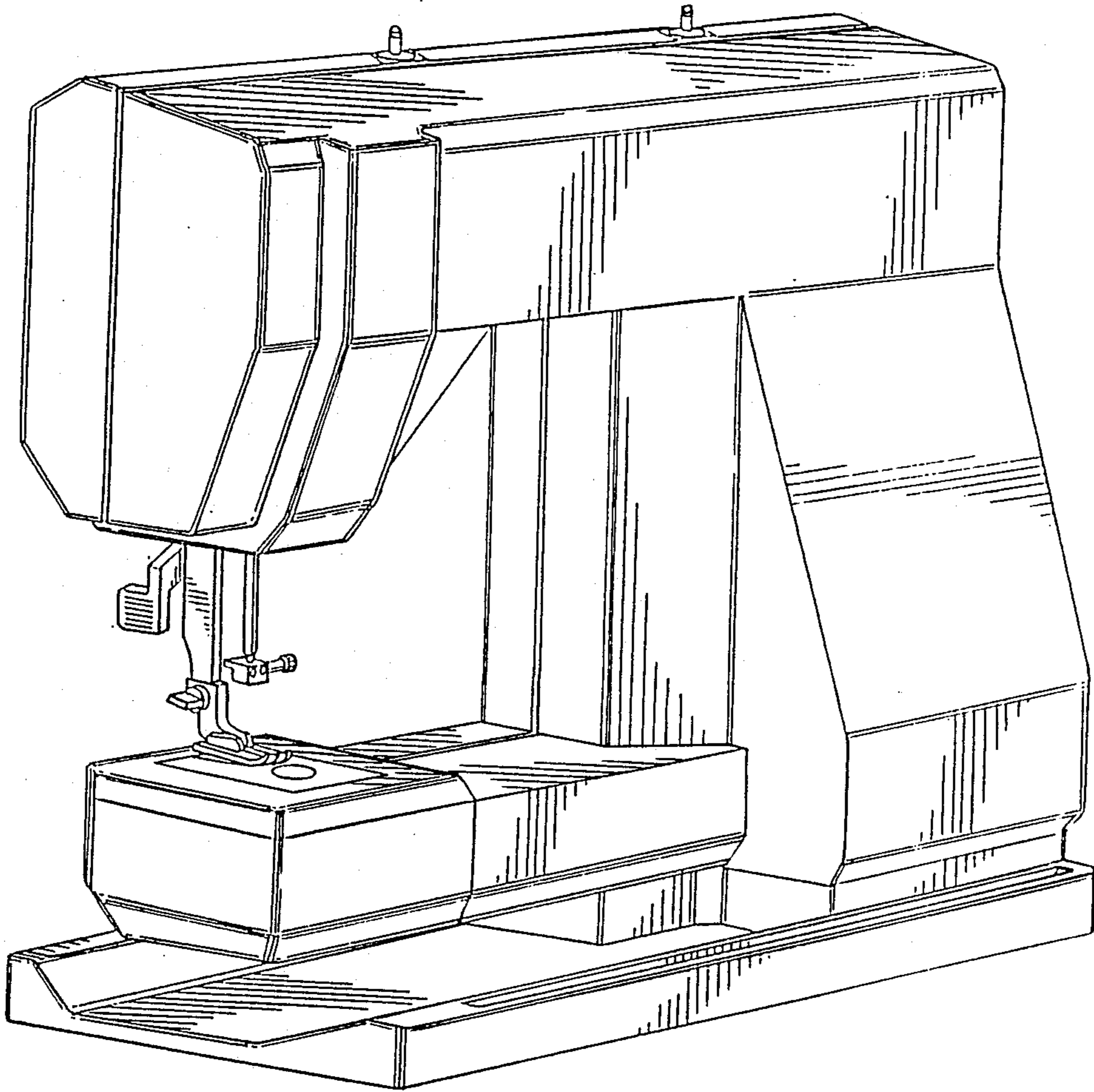


FIG 11