

[54] **COMBINED SEWING MACHINE AND COVER**
[75] **Inventor: Olindo Baruffa, Geneva, Switzerland**
[73] **Assignee: Mefina S.A., Fribourg, Switzerland**
[*] **Notice: The portion of the term of this patent subsequent to Apr. 18, 2003 has been disclaimed.**

[**] **Term: 14 Years**

[21] **Appl. No.: 744,332**

[22] **Filed: Jun. 13, 1985**

[30] **Foreign Application Priority Data**

Dec. 13, 1984 [CH] Switzerland 114209
[52] **U.S. Cl. D15/69**
[58] **Field of Search D15/69, 68, 70; 112/258-261**

[56] **References Cited**

U.S. PATENT DOCUMENTS

3,741,618 6/1973 Newman 112/258
3,781,075 12/1973 Fresard 112/258

OTHER PUBLICATIONS

Vogue Patterns, Jan.-Feb., 1983, back cover, Viking Sewing Machine.

Primary Examiner—Melvin B. Feifer

[57] **CLAIM**

The ornamental design for a combined sewing machine and cover, as shown and described.

DESCRIPTION

FIG. 1 is a front view of the combined sewing machine and cover with the cover in the closed position embodying my new design;
FIG. 2 is a left side view thereof;
FIG. 3 is a right side view thereof;
FIG. 4 is front view of the combined sewing machine and cover with the cover removed;
FIG. 5 is a left side view thereof;
FIG. 6 is a back view thereof;
FIG. 7 is right side view thereof;
FIG. 8 is a top plan view thereof;
FIG. 9 is a bottom plan view thereof;
FIG. 10 is a perspective view taken from the left of FIG. 4; and
FIG. 11 is a perspective view taken from the left of the machine with the cover plate of the free arm removed.

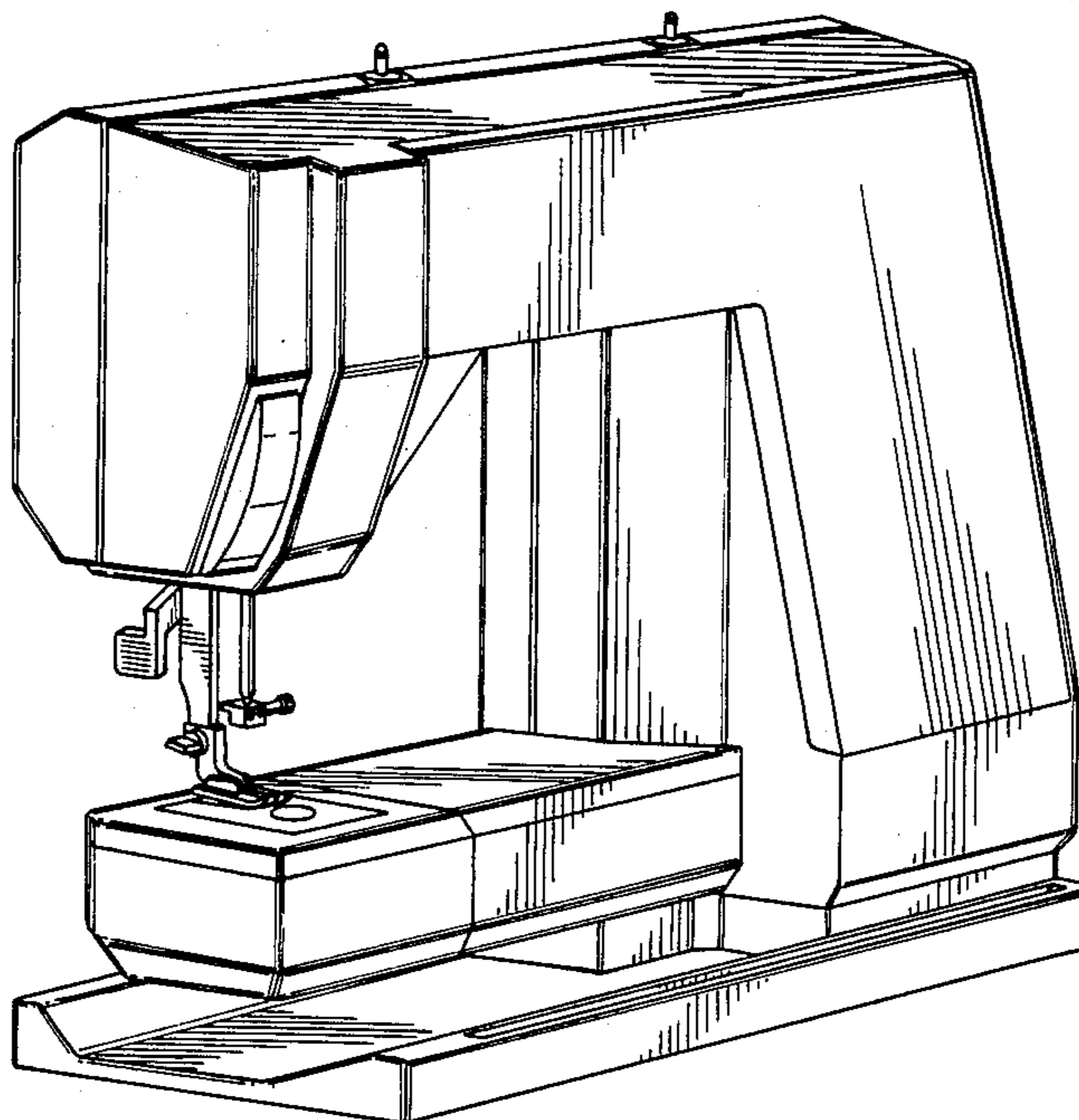


FIG 10

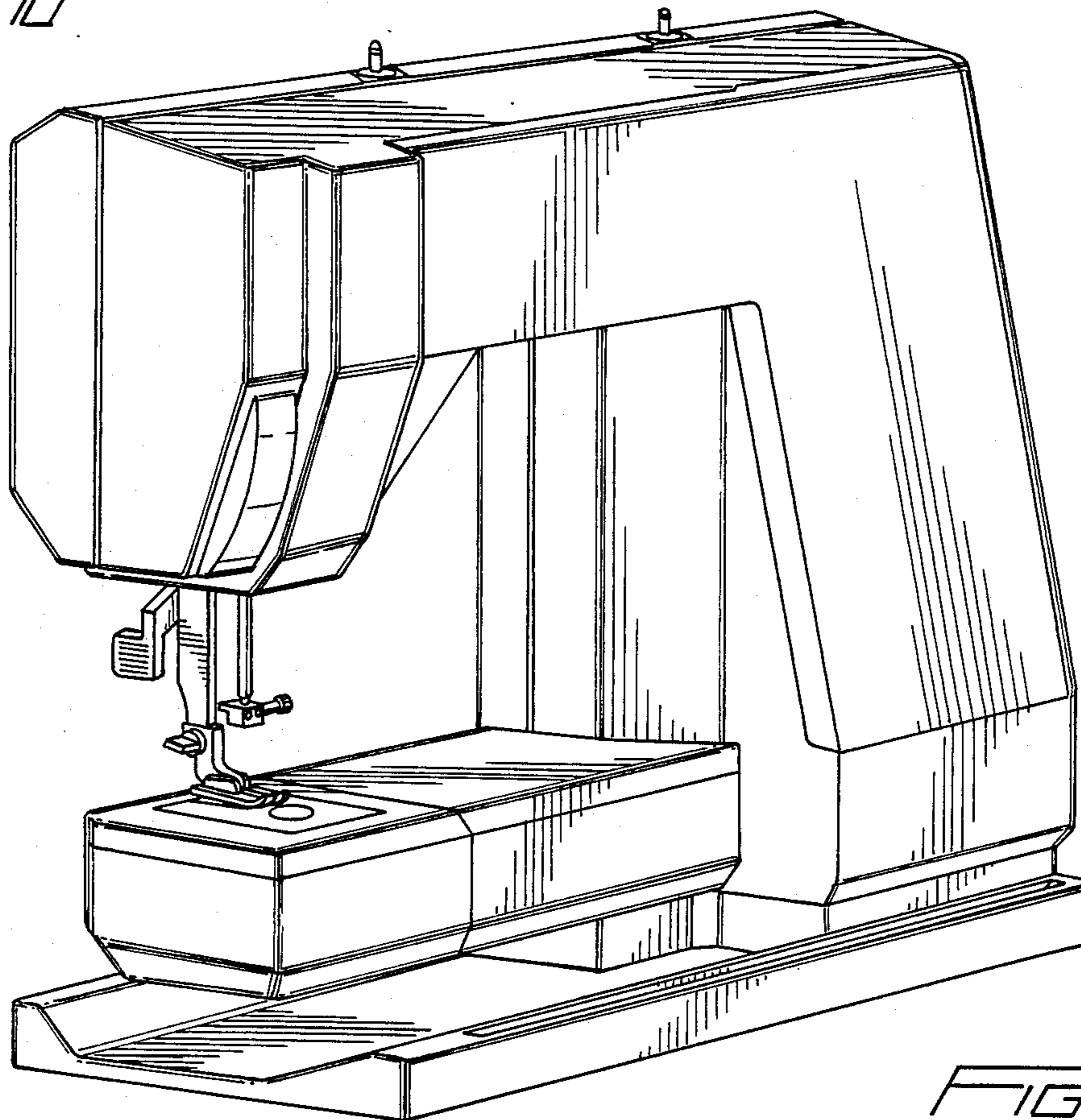


FIG 1

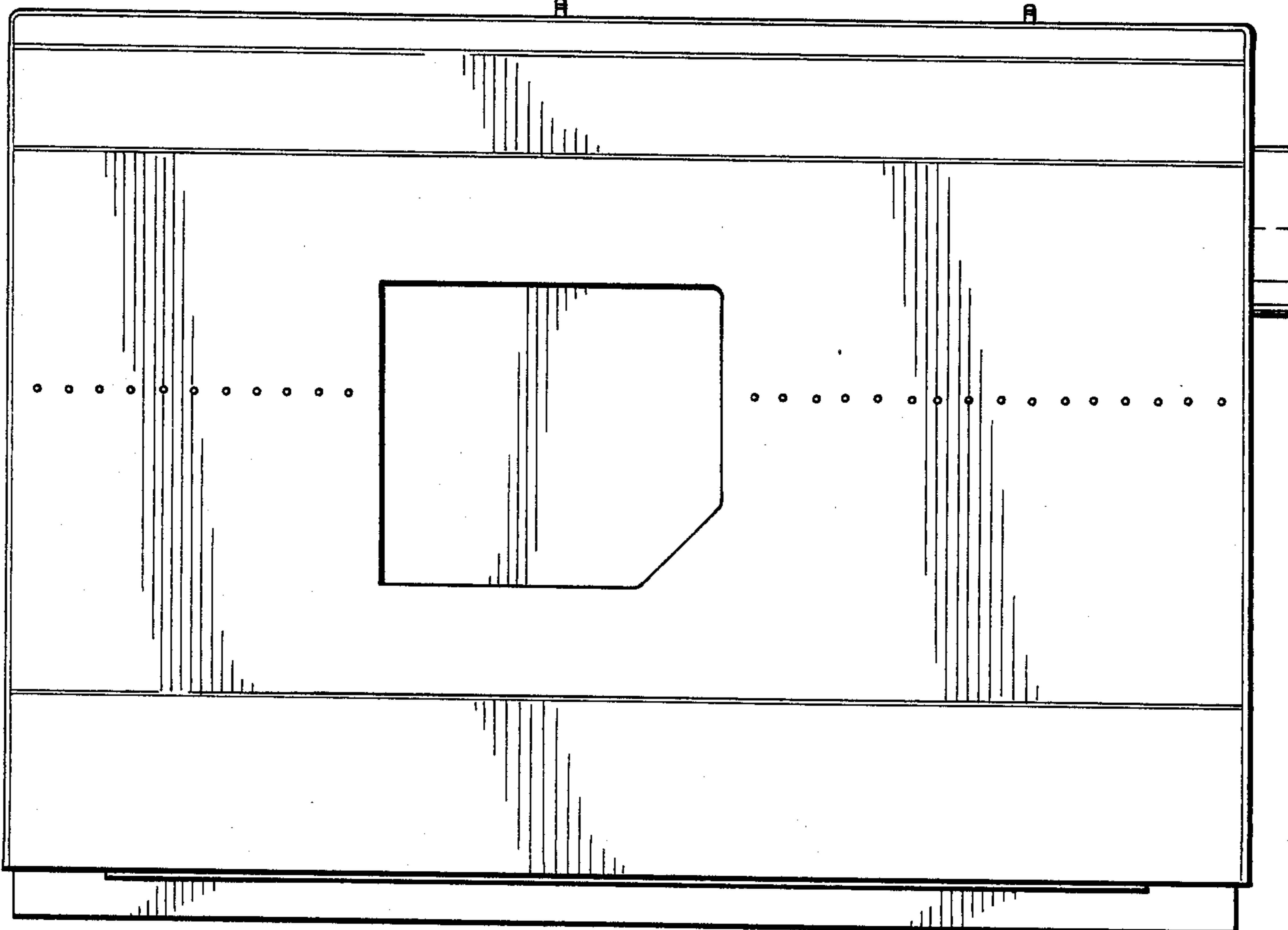


FIG 2

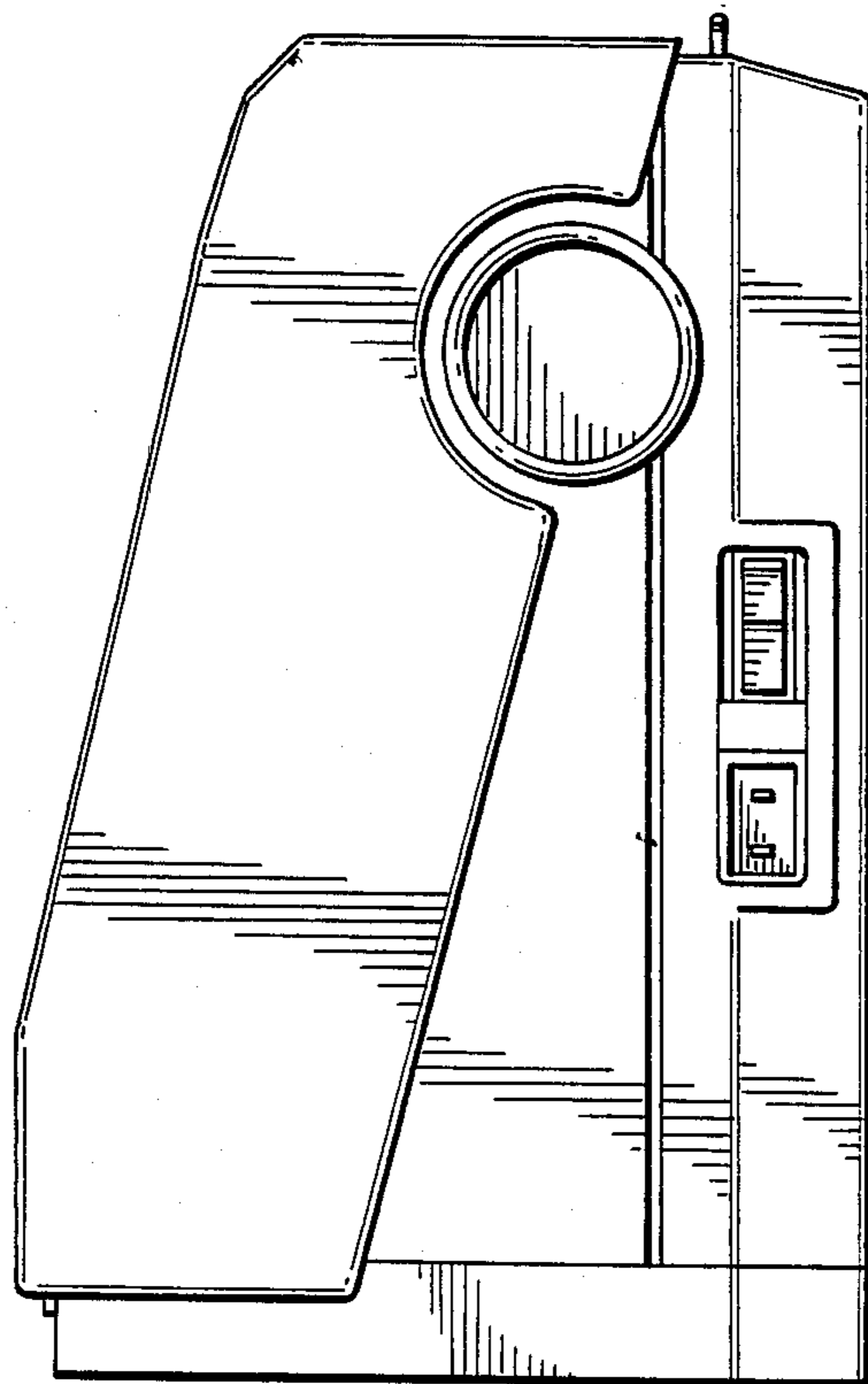
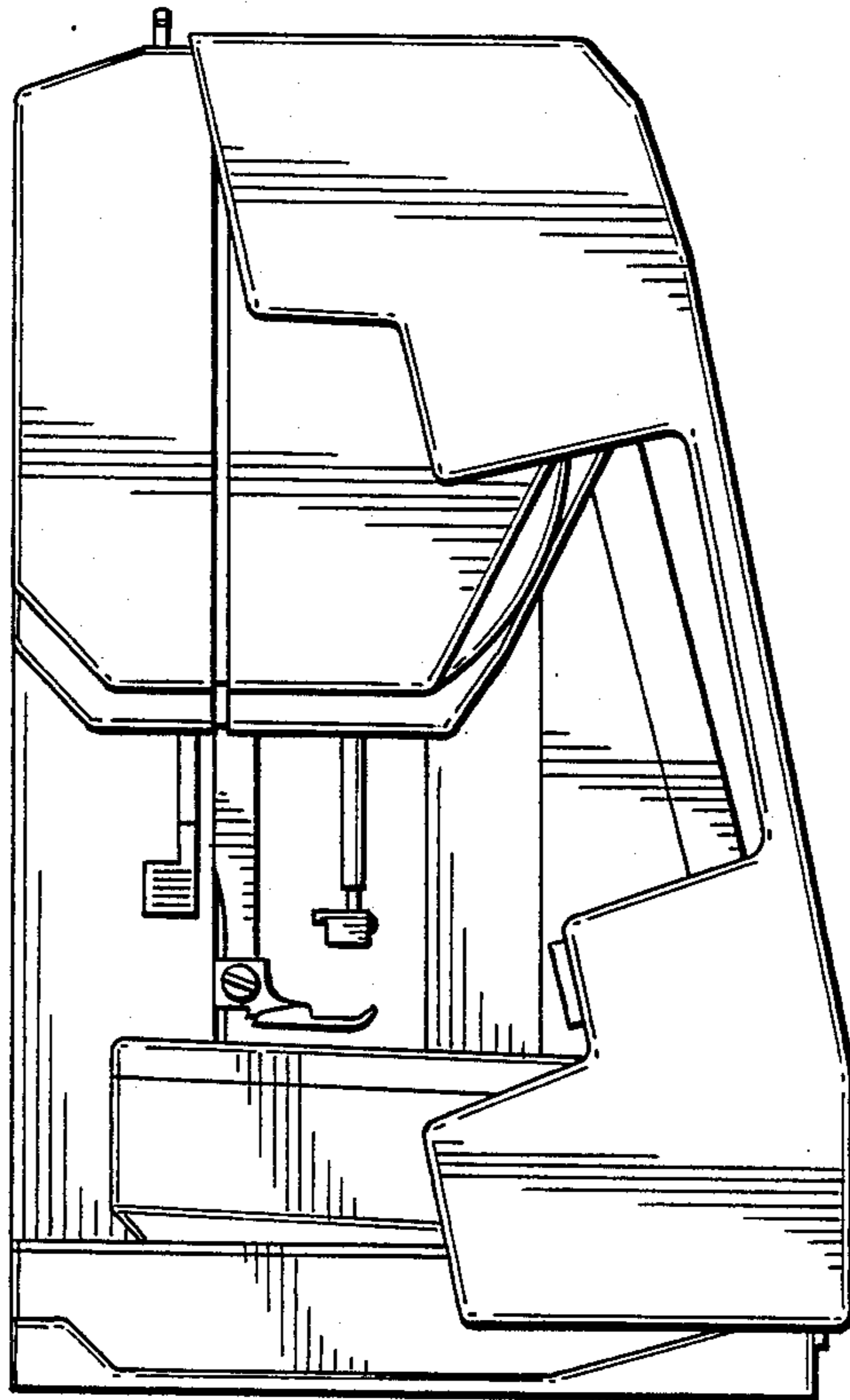


FIG 3

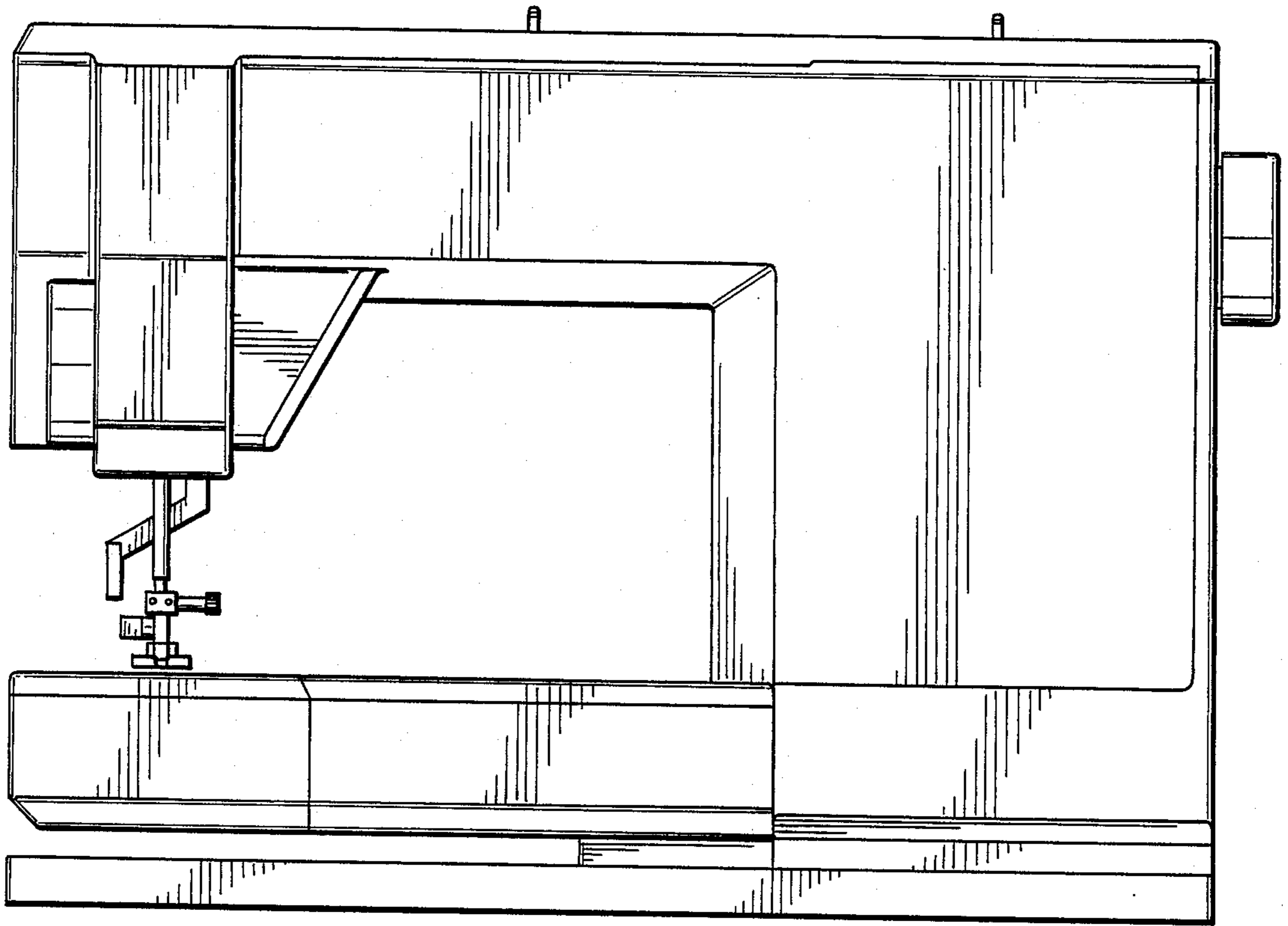


FIG 4

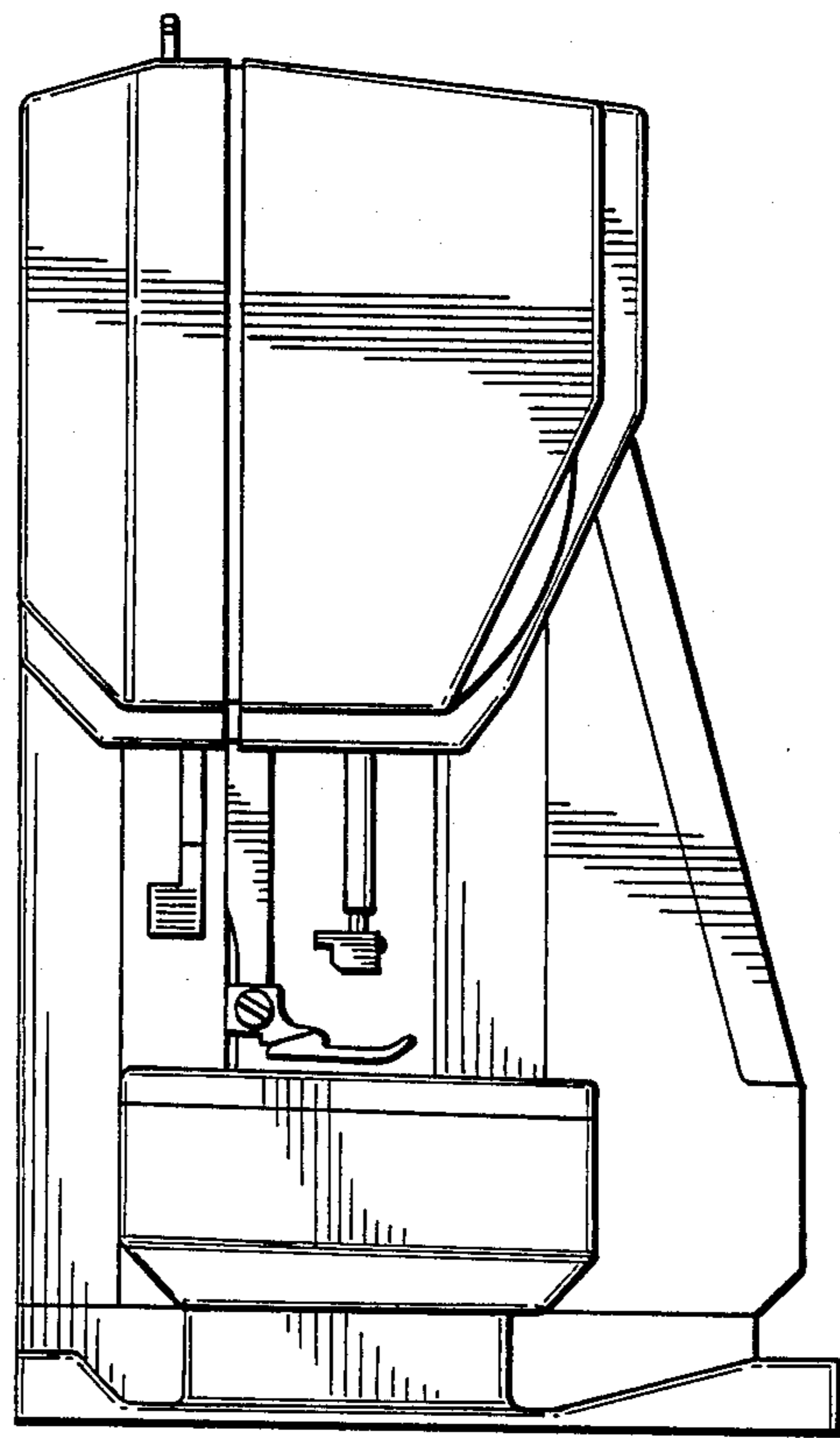


FIG 5

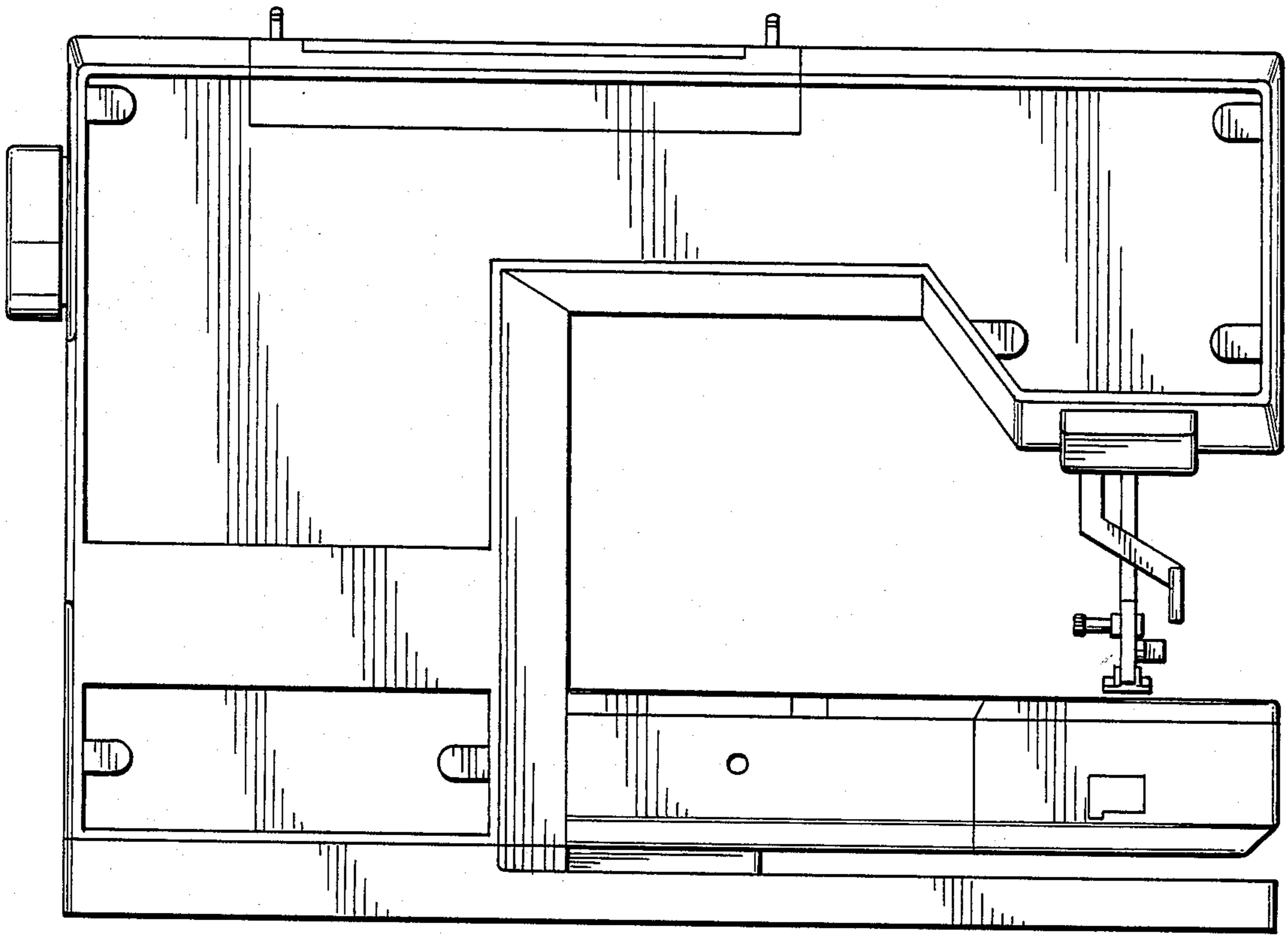
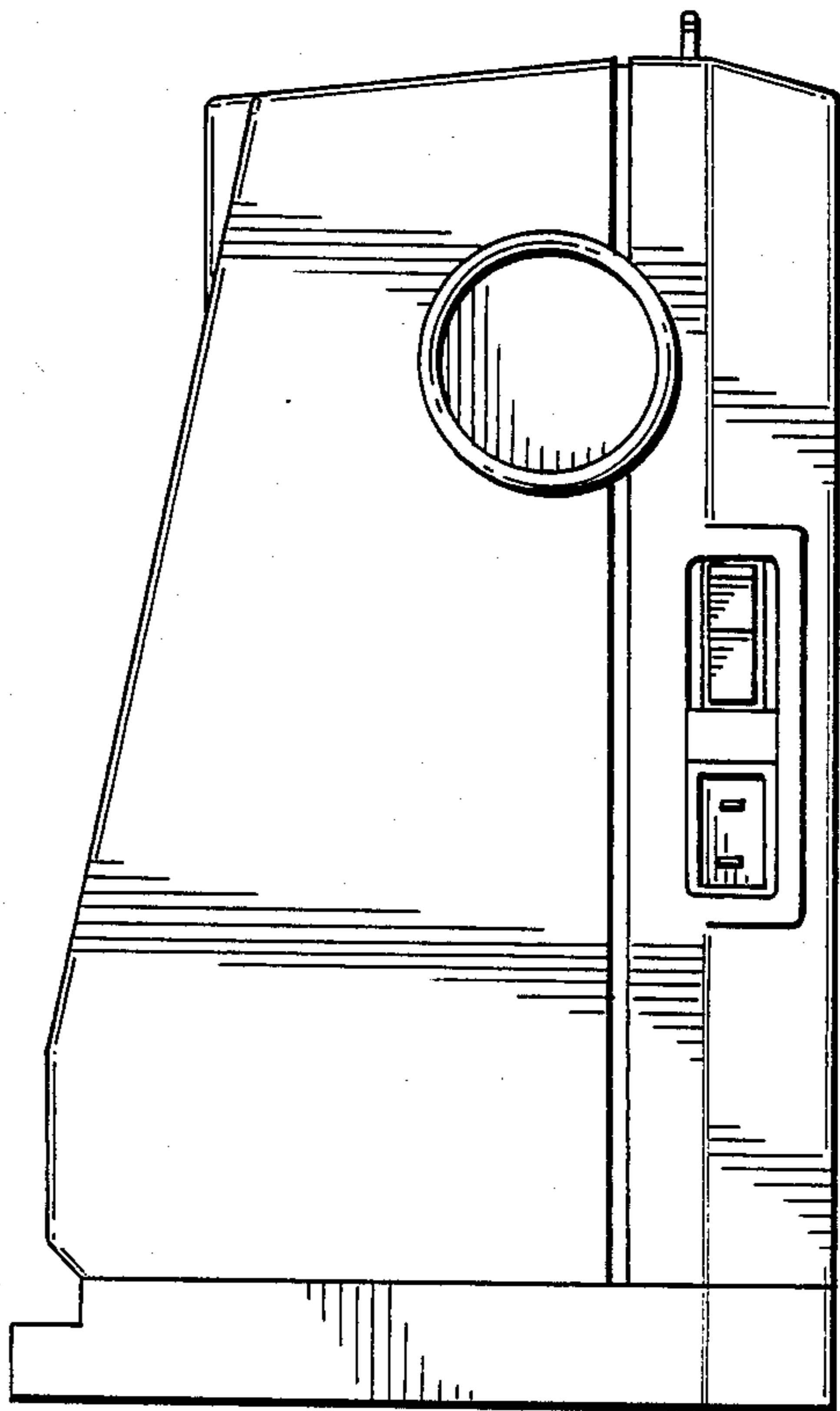


FIG 6

FIG 7



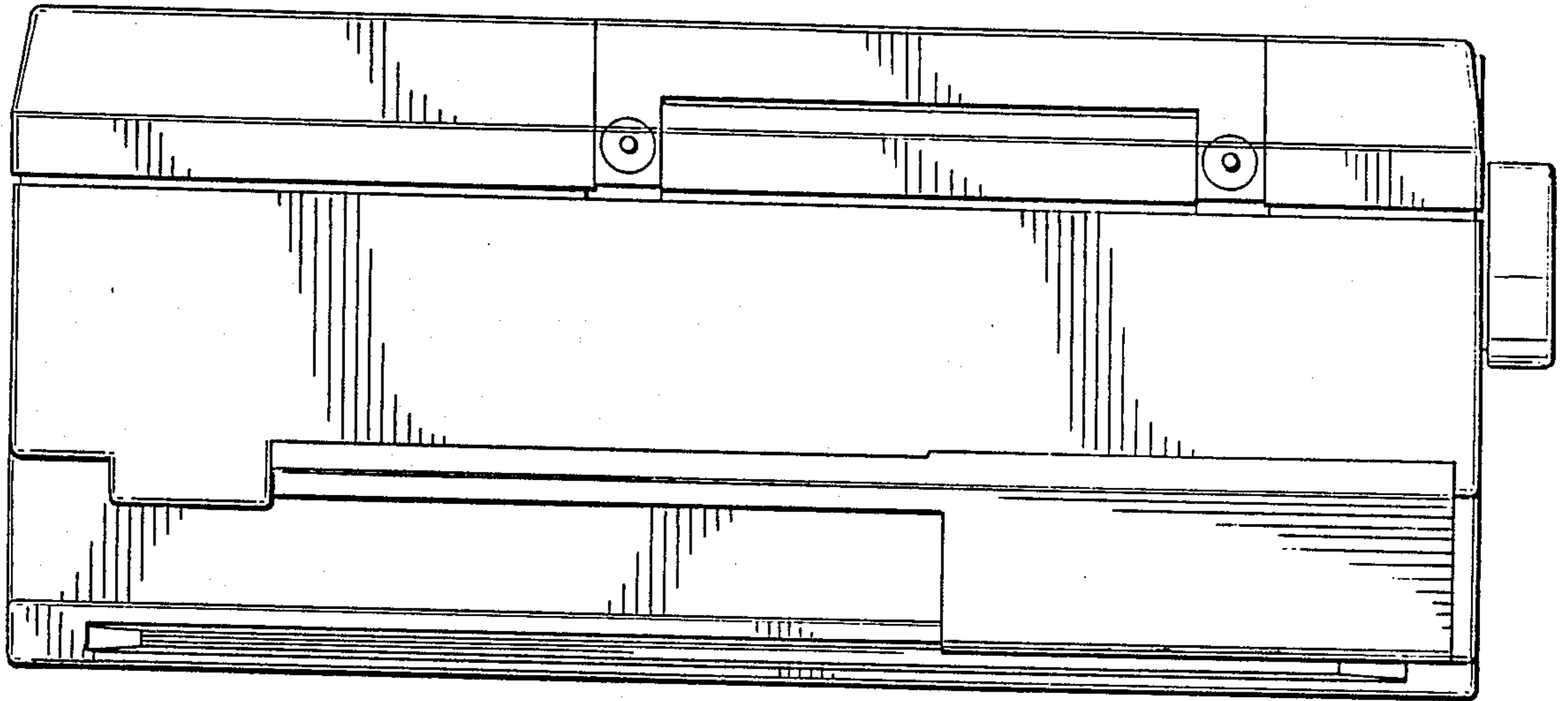


FIG 8

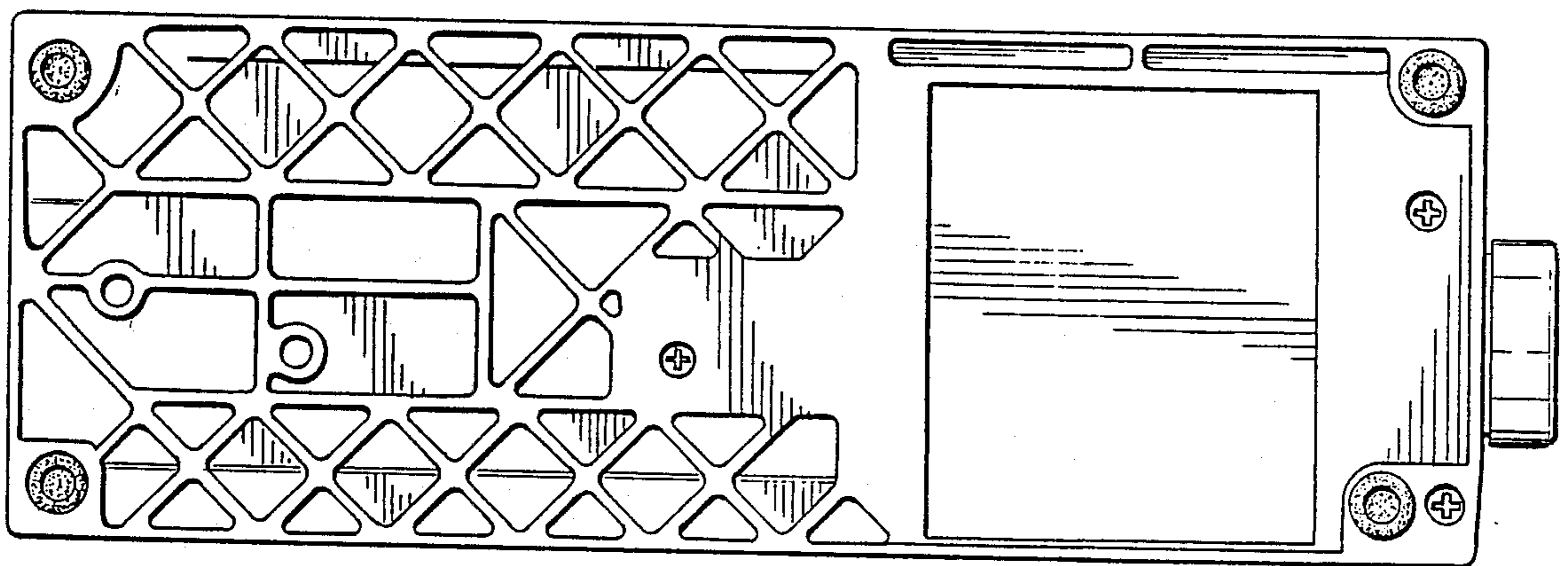


FIG 9

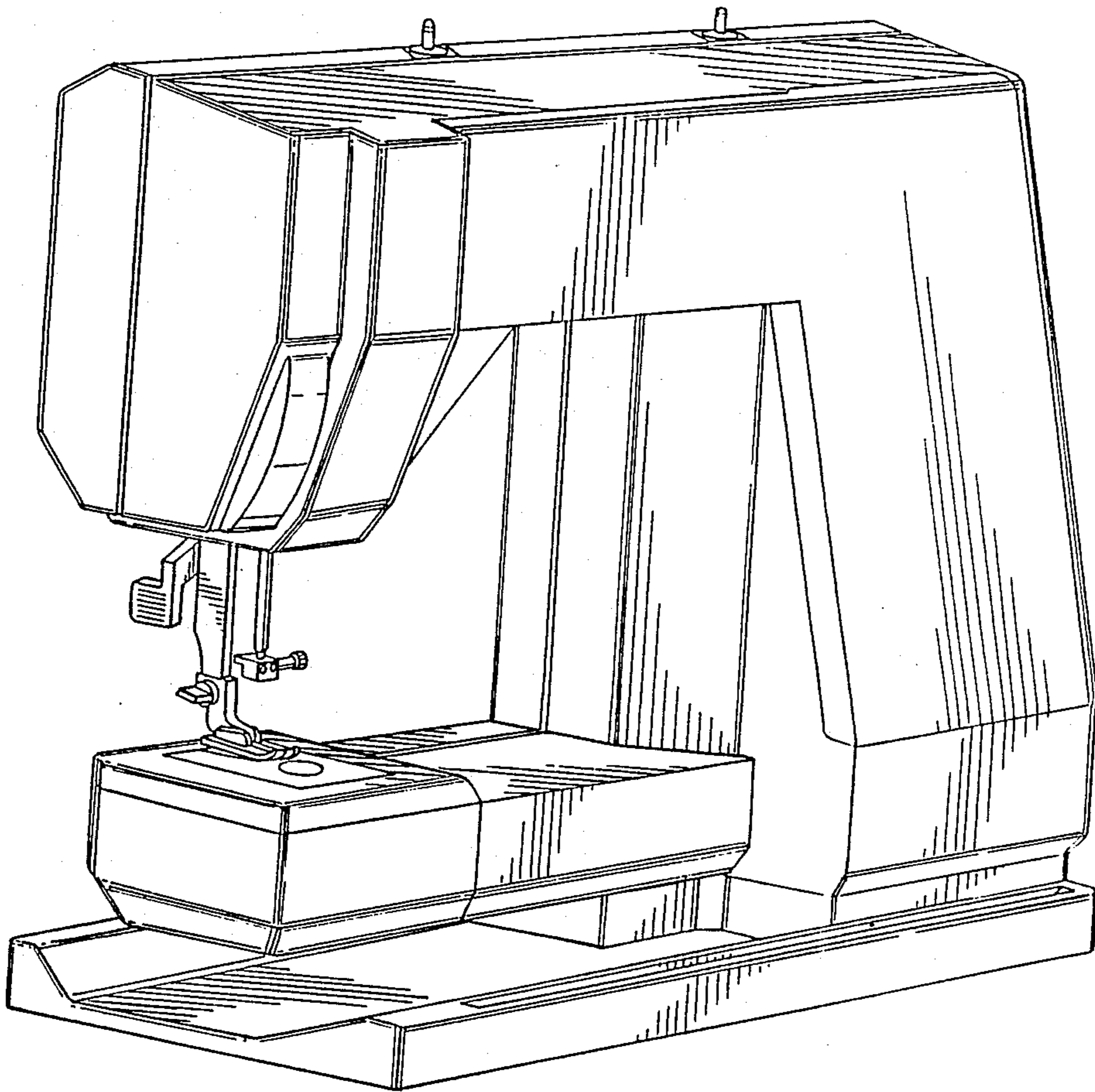


FIG 11