

United States Patent [19]
Yoshiharu

[11] **Patent Number: Des. 300,741**
 [45] **Date of Patent: ** Apr. 18, 1989**

[54] **TELEPHONE HANDSET**

[75] **Inventor: Takei Yoshiharu, Shatin, Hong Kong**

[73] **Assignee: Tasca International Ltd., Kowloon, Hong Kong**

[**] **Term: 14 Years**

[21] **Appl. No.: 109,425**

[22] **Filed: Oct. 16, 1987**

[30] **Foreign Application Priority Data**

Jun. 19, 1987 [GB] United Kingdom 1042958

[52] **U.S. Cl. D14/248; D21/111; D21/212; D14/143**

[58] **Field of Search D14/52, 53, 63, 64; D21/212, 111; D10/6; 379/440, 419, 428, 433, 434, 436**

[56] **References Cited**

U.S. PATENT DOCUMENTS

D. 259,940	7/1981	Witte et al.	D21/212
D. 260,415	8/1981	Erwin et al.	D21/212
D. 262,983	2/1982	Howe	D21/212
D. 264,076	4/1982	Adam, Jr.	D21/111 X
D. 284,658	7/1986	Hazlett	D21/111 X
D. 285,682	9/1986	Lee	D14/63 X
D. 291,440	8/1987	Yoshiharu	D14/64

D. 291,570 8/1987 Basch D14/64

FOREIGN PATENT DOCUMENTS

173115 11/1934 Switzerland D10/6 X

OTHER PUBLICATIONS

B. A. Pargh Co. Inc. catalog, 1985/86 Fall Winter, ©1985; Telephone Simulations at pp. 359-362; as red checked.

Sportcraft, 1978, at p. 30; Sundry Racquetball Racquets.

Primary Examiner—Horace B. Fay, Jr.

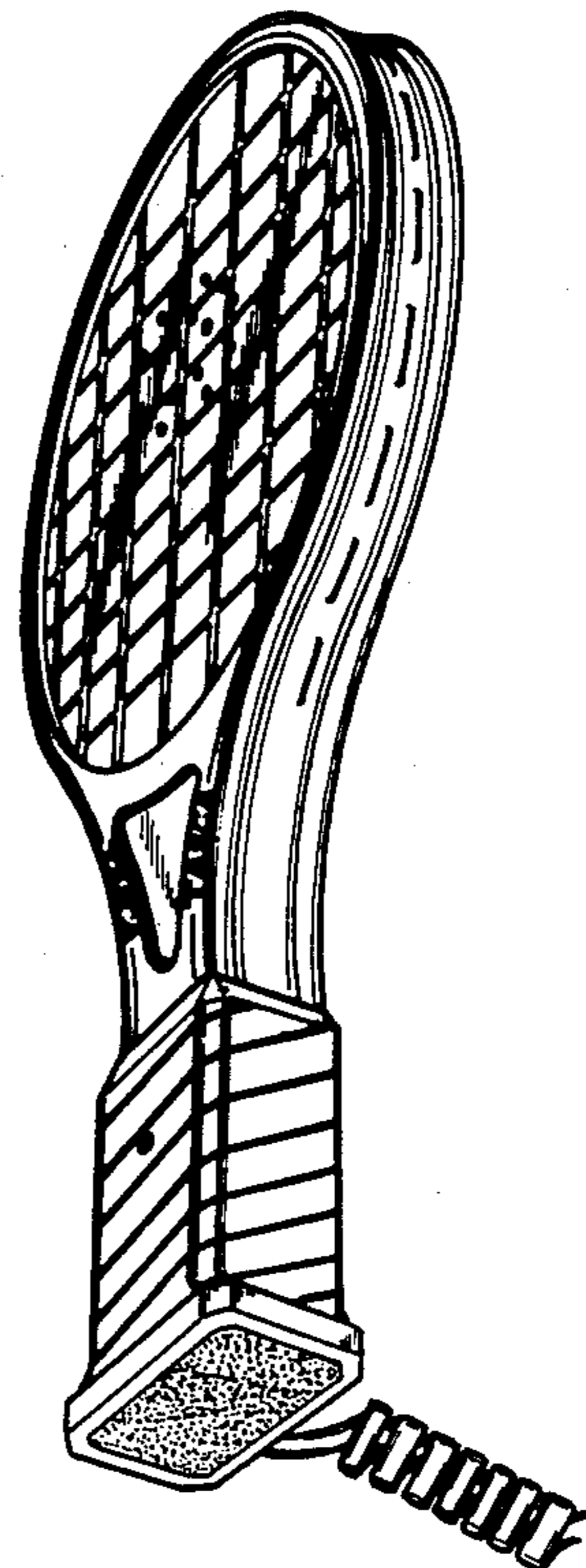
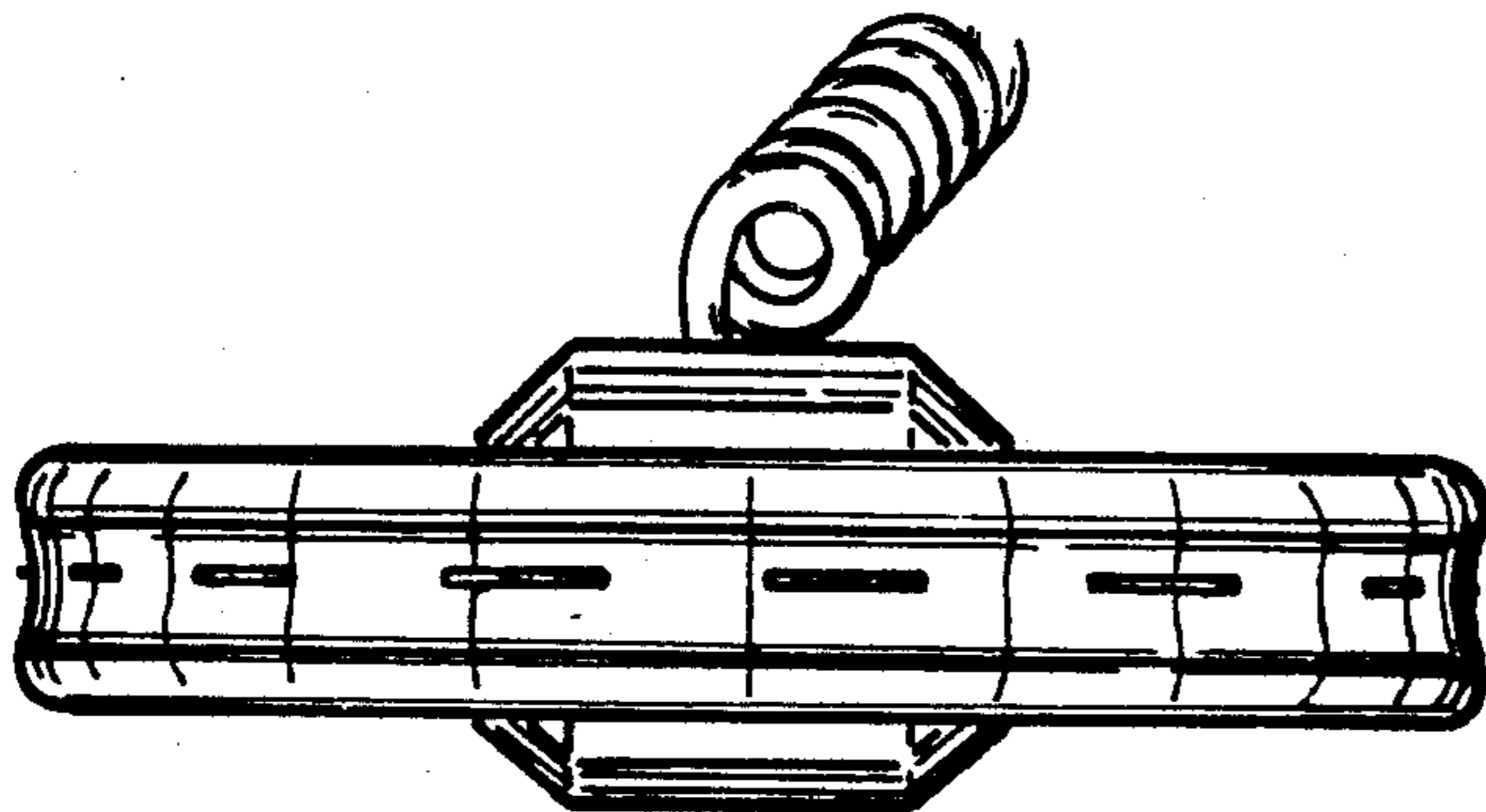
Attorney, Agent, or Firm—Wolf, Greenfield & Sacks

[57] **CLAIM**

The ornamental design for a telephone handset, as shown and described.

DESCRIPTION

FIG. 1 is a front elevational view of a telephone handset showing my new design;
 FIG. 2 is a right side elevational view thereof;
 FIG. 3 is a top plan view thereof;
 FIG. 4 is a rear elevational view thereof;
 FIG. 5 is a left side elevational view thereof;
 FIG. 6 is a bottom plan view thereof; and
 FIG. 7 is a front, right side, and bottom perspective view thereof.



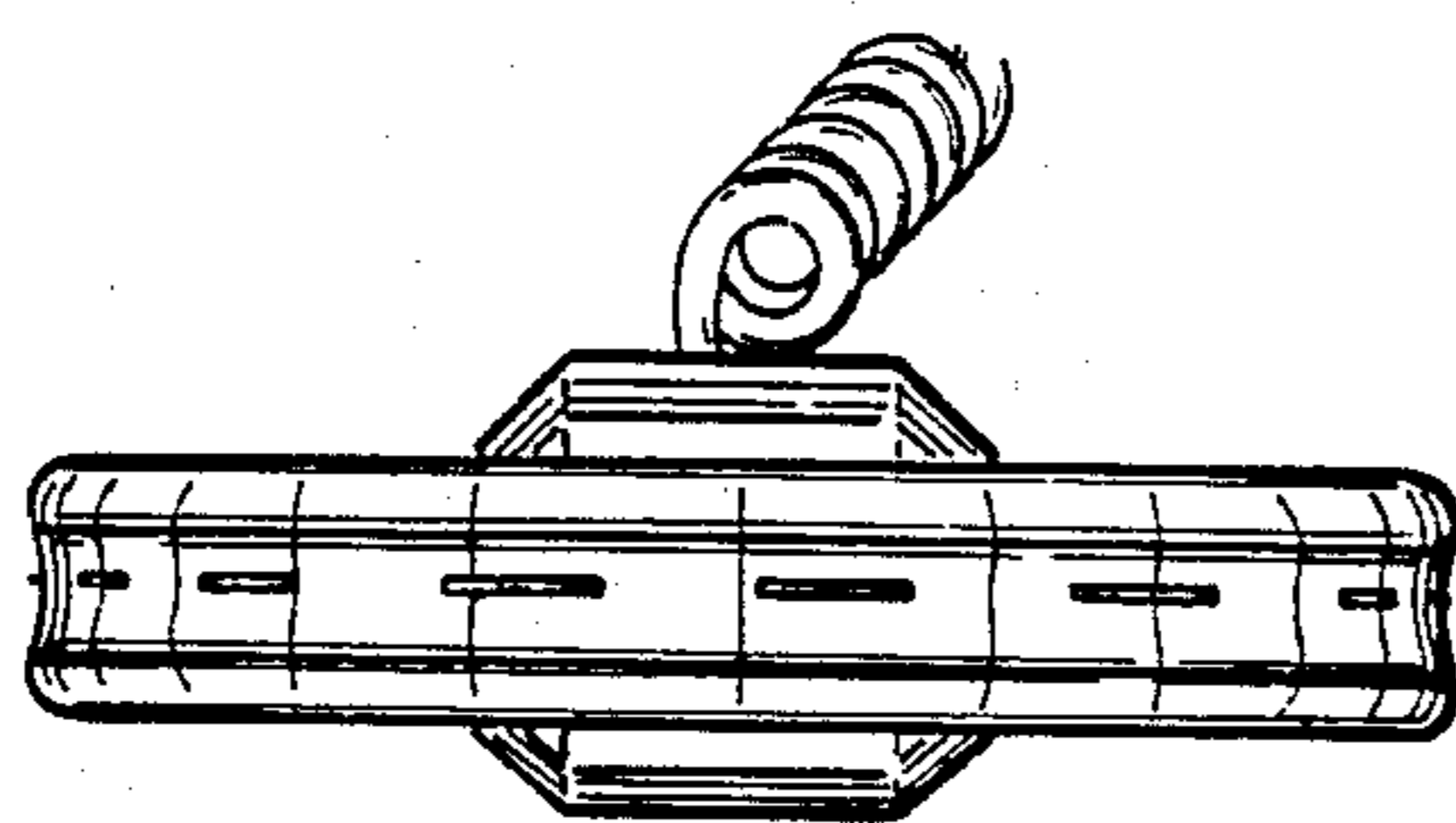


FIG. 3

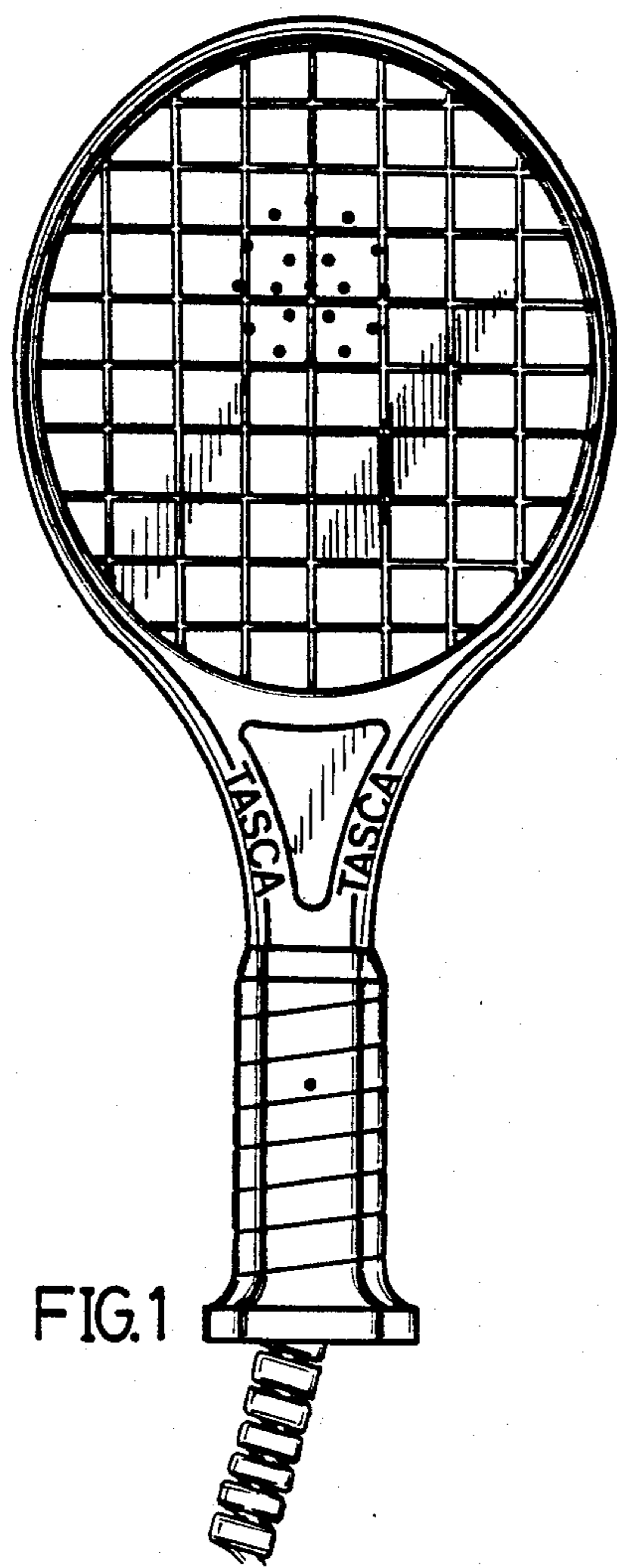


FIG. 1

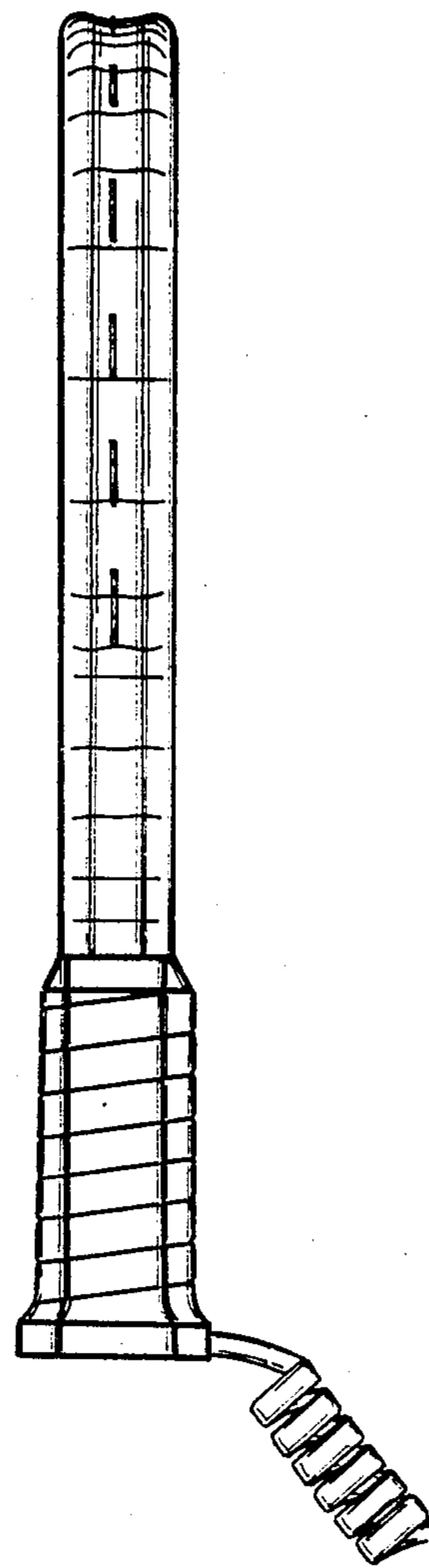


FIG. 2

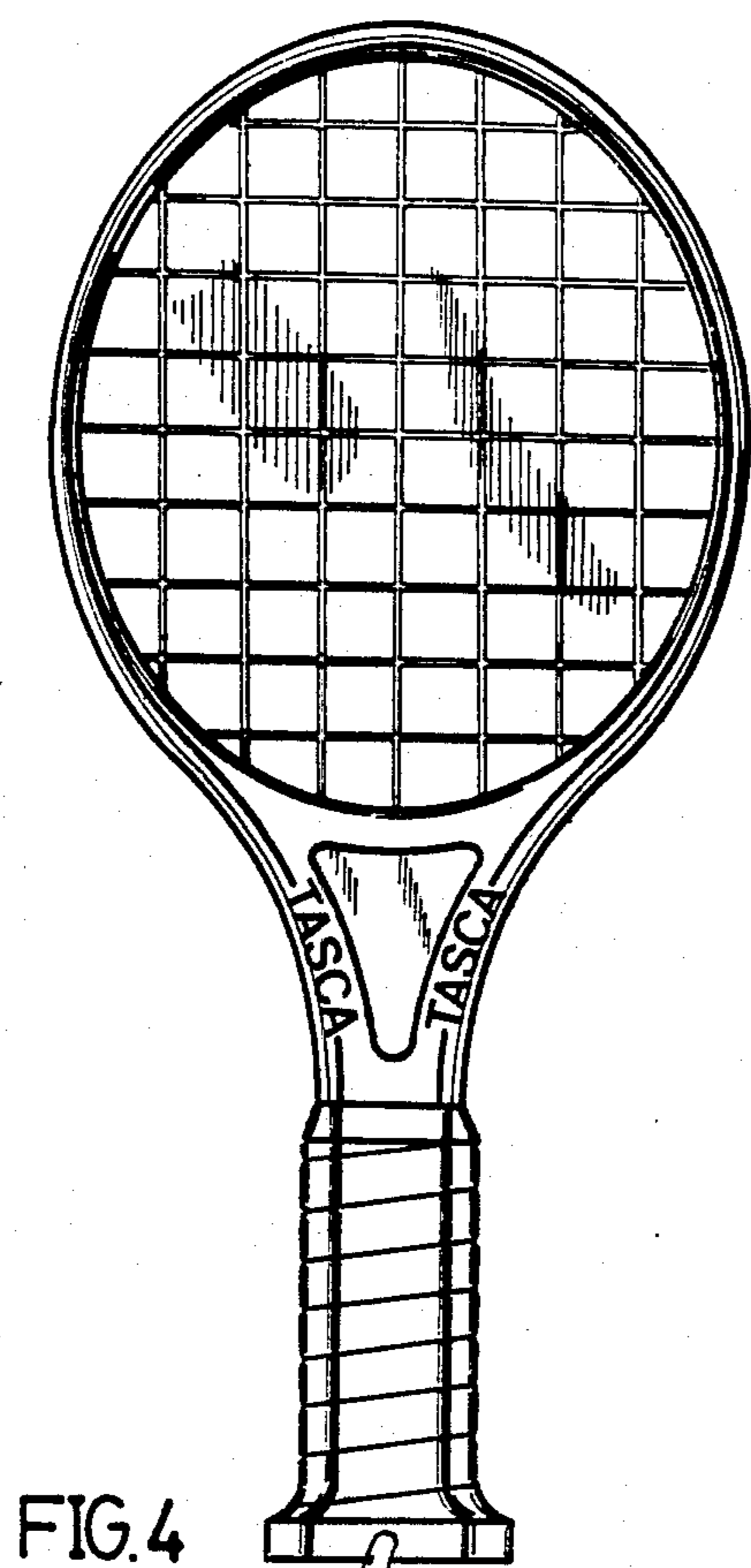


FIG. 4

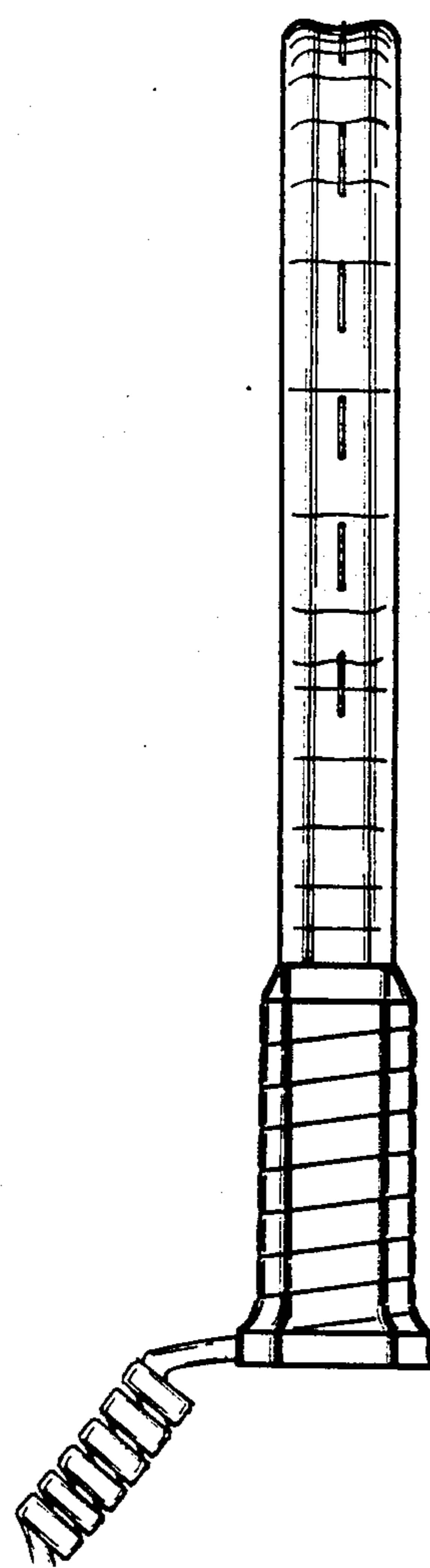


FIG. 5

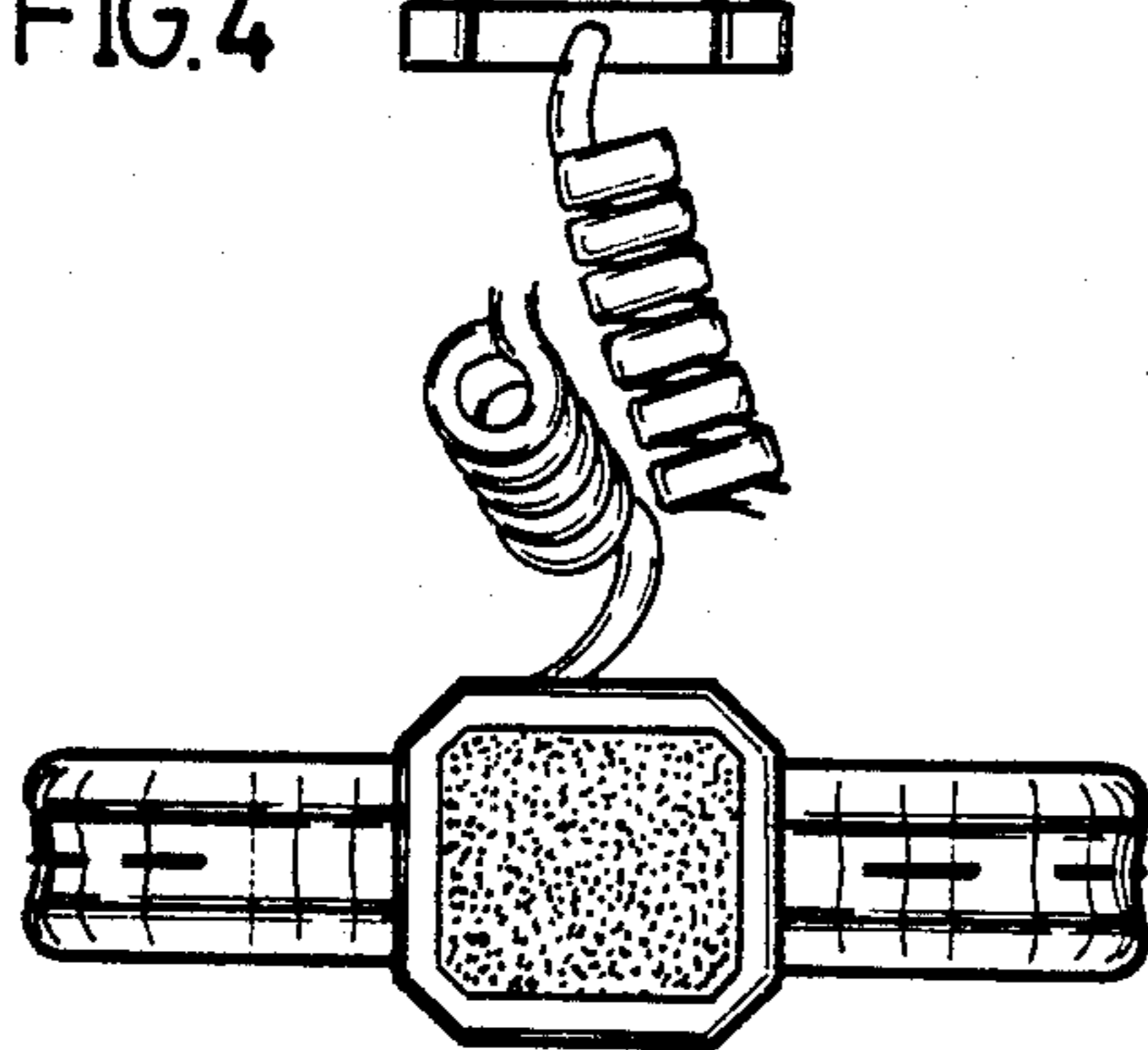


FIG. 6

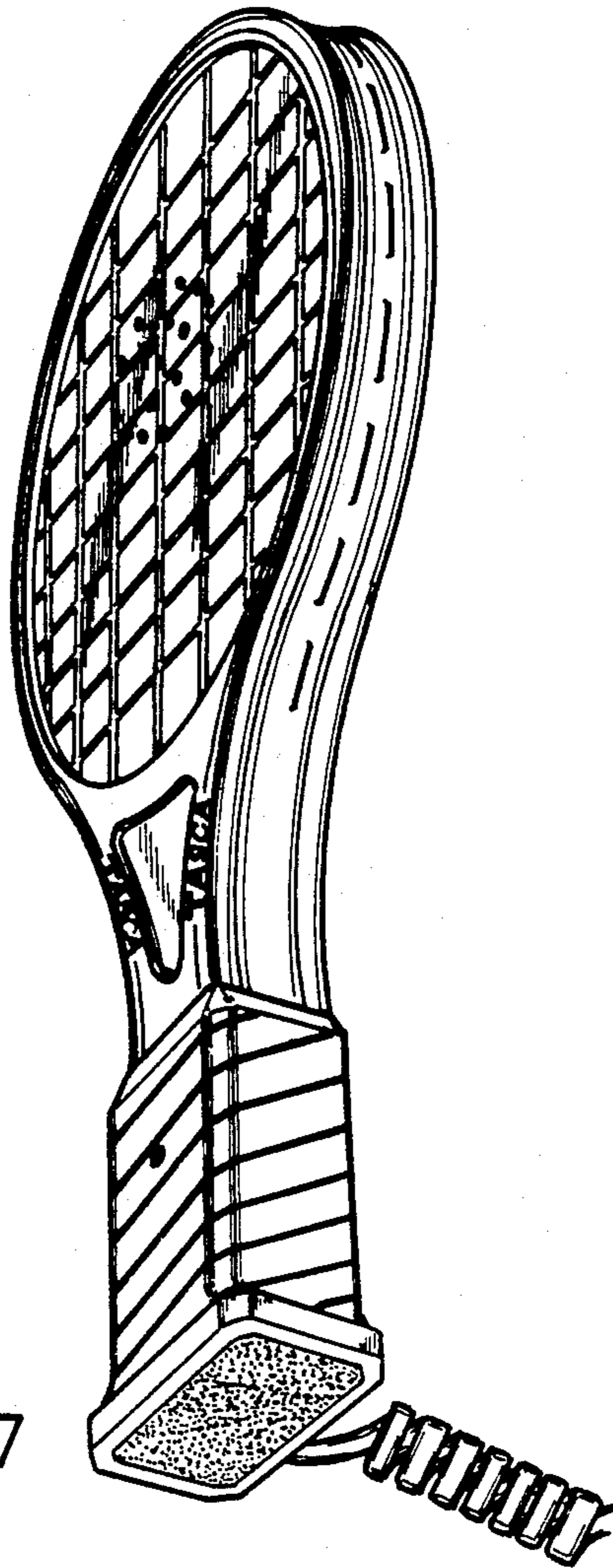


FIG. 7