

[54] **PLANTER**

[75] **Inventor:** Arthur R. Carlson, Rowville,
Australia

[73] **Assignee:** Decor Corporation Pty. Ltd., East
Malvern, Australia

[*] **Notice:** The portion of the term of this patent
subsequent to Jun. 28, 2002 has been
disclaimed.

[**] **Term:** 14 Years

[21] **Appl. No.:** 838,025

[22] **Filed:** Feb. 28, 1986

[52] **U.S. Cl. D11/152**

[58] **Field of Search D11/143, 152-156;
47/66, 79, 80, 67**

[56] **References Cited**

U.S. PATENT DOCUMENTS

D. 242,161	11/1976	Dziewulki	D11/152
D. 250,401	11/1978	O'Shea et al.	D11/152
D. 254,967	5/1980	Katz	D11/152
D. 274,583	7/1984	Lafferty	D11/152
D. 296,425	6/1988	Carlson	D11/152

Primary Examiner—B. J. Bullock
Attorney, Agent, or Firm—Trexler, Bushnell, Giangiorgi
& Blackstone, Ltd.

[57] **CLAIM**

The ornamental design for a planter, as shown.

DESCRIPTION

FIG. 1 is a top perspective view of a planter showing
my new design;
FIG. 2 is an exploded top perspective view thereof;
FIG. 3 is an exploded bottom perspective view thereof;
FIG. 4 is a top plan view thereof;
FIG. 5 is a side elevational view thereof;
FIG. 6 is an end elevational view thereof.

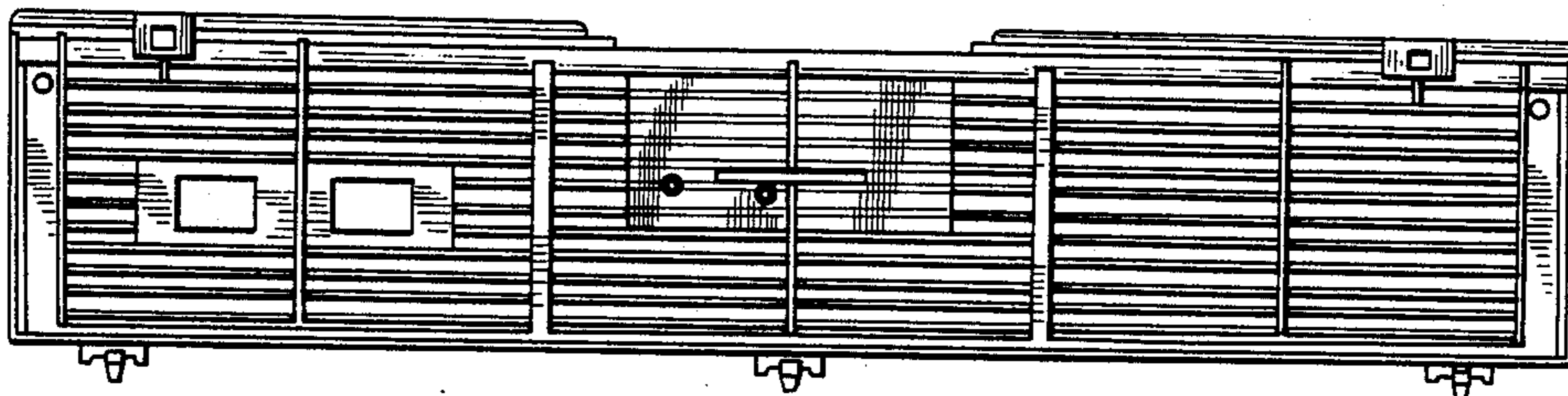
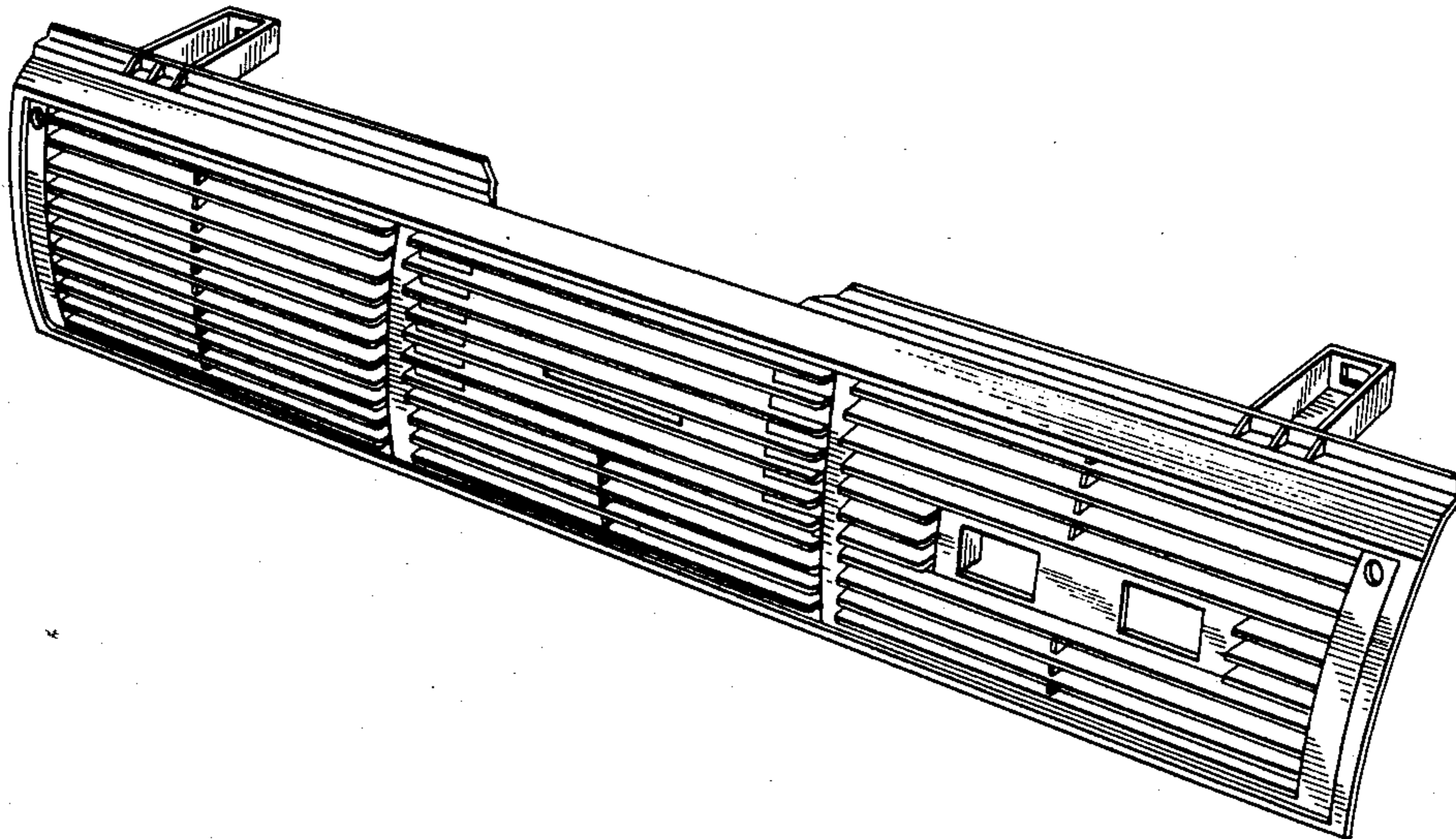


FIG. 1

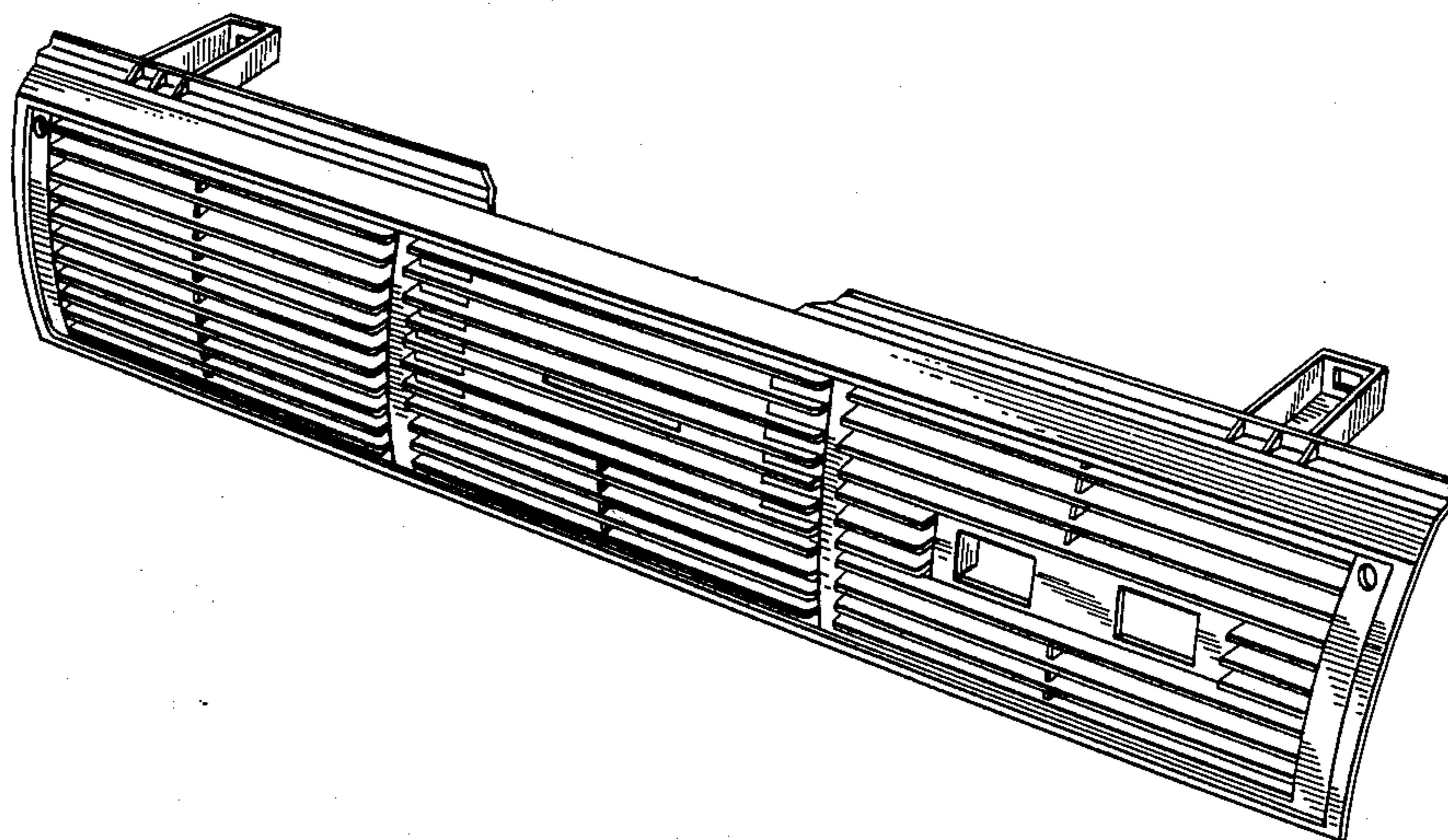


FIG. 2

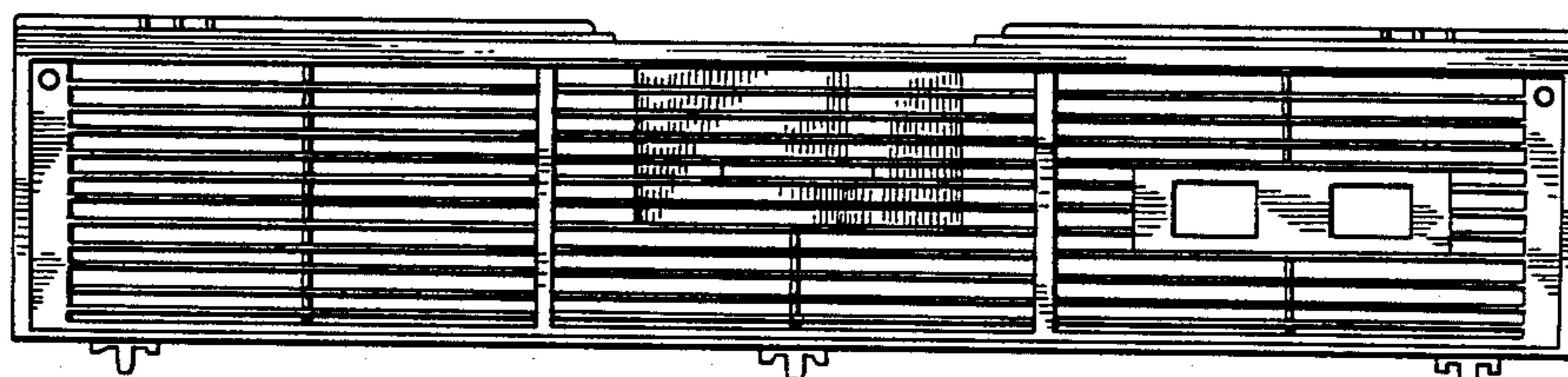


FIG. 3

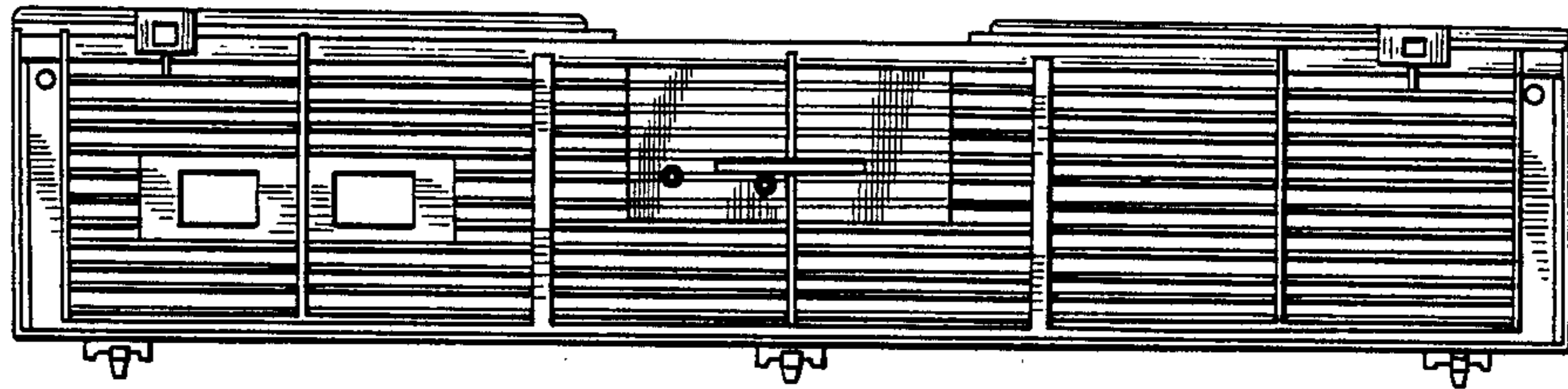


FIG. 4

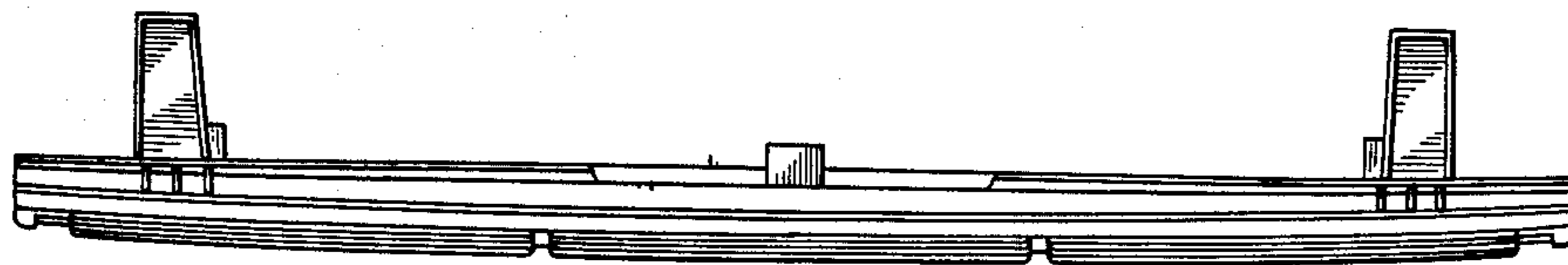


FIG. 5

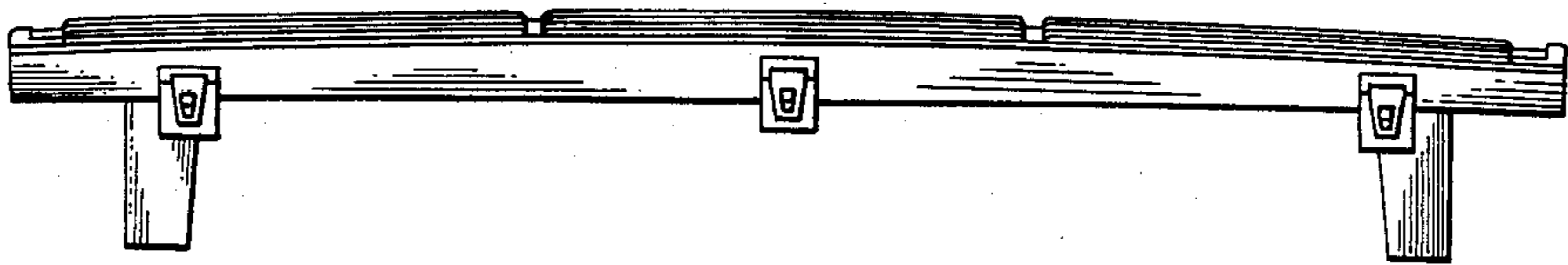
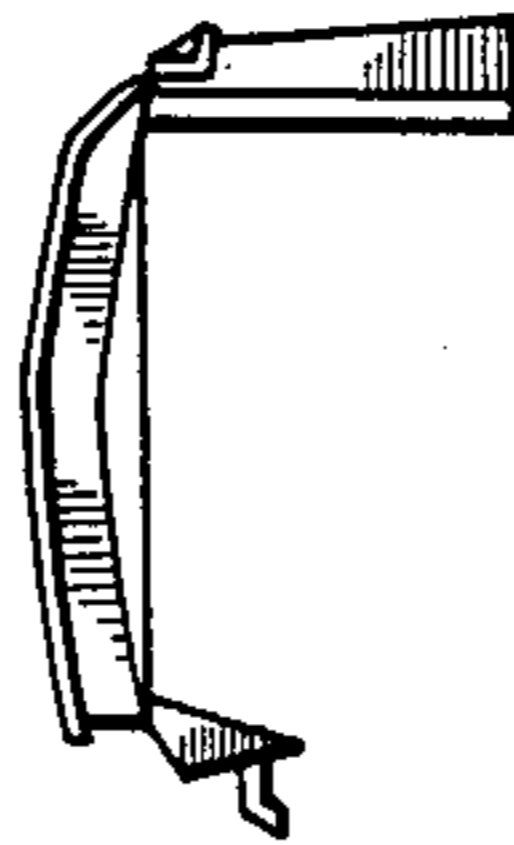


FIG. 6



UNITED STATES PATENT AND TRADEMARK OFFICE
CERTIFICATE OF CORRECTION

PATENT NO. : Des. No. 300,732

Page 1 of 8

DATED : April 18, 1989

INVENTOR(S) : Arthur R. Carlson

It is certified that error appears in the above-identified patent and that said **Letters Patent** is hereby corrected as shown below:

On the Title Page, Item [73] should read

-- [73] Assignee: The Decor Corporation Pty, Ltd.,
East Malvern, Australia --.

The Title Page showing the illustrative figure should be deleted to appear as per attached title page.

The sheets of drawings consisting of Figs. 1-6, should be deleted to be replaced with six (6) sheets of drawings as shown on the attached sheets.

**Signed and Sealed this
Thirteenth Day of February, 1990**

Attest:

JEFFREY M. SAMUELS

Attesting Officer

Acting Commissioner of Patents and Trademarks

[54] PLANTER

[75] Inventor: Arthur R. Carlson, Rowville,
Australia

[73] Assignee: Decor Corporation Pty. Ltd., East
Malvern, Australia

[*] Notice: The portion of the term of this patent
subsequent to Jun. 28, 2002 has been
disclaimed.

[**] Term: 14 Years

[21] Appl. No.: 838,025

[22] Filed: Feb. 28, 1986

[52] U.S. Cl. D11/152

[58] Field of Search D11/143, 152-156;
47/66, 79, 80, 67

[56]

References Cited

U.S. PATENT DOCUMENTS

D. 242,161	11/1976	Dziewulki	D11/152
D. 250,401	11/1978	O'Shea et al.	D11/152
D. 254,967	5/1980	Katz	D11/152
D. 274,583	7/1984	Lafferty	D11/152
D. 296,425	6/1988	Carlson	D11/152

Primary Examiner—B. J. Bullock
Attorney, Agent, or Firm—Trexler, Bushnell, Giangiorgi
& Blackstone, Ltd.

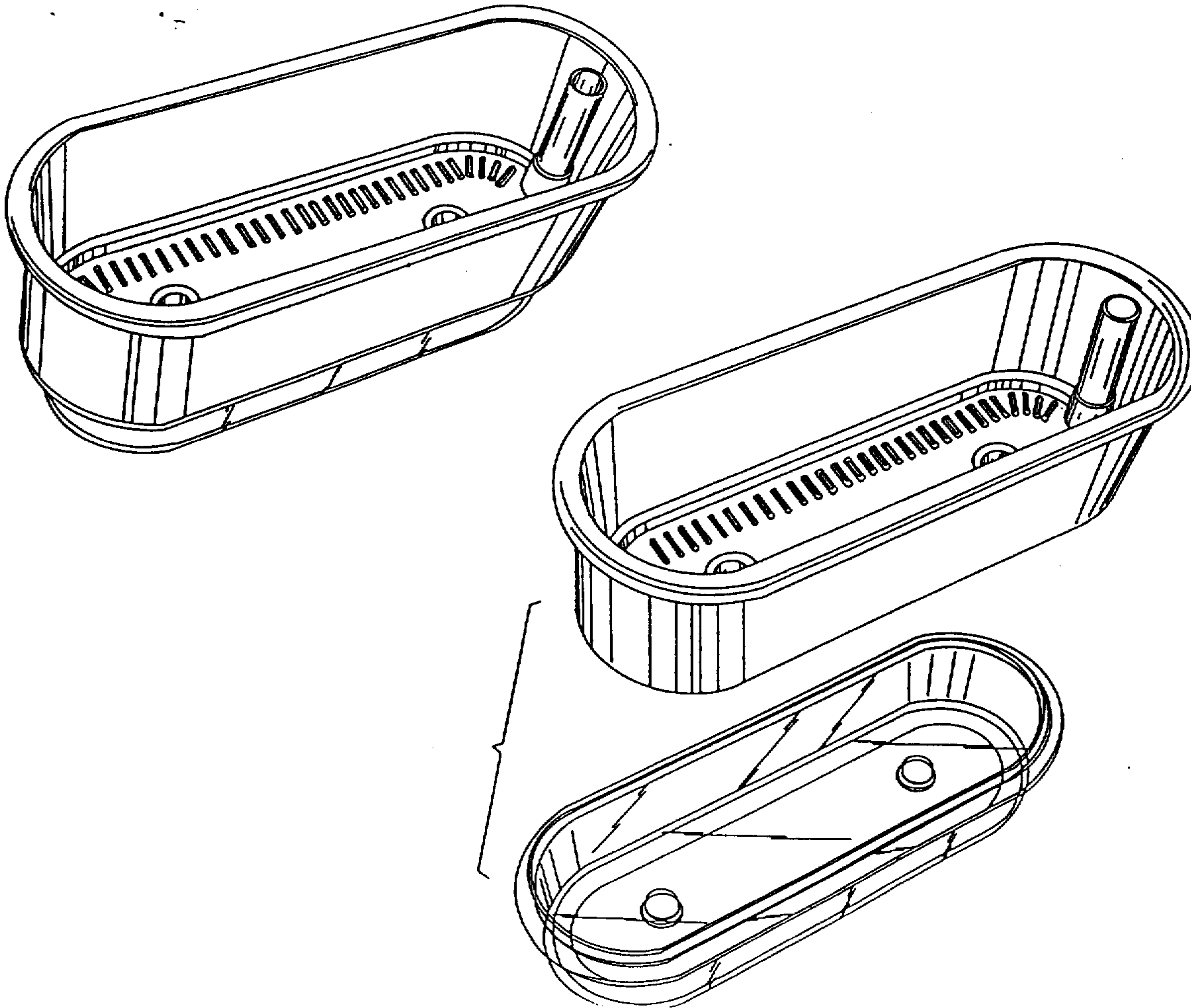
[57]

CLAIM

The ornamental design for a planter, as shown.

DESCRIPTION

FIG. 1 is a top perspective view of a planter showing
my new design;
FIG. 2 is an exploded top perspective view thereof;
FIG. 3 is an exploded bottom perspective view thereof;
FIG. 4 is a top plan view thereof;
FIG. 5 is a side elevational view thereof;
FIG. 6 is an end elevational view thereof.



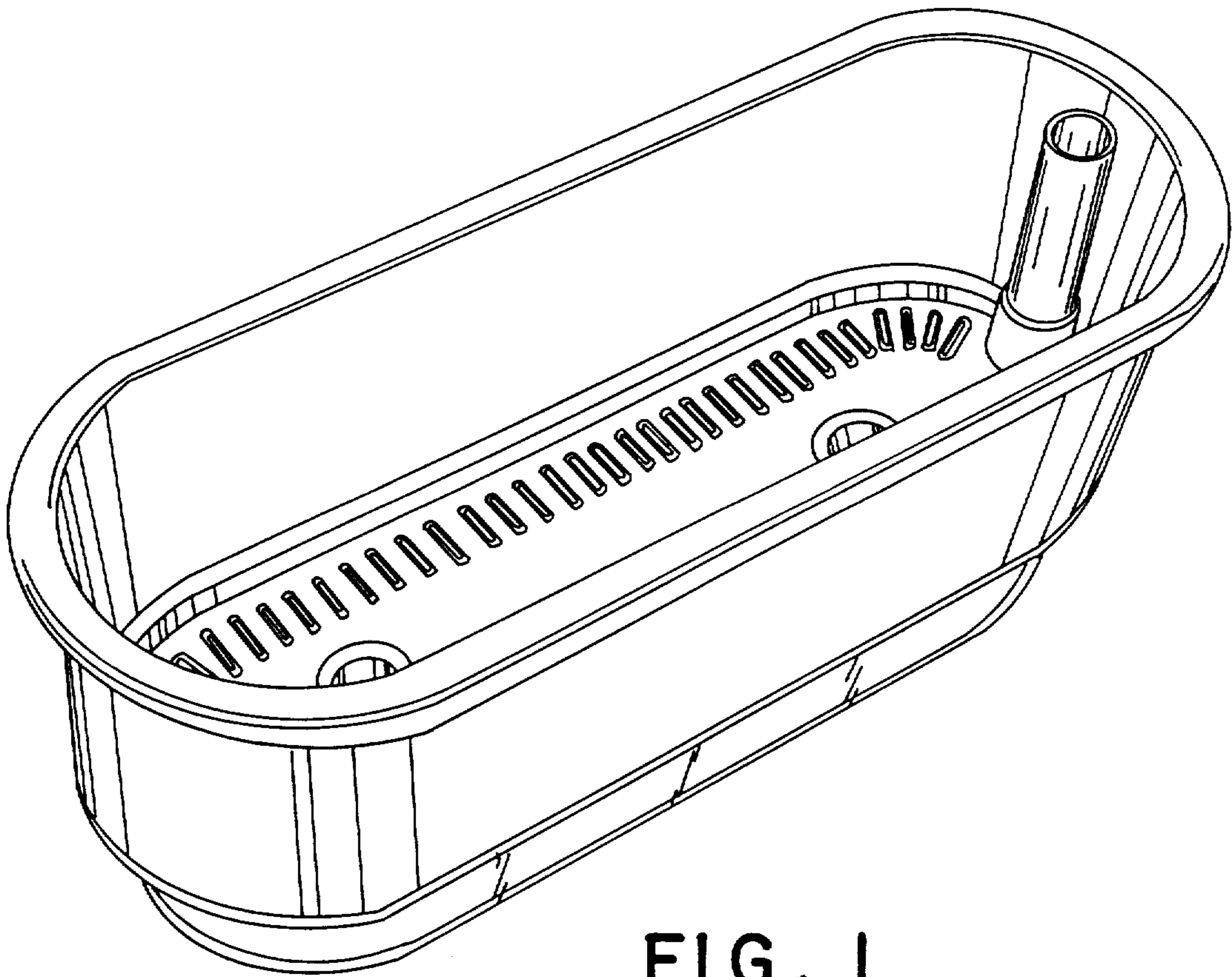


FIG. 1

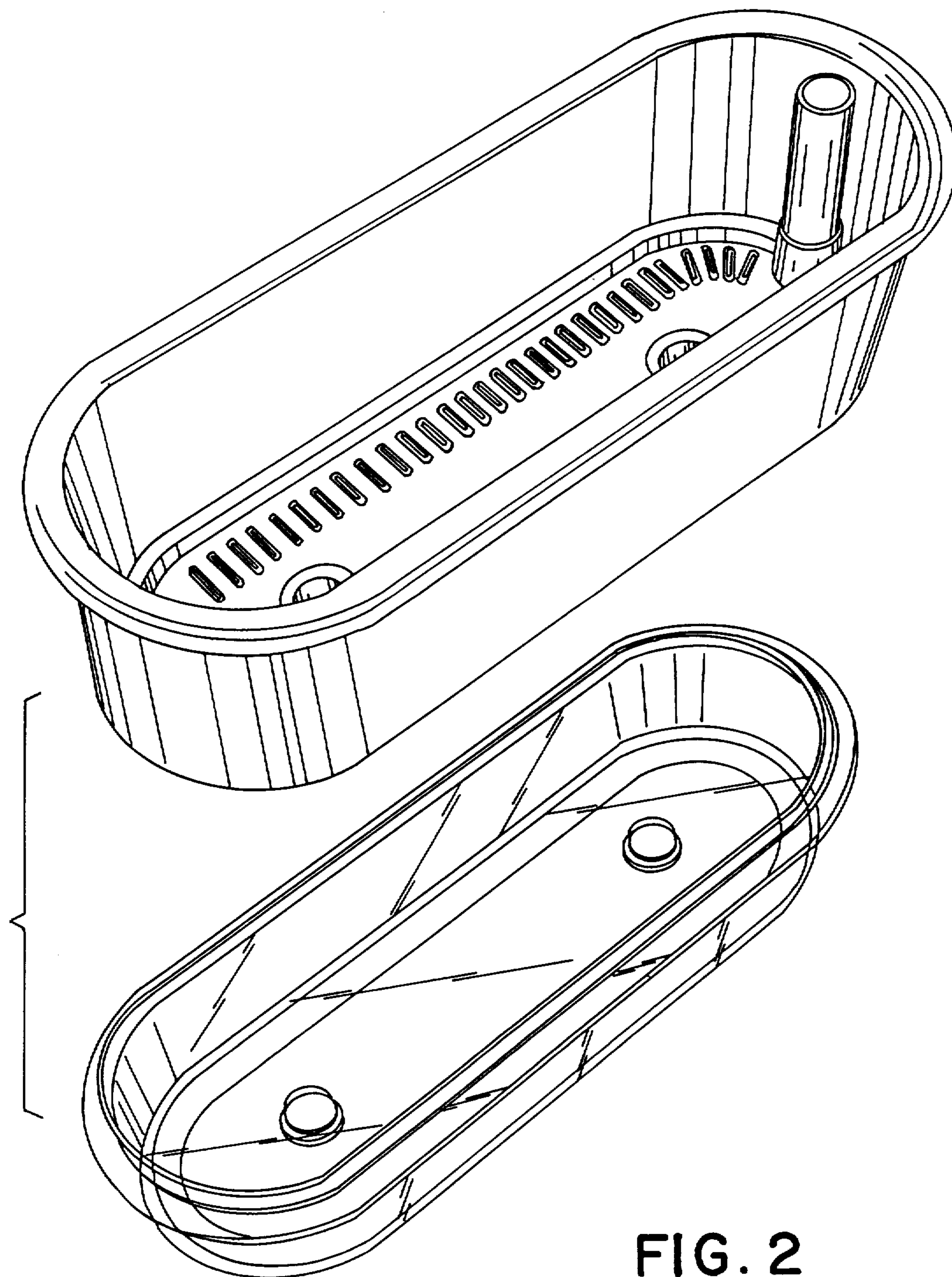


FIG. 2

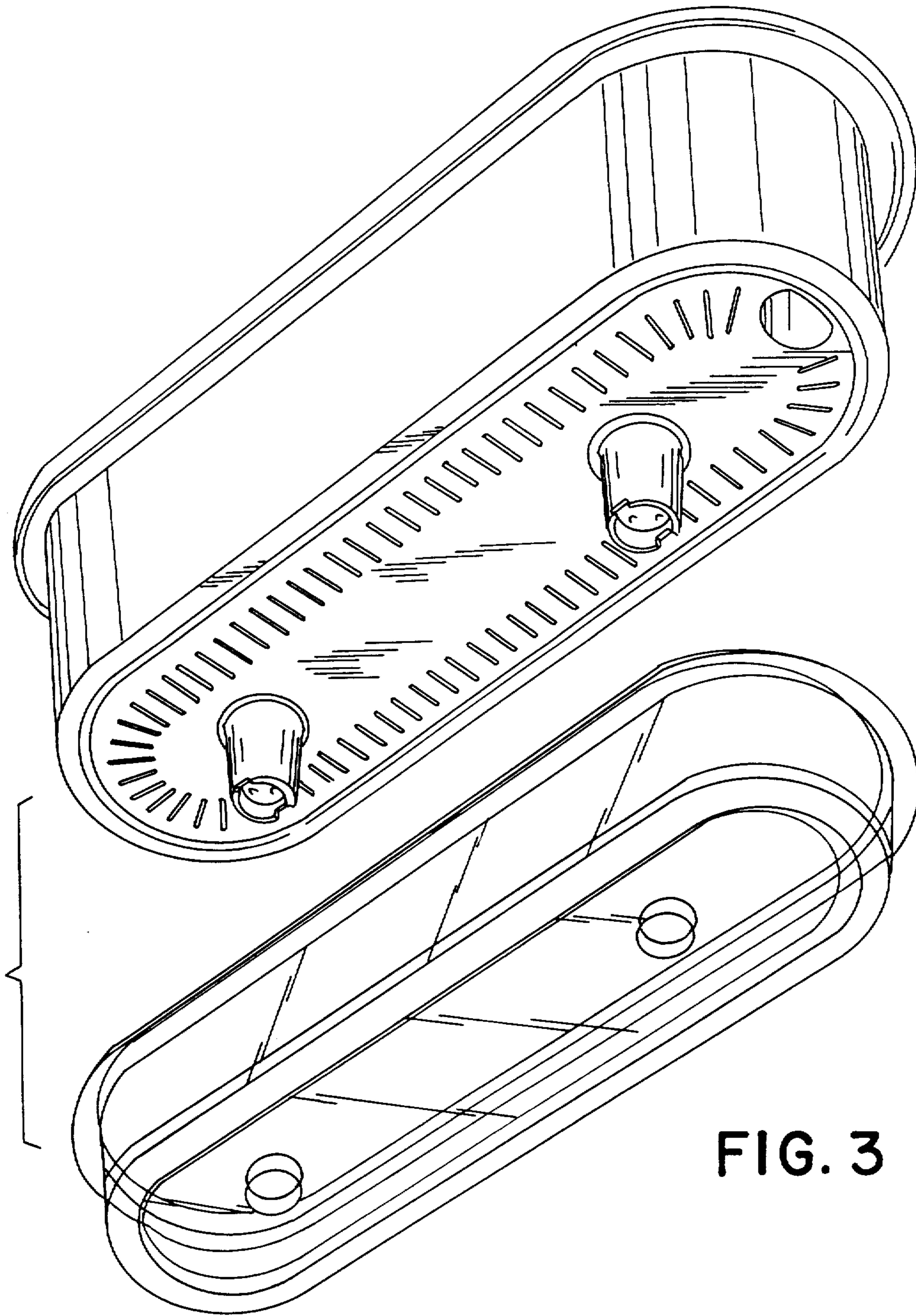


FIG. 3

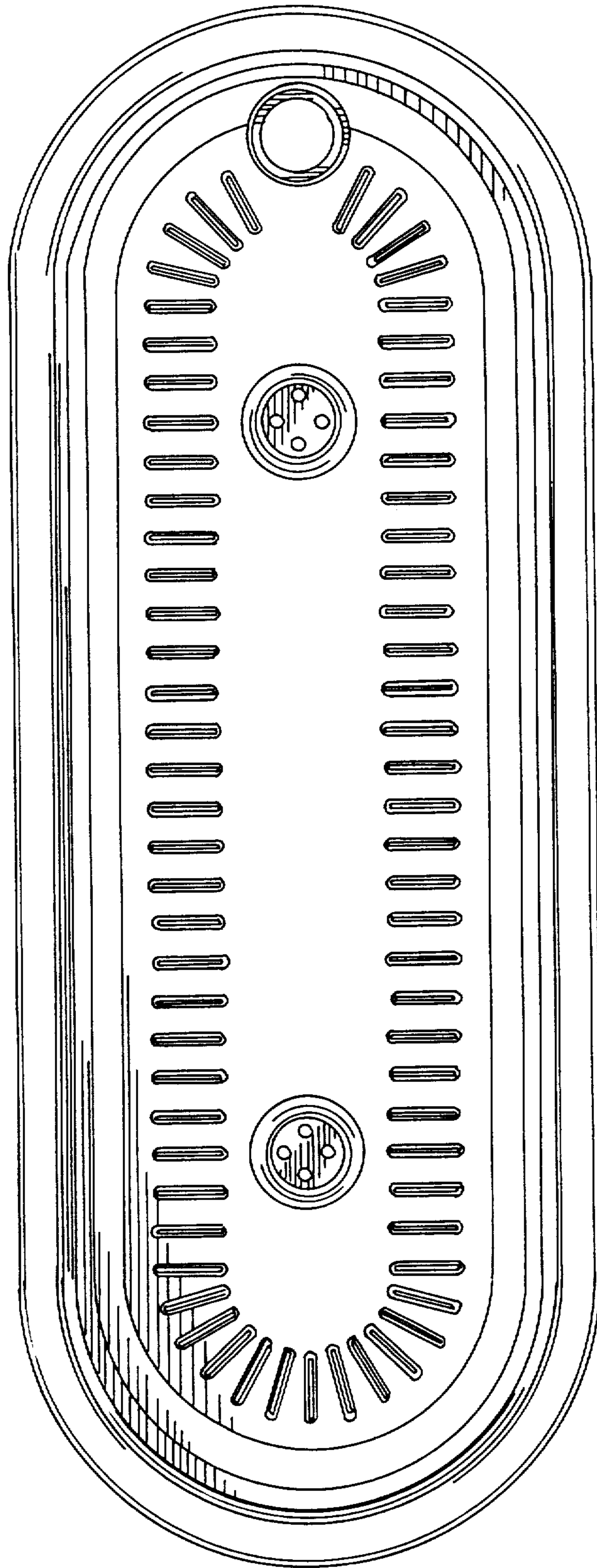


FIG. 4

FIG. 5

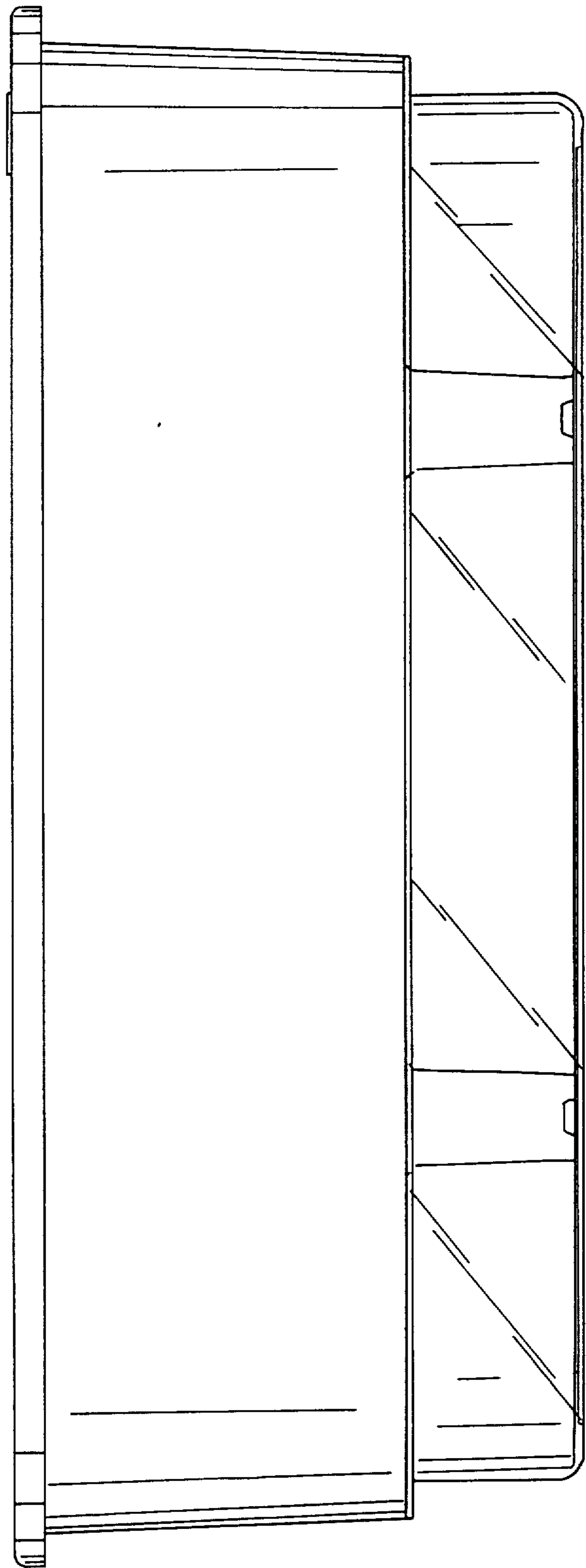


FIG. 6

