

[54] **ELECTRONIC THERMOMETER CASE**

[75] **Inventor: Stephen O. Ross, La Jolla, Calif.**

[73] **Assignee: Ivac Corporation, San Diego, Calif.**

[**] **Term: 14 Years**

[21] **Appl. No.: 909,493**

[22] **Filed: Sep. 19, 1986**

[52] **U.S. Cl. D10/57**

[58] **Field of Search D10/57, 60, 75, 78,
D10/102, 103; 374/161-170, 179, 183, 208, 209**

[56] **References Cited**

U.S. PATENT DOCUMENTS

D. 245,586	8/1977	McGlynn	D10/57
D. 249,475	9/1978	Turner	D10/57
D. 255,997	7/1980	Maeda	D10/57
D. 264,190	5/1982	Müller	D10/57
D. 293,215	12/1987	Bruno	D10/57
4,133,208	1/1979	Parlanti	374/170
4,158,965	6/1979	Prosky	374/170
4,206,649	6/1980	Nagaie	374/170
4,487,208	12/1984	Kamens	374/170

4,619,271 10/1986 Burger 374/170 X

Primary Examiner—Nelson C. Holtje
Attorney, Agent, or Firm—Fulwider, Patton, Rieber,
Lee & Utecht

[57] **CLAIM**

The ornamental design for an electronic thermometer case, as shown.

DESCRIPTION

FIG. 1 is a top and left front perspective view of an electronic thermometer case showing my new design; FIG. 2 is a top plan view thereof; FIG. 3 is a left side elevational view thereof with a portion broken-away for ease of illustration of the probe well; FIG. 4 is a front elevational view thereof; FIG. 5 is a rear elevational view thereof; FIG. 6 is a right side elevational view thereof; and FIG. 7 is a bottom plan view thereof. The broken-line showings of probes and cables in FIGS. 1-7 are environmental only and form no part of the claimed design.

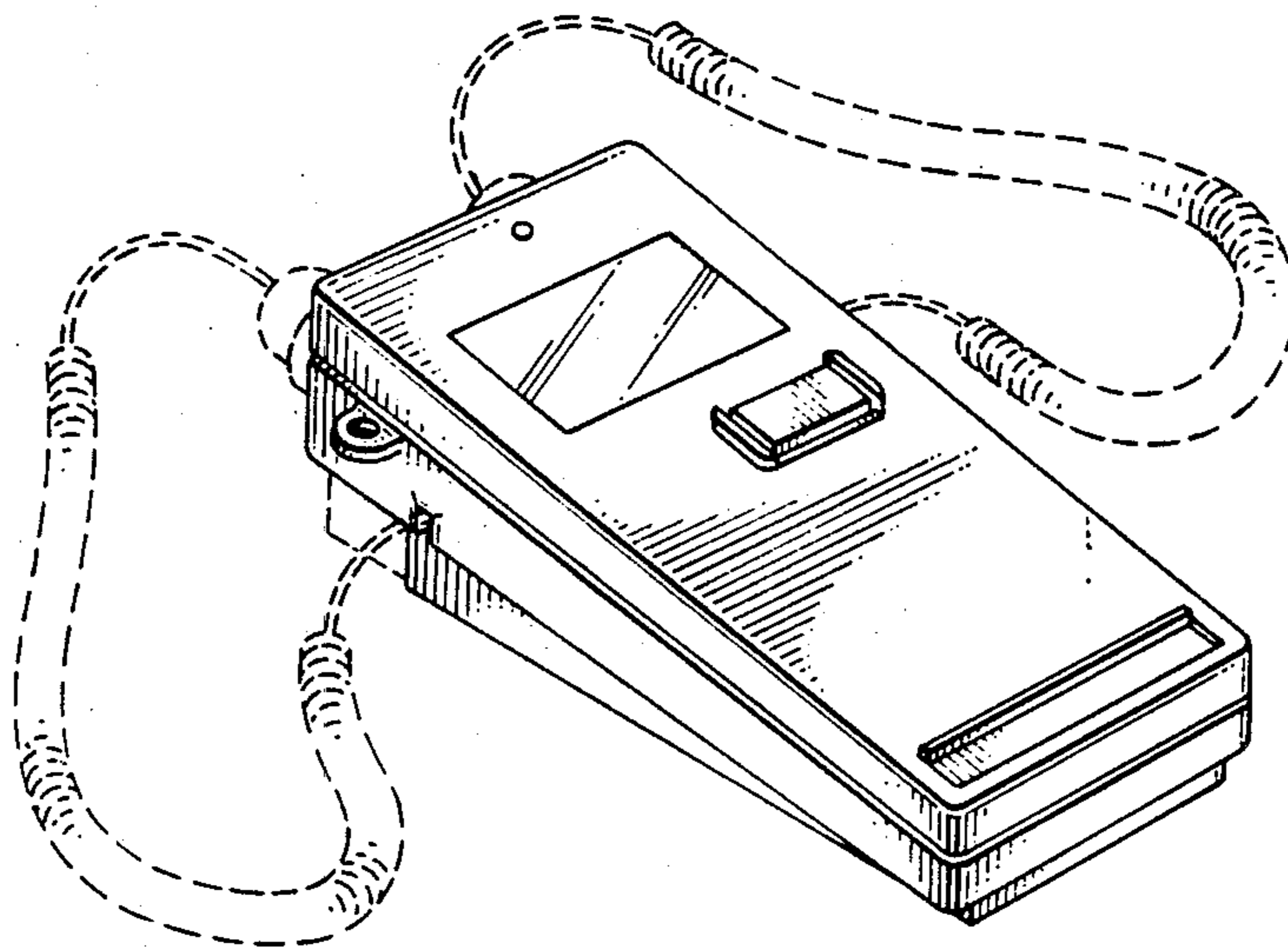


Fig. 1

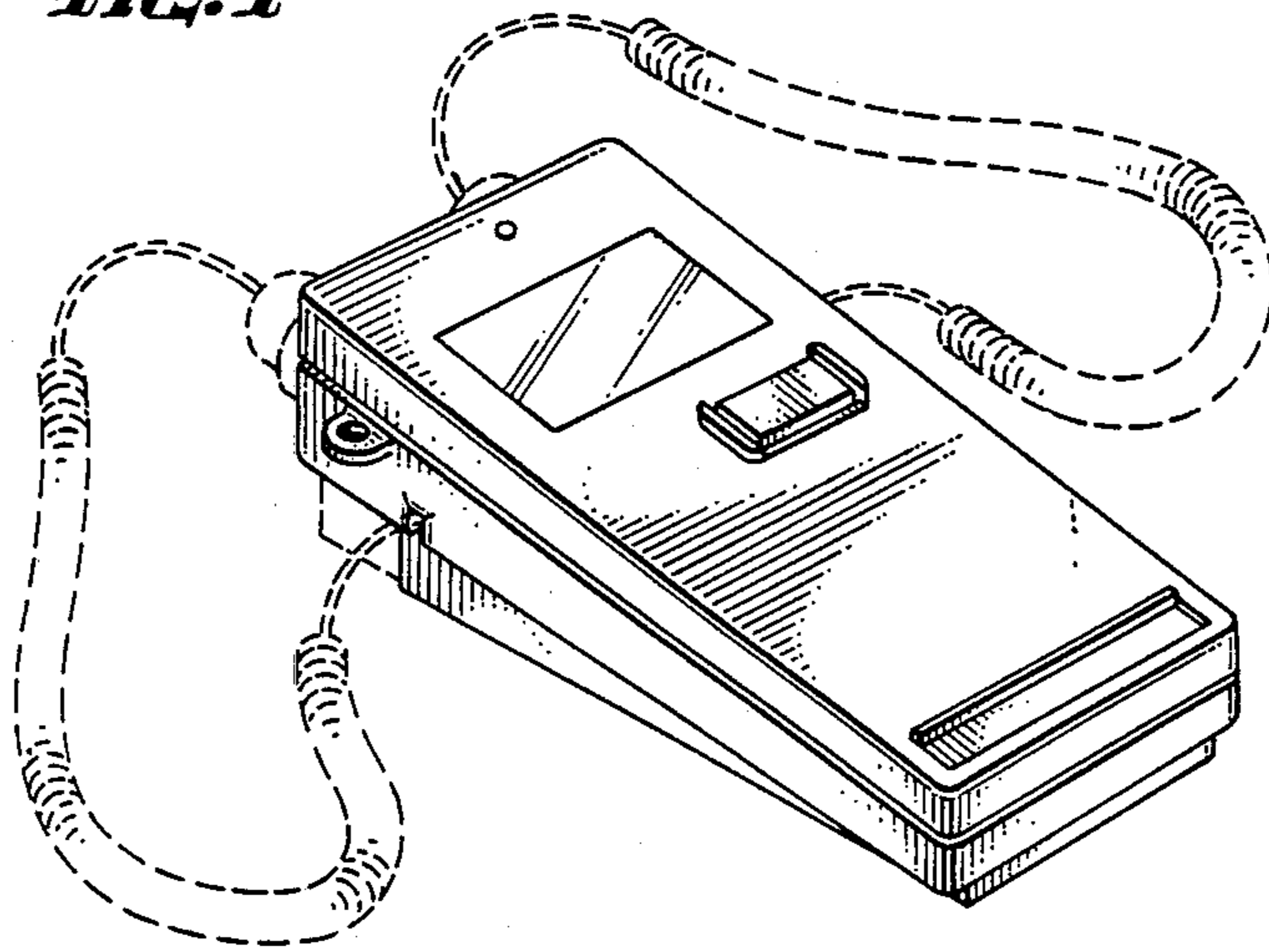


Fig. 2

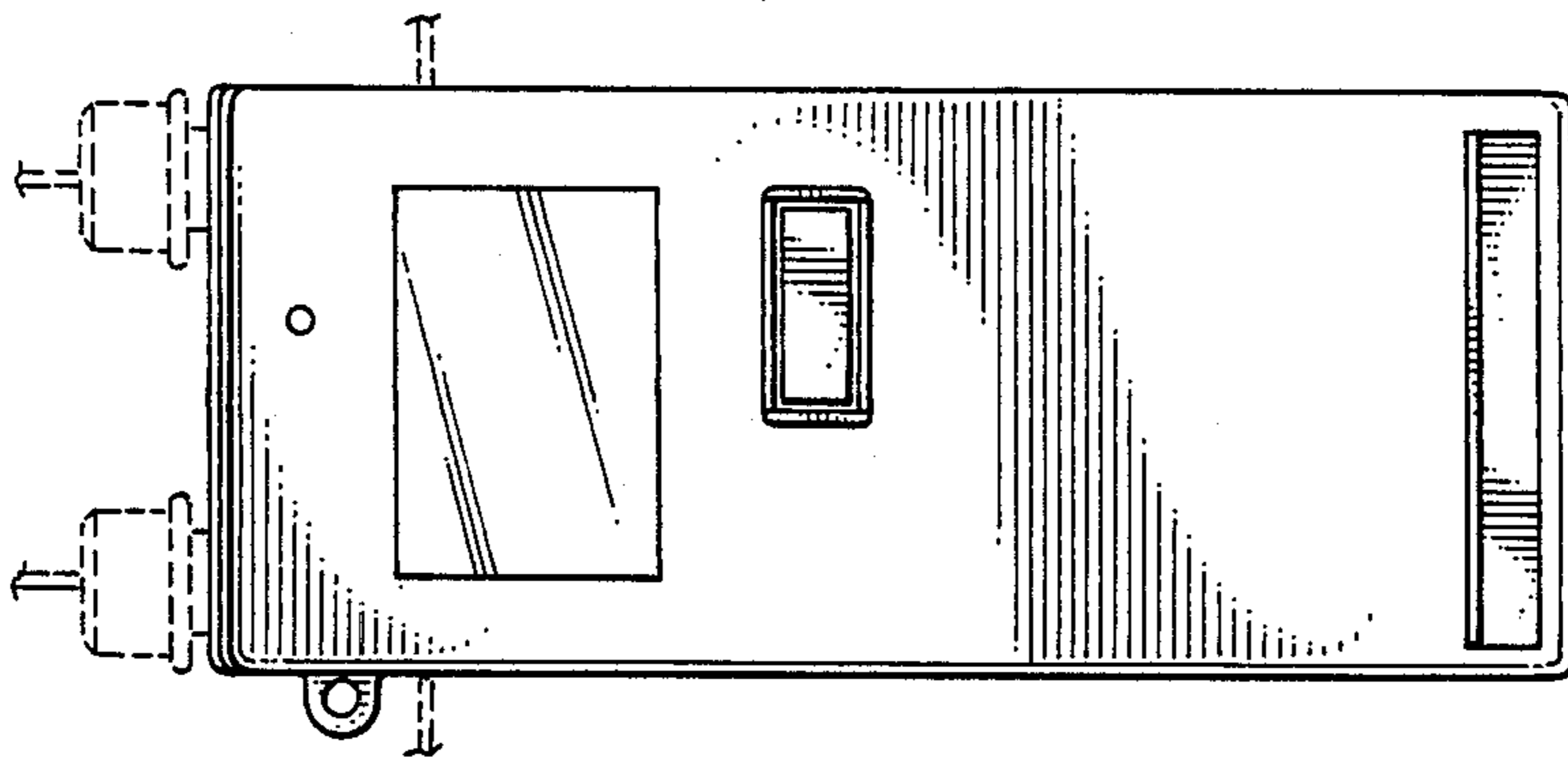


Fig. 3

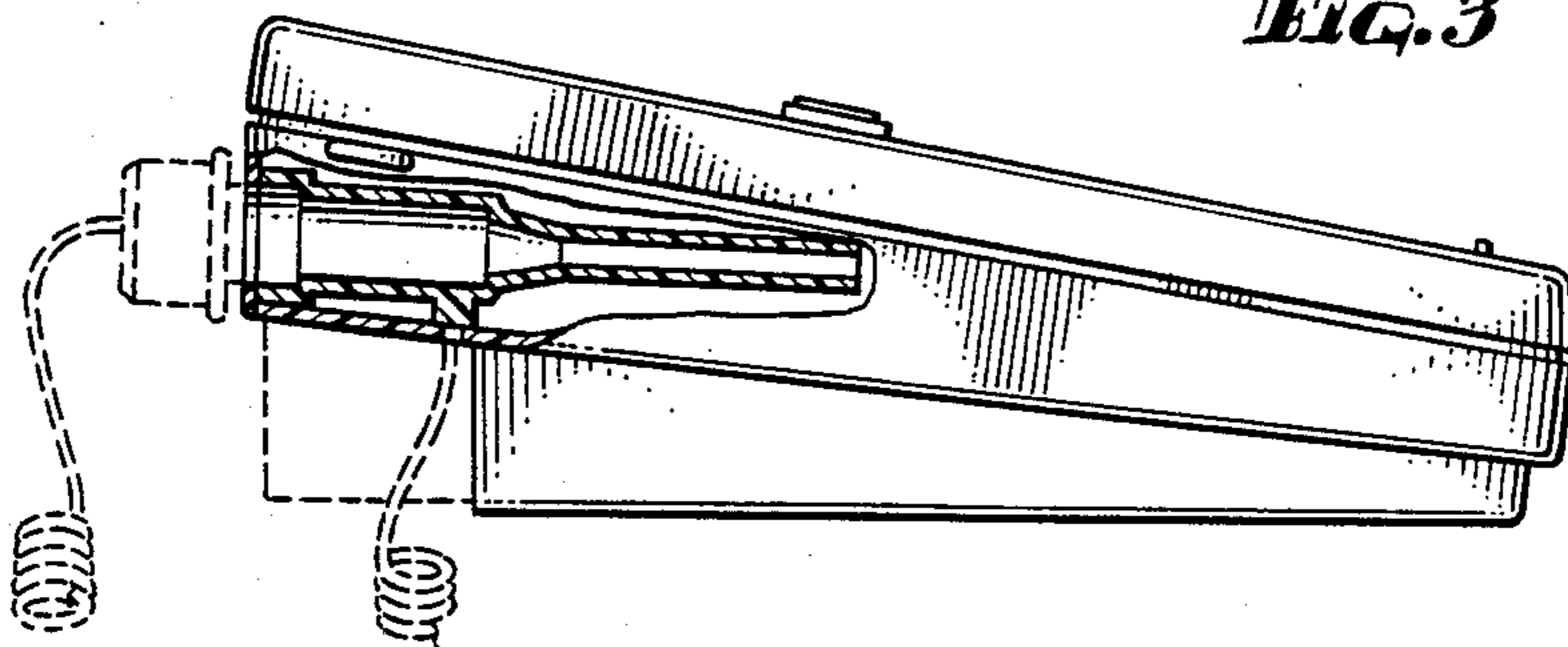


Fig. 4

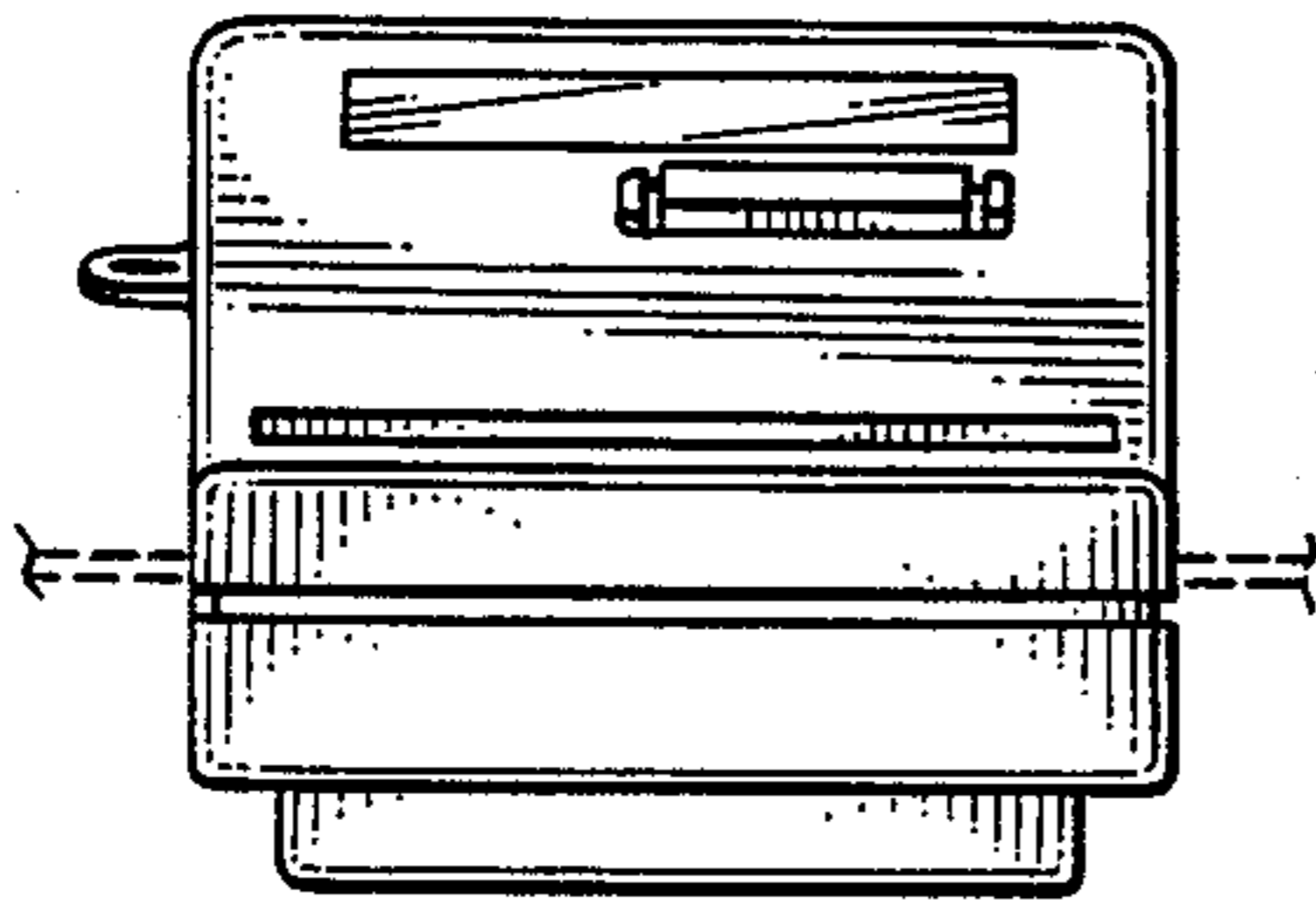


Fig. 5

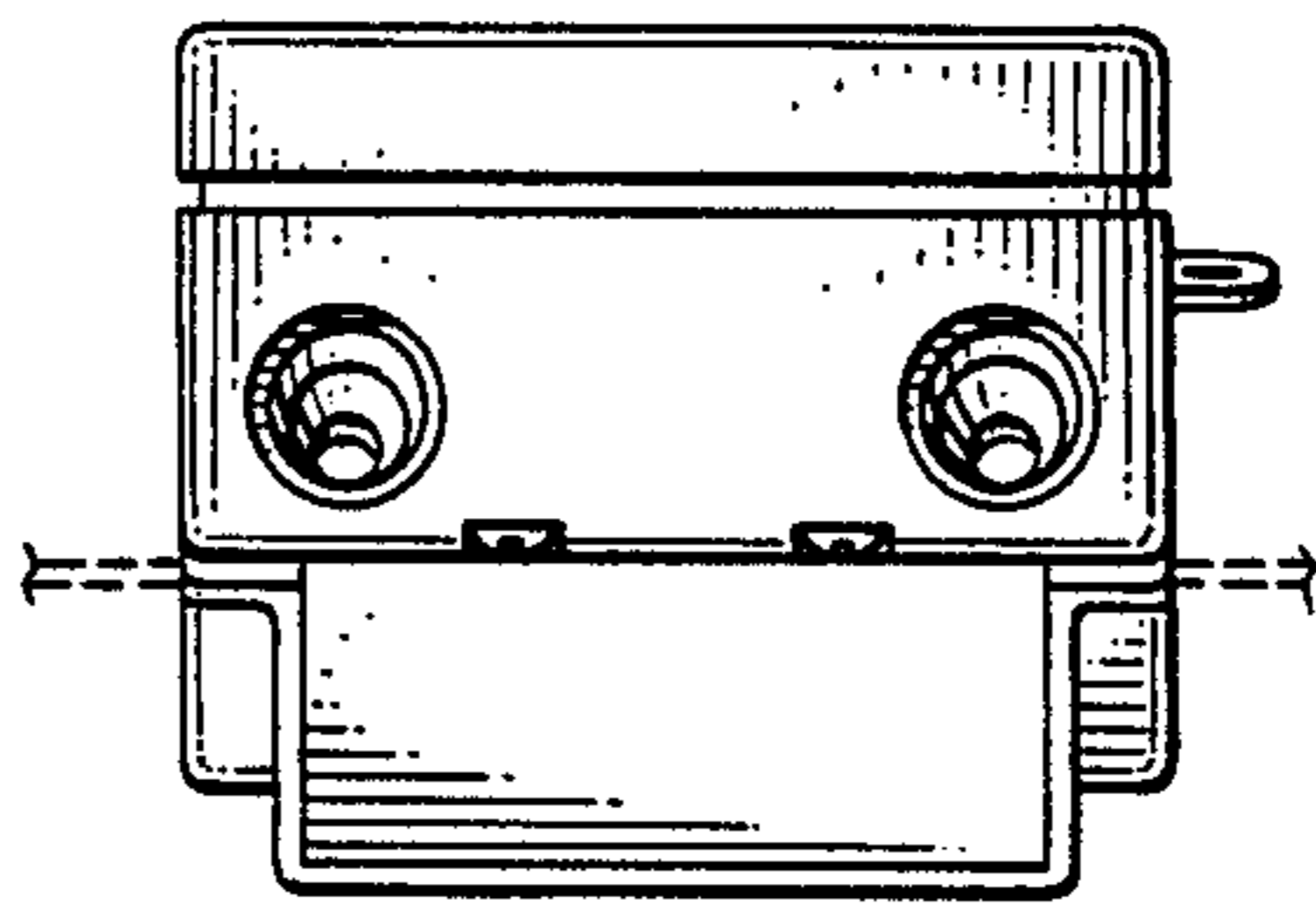


Fig. 6

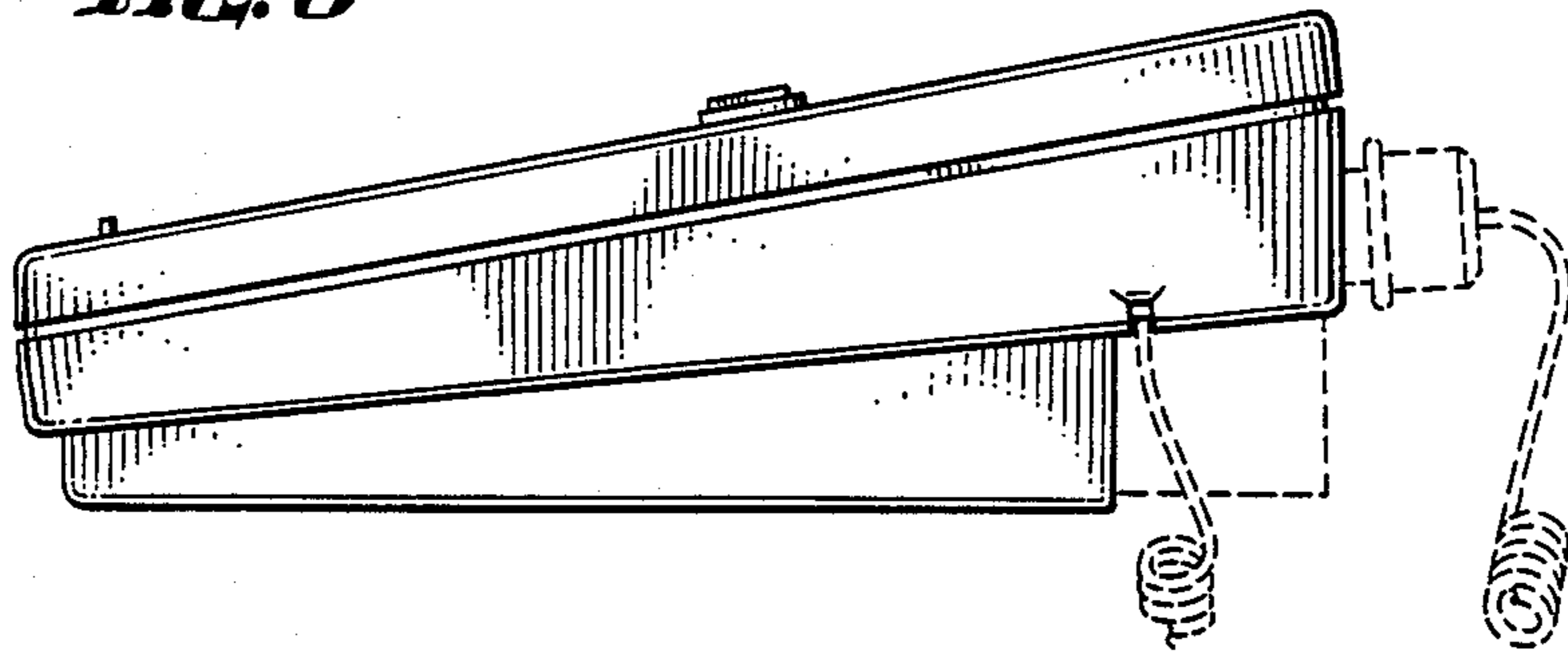


Fig. 7

