

United States Patent [19]
Trubiano

[11] **Patent Number: Des. 300,720**
[45] **Date of Patent: ** Apr. 18, 1989**

- [54] **SHOPPING CART LOCK**
[75] **Inventor: Antoine Trubiano,**
Pointe-aux-Trembles, Canada
[73] **Assignee: Cari-All Inc., Montreal, Canada**
[**] **Term: 14 Years**
[21] **Appl. No.: 833,764**
[22] **Filed: Feb. 18, 1986**
[52] **U.S. Cl. D8/330**
[58] **Field of Search D8/330-331,**
D8/333-334, 340-341; 70/57-58, 62, 207;
194/205, 212, 253, 257; D34/27
- [56] **References Cited**
U.S. PATENT DOCUMENTS
4,545,591 10/1985 Balha 70/57 X

4,589,538 5/1986 Payraudeau 194/205

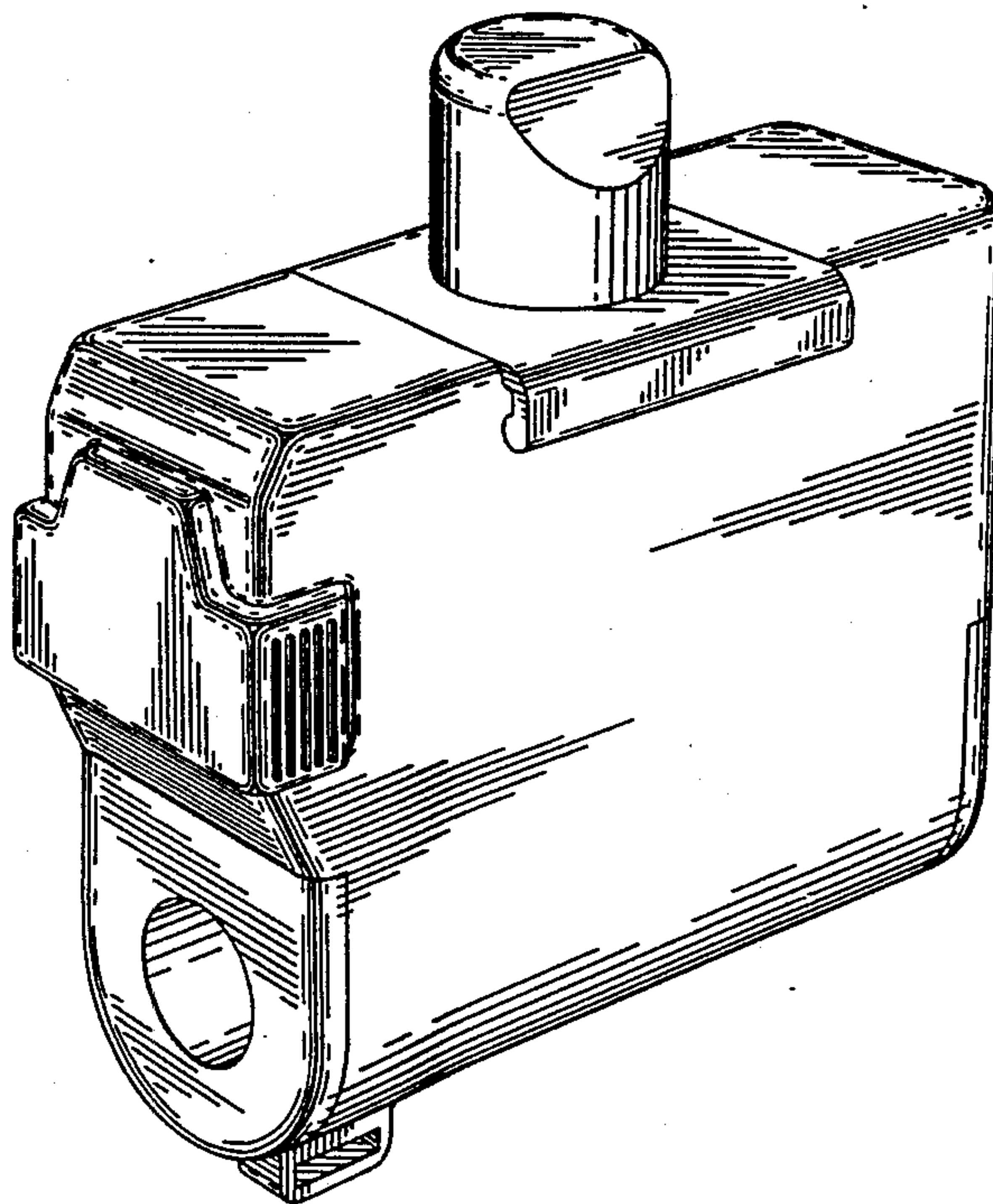
Primary Examiner—Wallace R. Burke
Assistant Examiner—Brian N. Vinson

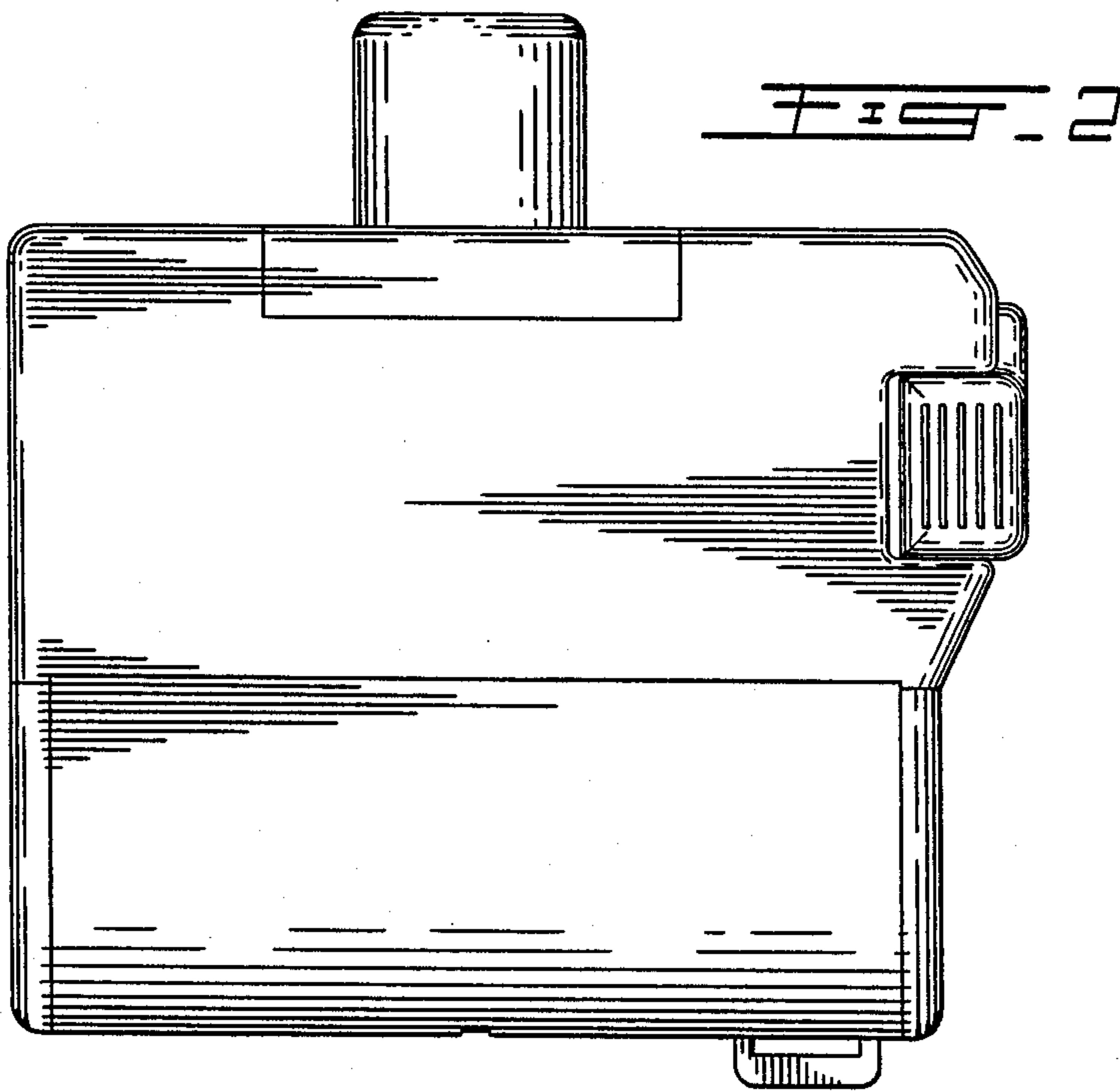
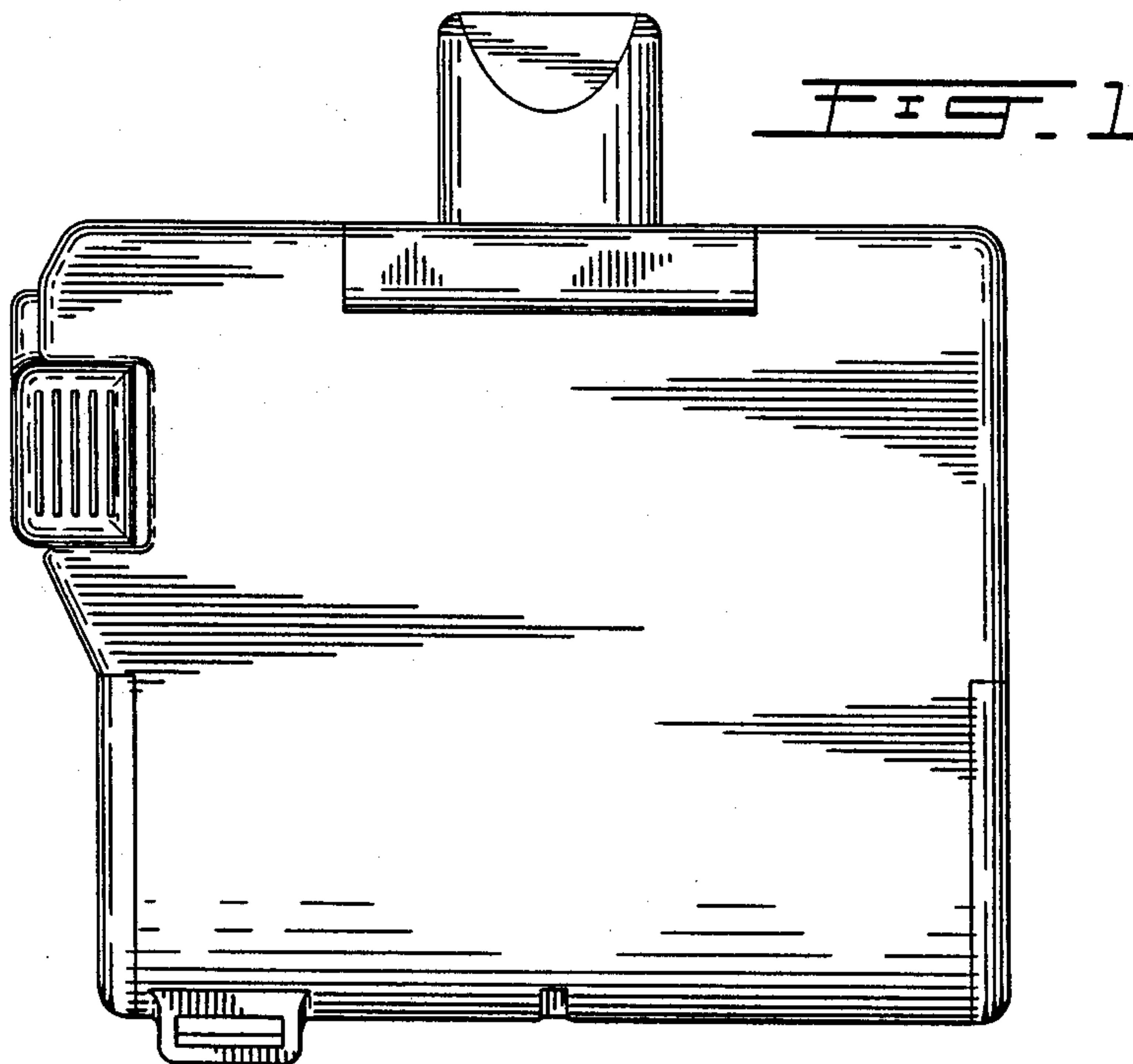
[57] **CLAIM**

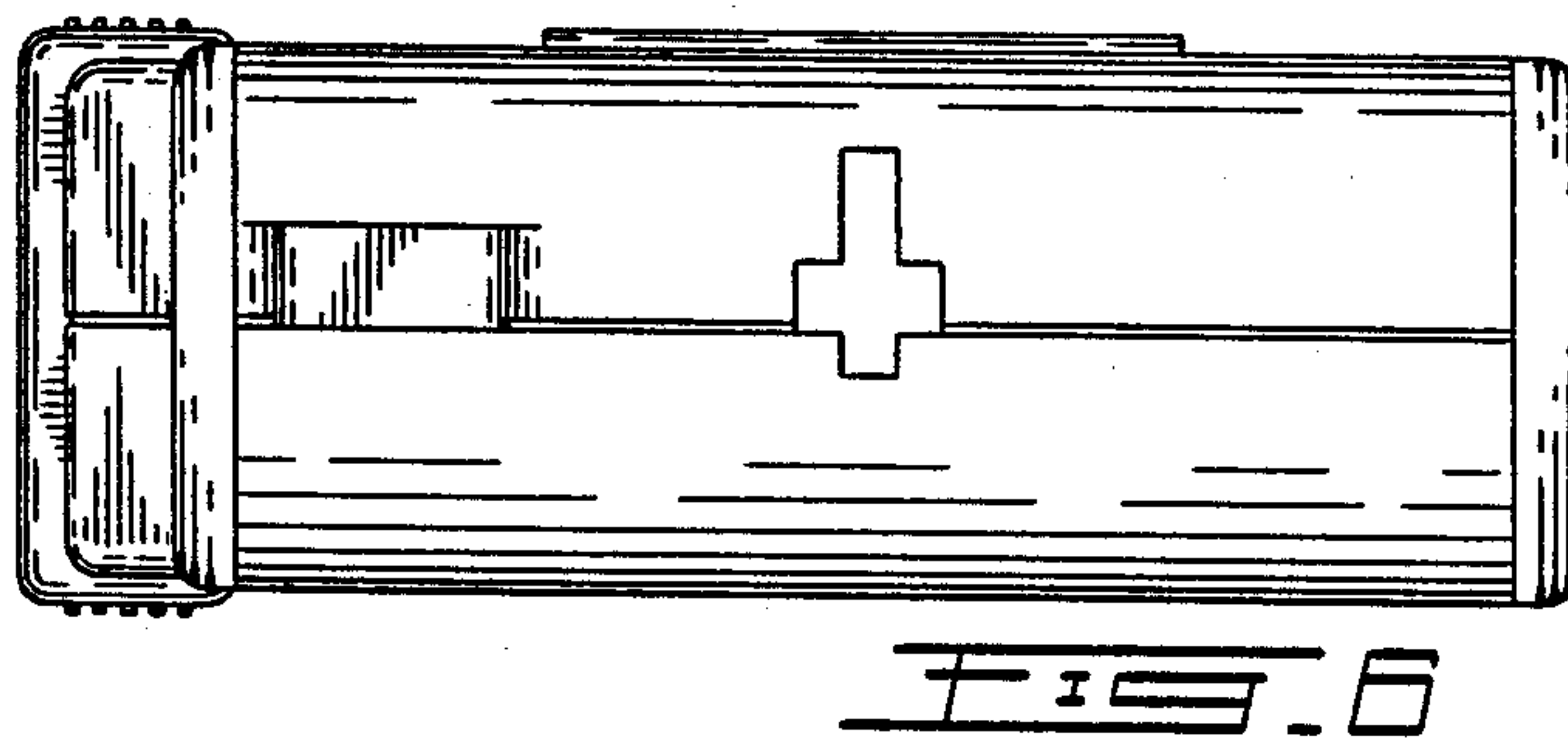
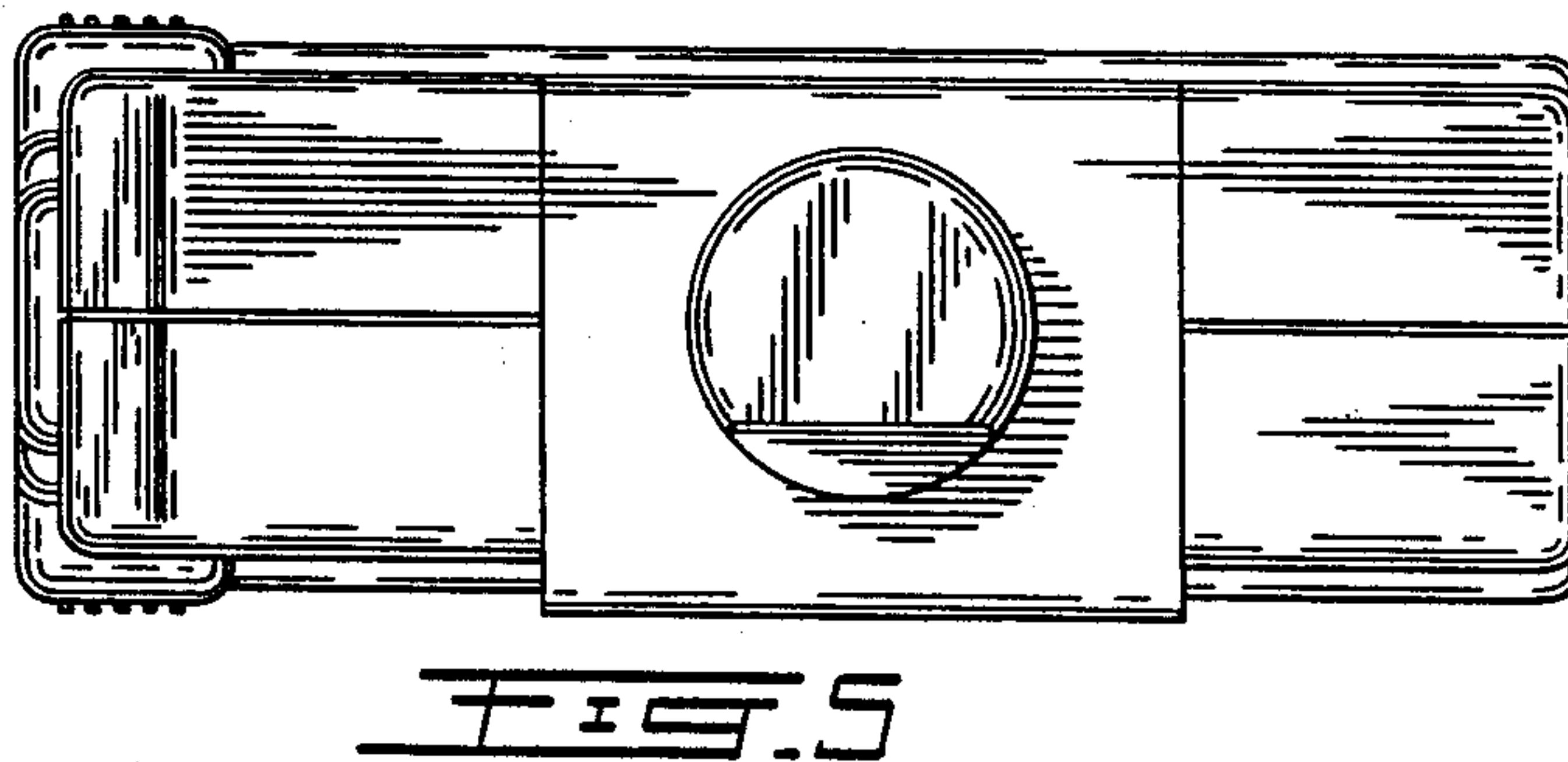
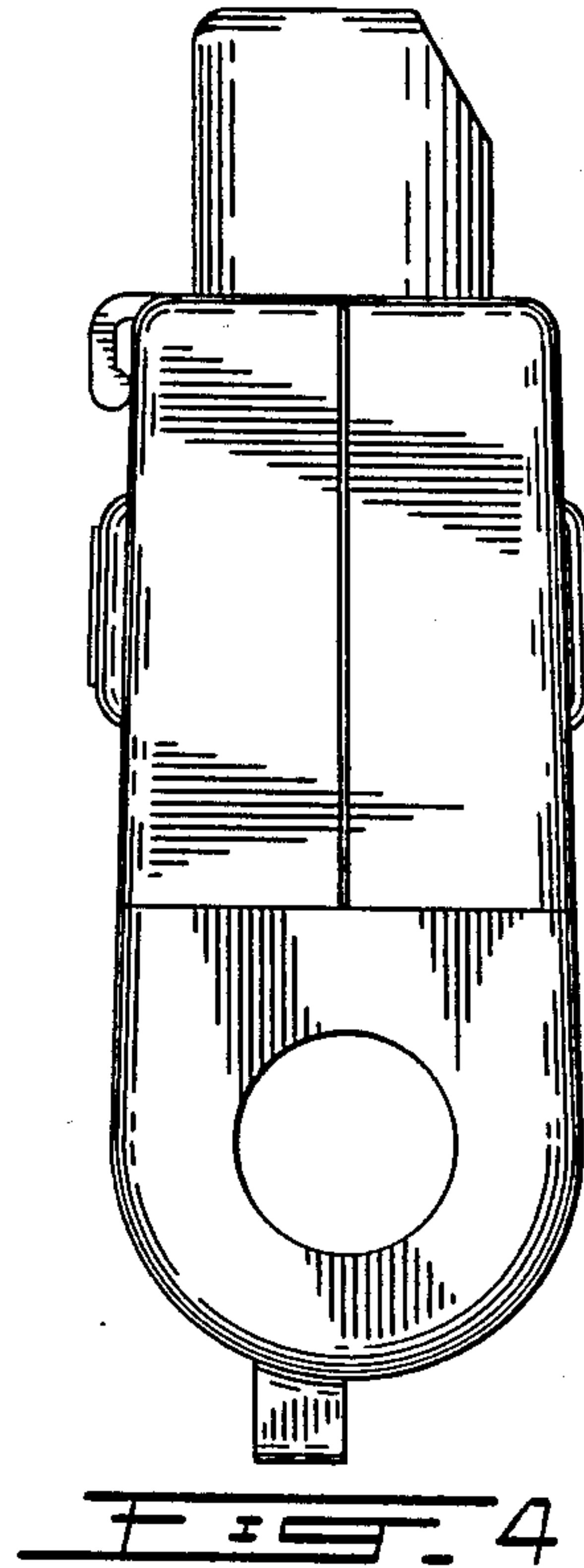
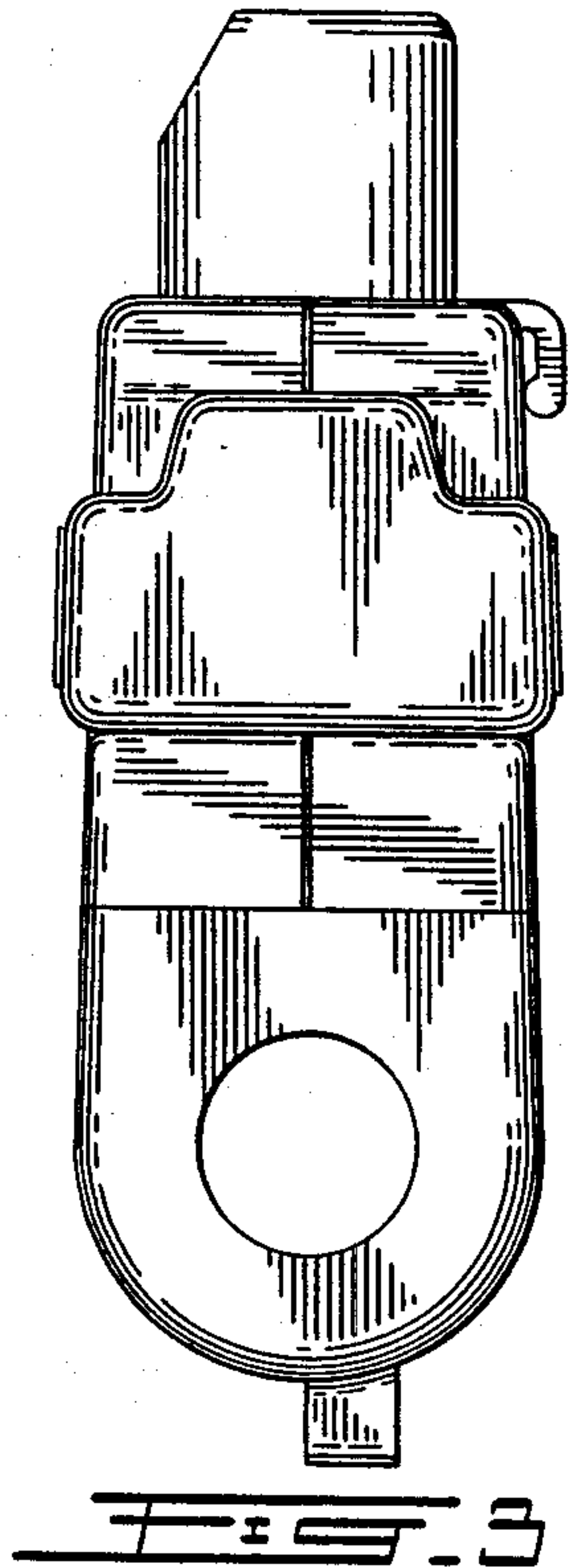
The ornamental design for a shopping cart lock, as shown and described.

DESCRIPTION

FIG. 1 is a front elevational view of a shopping cart lock showing my new design;
FIG. 2 is a rear elevational view thereof;
FIG. 3 is a left side elevational view thereof;
FIG. 4 is a right side elevational view thereof;
FIG. 5 is a top plan view thereof;
FIG. 6 is a bottom plan view thereof; and
FIG. 7 is a top, front and left side elevational view thereof.







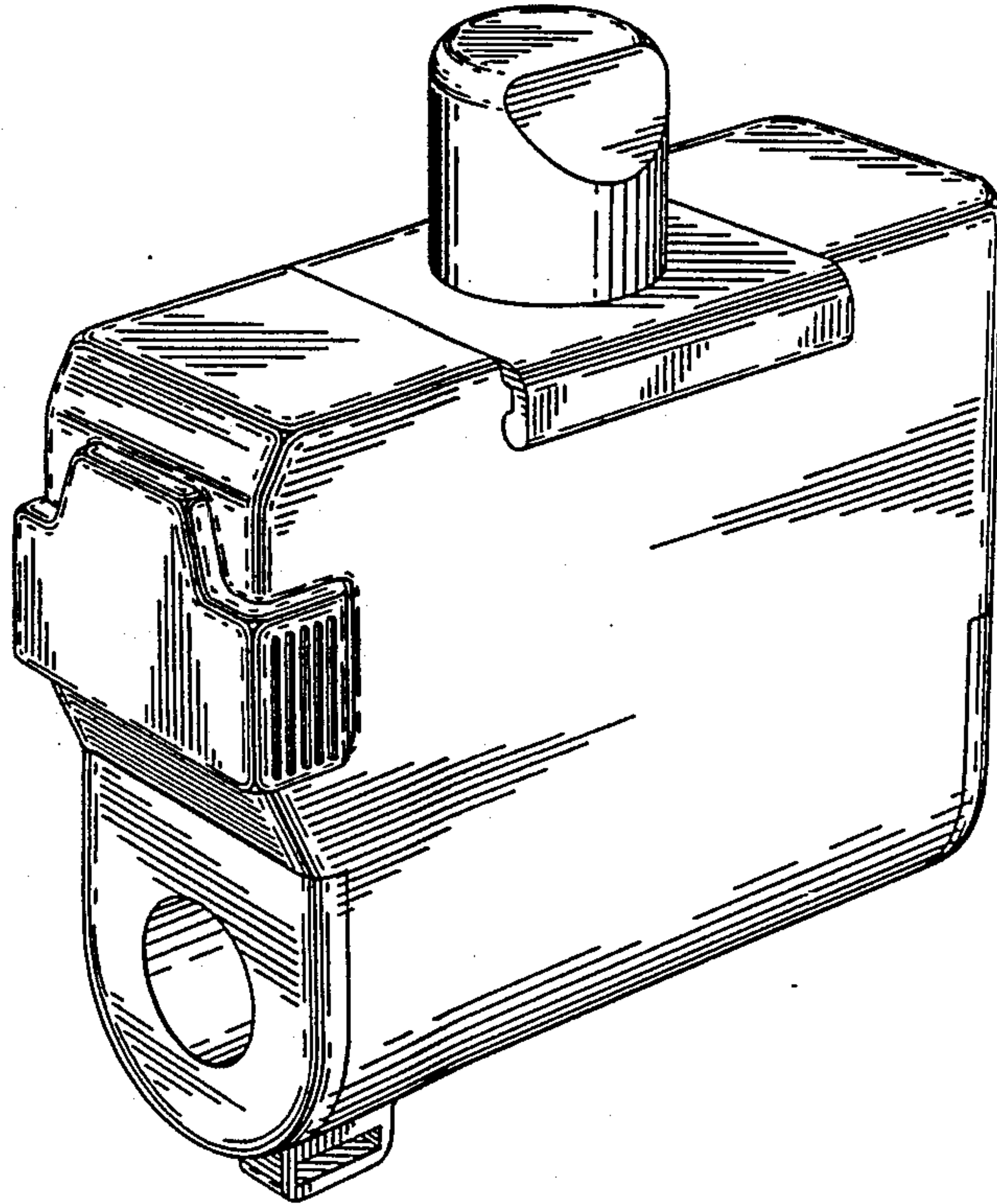


FIG. 7