

[54] DOOR PULL

[75] Inventors: Nolan K. Rhoades, Beloit, Wis.; Dick W. Hauer; Loren E. Abraham, both of Stillwater, Minn.

[73] Assignees: Amerock Corporation, Rockford, Ill.; Andersen Corporation, Bayport, Minn.

[**] Term: 14 Years

[21] Appl. No.: 160,096

[22] Filed: Feb. 25, 1988

Related U.S. Application Data

[63] Continuation of Ser. No. 841,734, Mar. 5, 1986, abandoned.

[52] U.S. Cl. D8/308

[58] Field of Search D8/300, 307, 308; 16/110 R, 121

[56] References Cited

U.S. PATENT DOCUMENTS

D. 81,026	4/1930	Schnell	D8/308
D. 81,158	5/1930	Schnell	D8/308
D. 85,844	12/1931	Schnell	D8/308
D. 115,670	7/1939	Hollindale	D8/308
D. 271,560	11/1983	Valli	D8/306

OTHER PUBLICATIONS

Acme Hardware Cat.; ©1965; p. 1; Lever No. 38/103-4" top center.

Primary Examiner—B. J. Bullock
Attorney, Agent, or Firm—Leydig, Voit & Mayer, Ltd.

[57] CLAIM

The ornamental design for a door pull, as shown and described.

DESCRIPTION

FIG. 1 is a left side elevational view of a door pull showing the new design; the view being taken from the left of FIG. 2;

FIG. 2 is a front elevational view thereof;

FIG. 3 is a right side elevational view thereof;

FIG. 4 is a top plan view thereof;

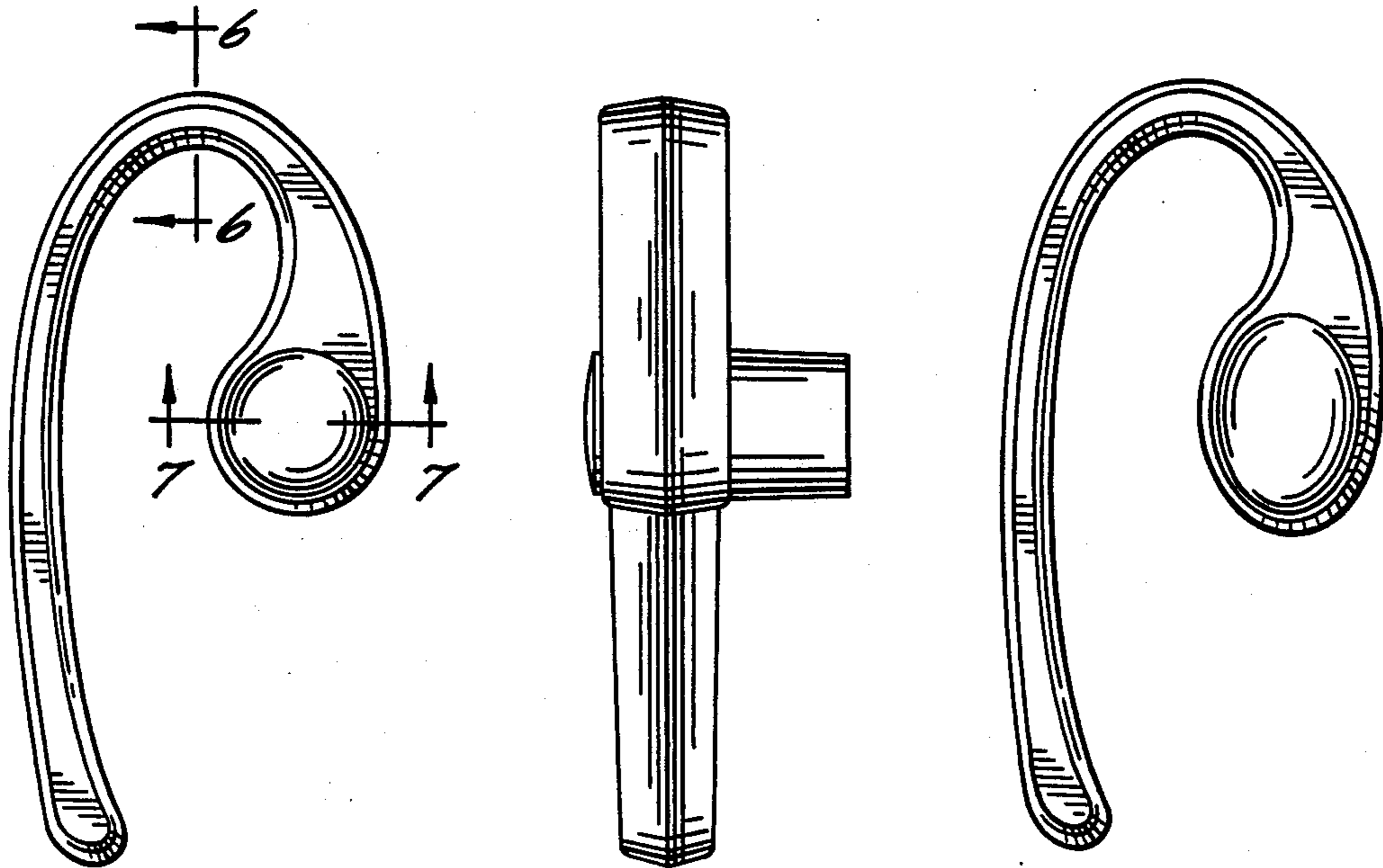
FIG. 5 is a bottom plan view thereof;

FIG. 6 is an enlarged cross-section taken substantially along the line 6—6 of FIG. 2;

FIG. 7 is an enlarged cross-section taken substantially along the line 7—7 of FIG. 2;

FIG. 8 is a front elevational view of a second embodiment of the design of FIG. 1;

FIG. 9 is a side elevational view thereof as taken from the right of FIG. 2; the left side elevational view and the top and bottom plan views being generally the same as FIGS. 1, 4 and 5, respectively.



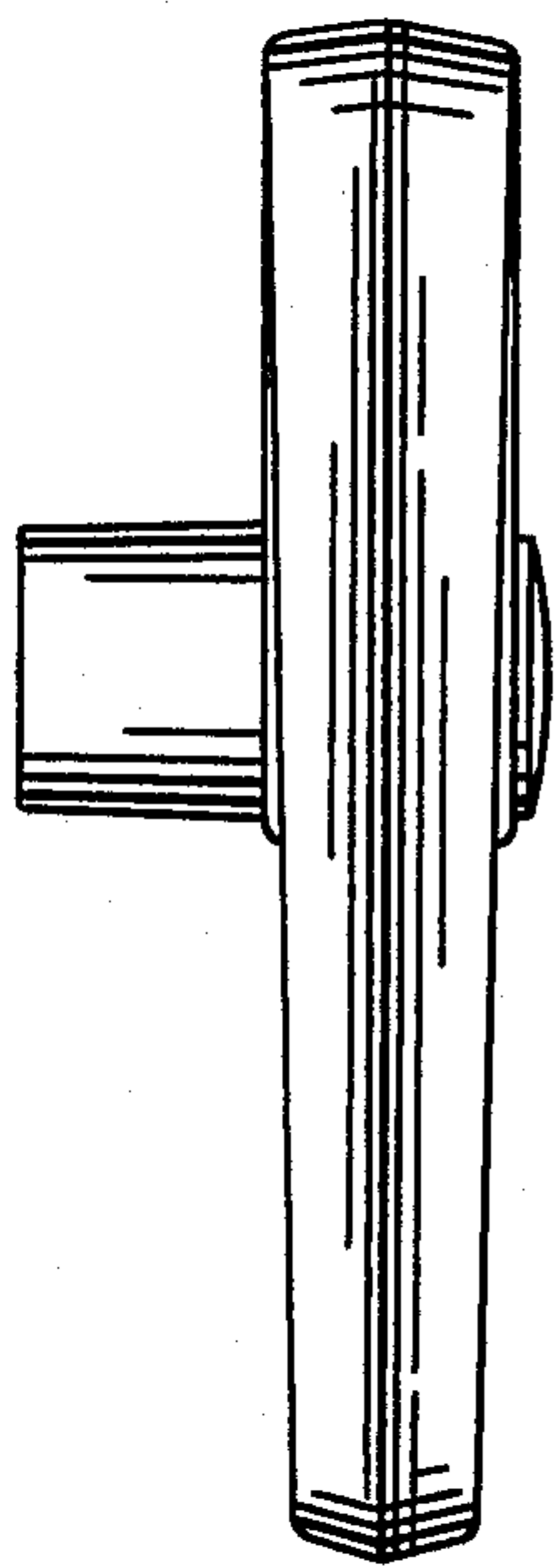


FIG. 1.

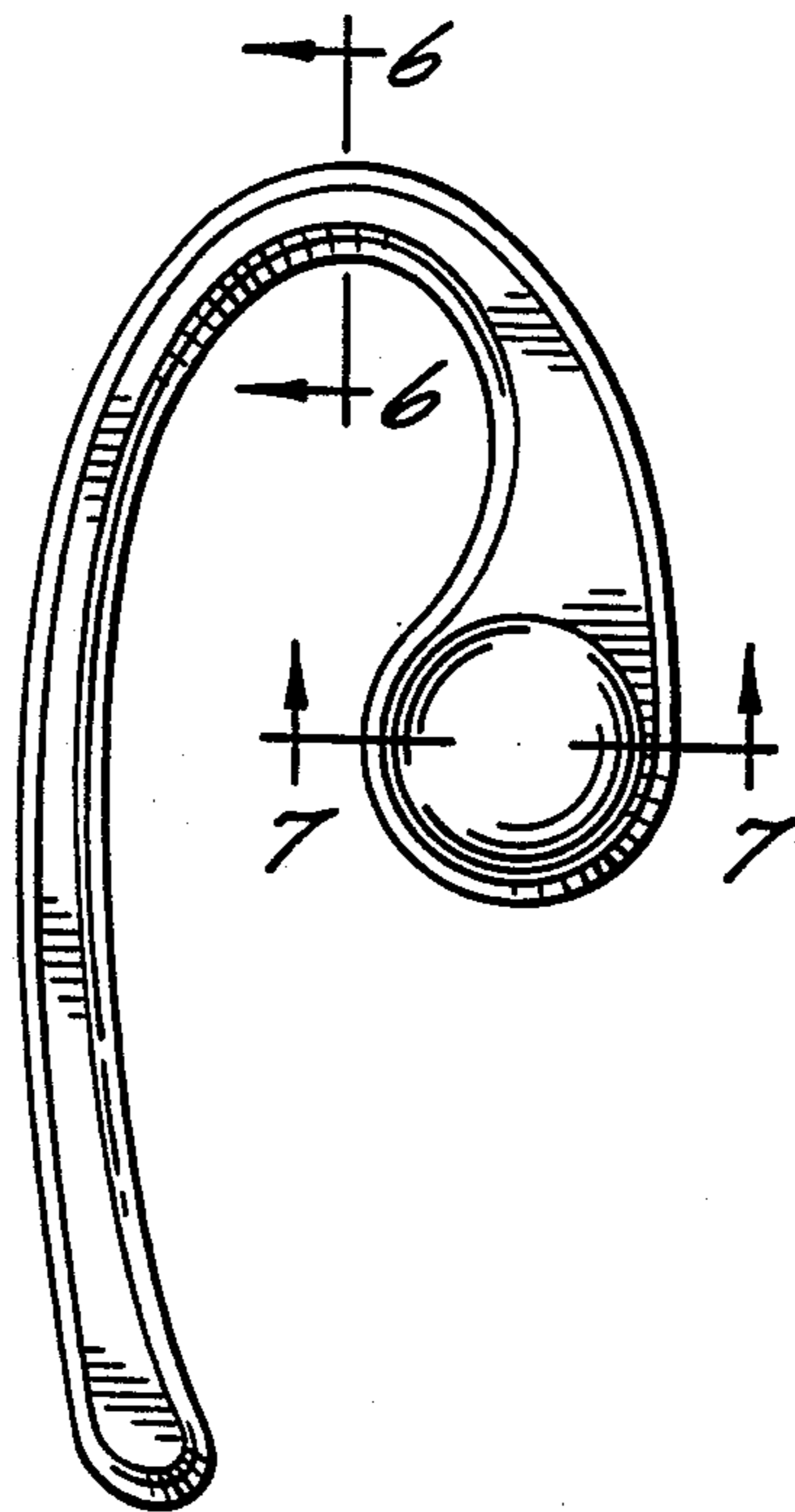


FIG. 2.

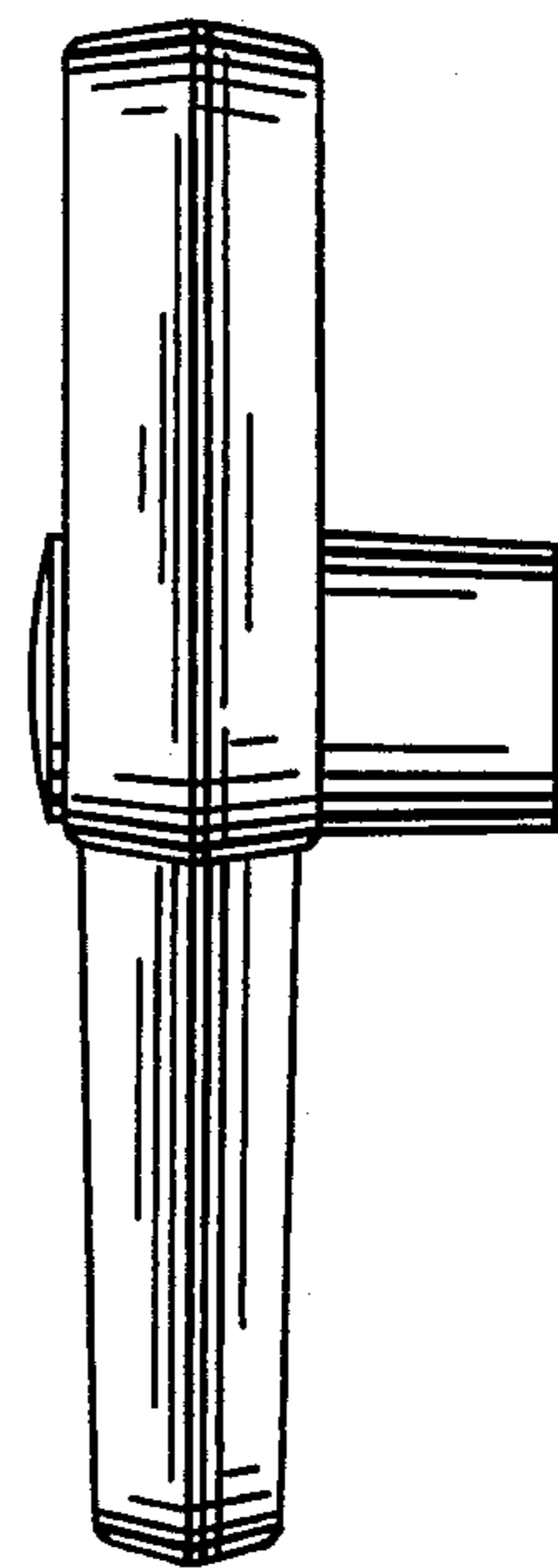


FIG. 3.

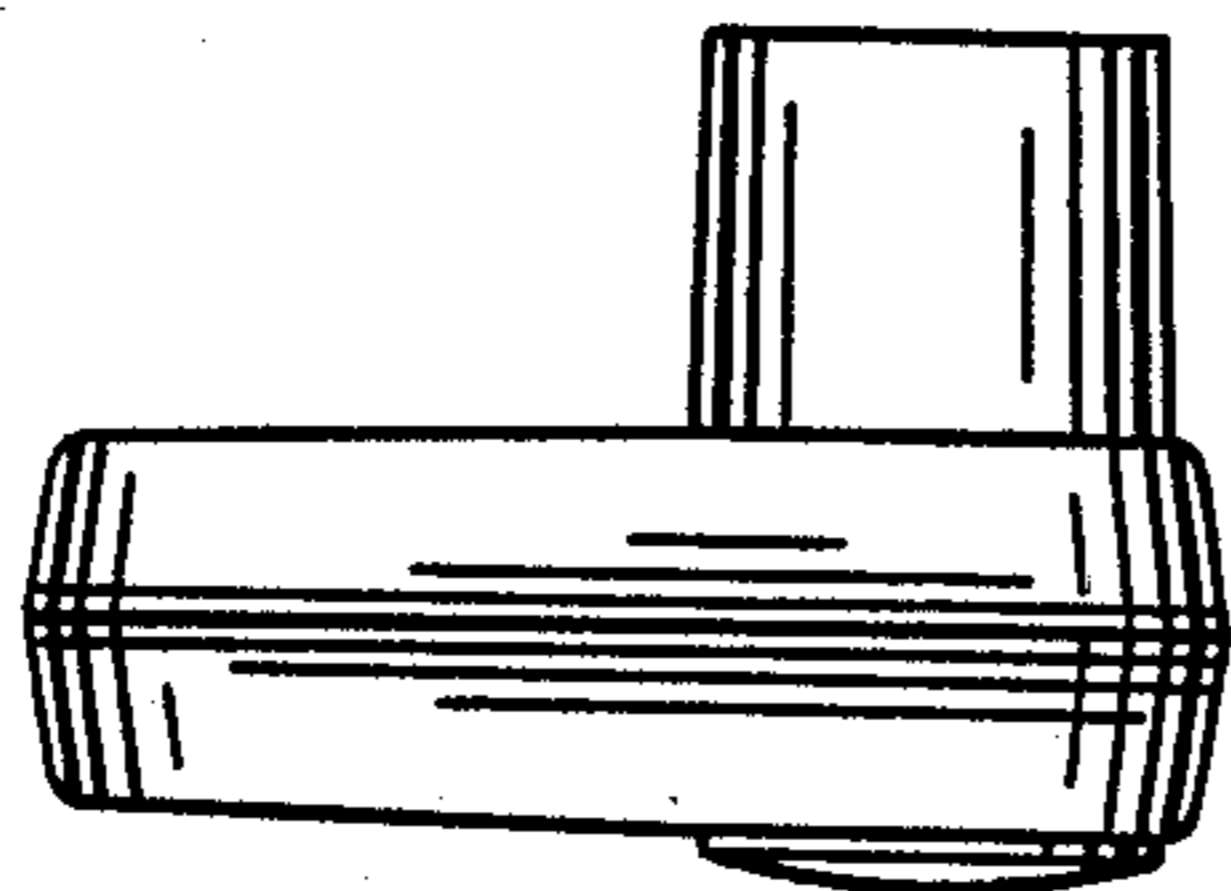


FIG. 4.

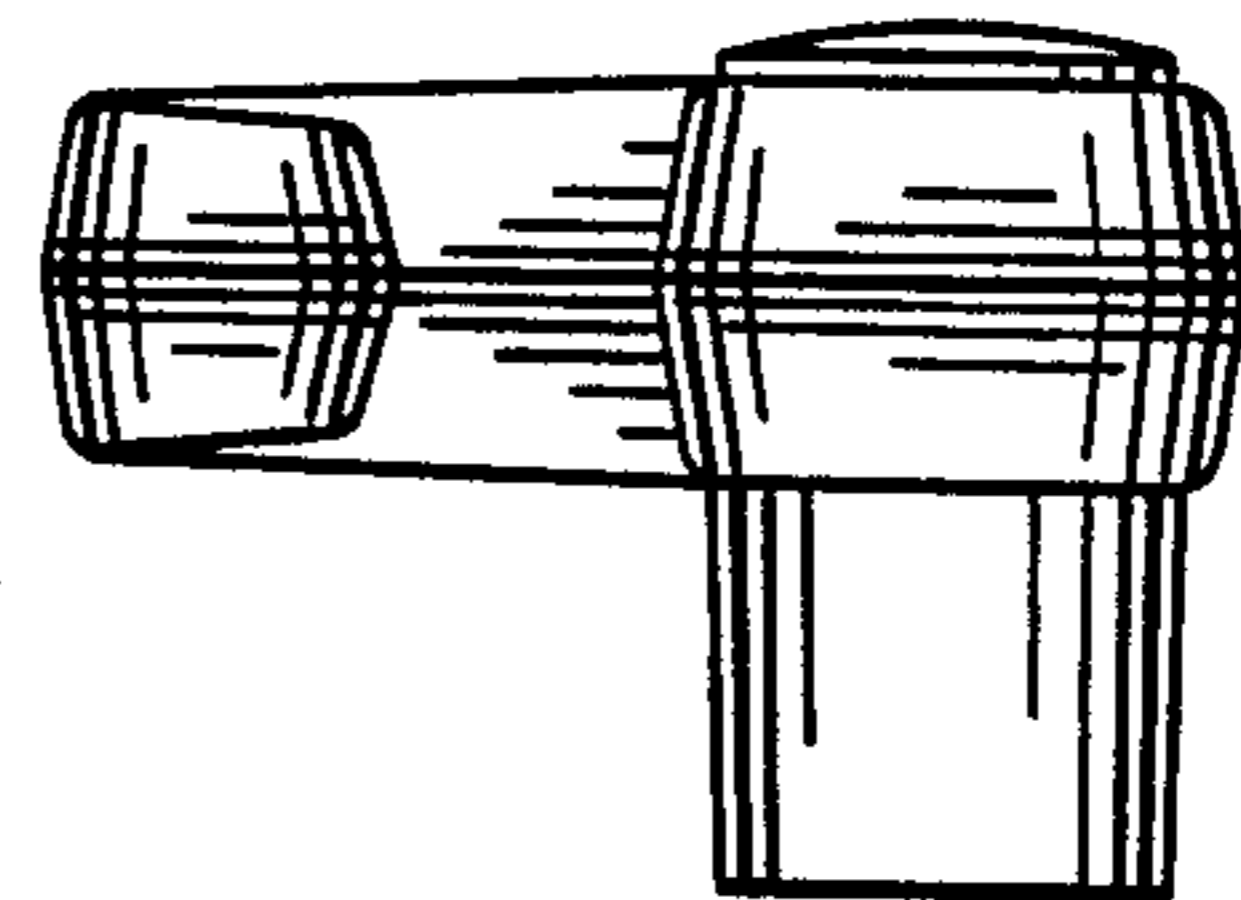


FIG. 5.



FIG. 6.

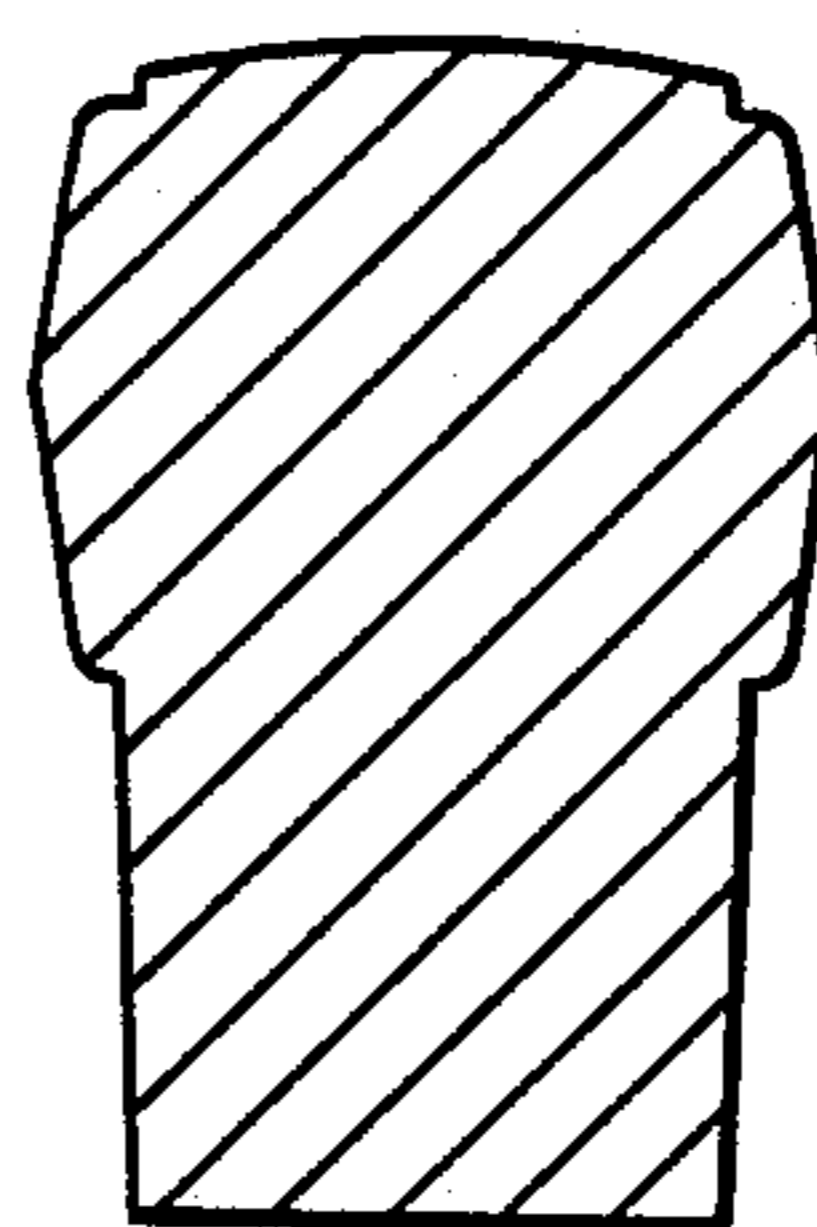


FIG. 7.

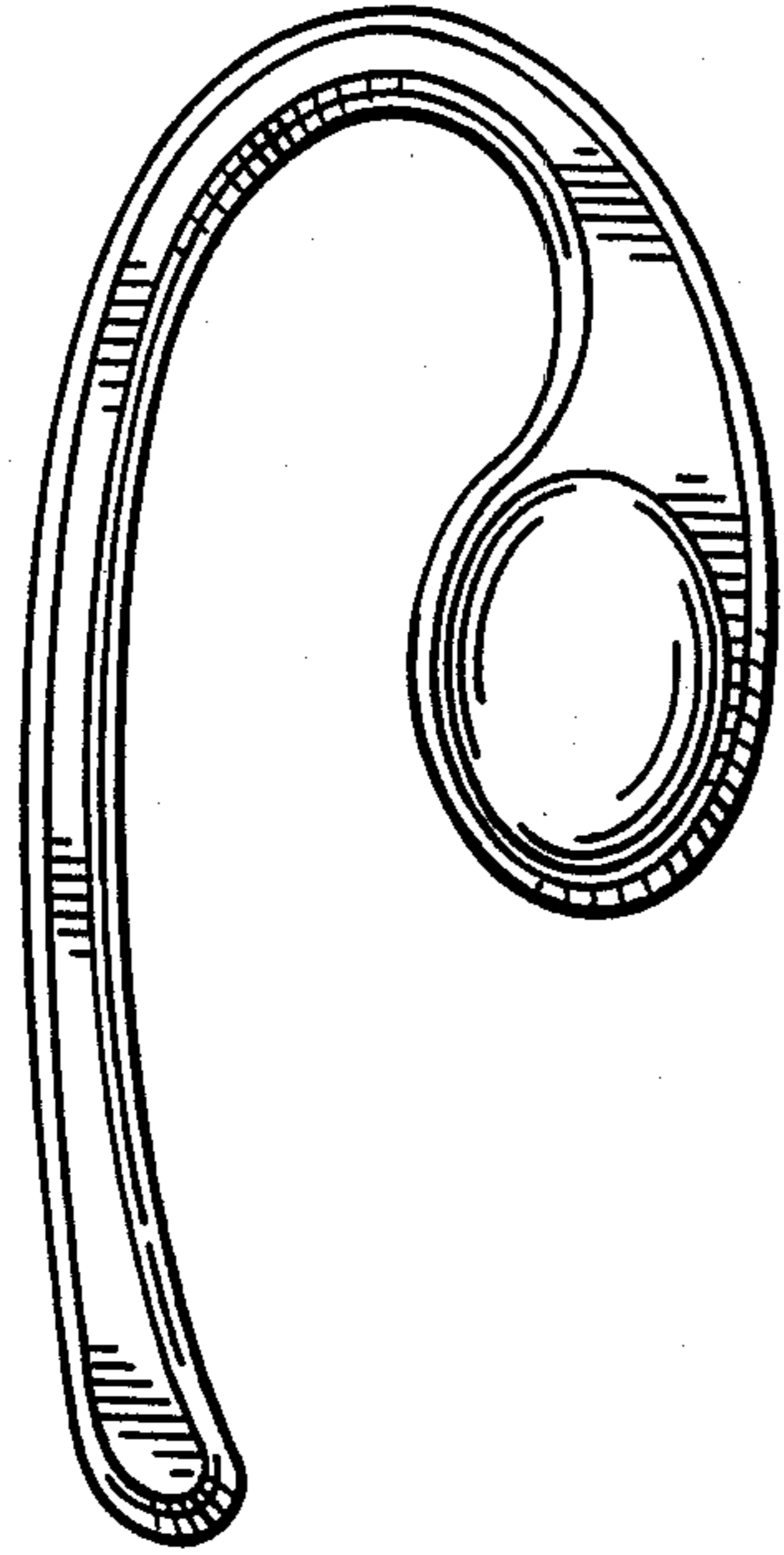


FIG. 8.

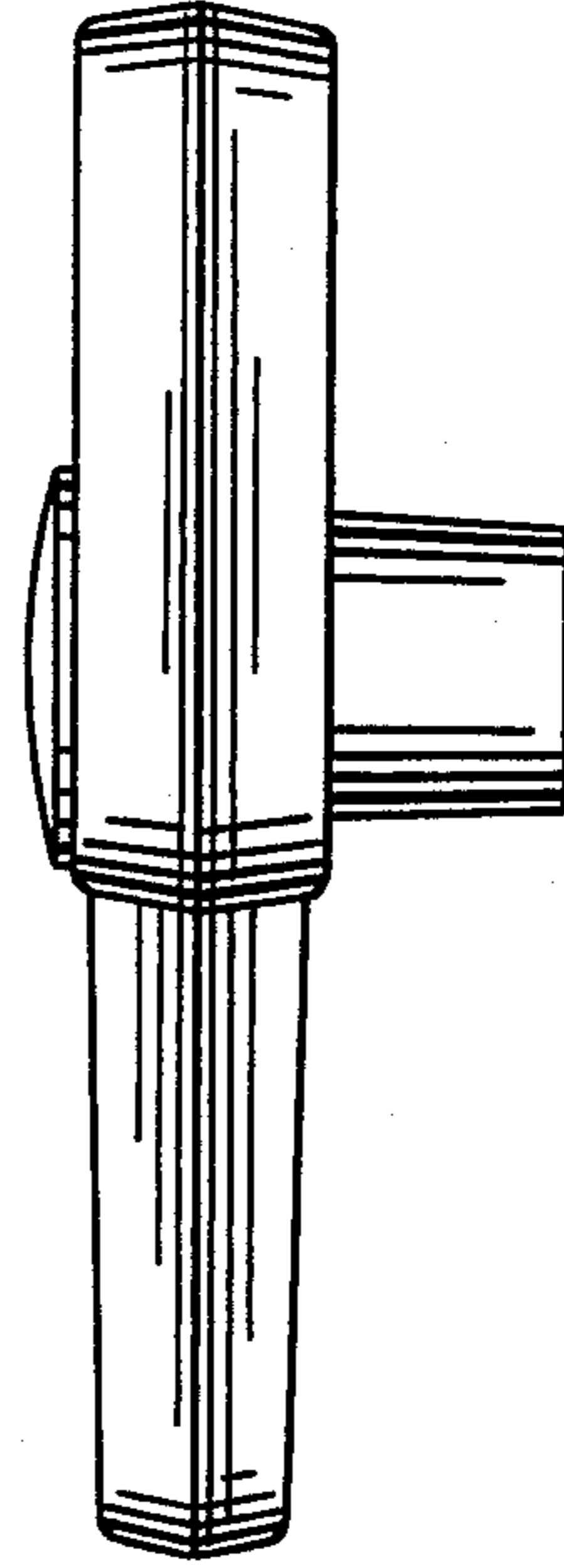


FIG. 9.