

[54] **CORDLESS DRIVER DRILL**

- [75] **Inventors:** Fusao Fushiya; Michio Okumura,
both of Anjo, Japan
- [73] **Assignee:** Makita Electric Works, Ltd., Anjo,
Japan
- [**] **Term:** 14 Years
- [21] **Appl. No.:** 25,084
- [22] **Filed:** Mar. 12, 1987

[30] **Foreign Application Priority Data**

- Sep. 16, 1986 [JP] Japan 61-36440
- [52] **U.S. Cl.** D8/68
- [58] **Field of Search** D8/61, 68; 81/54, 57.11,
81/57.14, 429; 173/163, 170; 408/124, 125, 127;
310/50

[56] **References Cited**

U.S. PATENT DOCUMENTS

- D. 279,957 8/1985 Akazawa et al. D8/68
2,349,401 5/1944 Beckwith 173/163
3,213,303 10/1965 Riley, Jr. et al. 310/50

OTHER PUBLICATIONS

D.I.Y. Retailing 8-1986, p. 10, Ryobi Drill.
D.I.Y. Retailing 8-1988, p. 122 Skil Driver Drill #2235.
Japanese Design Pat. #536433, 5-30-80.
Japanese Catalog printed 1-1986 Drill, #6070DW
(Makita).
Makita Catalog printed 4-1986, Drill #6070DW.
Japanese Design Appl. Ser. #61-12274, filed 4-3-86.

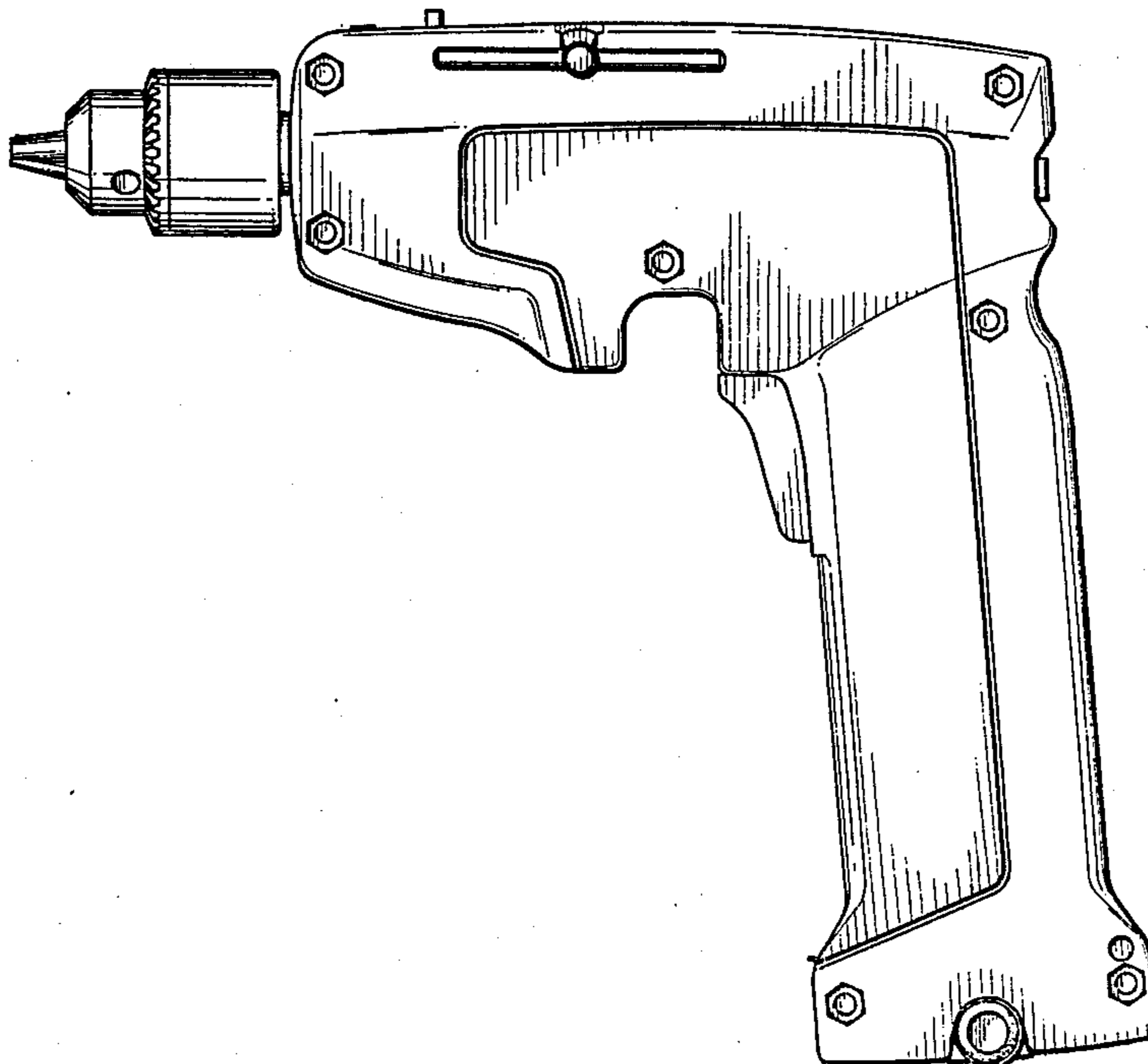
Primary Examiner—Wallace R. Burke
Assistant Examiner—Clare E. Heflin
Attorney, Agent, or Firm—Dennison, Meserole, Pollack
& Scheiner

[57] **CLAIM**

The ornamental design for a cordless driver drill, as shown and described.

DESCRIPTION

FIG. 1 is a perspective view of a cordless driver drill showing our new design;
FIG. 2 is a front elevational view thereof;
FIG. 3 is a rear elevational view thereof;
FIG. 4 is a side elevational view thereof taken from the right side of FIG. 2;
FIG. 5 is a side elevational view thereof taken from the left side of FIG. 2;
FIG. 6 is a top plan view thereof; and
FIG. 7 is a bottom plan view thereof.



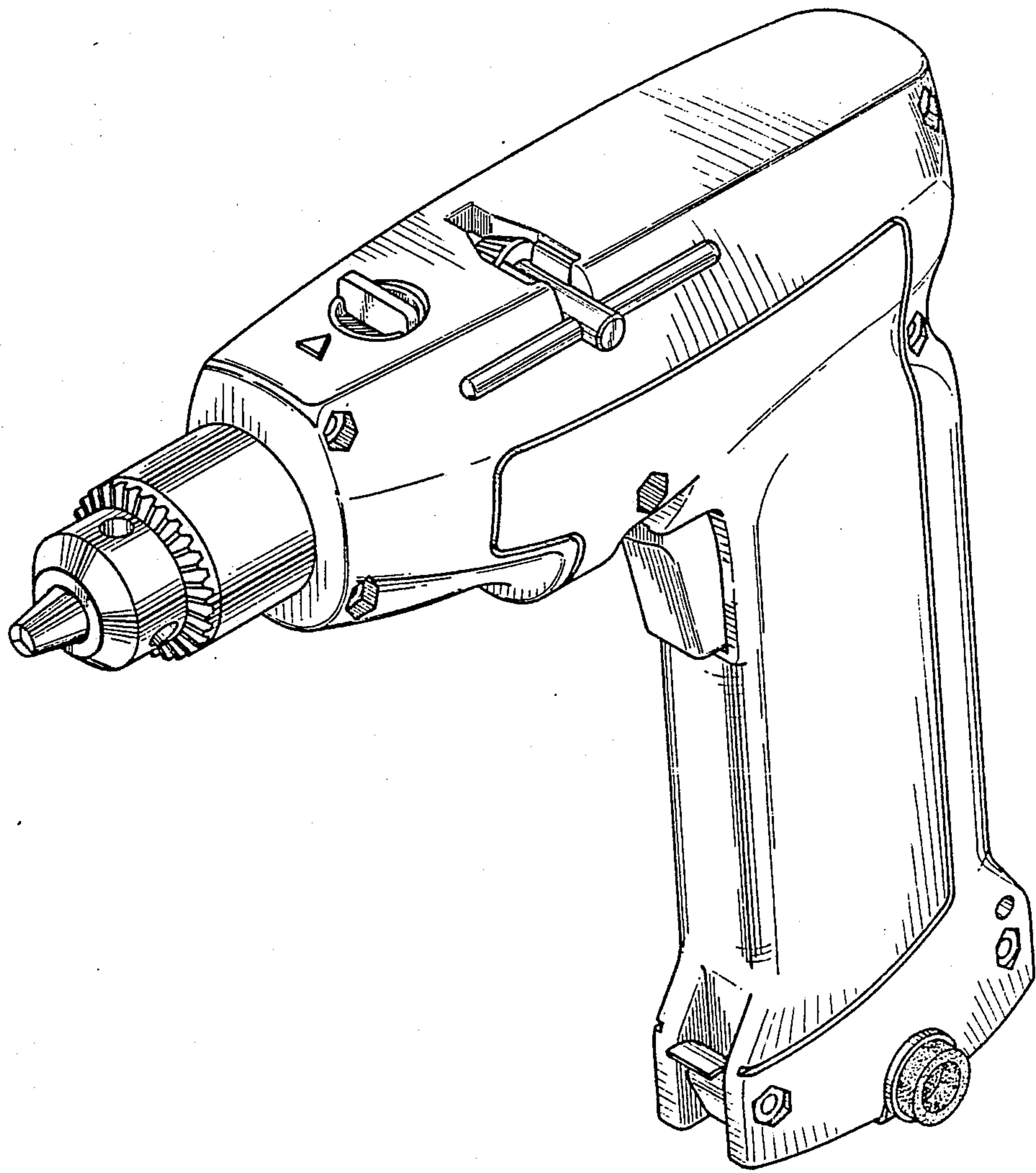


FIG. 1

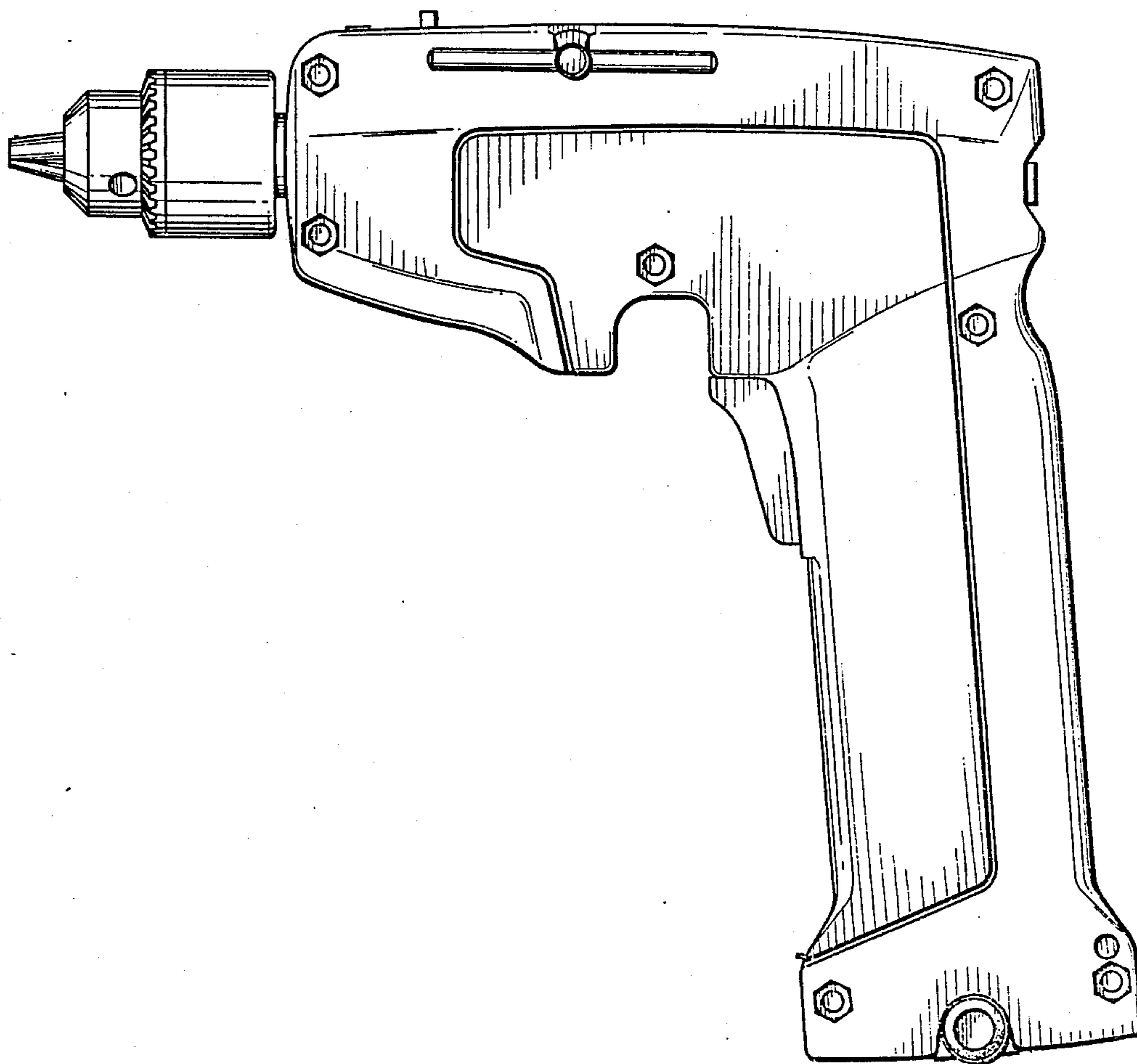


FIG. 2

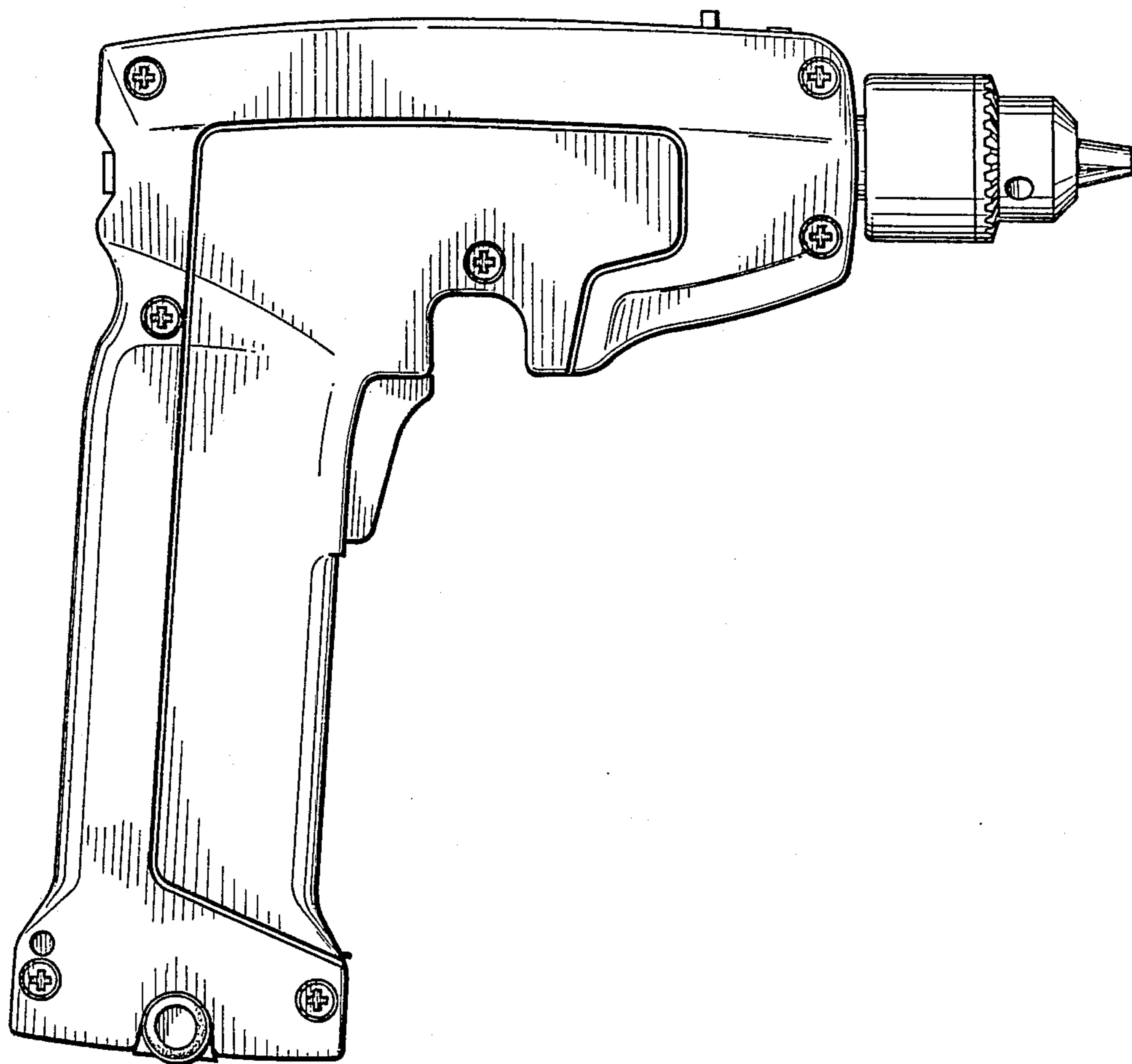


FIG. 3

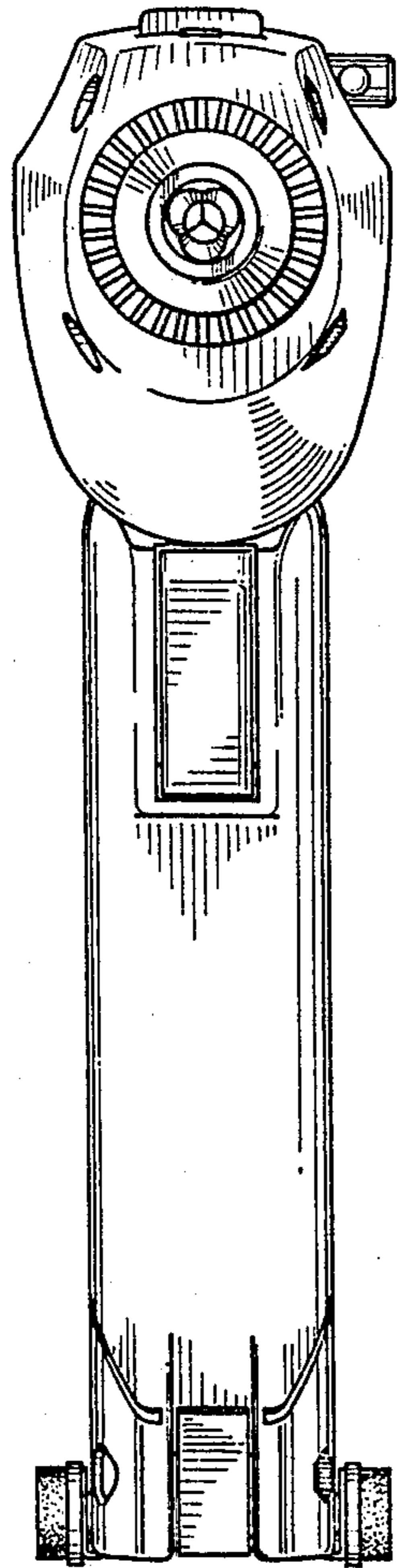


FIG. 4

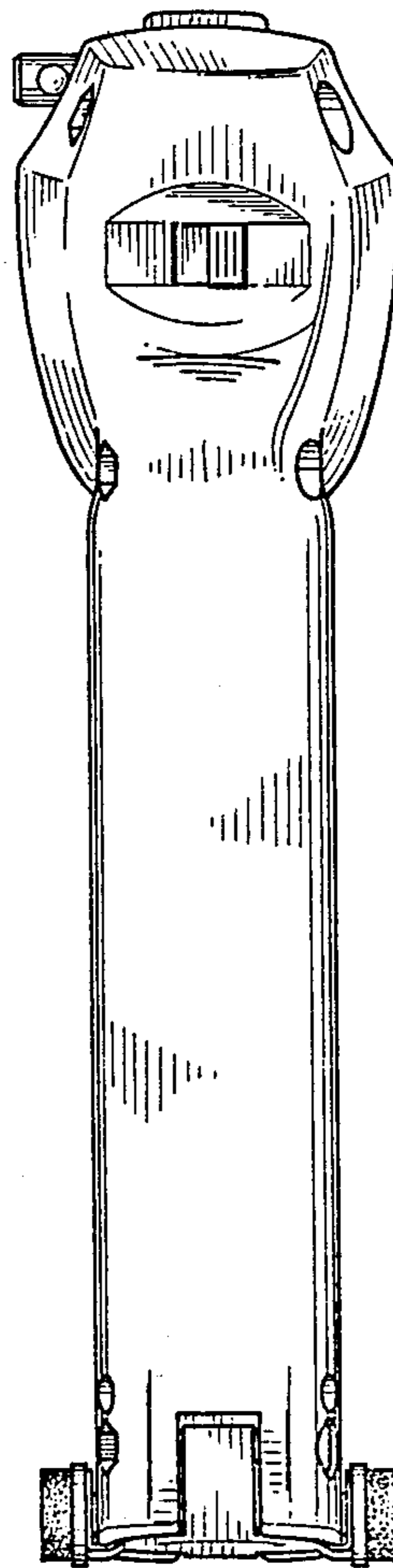


FIG. 5

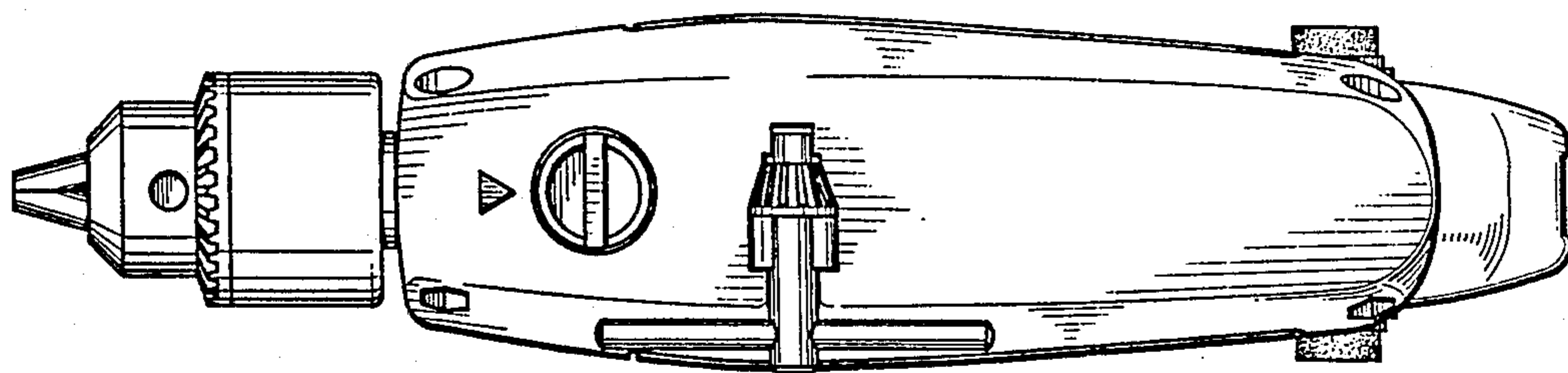


FIG. 6

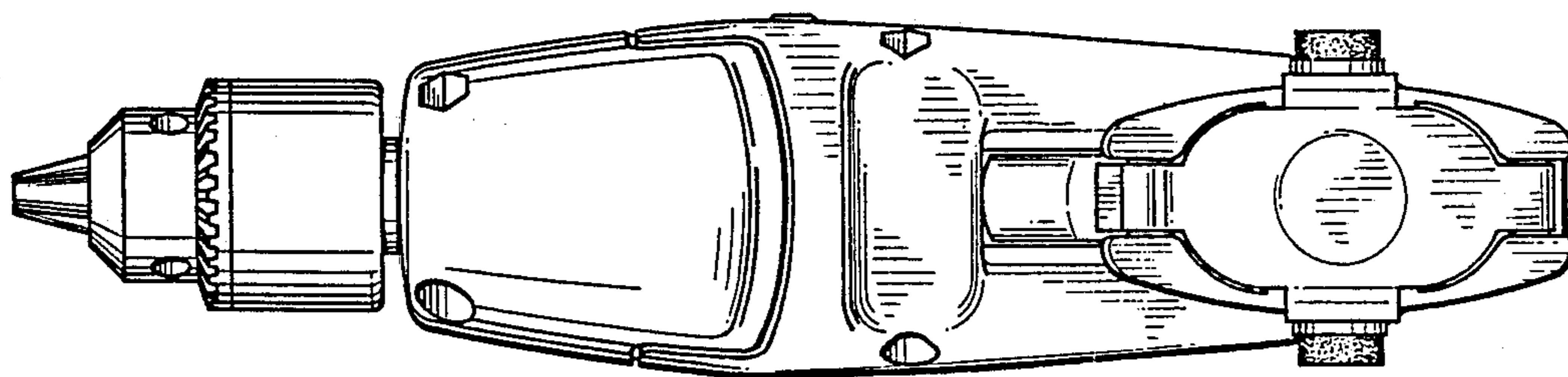


FIG. 7