

United States Patent [19]
Hasegawa et al.

[11] **Patent Number: Des. 300,717**
[45] **Date of Patent: ** Apr. 18, 1989**

[54] **CORDLESS ELECTRIC DRILL**

[75] **Inventors: Hideaki Hasegawa; Yoshihiro Yamada, both of Ibaragi, Japan**
[73] **Assignee: Hitachi Koki Co., Ltd., Tokyo, Japan**
[**] **Term: 14 Years**
[21] **Appl. No.: 18,125**
[22] **Filed: Feb. 24, 1987**

[30] **Foreign Application Priority Data**

Aug. 22, 1986 [JP] Japan 61-32967
[52] **U.S. Cl. D8/68**
[58] **Field of Search D8/61, 68; 81/54, 57.11, 81/57.14, 429; 173/163, 170; 310/50; 408/124, 125, 127**

[56] **References Cited**

U.S. PATENT DOCUMENTS
2,636,136 4/1953 Gubbins 173/170

OTHER PUBLICATIONS

W. Bell & Co. 1985 catalog, p. 413, item #2, Black & Decker Cordless Drill.
Hardware Age, Oct. 1986, p. 124, Hitachi Power Tools' Cordless Drill.
D.I. Y. Retailing, Feb. 1988, p. 113, WEN $\frac{3}{8}$ " Cordless Drill.
D.I.Y. Retailing, Aug. 1988, p. 120, Skil Cordless Drill.

Primary Examiner—Wallace R. Burke
Assistant Examiner—Clare E. Heflin
Attorney, Agent, or Firm—Sughrue, Mion, Zinn, Macpeak & Seas

[57] **CLAIM**

The ornamental design for a cordless electric drill, as shown and described.

DESCRIPTION

FIG. 1 is a front, top and right side perspective view of a cordless electric drill showing our new design.
FIG. 2 is a right side elevational view thereof;
FIG. 3 is a top plan view thereof;
FIG. 4 is a left side elevational view thereof;
FIG. 5 is a bottom plan view thereof;
FIG. 6 is a front elevational view thereof;
FIG. 7 is a rear elevational view thereof.

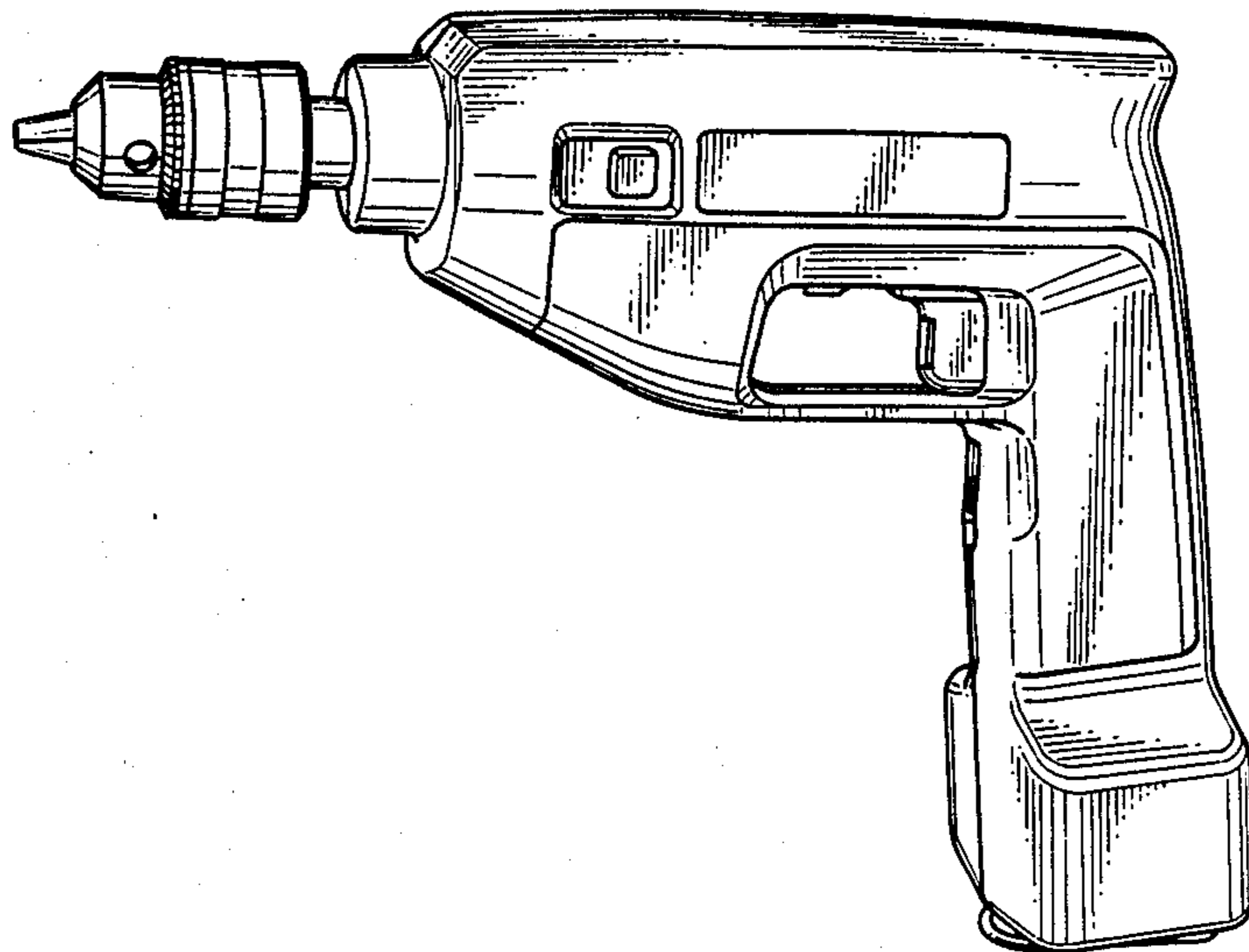


Fig. 1

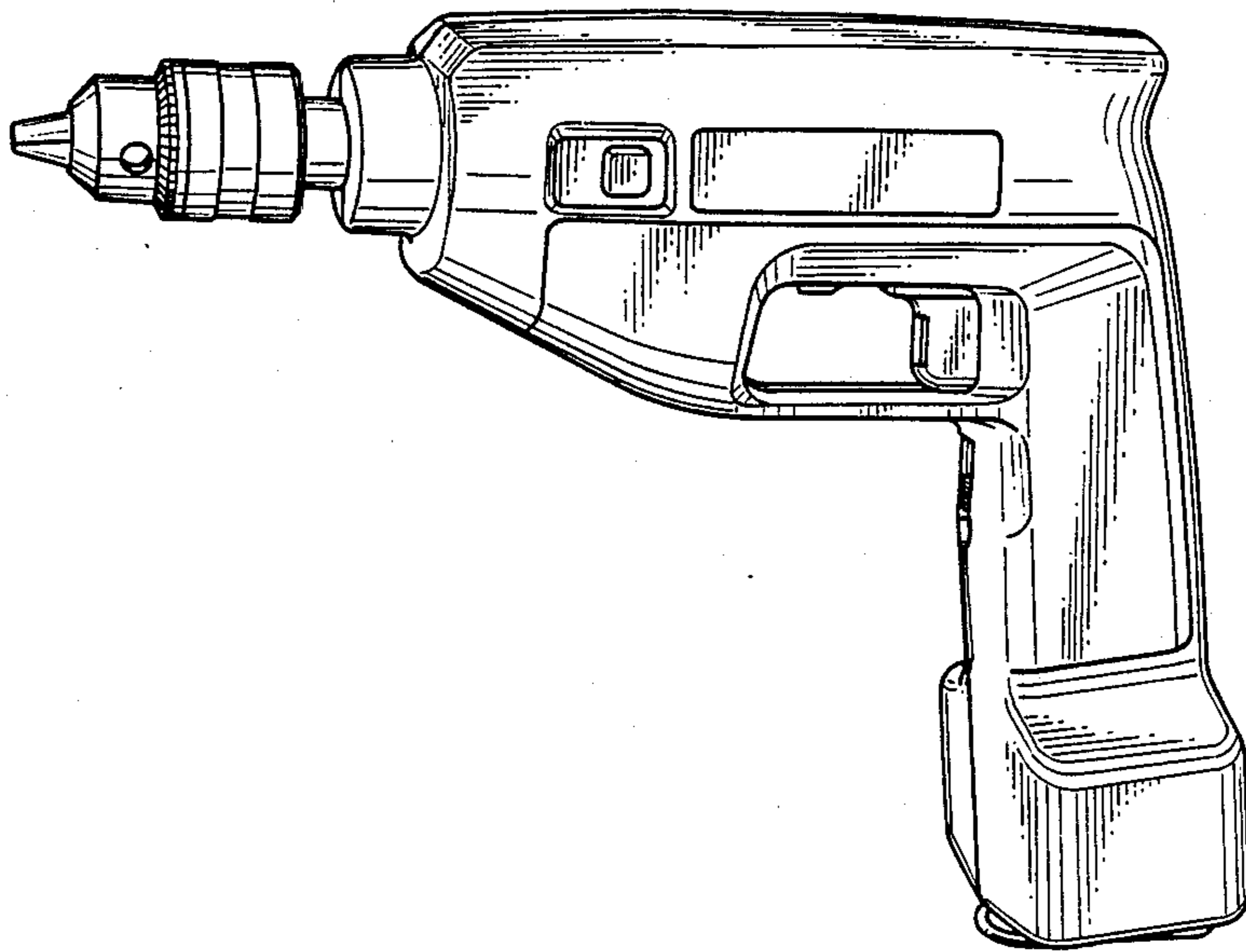


Fig. 2

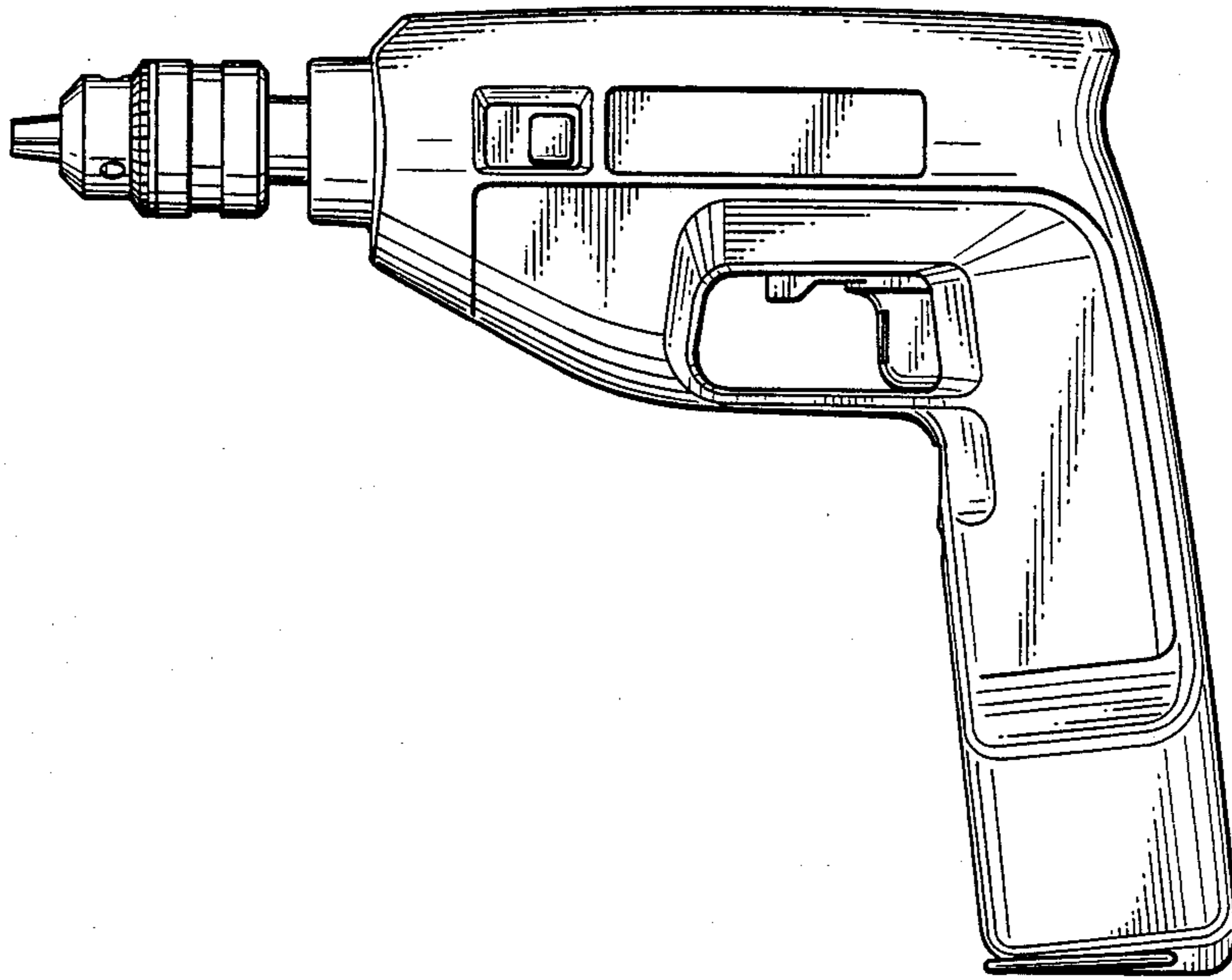


Fig. 3

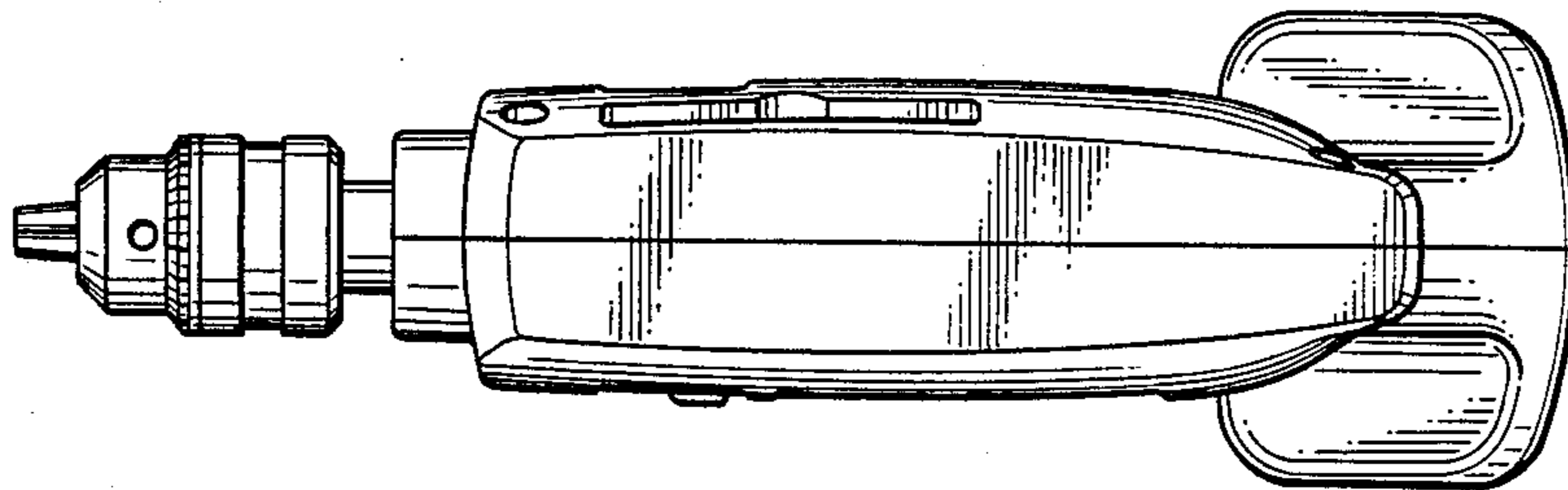


Fig. 4

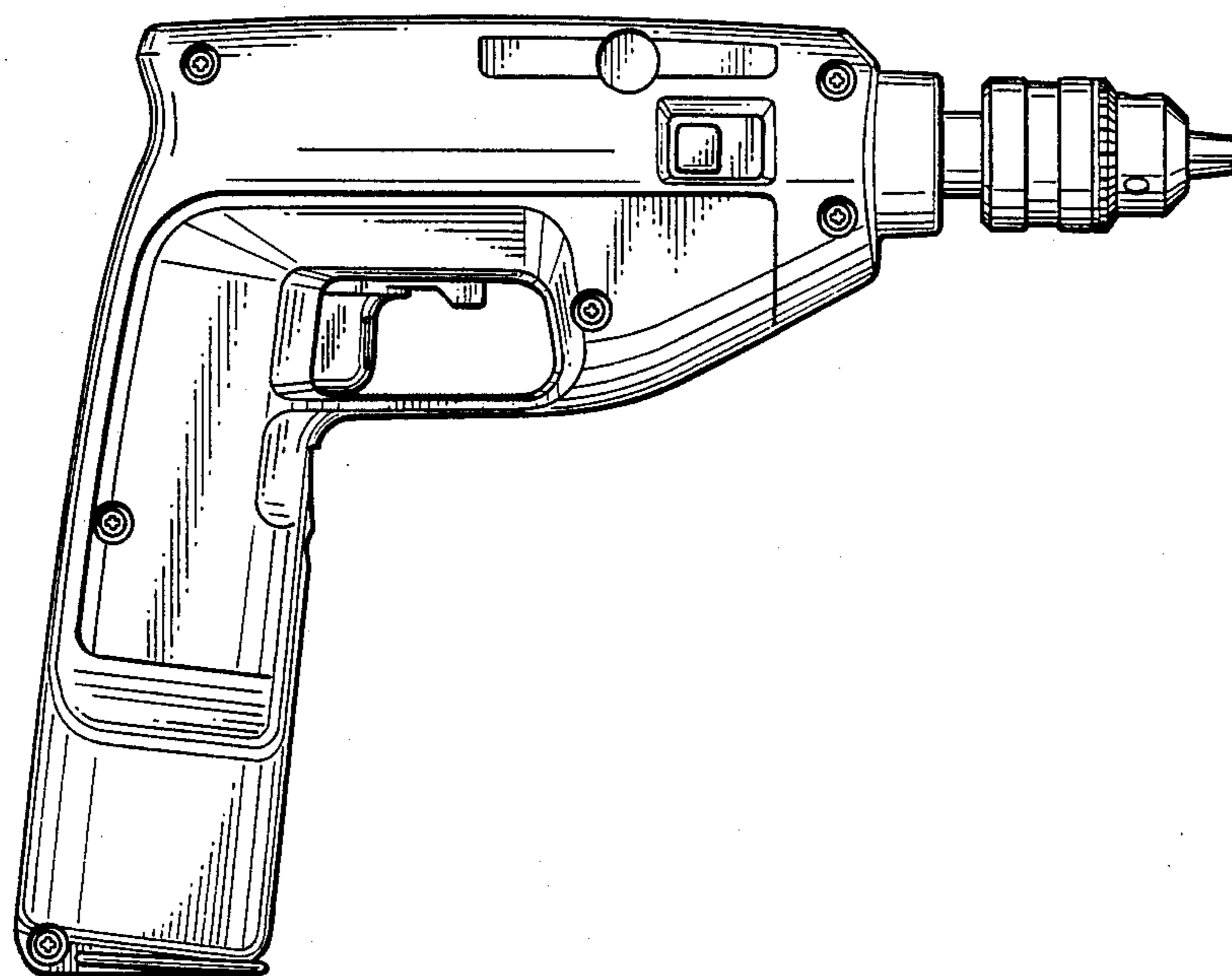


Fig. 5

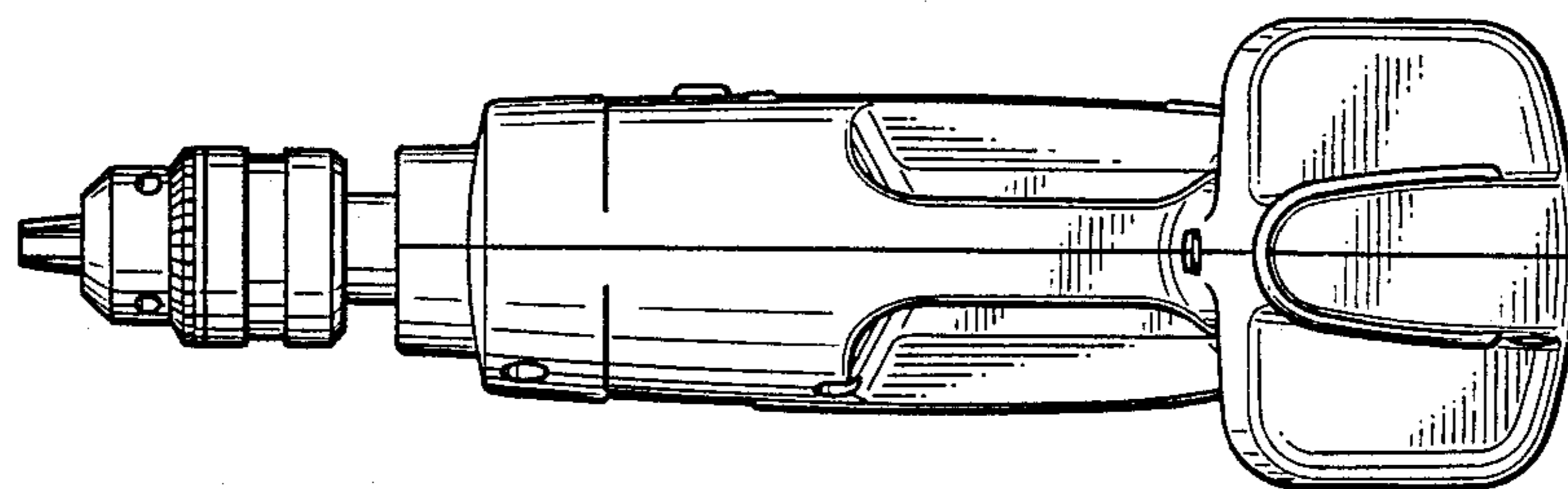


Fig. 6

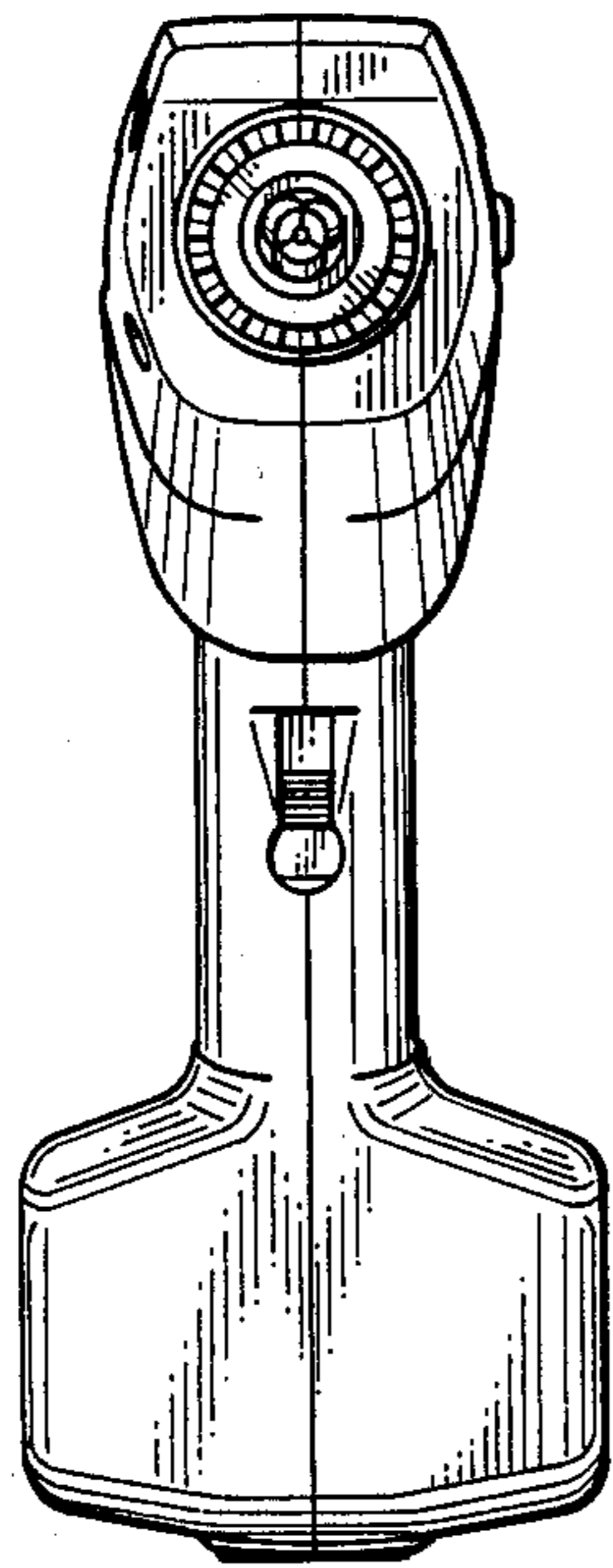


Fig. 7

