

United States Patent [19]

Lambert

[11] Patent Number: Des. 300,712

[45] Date of Patent: ** Apr. 18, 1989

[54] REMOVEABLE PROTECTIVE COVER TRAY FOR A HOT DRINK DISPENSER

[75] Inventor: Pol F. Lambert, Milton Malsor, United Kingdom

[73] Assignee: Vortan International Holding N.V., Curacao, Netherlands Antilles

[**] Term: 14 Years

[21] Appl. No.: 803,990

[22] Filed: Nov. 8, 1985

[30] Foreign Application Priority Data

May 10, 1985 [WO] World Int. Prop. O. DM/005239

[52] U.S. Cl. D7/397; D7/300; D7/309; D7/406

[58] Field of Search D7/300, 309, 388, 397, D7/399, 402, 403, 406; 222/129.1, 129.2, 129.3, 129.4

[56] References Cited

U.S. PATENT DOCUMENTS

D. 41,498 6/1911 Wilbur D7/406 X

D. 105,578 8/1937 Fleming D7/406
D. 133,486 8/1942 Russell D7/406 X
D. 293,759 1/1988 Balisteri D7/300 X
4,478,139 10/1984 Zimmerman D7/309 X
4,640,483 2/1987 Tufte D7/397 X
4,699,342 10/1987 Bartz et al. D7/397 X

Primary Examiner—Carmen H. Vales

Attorney, Agent, or Firm—Panitch, Schwarze, Jacobs & Nadel

[57] CLAIM

The ornamental design for a removeable protective cover tray for a hot drink dispenser, as shown and described.

DESCRIPTION

FIG. 1 is a perspective view of a removeable protective cover tray for a hot drink dispenser showing my new design;

FIG. 2 is a top plan view;

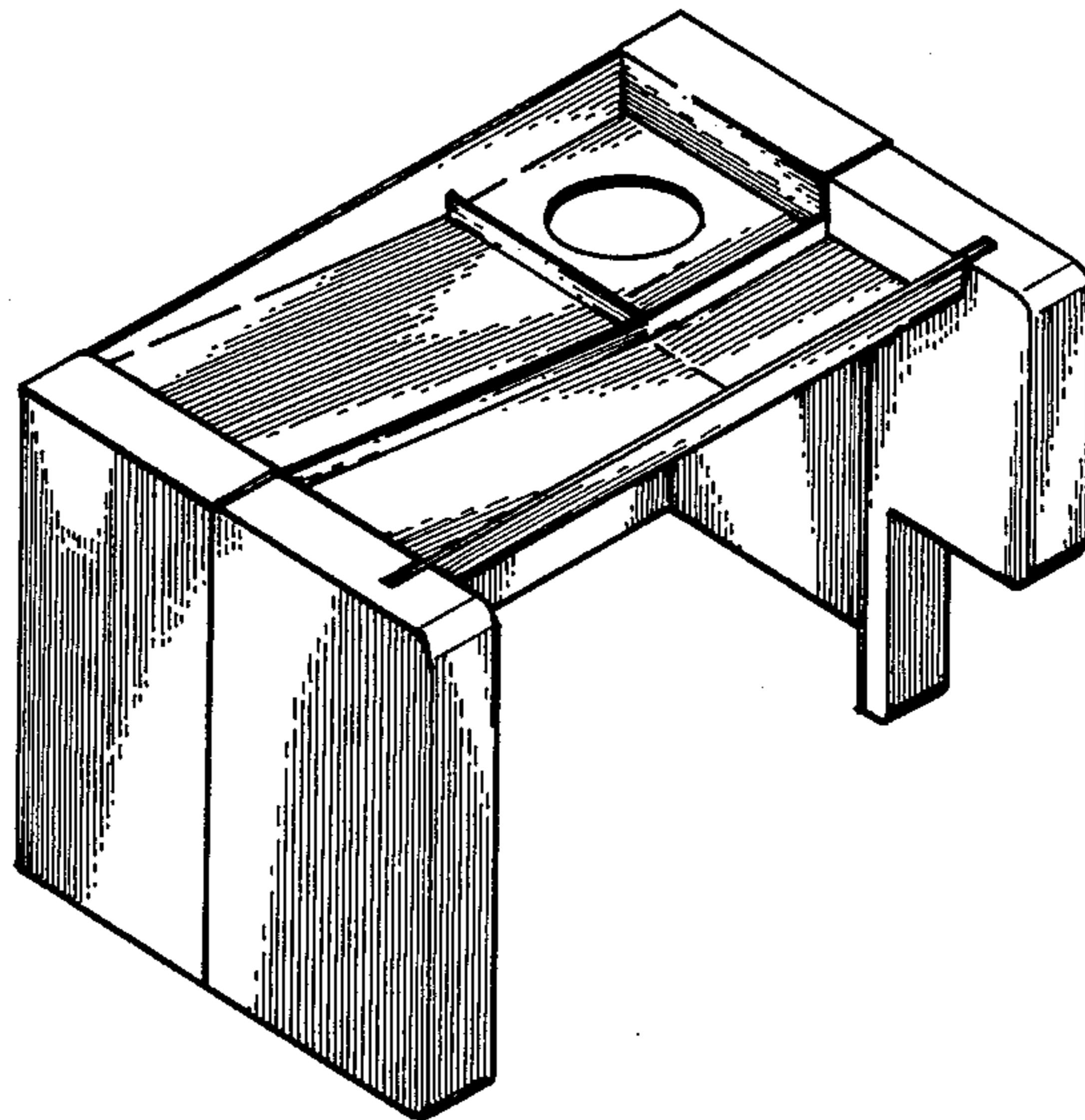
FIG. 3 is a bottom plan view;

FIG. 4 is a left side elevational view;

FIG. 5 is a right side elevational view;

FIG. 6 is a front elevational view; and

FIG. 7 is a rear elevational view thereof.



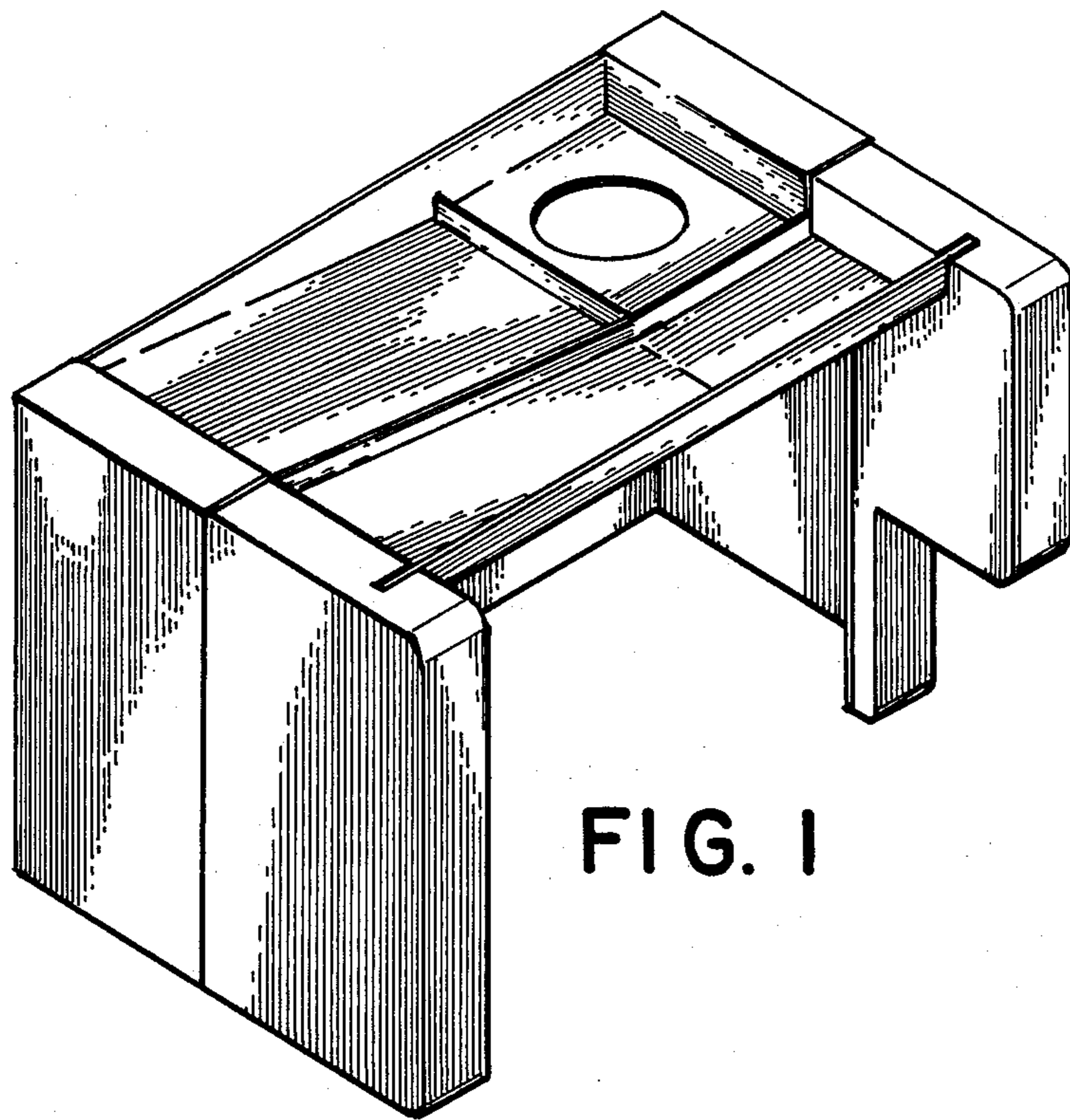


FIG. 1

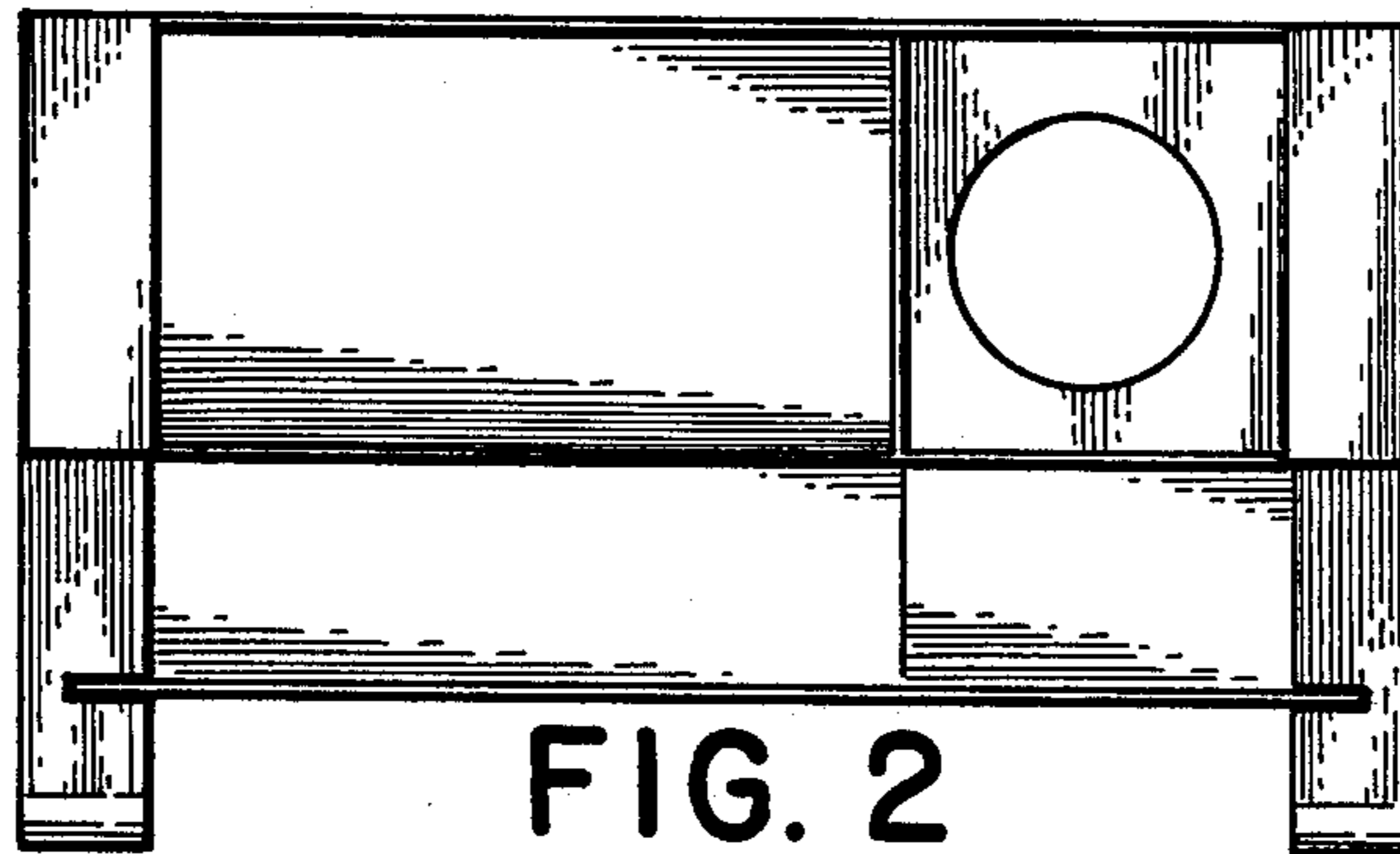


FIG. 2

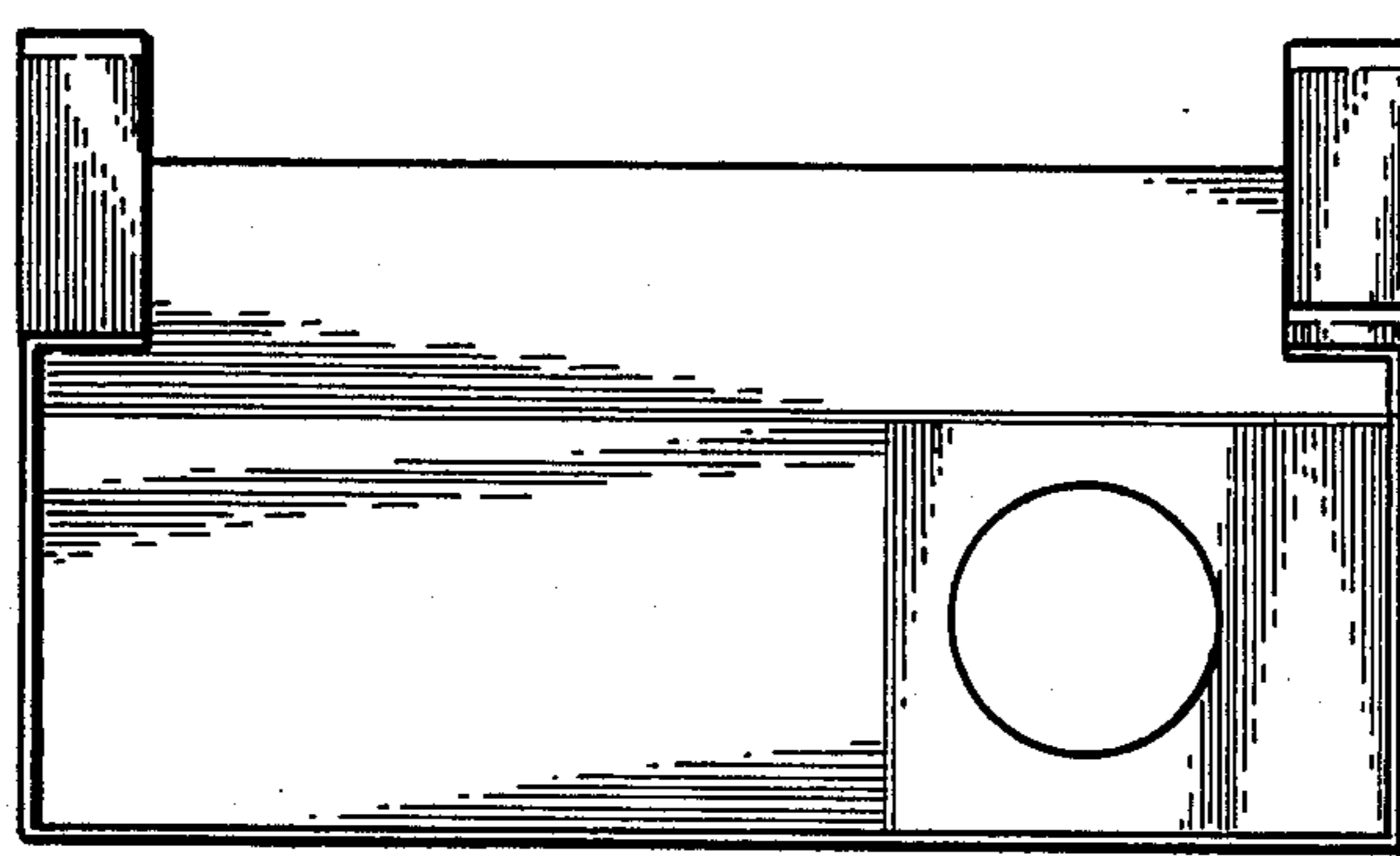


FIG. 3

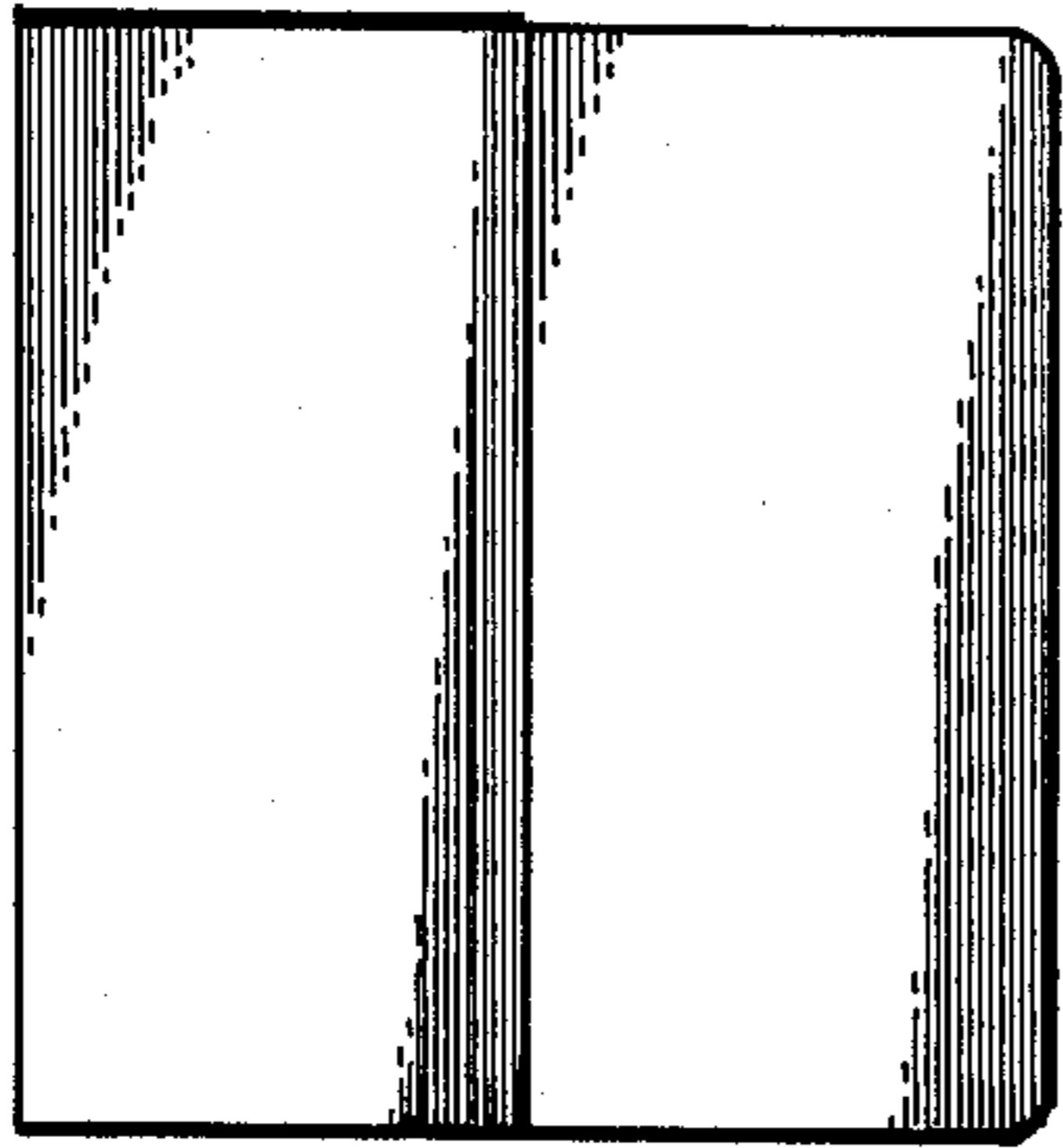


FIG. 4

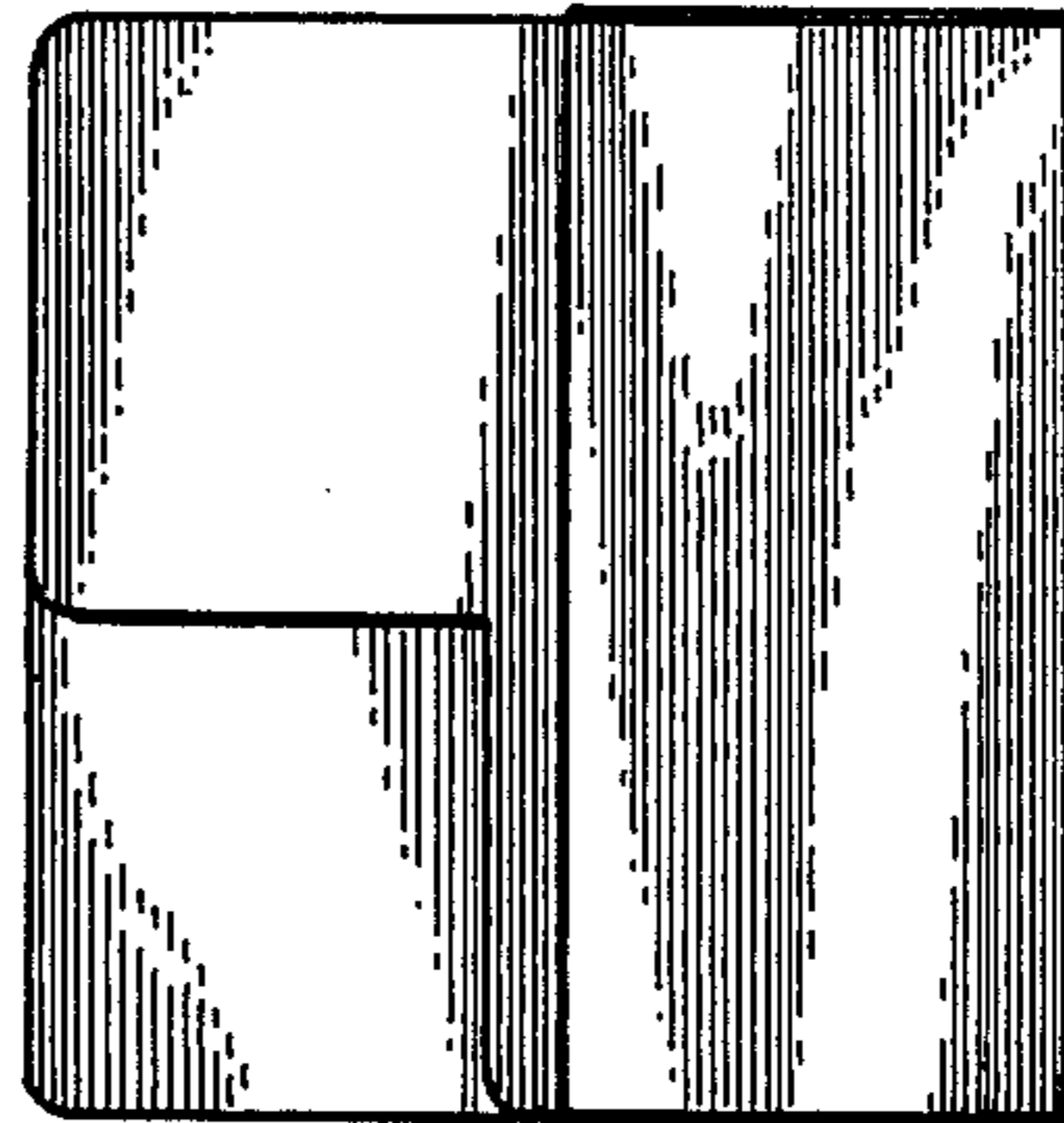


FIG. 5

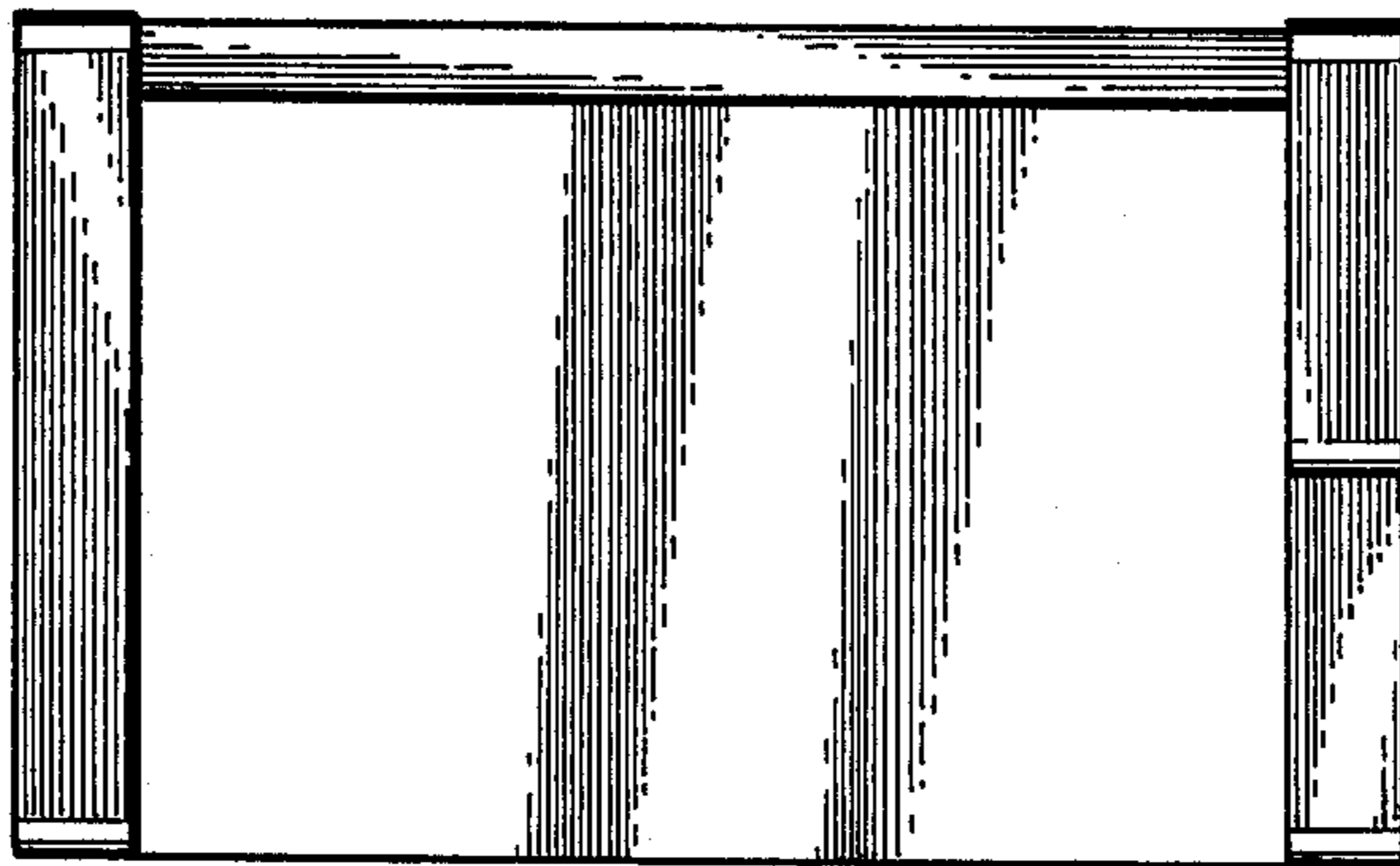


FIG. 6

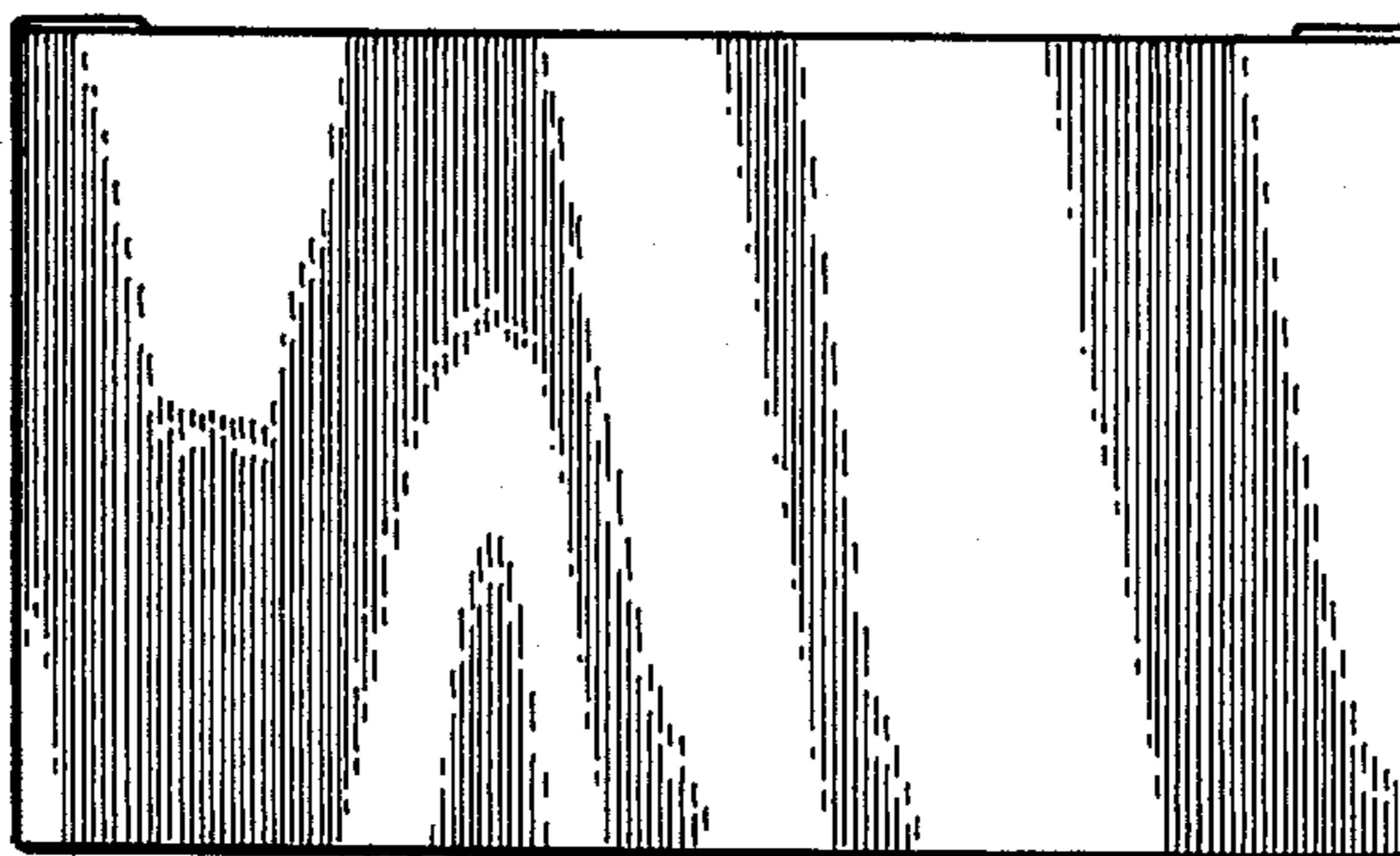


FIG. 7