

# United States Patent [19]

Moritani

[11] Patent Number: Des. 300,711

[45] Date of Patent: \*\* Apr. 18, 1989

[54] COMBINED MICROWAVE OVEN AND ELECTRIC OVEN

[75] Inventor: Hiroshi Moritani, Osaka, Japan

[73] Assignee: Sharp Corporation, Osaka, Japan

[\*\*] Term: 14 Years

[21] Appl. No.: 11,138

[22] Filed: Feb. 5, 1987

[30] Foreign Application Priority Data

Aug. 8, 1986 [JP] Japan ..... 61-31281

[52] U.S. Cl. .... D7/351; D7/350

[58] Field of Search ..... D7/350, 351; 219/10.55 R, 10.55 A-10.55 D, 10.55 F

[56] References Cited

### U.S. PATENT DOCUMENTS

D. 190,609 6/1961 Campbell, III ..... D7/350  
D. 241,602 9/1976 Hanson ..... D7/350  
D. 245,470 8/1977 Ernest ..... D7/350

D. 253,271 10/1979 Rakocy ..... D7/350  
D. 296,858 7/1988 Ooki ..... D7/350

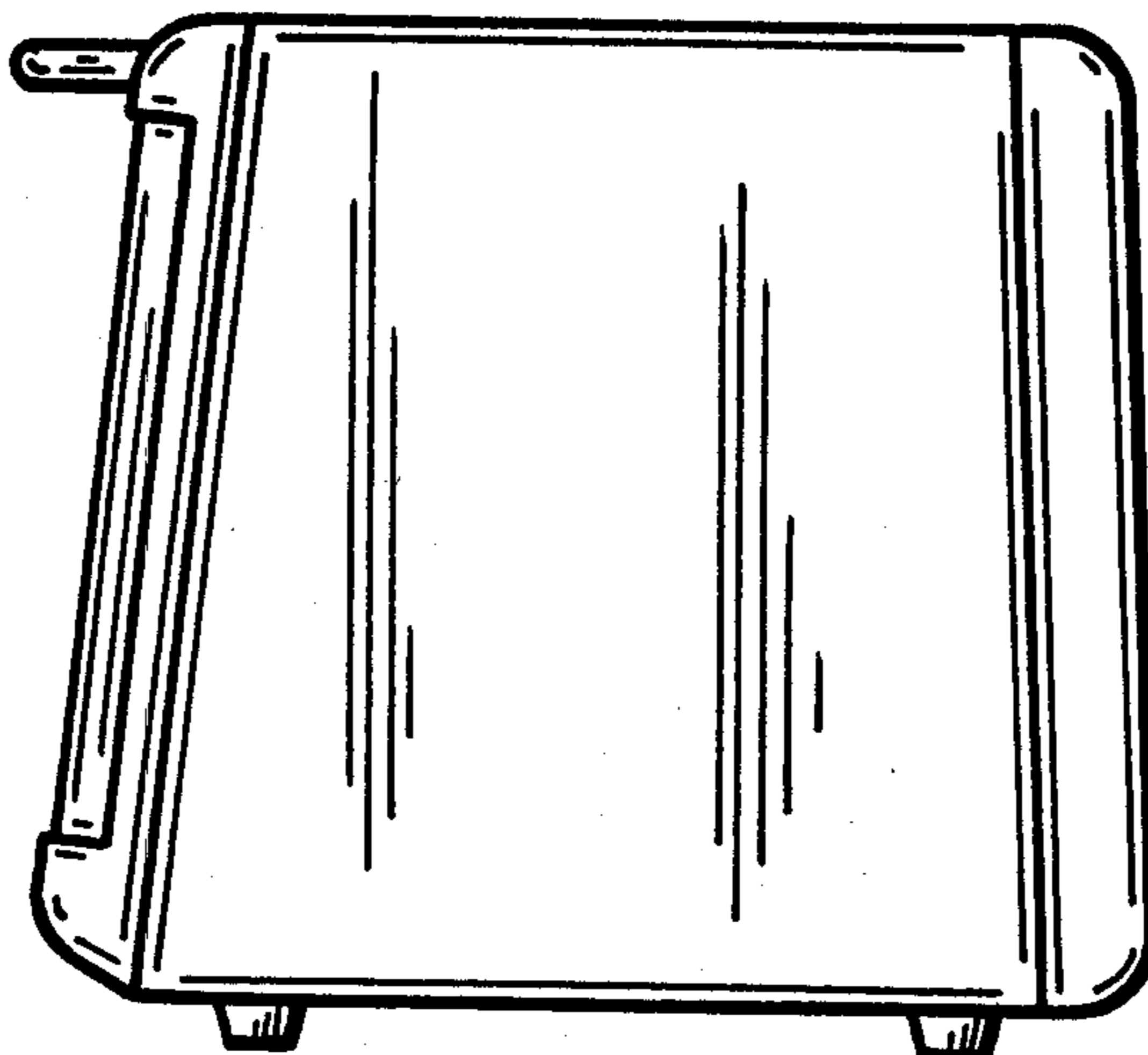
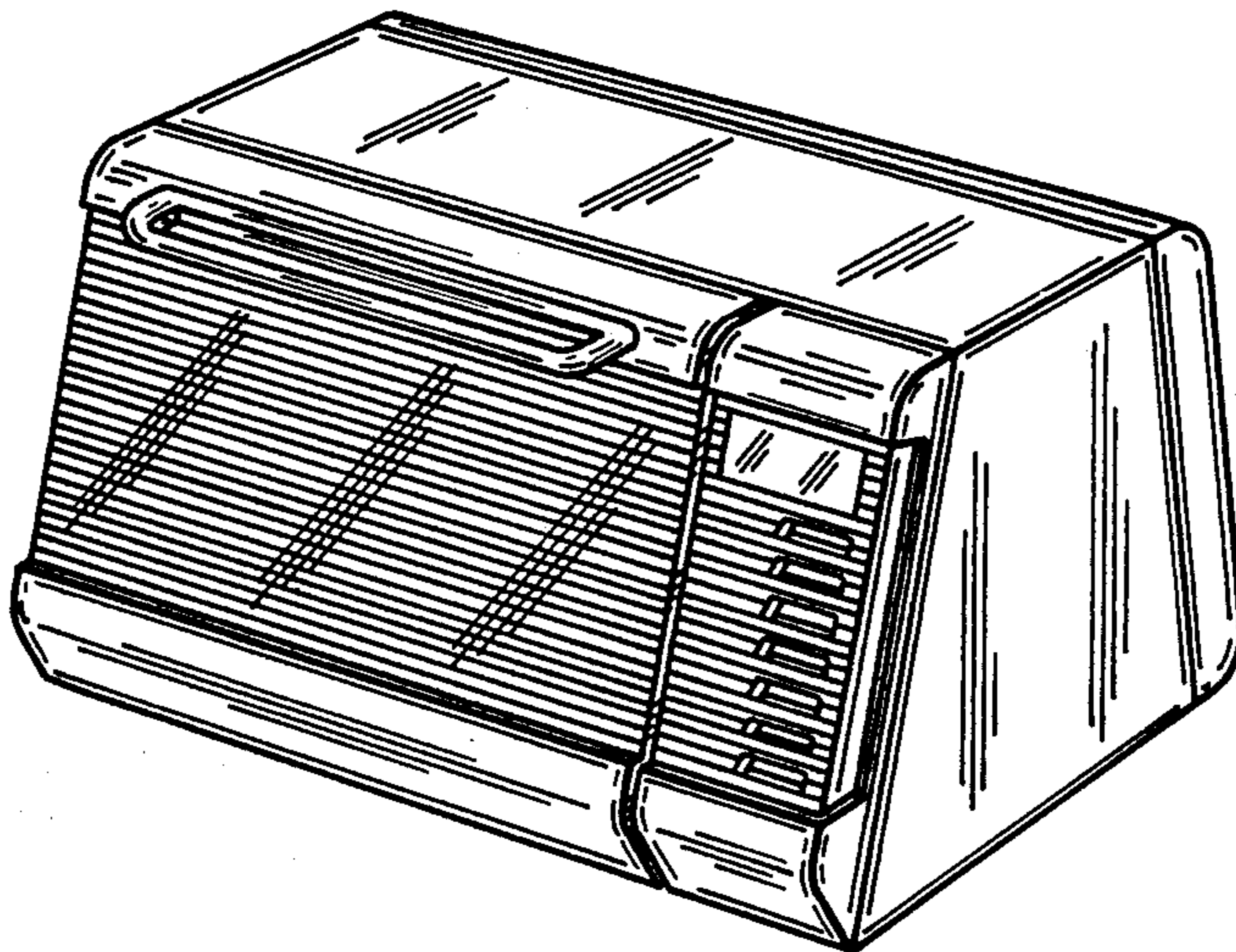
Primary Examiner—Bruce W. Dunkins  
Assistant Examiner—Ruth Takemoto  
Attorney, Agent, or Firm—Flehr, Hohbach, Test, Albritton & Herbert

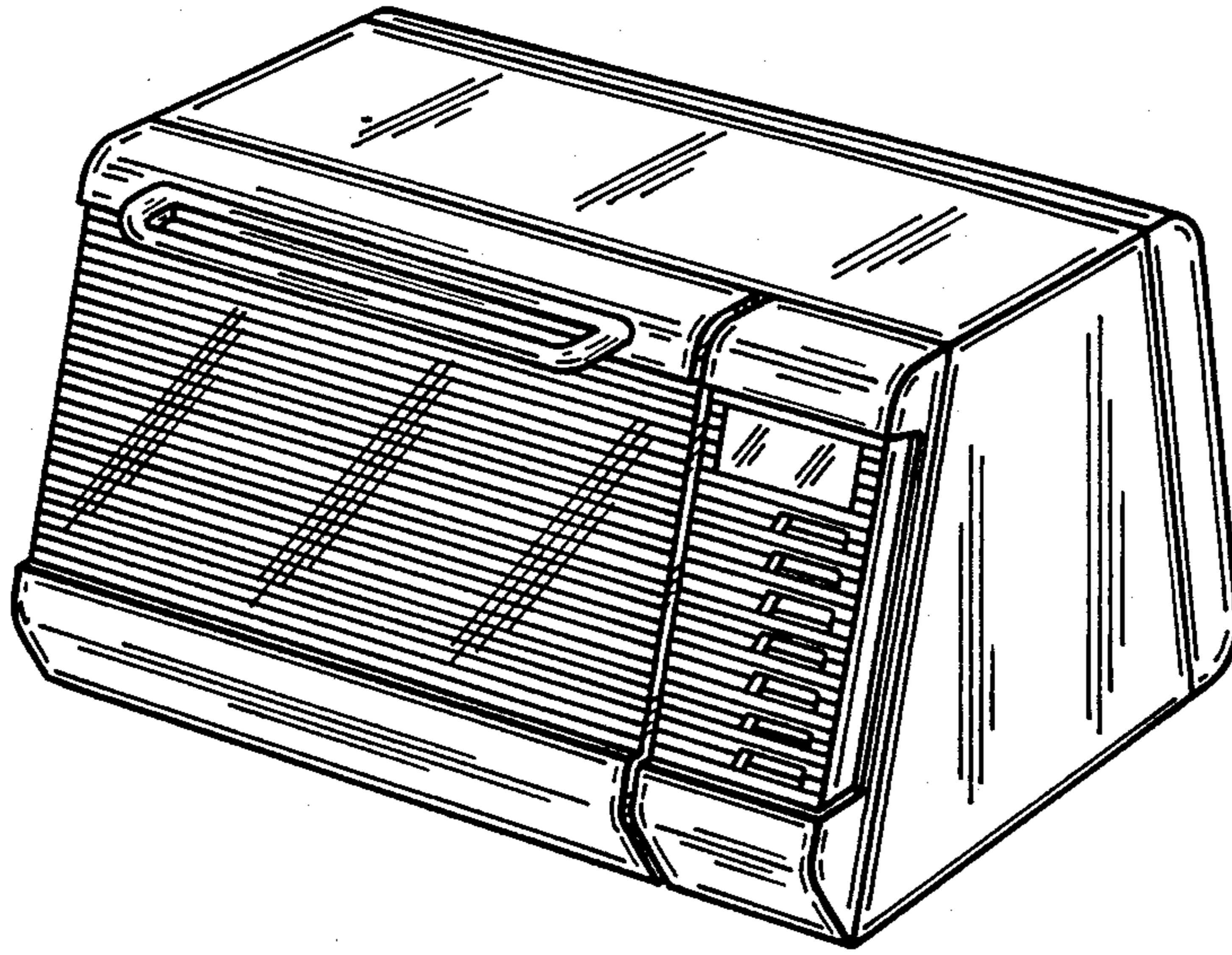
[57] CLAIM

The ornamental design for a combined microwave oven and electric oven, as shown and described.

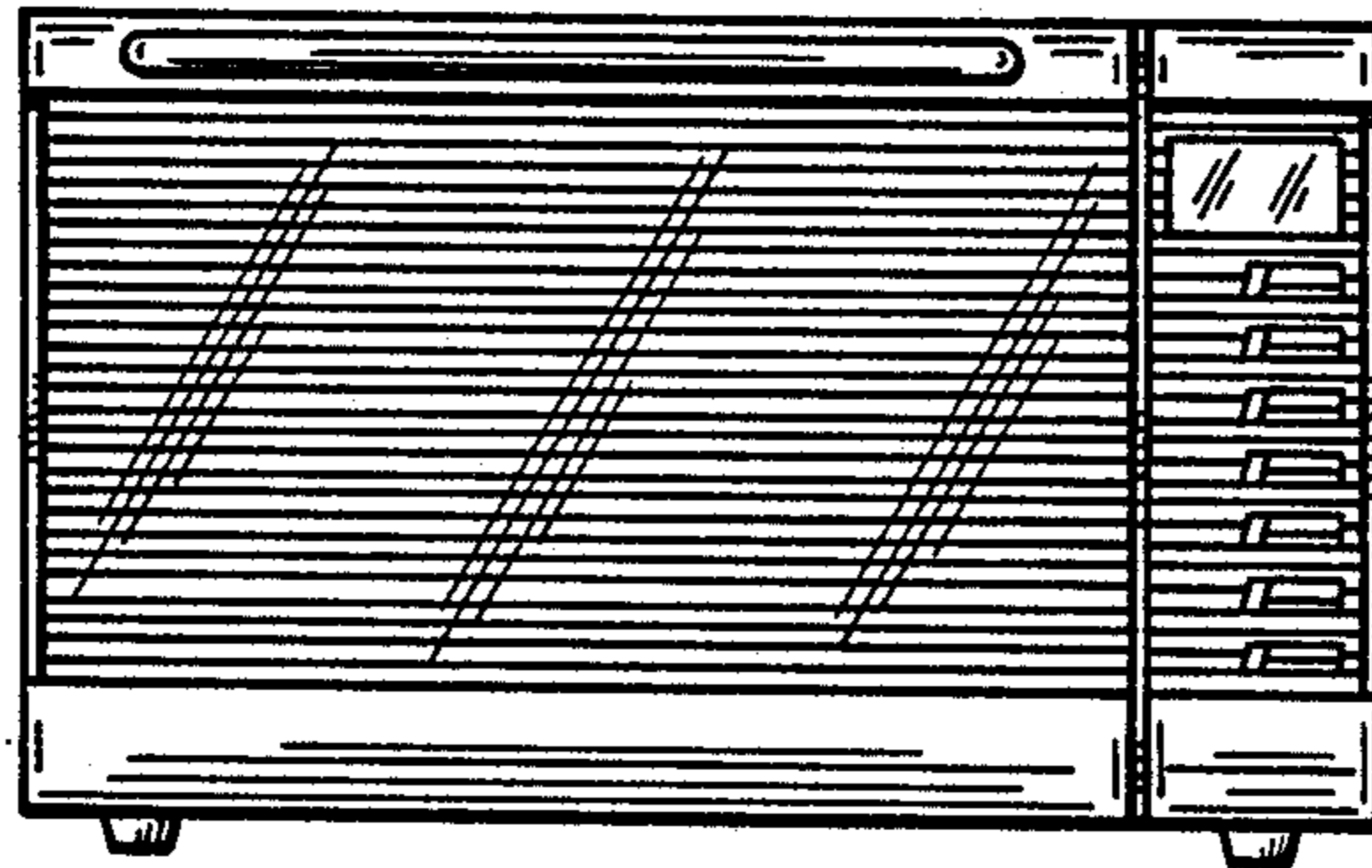
### DESCRIPTION

FIG. 1 is a perspective view of the combined microwave oven and electric oven showing my new design; FIG. 2 is a front elevational view thereof; FIG. 3 is a front elevational view thereof with the oven door open; FIG. 4 is a rear elevational view thereof; FIG. 5 is a top plan view thereof; FIG. 6 is a bottom plan view thereof; FIG. 7 is a right side elevational view thereof; and FIG. 8 is a left side elevational view thereof.

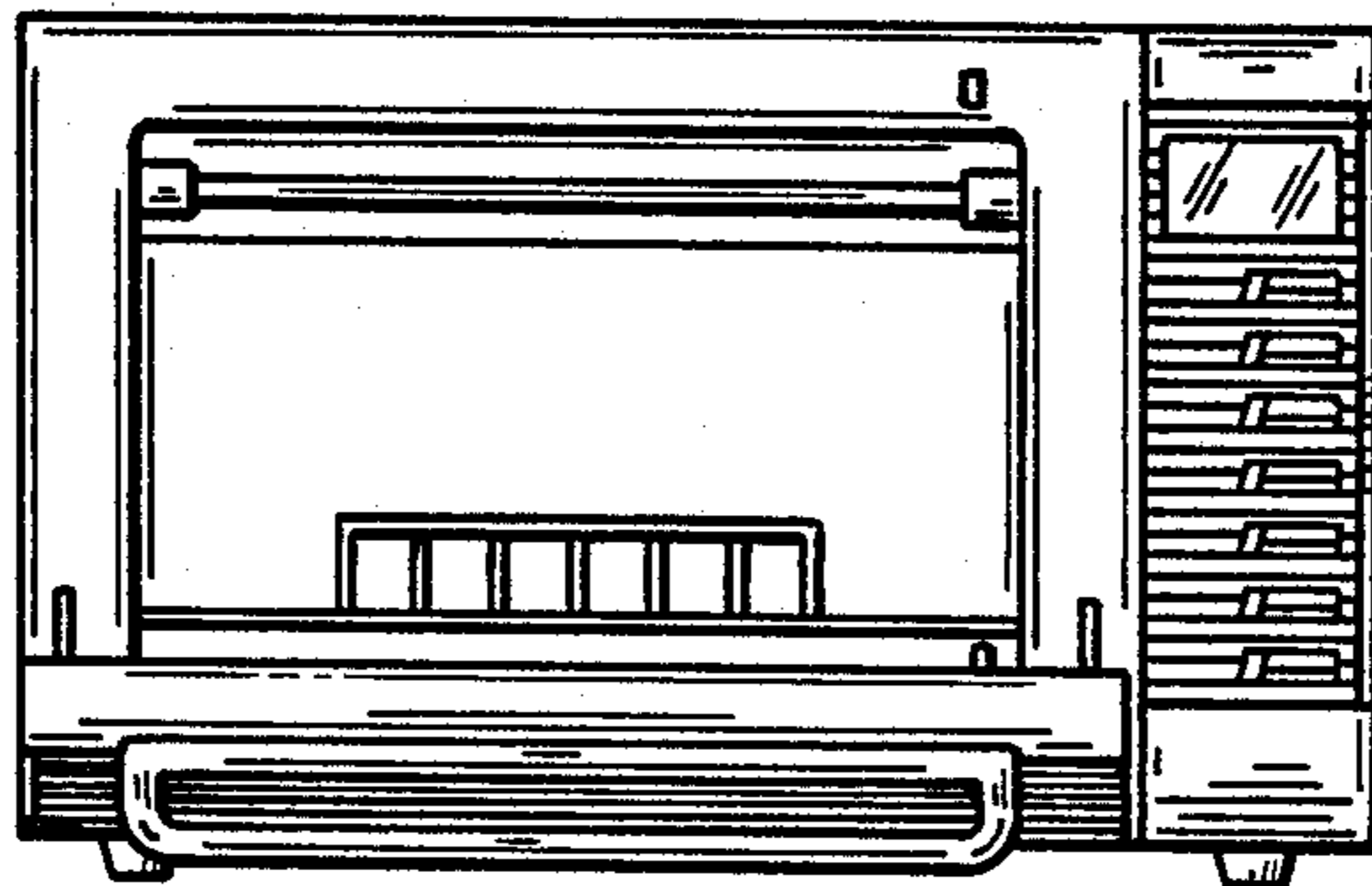




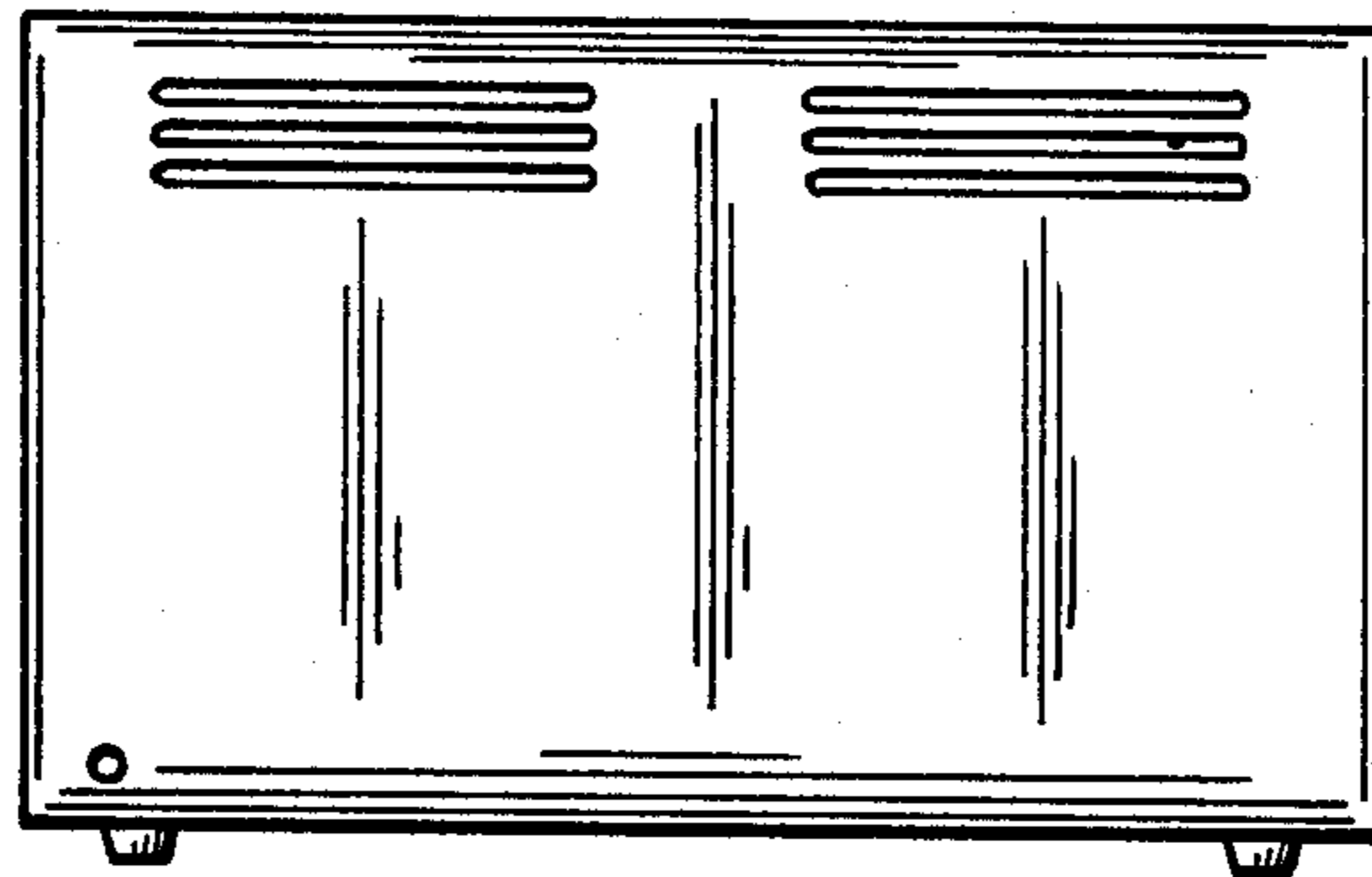
FIG\_1



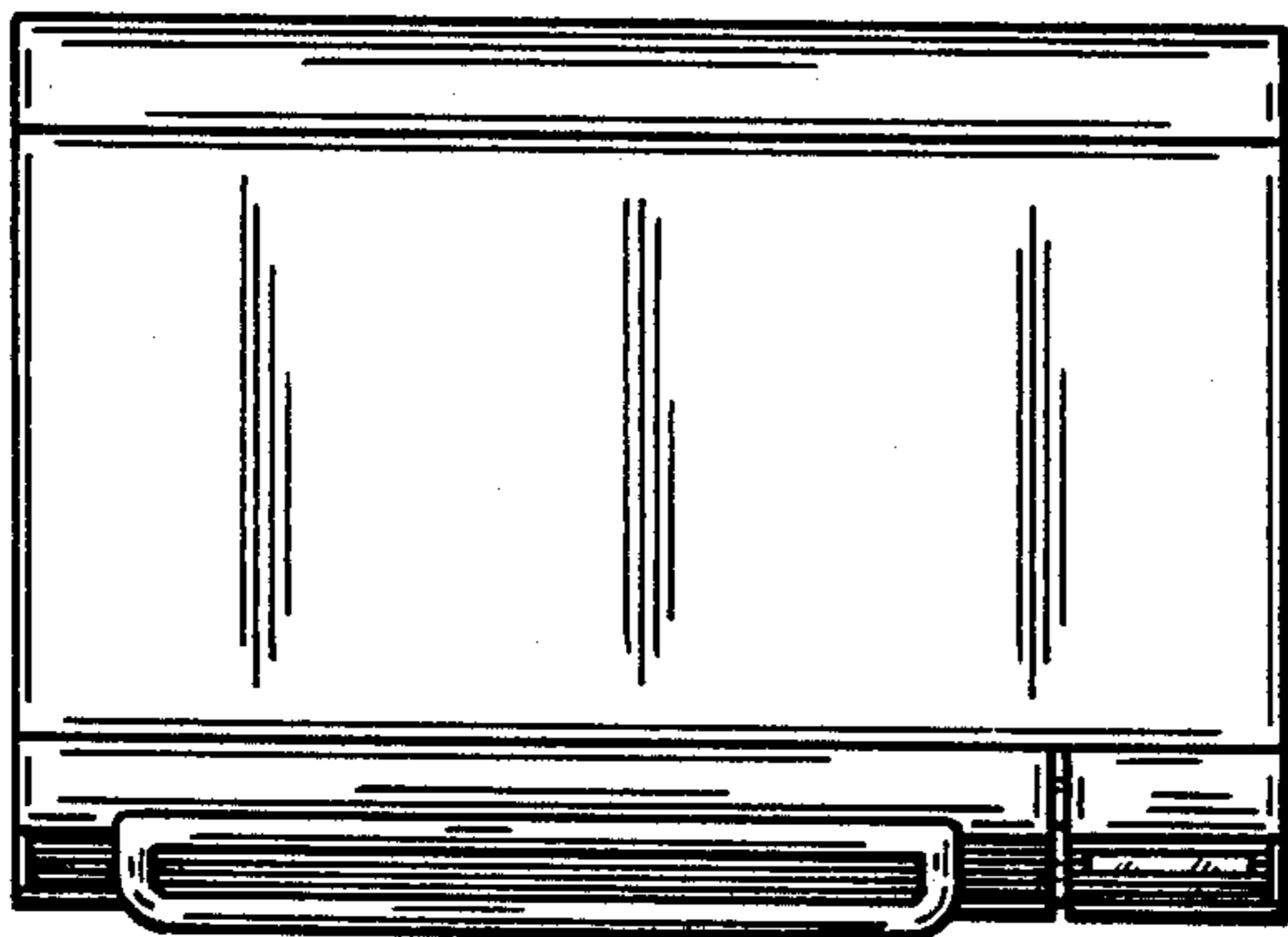
FIG\_2



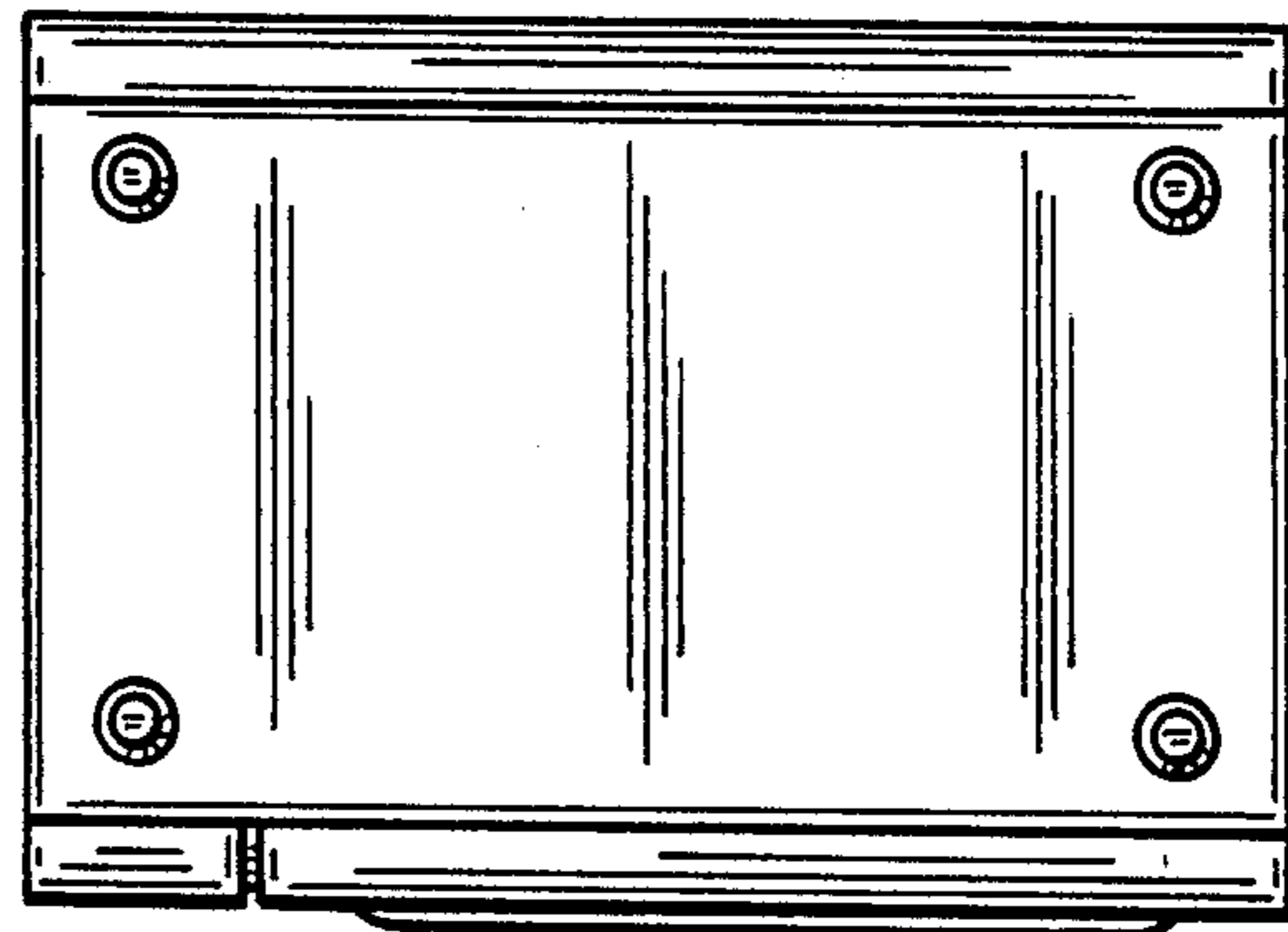
FIG\_3



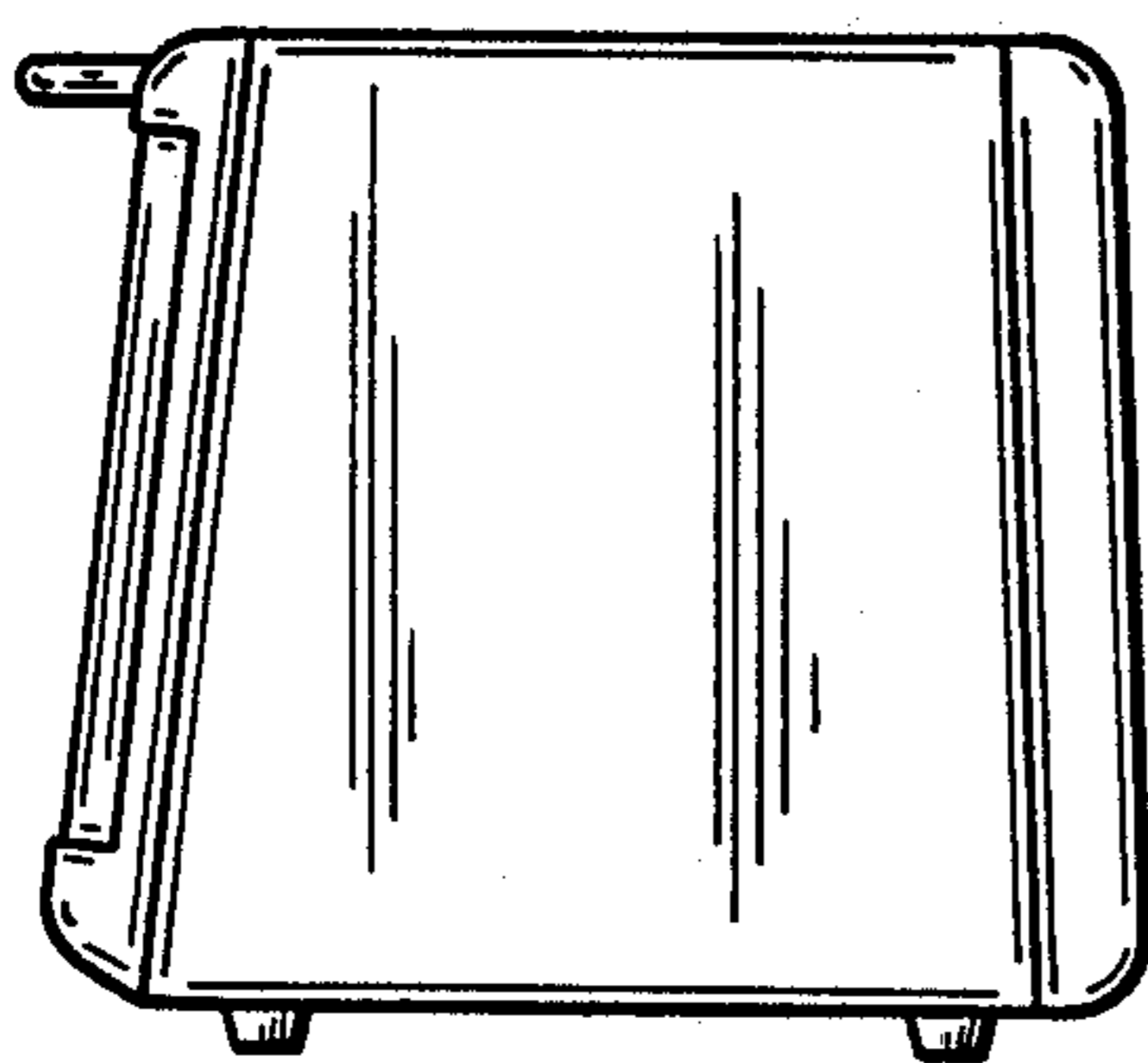
*FIG\_4*



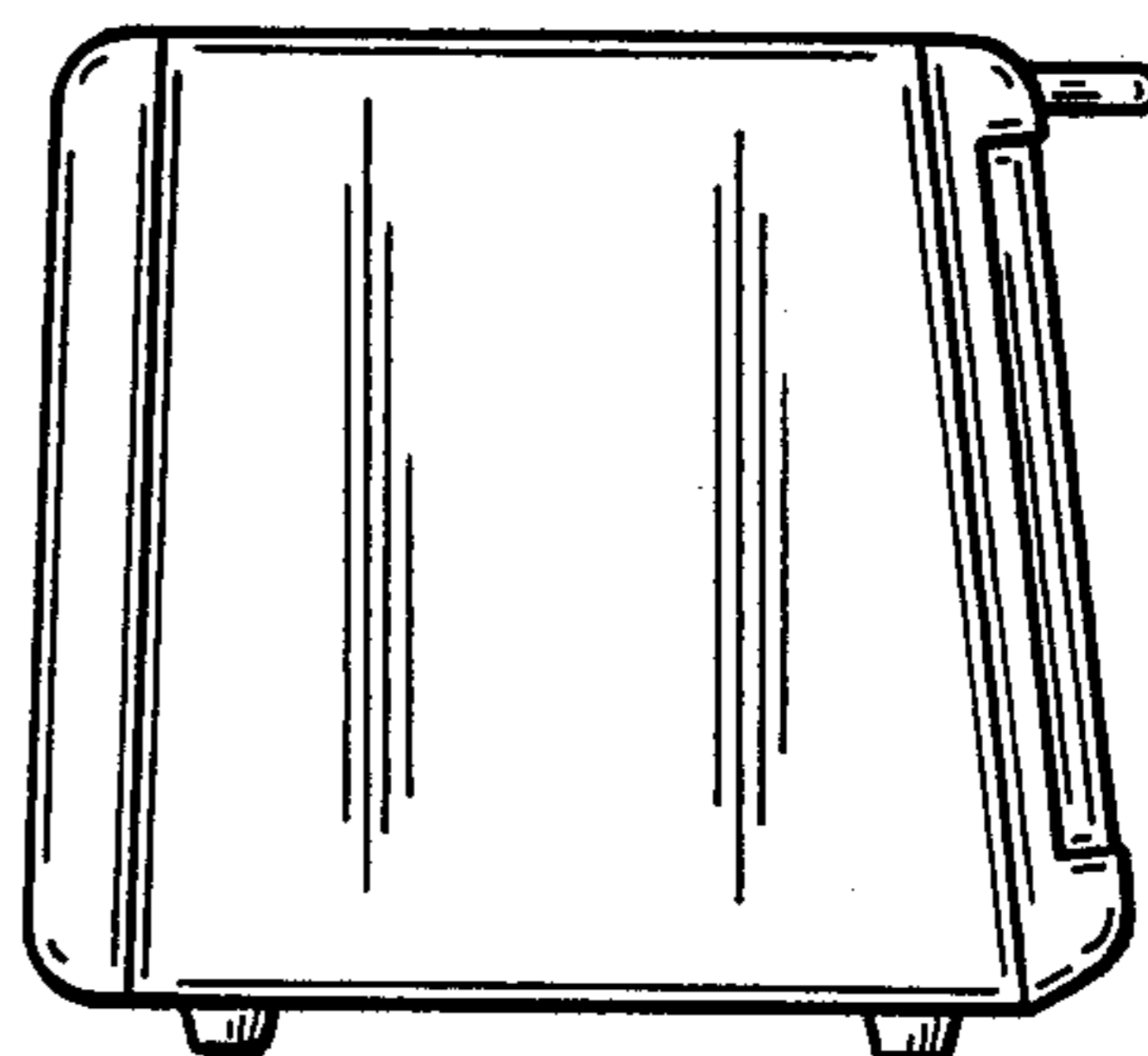
*FIG\_5*



*FIG\_6*



*FIG\_7*



*FIG\_8*