

[54] WALL MOUNTED SUPPORT FOR HAIR CARE APPLIANCES

[76] Inventor: Rosemarie Ianni, 15546 Friar St., Van Nuys, Calif. 91411

[**] Term: 14 Years

[21] Appl. No.: 947,553

[22] Filed: Dec. 29, 1986

[52] U.S. Cl. D6/553

[58] Field of Search D6/524, 546, 553, 567, D6/574; 108/27, 149, 152; 211/13, 11, 16, 35, 88-90, 126, 134, 152

[56] References Cited

U.S. PATENT DOCUMENTS

D. 251,708	5/1979	Robinson	D6/573
D. 266,858	11/1982	Cole	D6/574 X
D. 294,548	3/1988	Wallace	D6/569 X
4,067,536	1/1978	McBeth	211/35 X

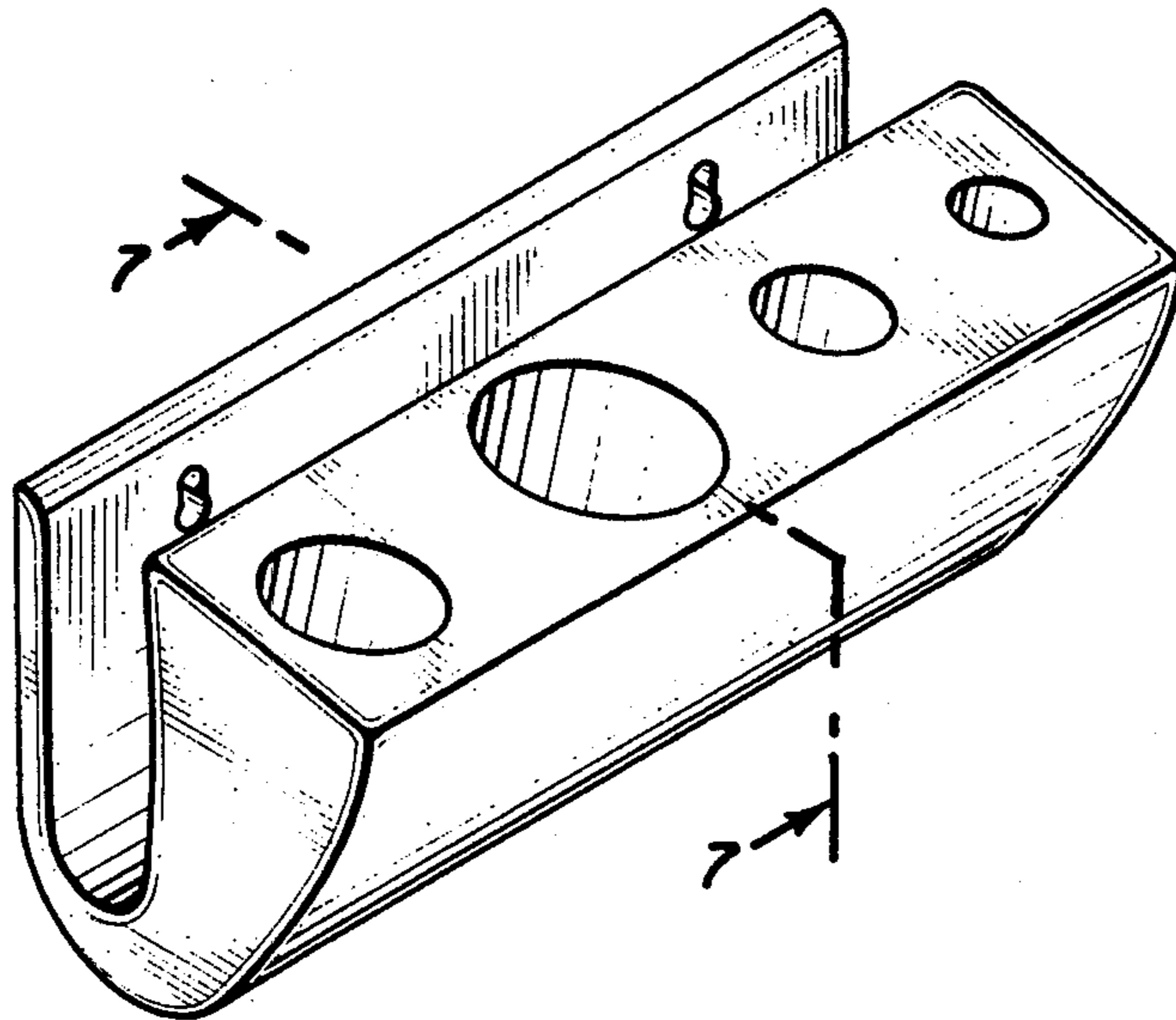
Primary Examiner—Wallace R. Burke
Assistant Examiner—Brian N. Vinson
Attorney, Agent, or Firm—Jack C. Munro

[57] CLAIM

The ornamental design for a wall mounted support for hair care appliances, as shown and described.

DESCRIPTION

FIG. 1 is a perspective view of a wall-mounted support for hair care appliances showing my new design; FIG. 2 is a front elevational view thereof; FIG. 3 is a left side elevational view thereof the right side being a mirror image of that shown; FIG. 4 is a rear elevational view thereof; FIG. 5 is a top plan view thereof; FIG. 6 is a bottom plan view thereof; and FIG. 7 is a vertical cross-sectional view thereof, taken along line 7—7 of FIG. 1.



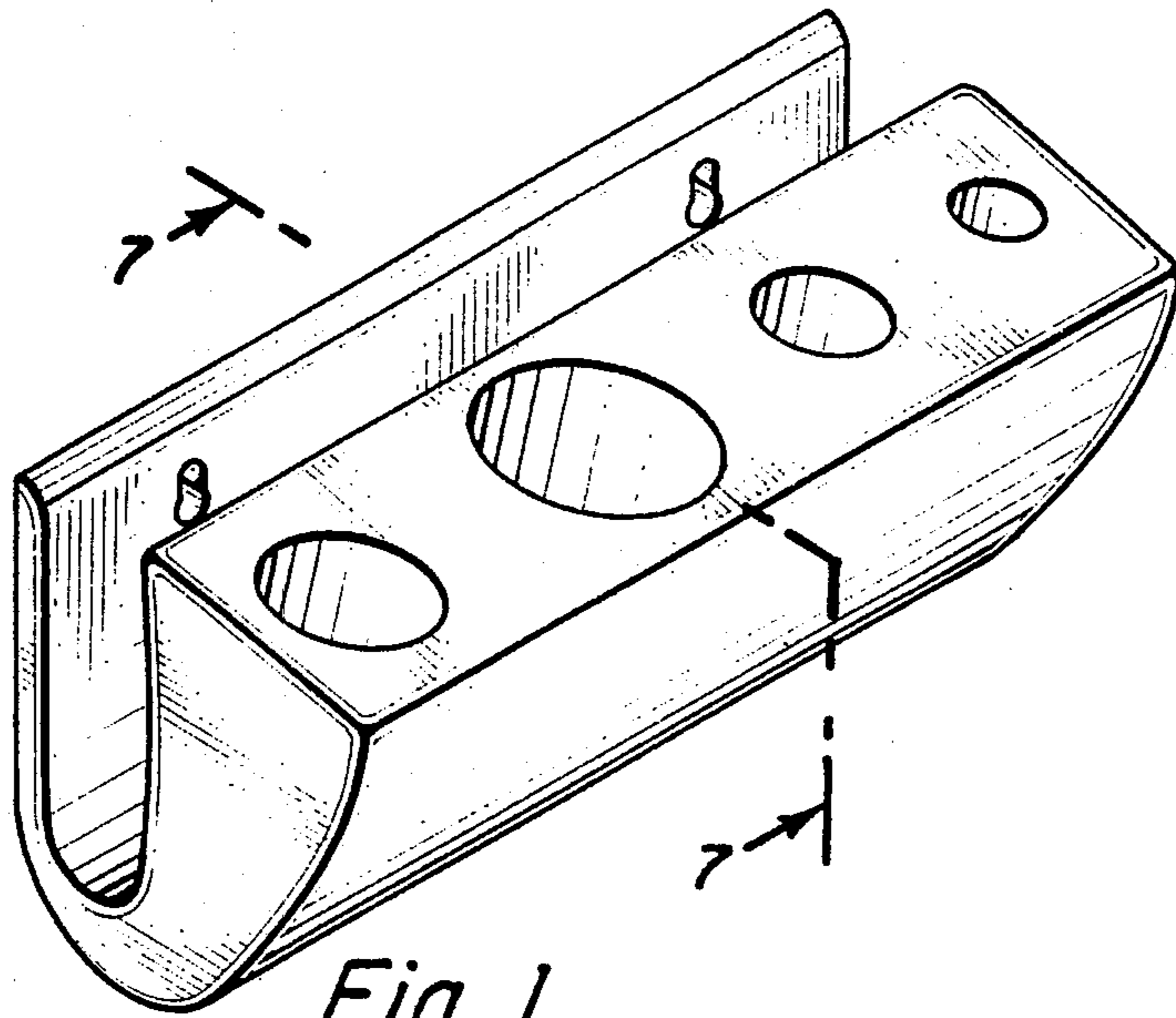


Fig. 1.

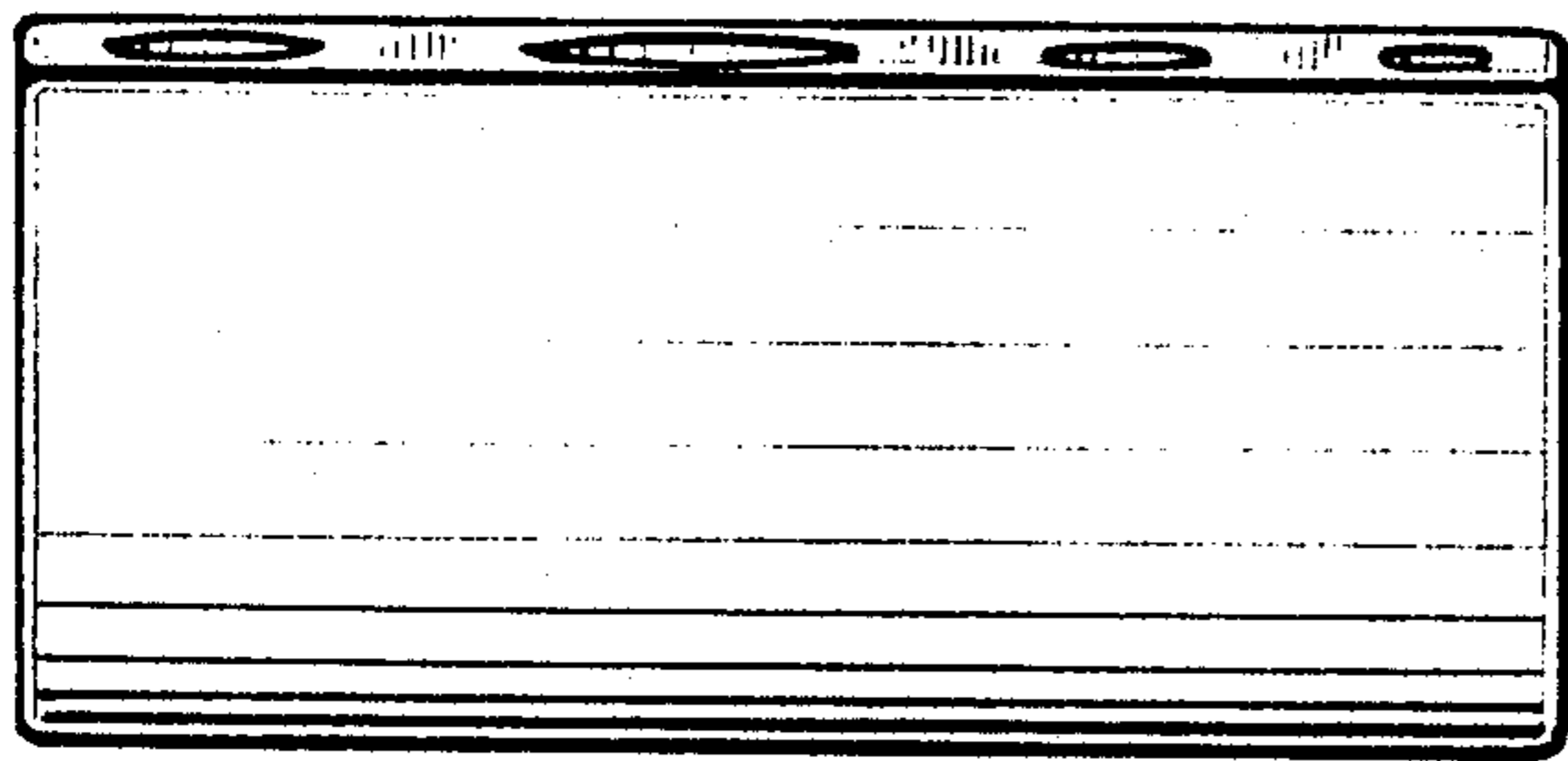


Fig. 2.

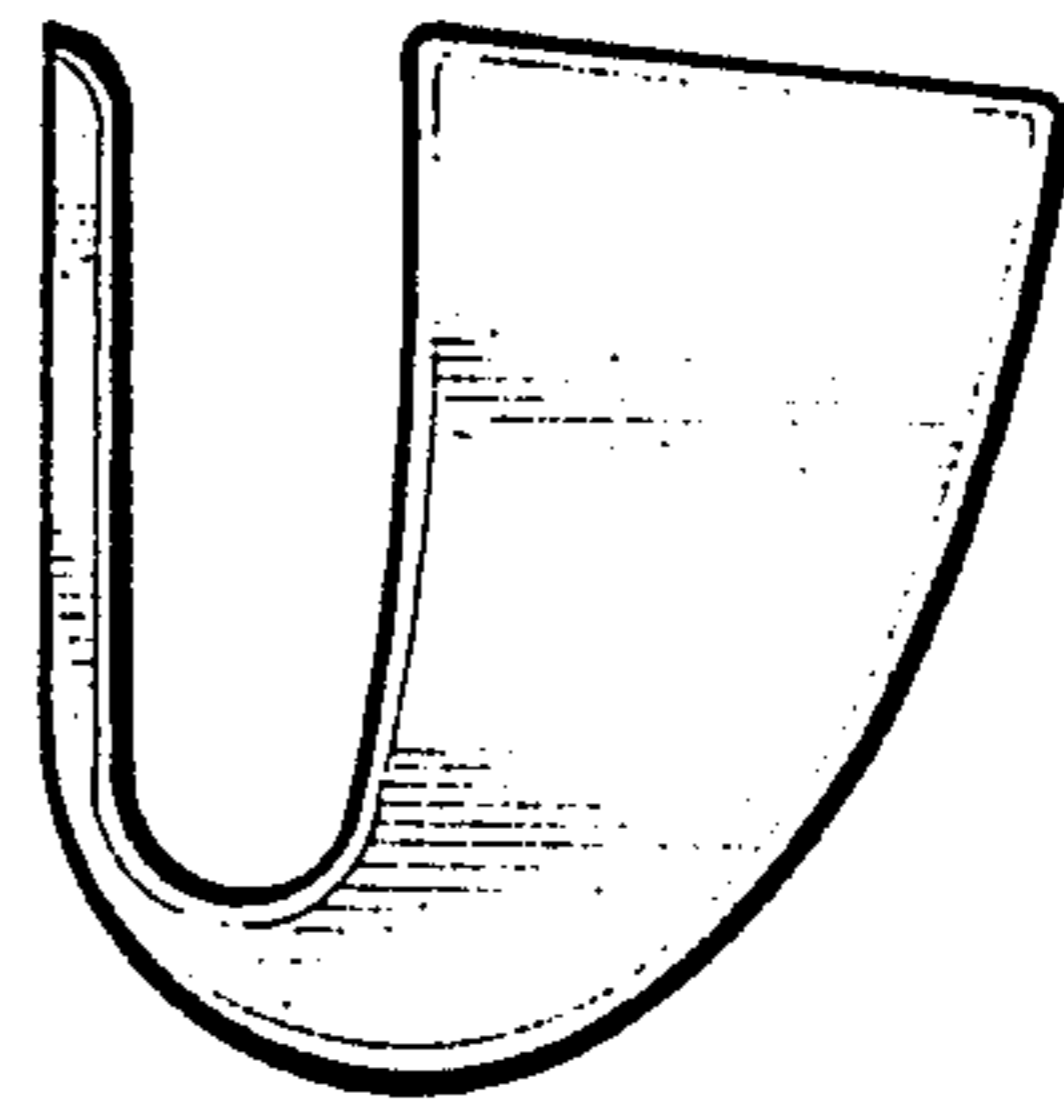


Fig. 3.

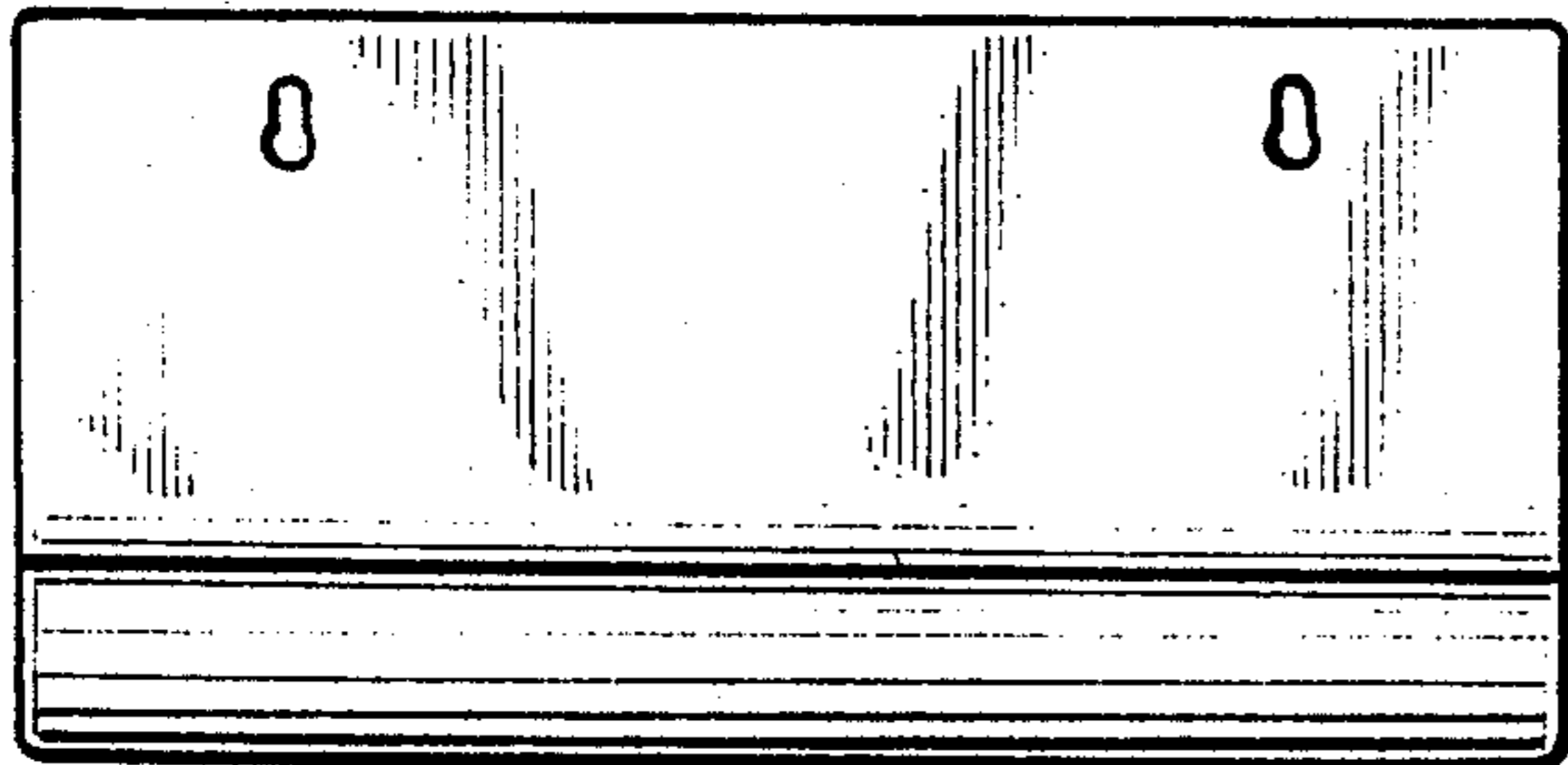


Fig. 4.

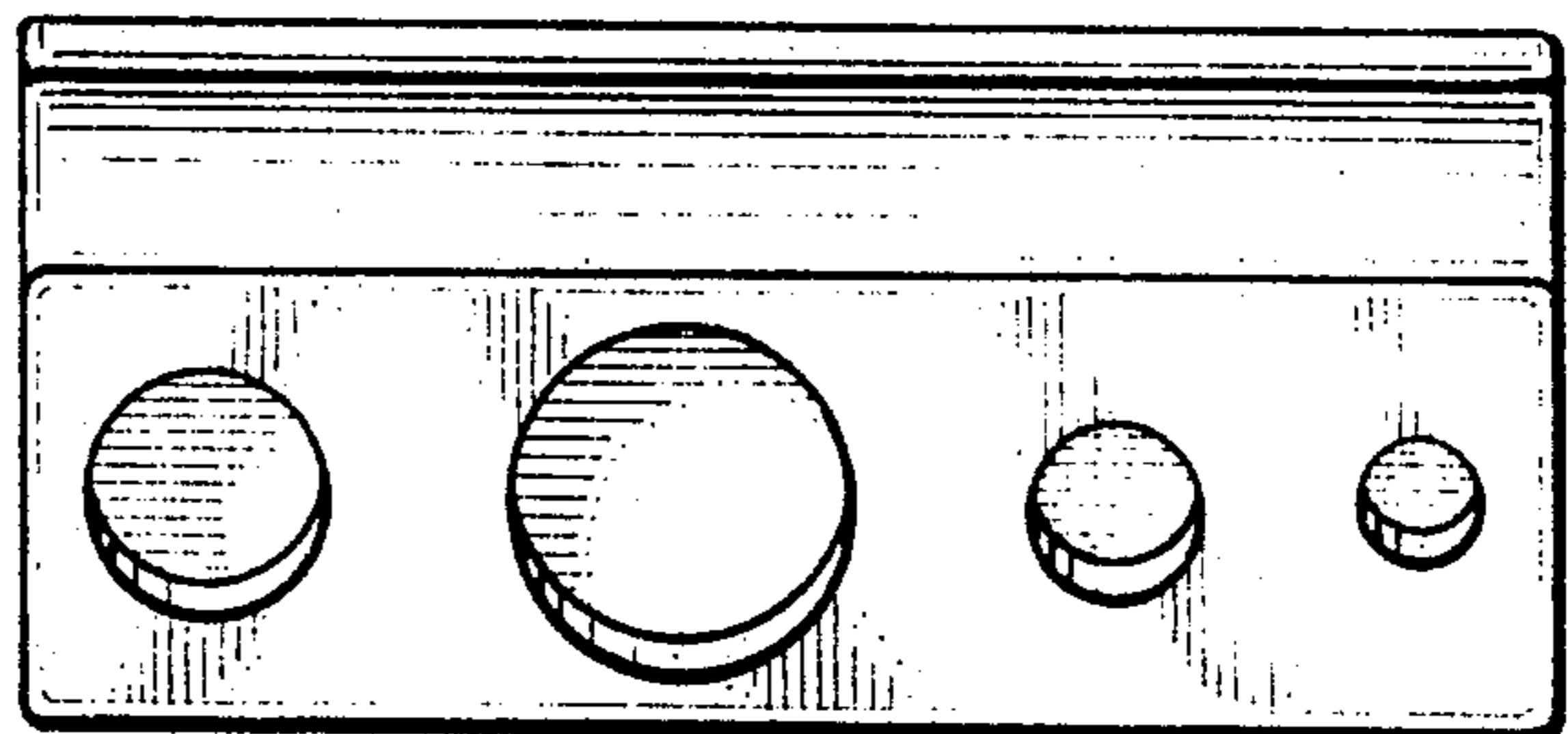


Fig. 5.

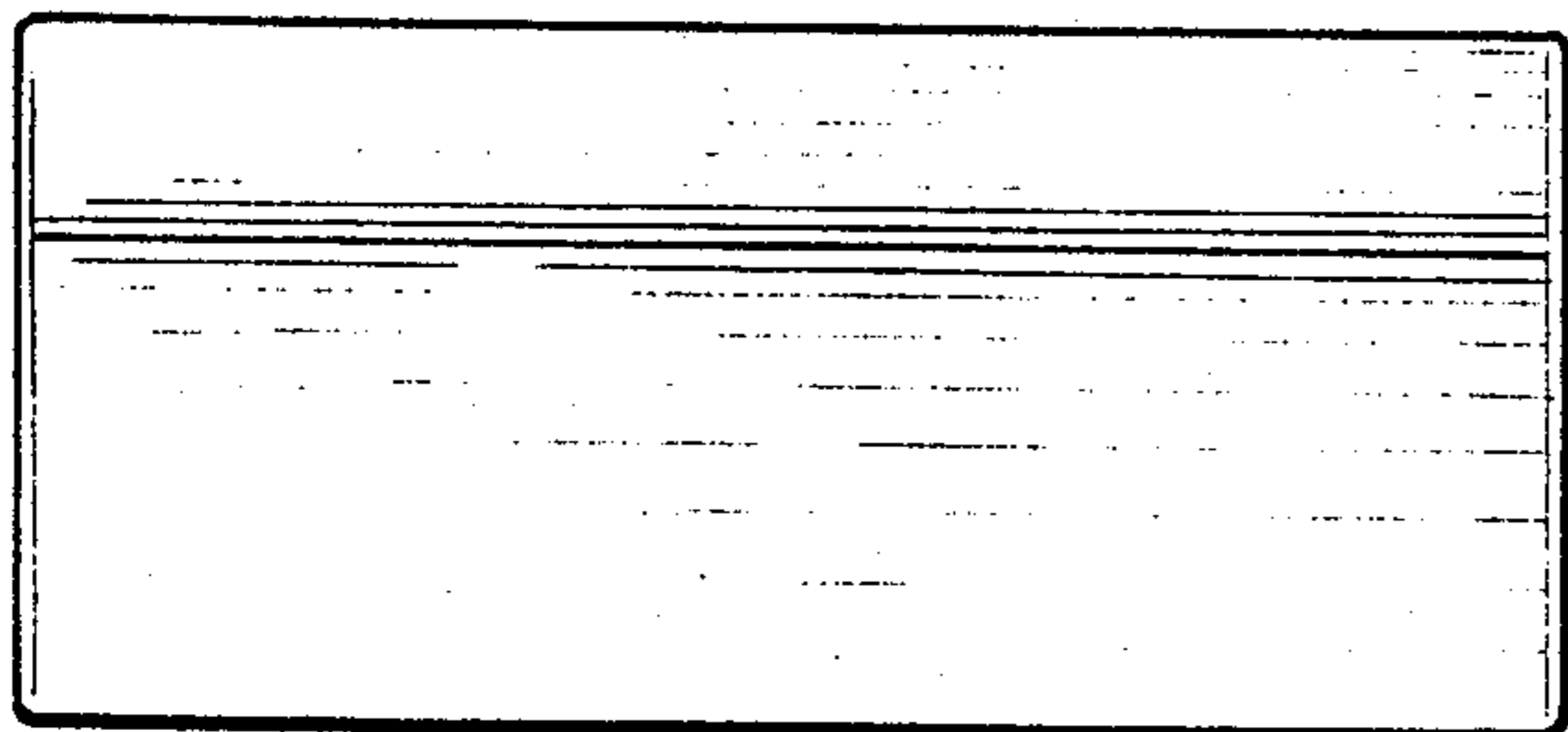


Fig. 6.

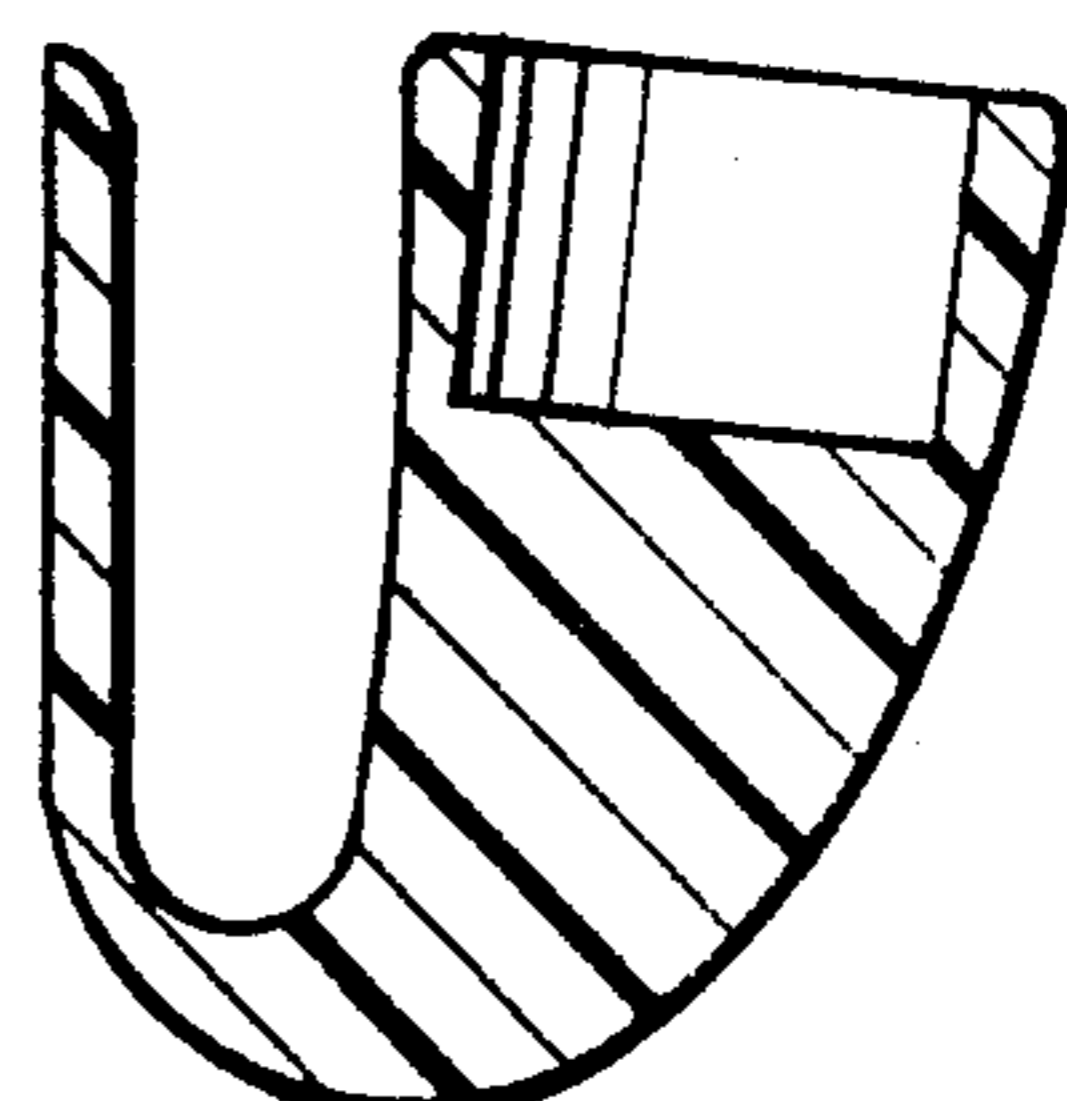


Fig. 7.