

[54] **TOILET TISSUE DISPENSER**  
[76] **Inventor: Edward T. Miels, 545-D Oakdale La., El Cajon, Calif. 92021**  
[\*] **Notice:** The portion of the term of this patent subsequent to Oct. 6, 2001 has been disclaimed.  
[\*\*] **Term: 14 Years**  
[21] **Appl. No.: 941,262**  
[22] **Filed: Dec. 12, 1986**  
[52] **U.S. Cl. .... D6/523**  
[58] **Field of Search ..... D6/512, 515, 518, 520, D6/522-523; 242/55.2; 206/389; 221/191; 312/37, 39**

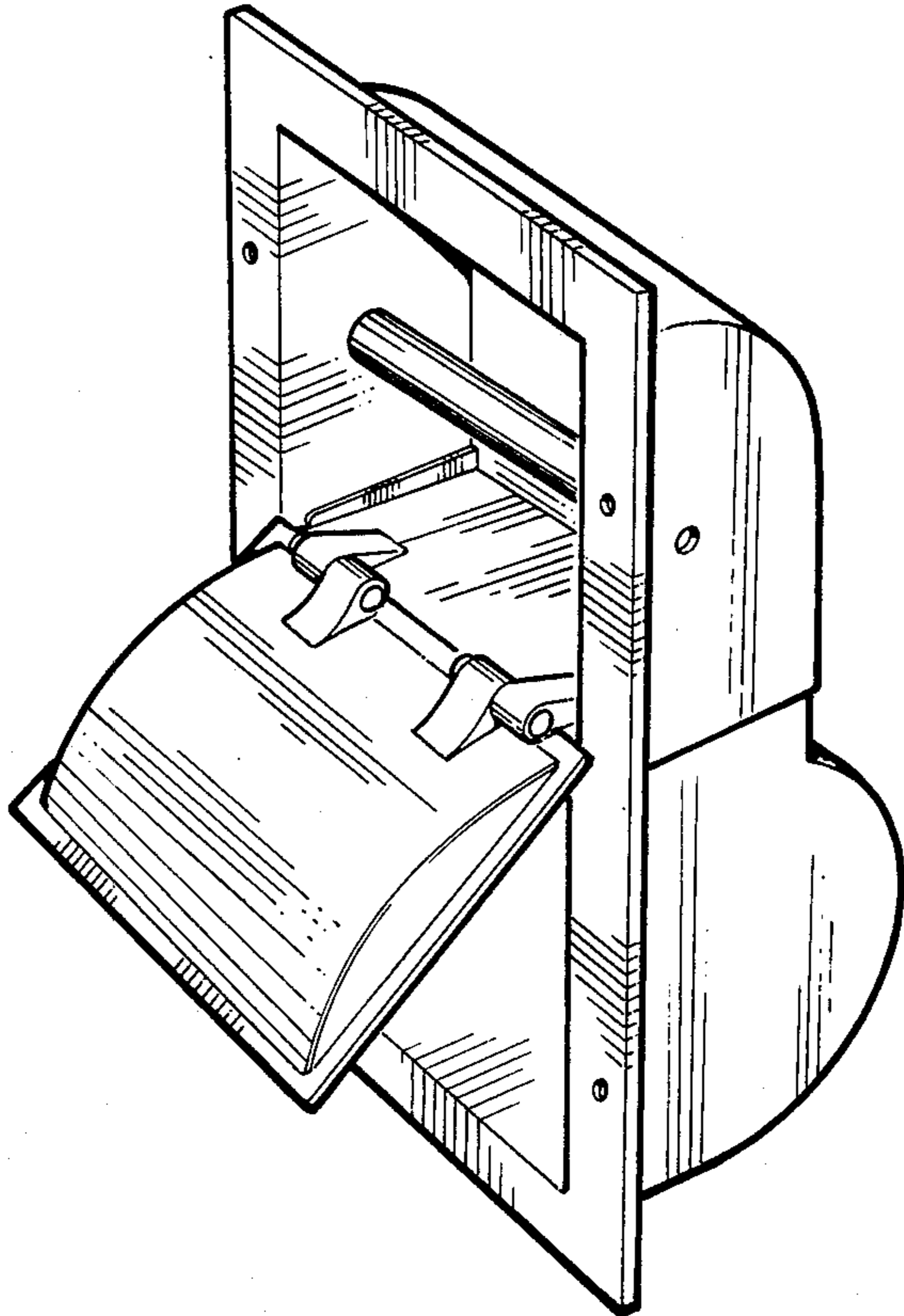
[56] **References Cited**  
**U.S. PATENT DOCUMENTS**  
D. 212,010 8/1968 Tucker ..... D6/520  
D. 292,155 10/1987 Miels ..... D6/523

3,211,504 10/1965 Bump ..... D6/520 X  
3,416,744 12/1968 Mott, Sr., et al. .... 242/55.3  
3,494,518 2/1970 Goss ..... 242/55.3 X

*Primary Examiner*—Wallace R. Burke  
*Assistant Examiner*—Brian N. Vinson  
*Attorney, Agent, or Firm*—Charles C. Logan, II

[57] **CLAIM**  
The ornamental design for a toilet tissue dispenser, as shown and described.

**DESCRIPTION**  
FIG. 1 is a front elevational view of a toilet tissue dispenser showing my new design;  
FIG. 2 is a right side elevation view thereof;  
FIG. 3 is a bottom plan view thereof;  
FIG. 4 is a left side elevation view thereof;  
FIG. 5 is a rear elevation view thereof;  
FIG. 6 is a top plan view thereof; and  
FIG. 7 is a front perspective view thereof with the front cover shown partially open.



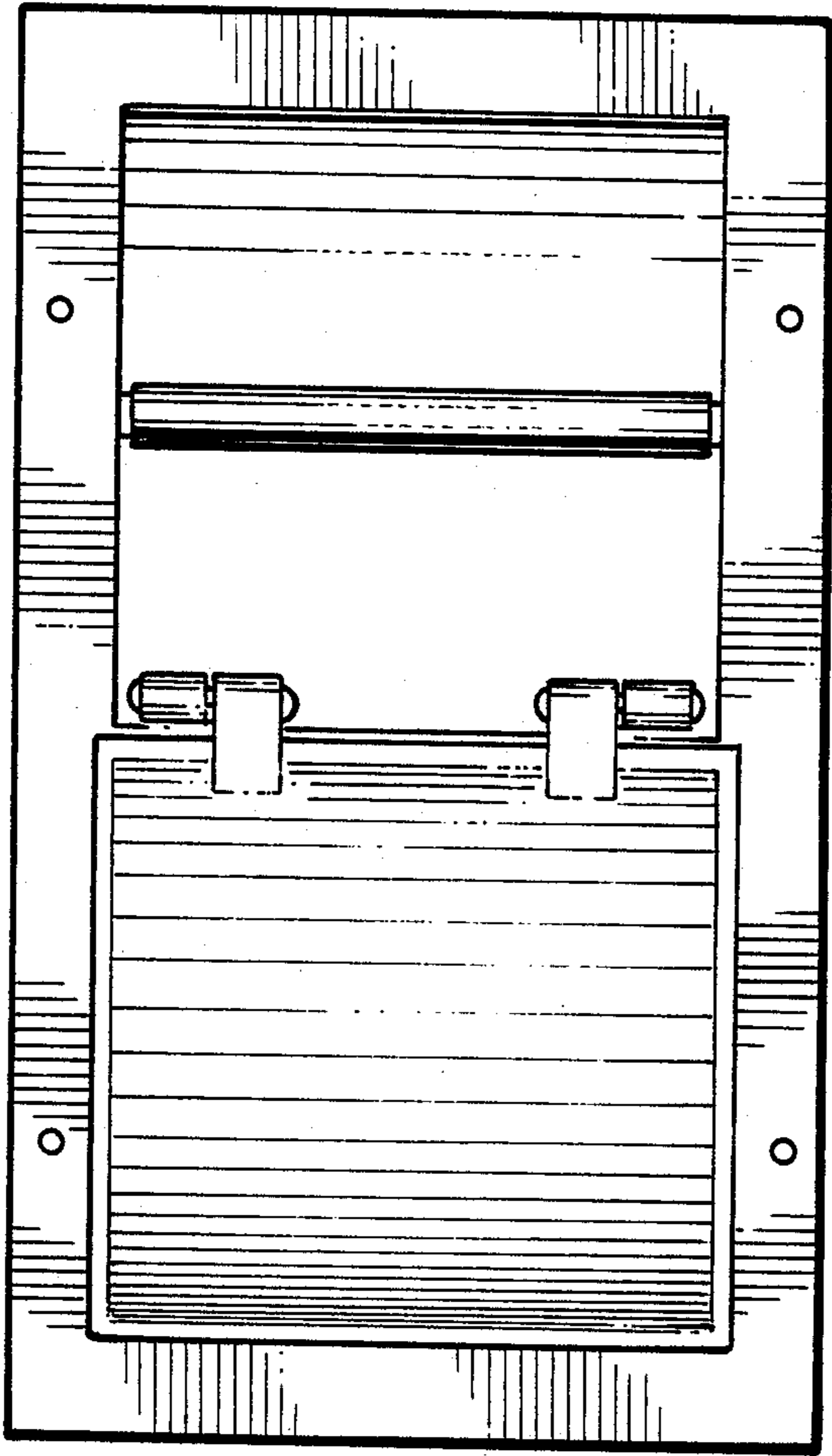


FIG. 1

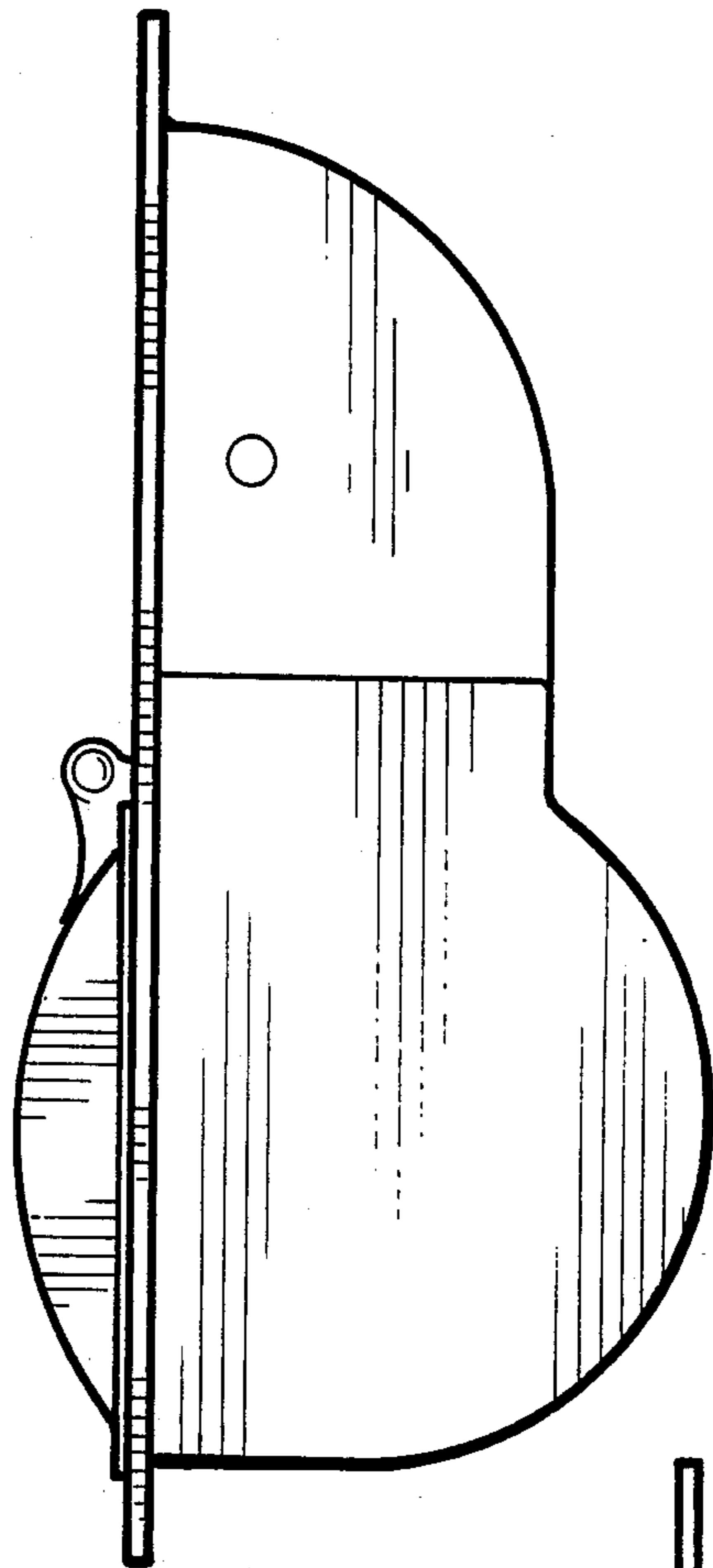


FIG. 2

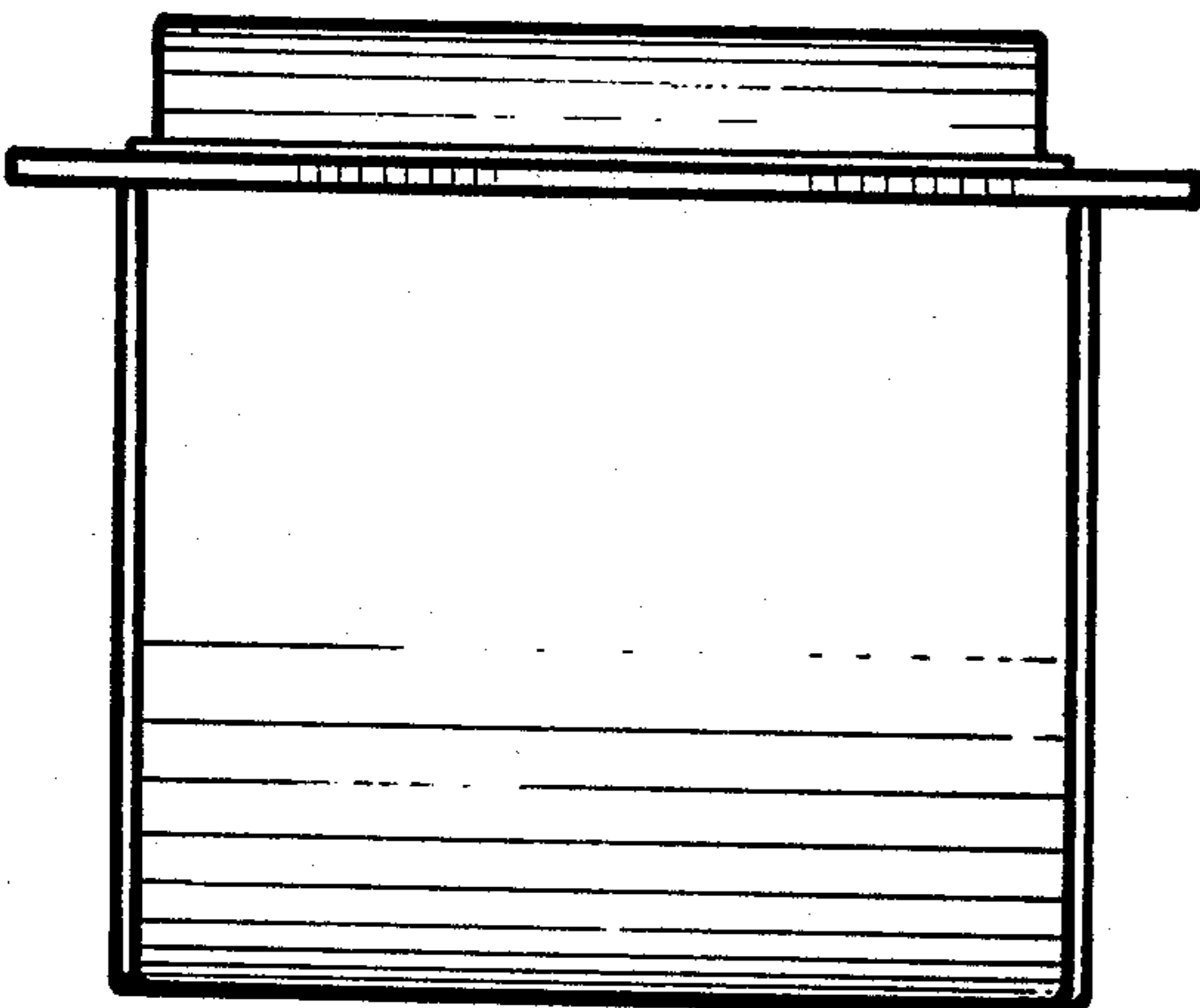


FIG. 3

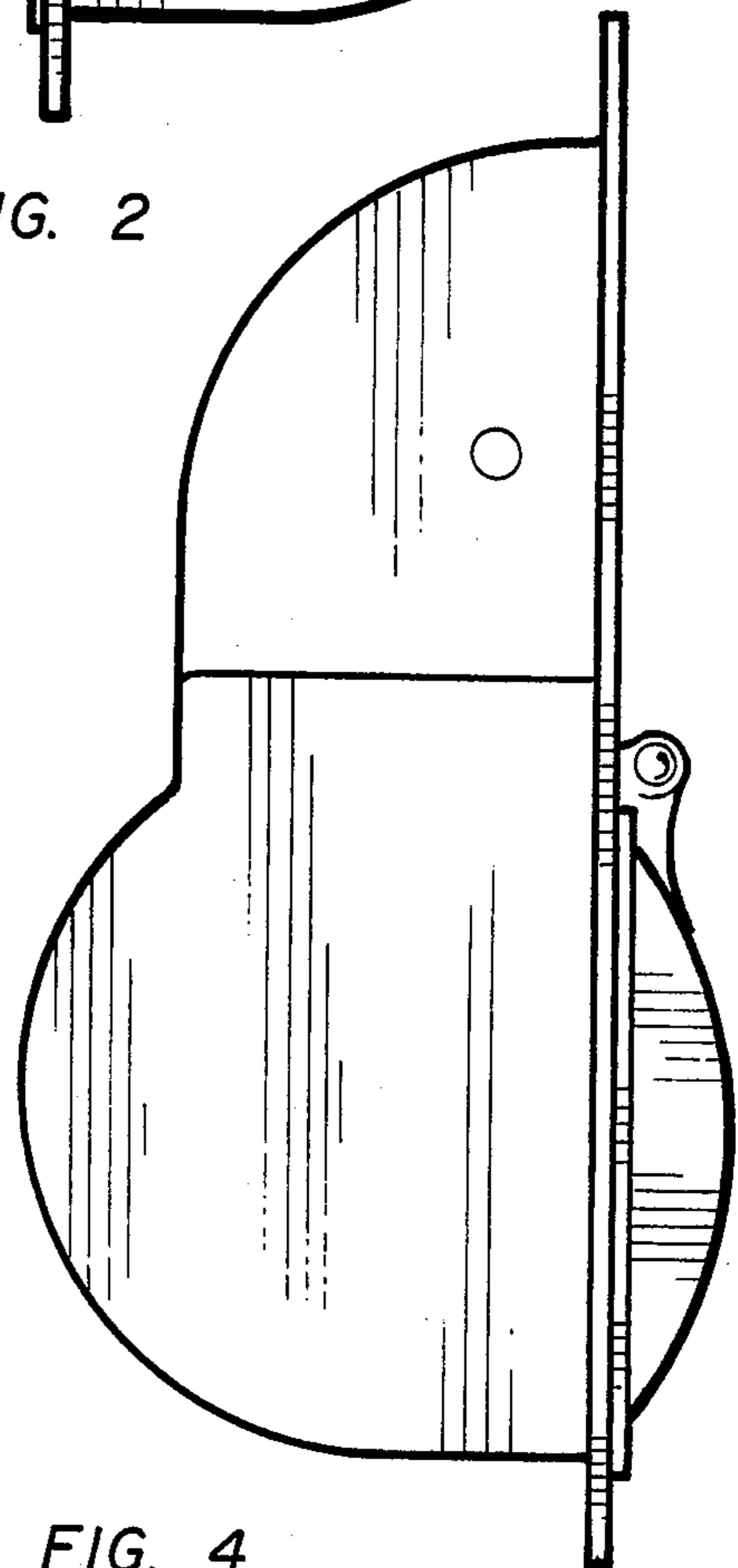


FIG. 4

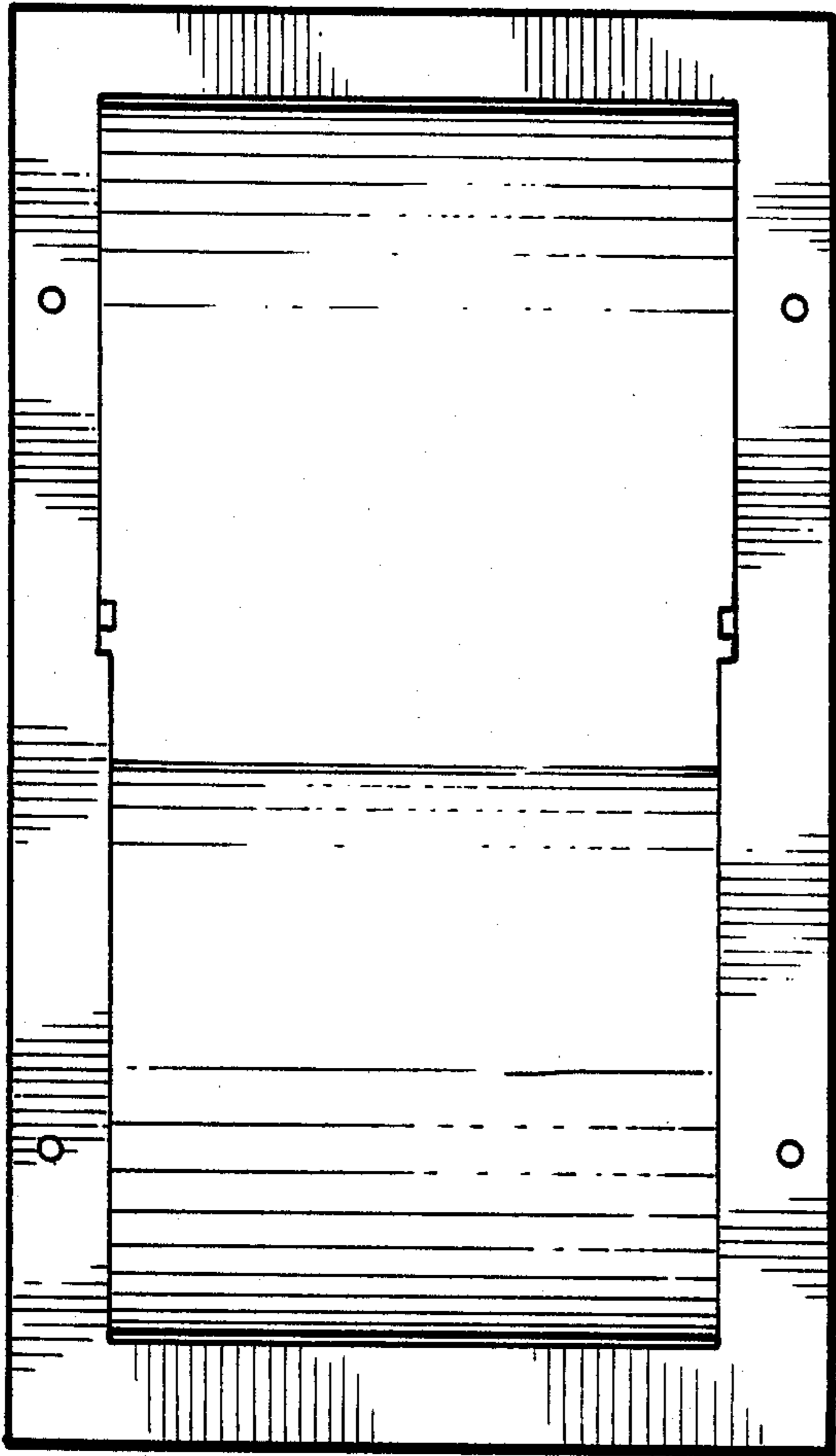


FIG. 5

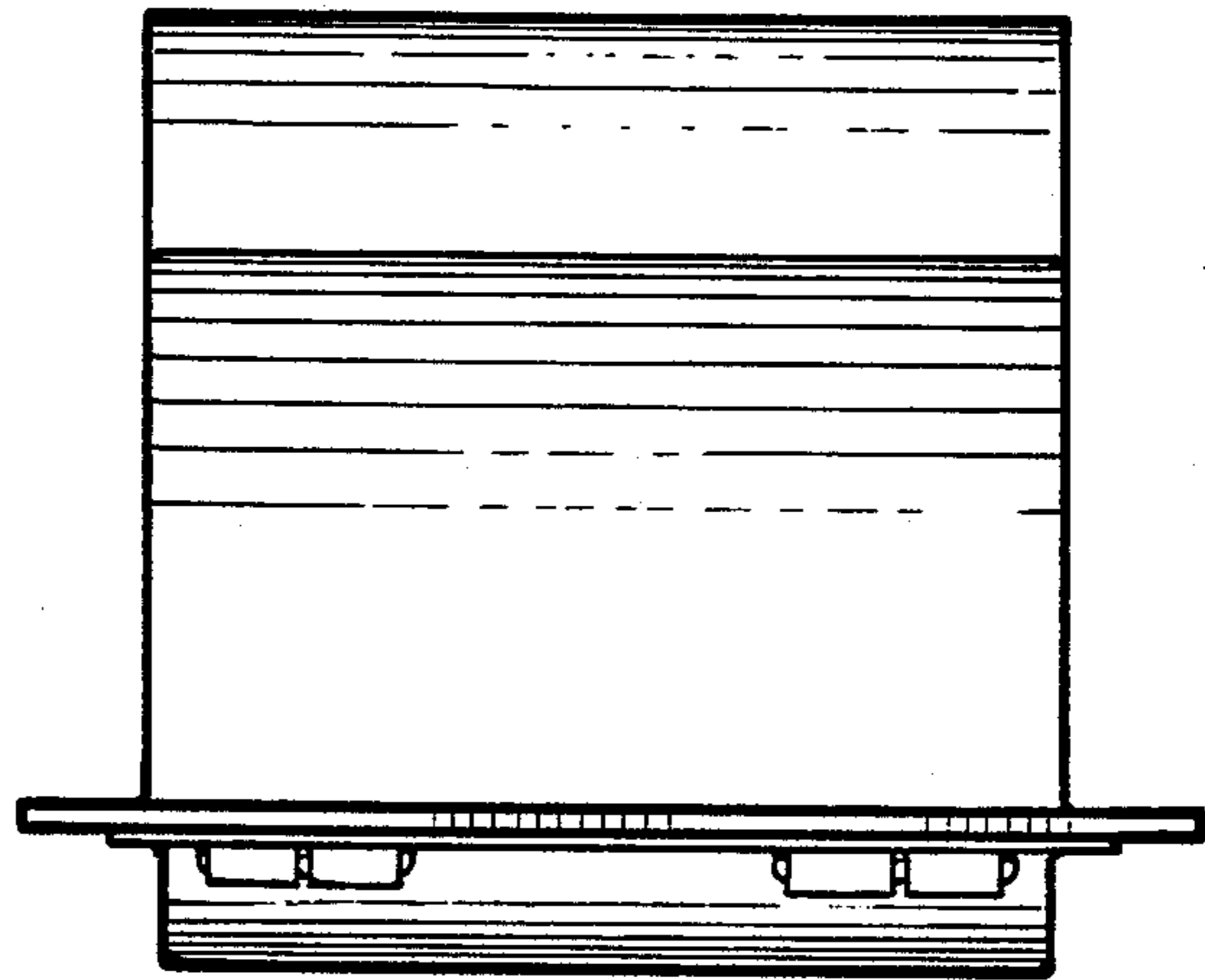


FIG. 6

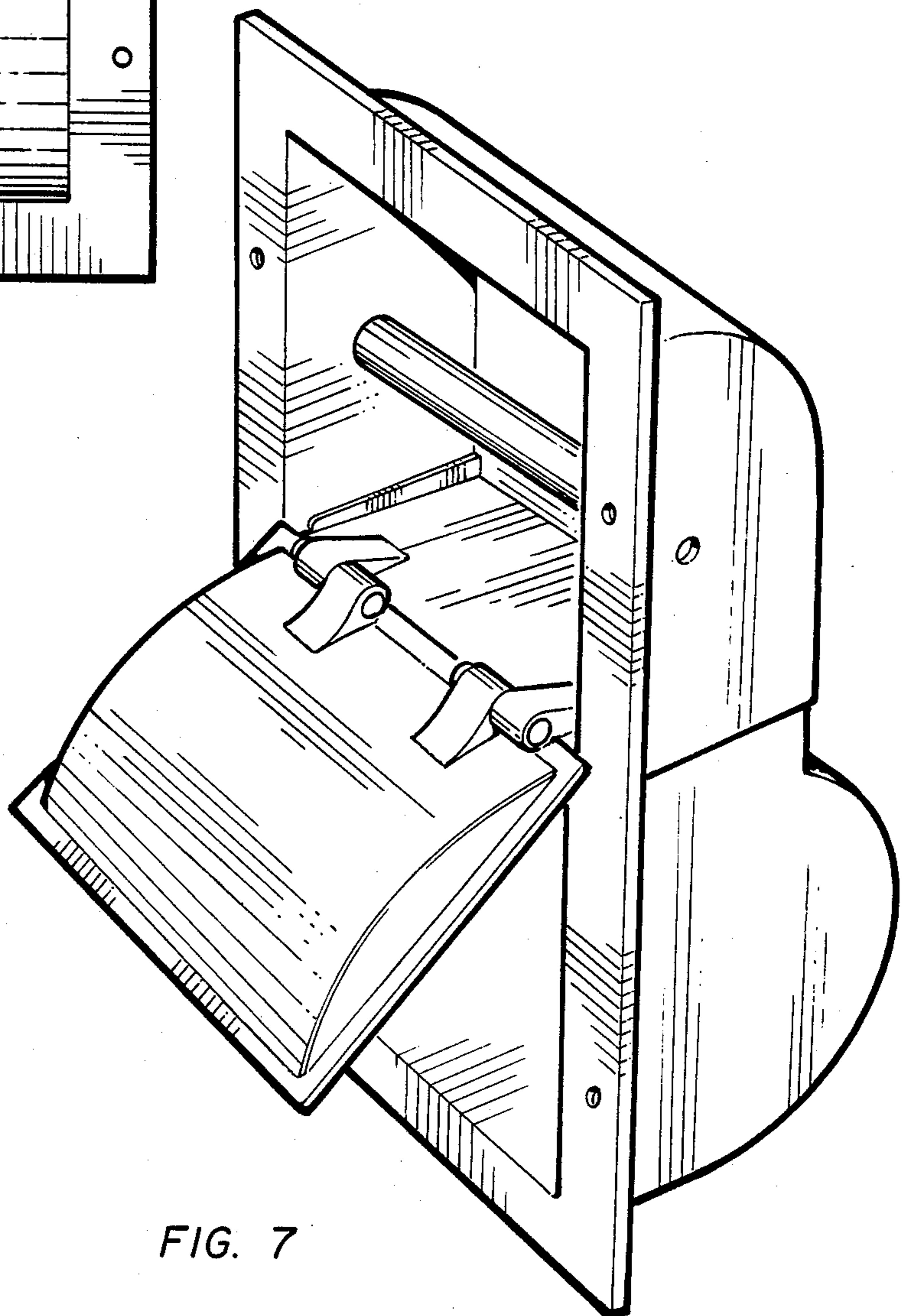


FIG. 7