

United States Patent [19]
Price

[11] **Patent Number: Des. 300,698**

[45] **Date of Patent: ** Apr. 18, 1989**

[54] **FENCE FOR AN EXTENSION TABLE OR THE LIKE**

D. 279,736 7/1985 Zastera et al. D6/400
4,321,247 7/1982 Price 144/287

[76] **Inventor: T. David Price, 648 Turin St., So. St. Paul, Minn. 55075**

Primary Examiner—A. Hugo Word
Attorney, Agent, or Firm—Merchant, Gould, Smith, Edell, Welter & Schmidt

[**] **Term: 14 Years**

[57] **CLAIM**

[21] **Appl. No.: 857,460**

The ornamental design for a fence for an extension table or the like, as shown and described.

[22] **Filed: Apr. 24, 1986**

[52] **U.S. Cl. D6/400; D25/119**

DESCRIPTION

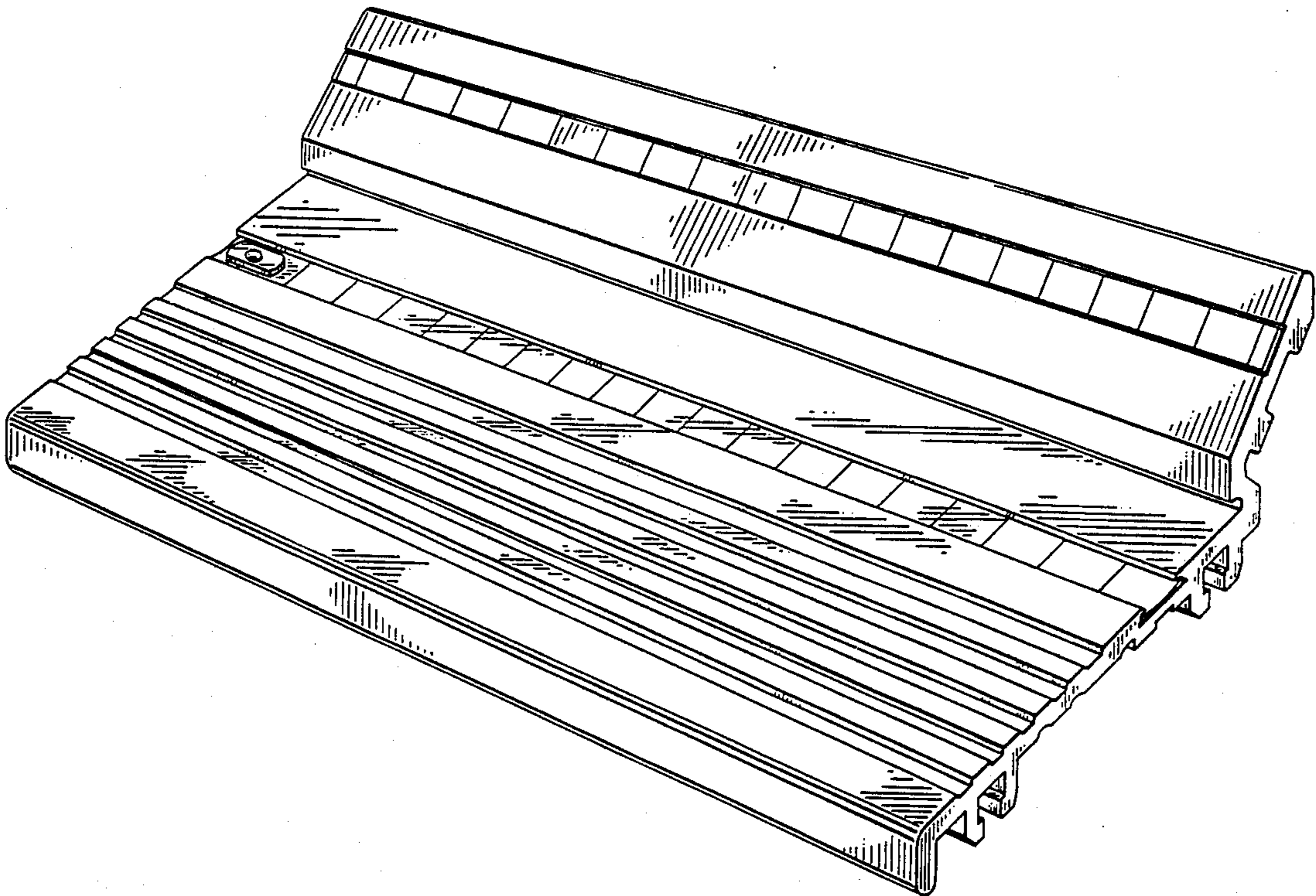
[58] **Field of Search 144/286 R, 286 A, 287; 269/16, 139, 36; D25/38, 119, 120; D6/400, 429**

FIG. 1 is a perspective view of a fence for an extension table or the like showing my new design;
FIG. 2 is a front elevational view thereof;
FIG. 3 is a rear elevational view thereof;
FIG. 4 is a top plan view thereof;
FIG. 5 is a bottom plan view thereof.
FIG. 6 is an enlarged left side elevational view; and
FIG. 7 is an enlarged right side elevational view thereof.

[56] **References Cited**

U.S. PATENT DOCUMENTS

D. 221,553 8/1971 Figlin et al. D25/119
D. 266,128 9/1982 Ferdinand et al. D6/400
D. 272,111 1/1984 Anzalone D6/400



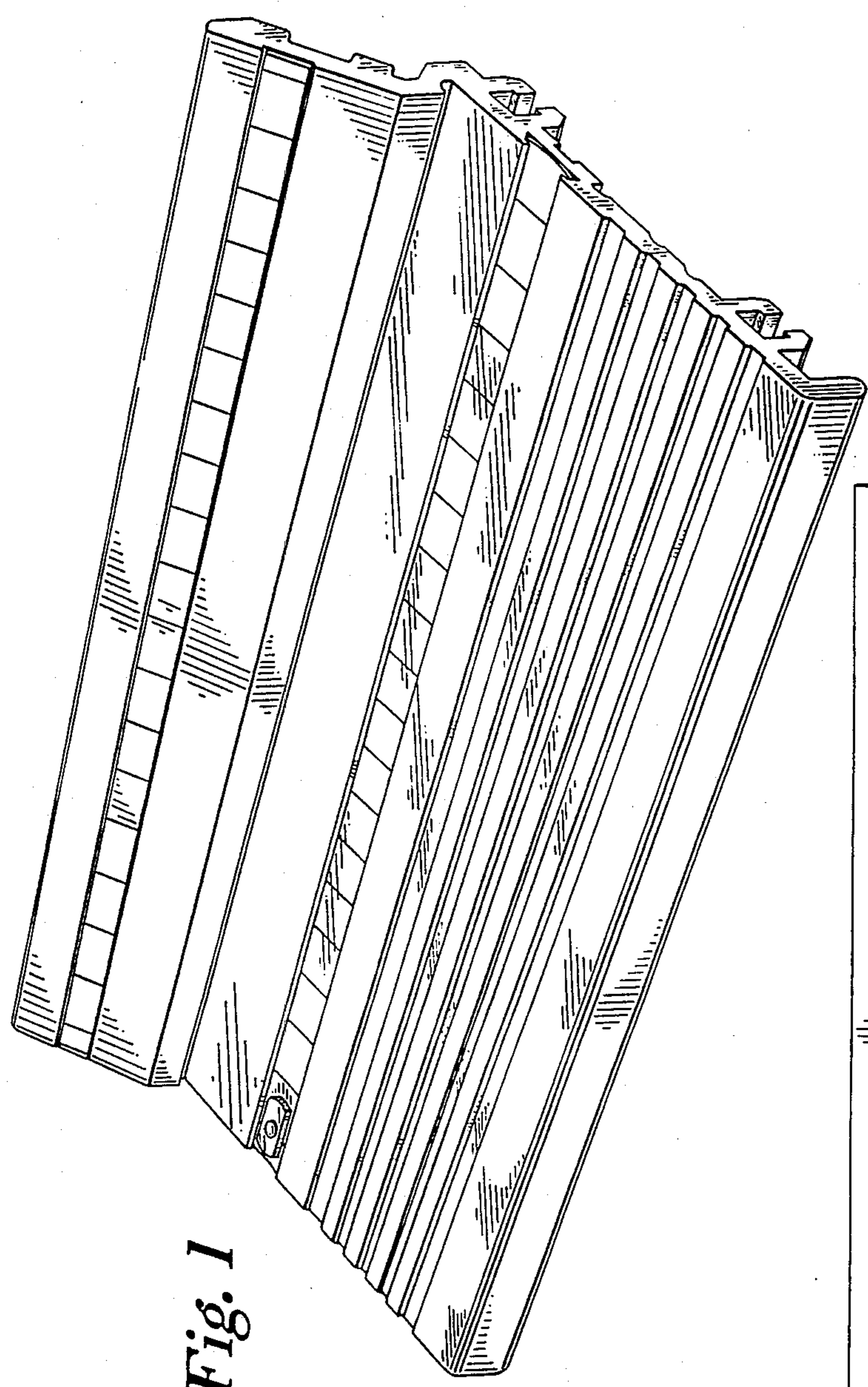


Fig. 1

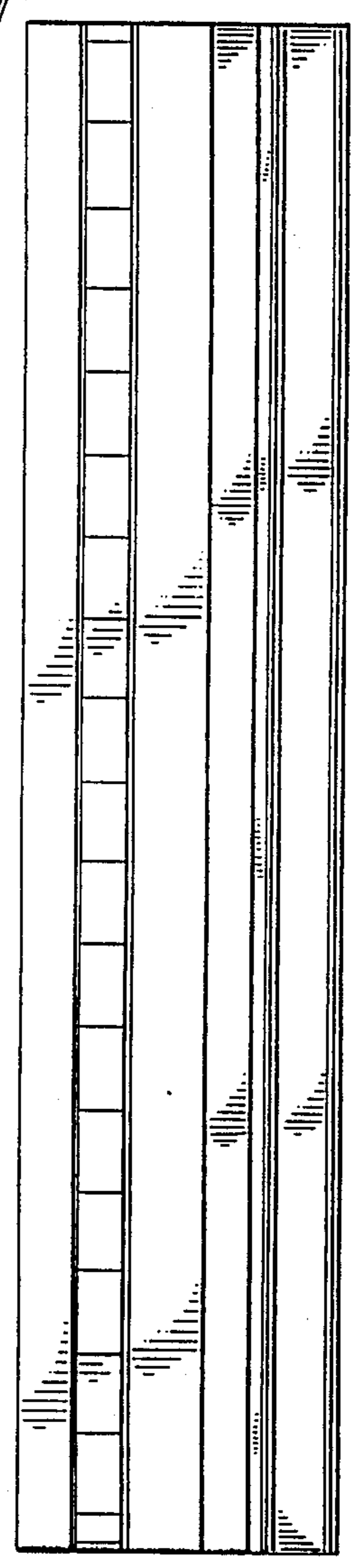


Fig. 2

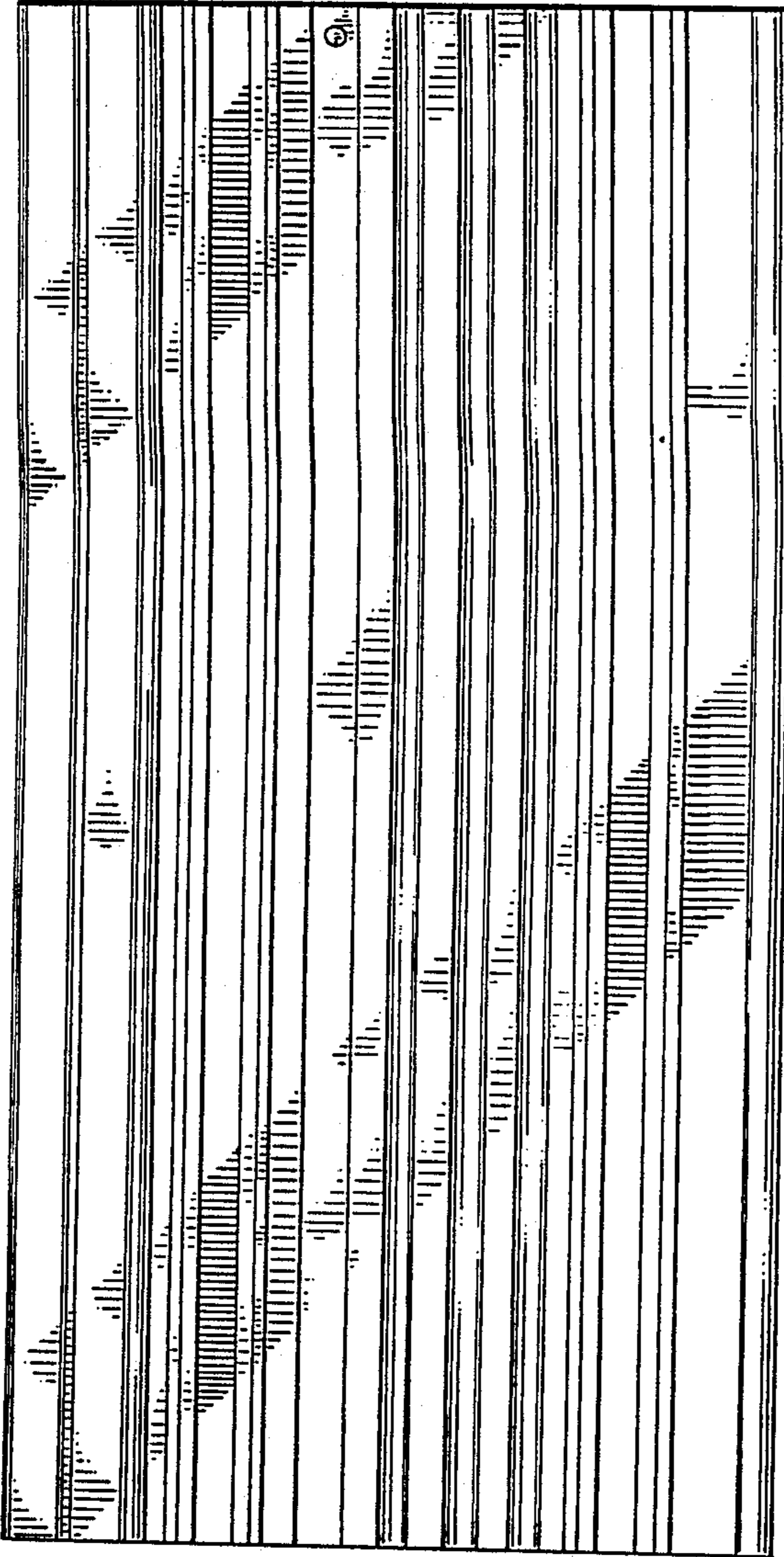


Fig. 5

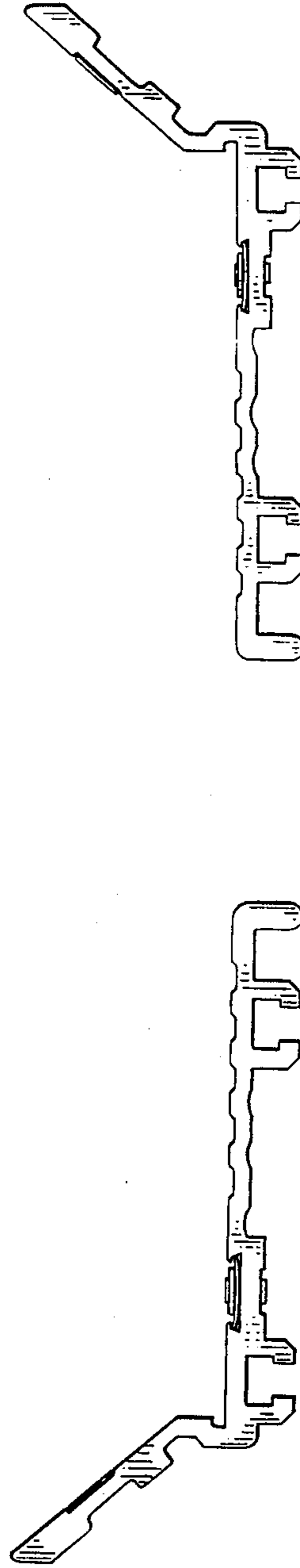


Fig. 6

Fig. 7