

United States Patent [19]
Garnich

[11] **Patent Number: Des. 300,696**
[45] **Date of Patent: ** Apr. 18, 1989**

[54] **CHAIR**

[75] **Inventor: Rolf Garnich, Esslingen/Zell, Fed. Rep. of Germany**

[73] **Assignee: Wella Aktiengesellschaft, Darmstadt, Fed. Rep. of Germany**

[**] **Term: 14 Years**

[21] **Appl. No.: 904,267**

[22] **Filed: Sep. 4, 1986**

[30] **Foreign Application Priority Data**

Mar. 4, 1986 [DE] Fed. Rep. of Germany 8MR 932

[52] **U.S. Cl. D6/365; D6/366**

[58] **Field of Search D6/334, 364, 365, 366, D6/379, 380; 248/188.1, 188.7; 297/296, 297, 298, 411**

[56] **References Cited**

U.S. PATENT DOCUMENTS

D. 261,951 11/1981 Ekelund D6/365
D. 274,675 7/1984 Diffrient D6/366

D. 285,629 9/1986 Francil et al. D6/366
D. 288,869 3/1987 Bitsch D6/365
D. 292,047 9/1987 Bitsch D6/365
D. 295,926 5/1988 Uredat D6/366
4,277,102 7/1981 Aaras et al. 297/411

Primary Examiner—Bruce W. Dunkins
Attorney, Agent, or Firm—Michael J. Striker

[57] **CLAIM**

The ornamental design for a chair, as shown and described.

DESCRIPTION

FIG. 1 is a front perspective view of a chair showing my new design;
FIG. 2 is a rear perspective view;
FIG. 3 is a front elevational view;
FIG. 4 is a rear elevational view;
FIG. 5 is a side elevational view;
FIG. 6 is an elevational view showing the side opposite that shown in FIG. 5;
FIG. 7 is a top plan view; and
FIG. 8 is a bottom plan view thereof.

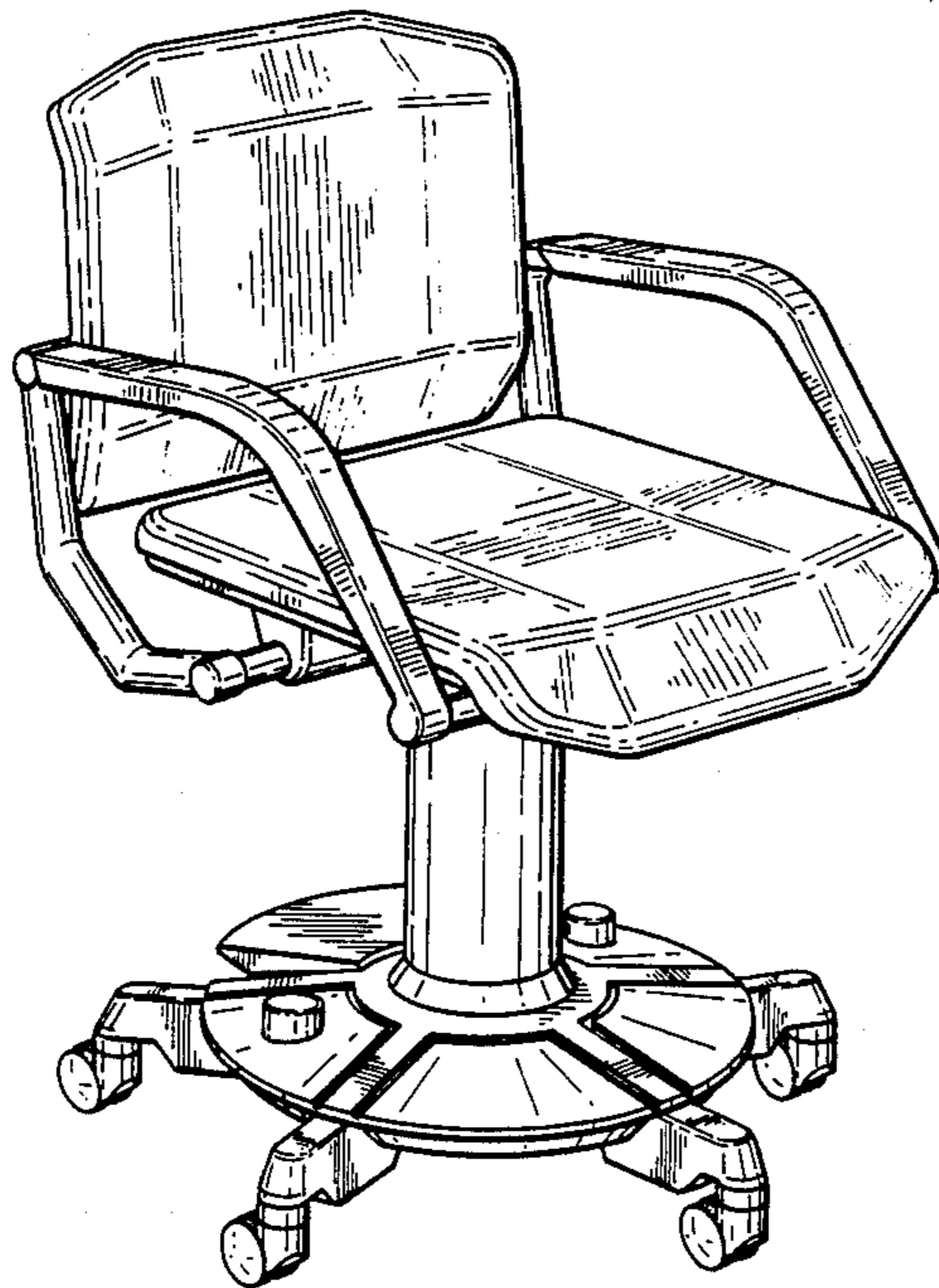


FIG. 2

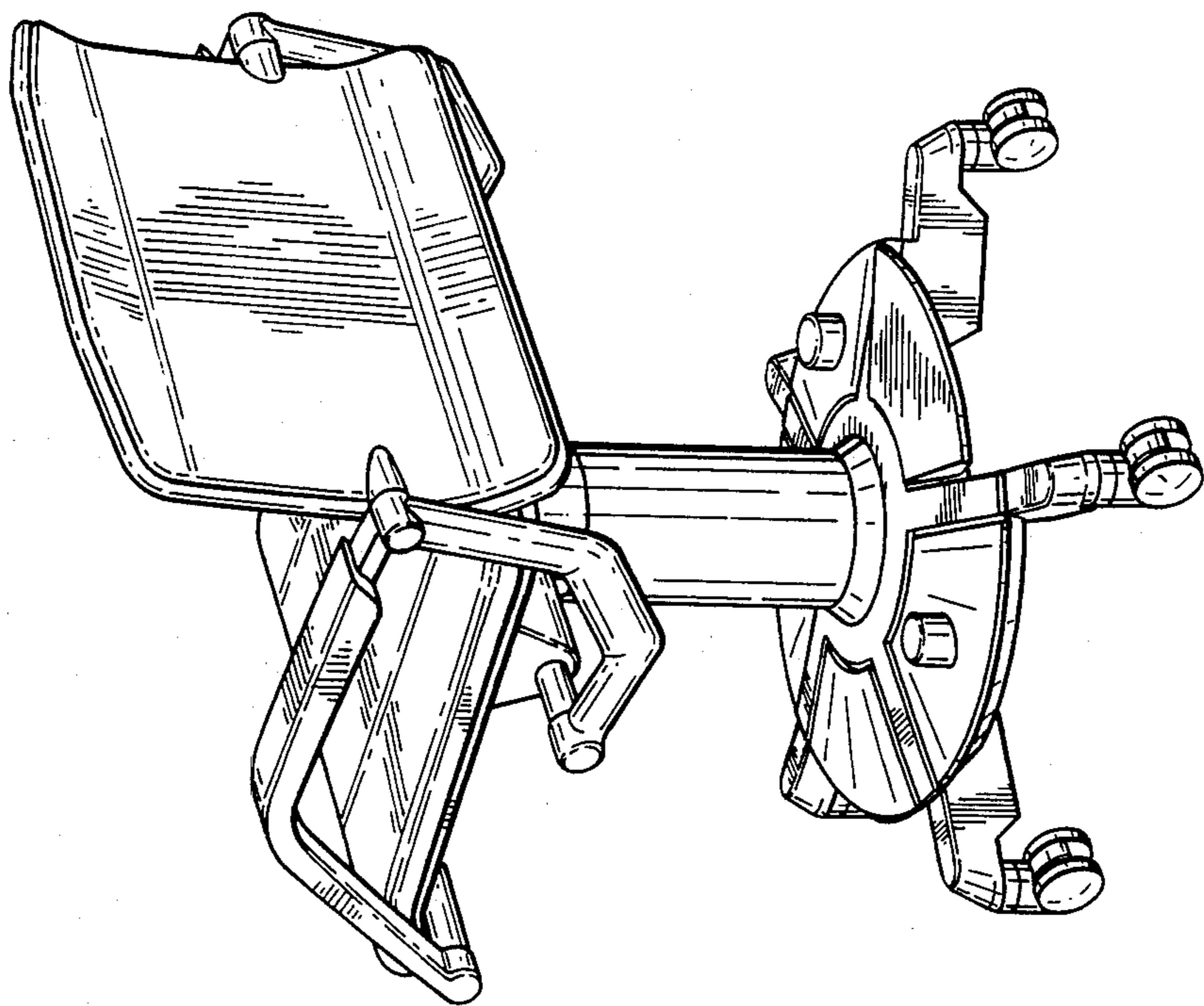


FIG. 1

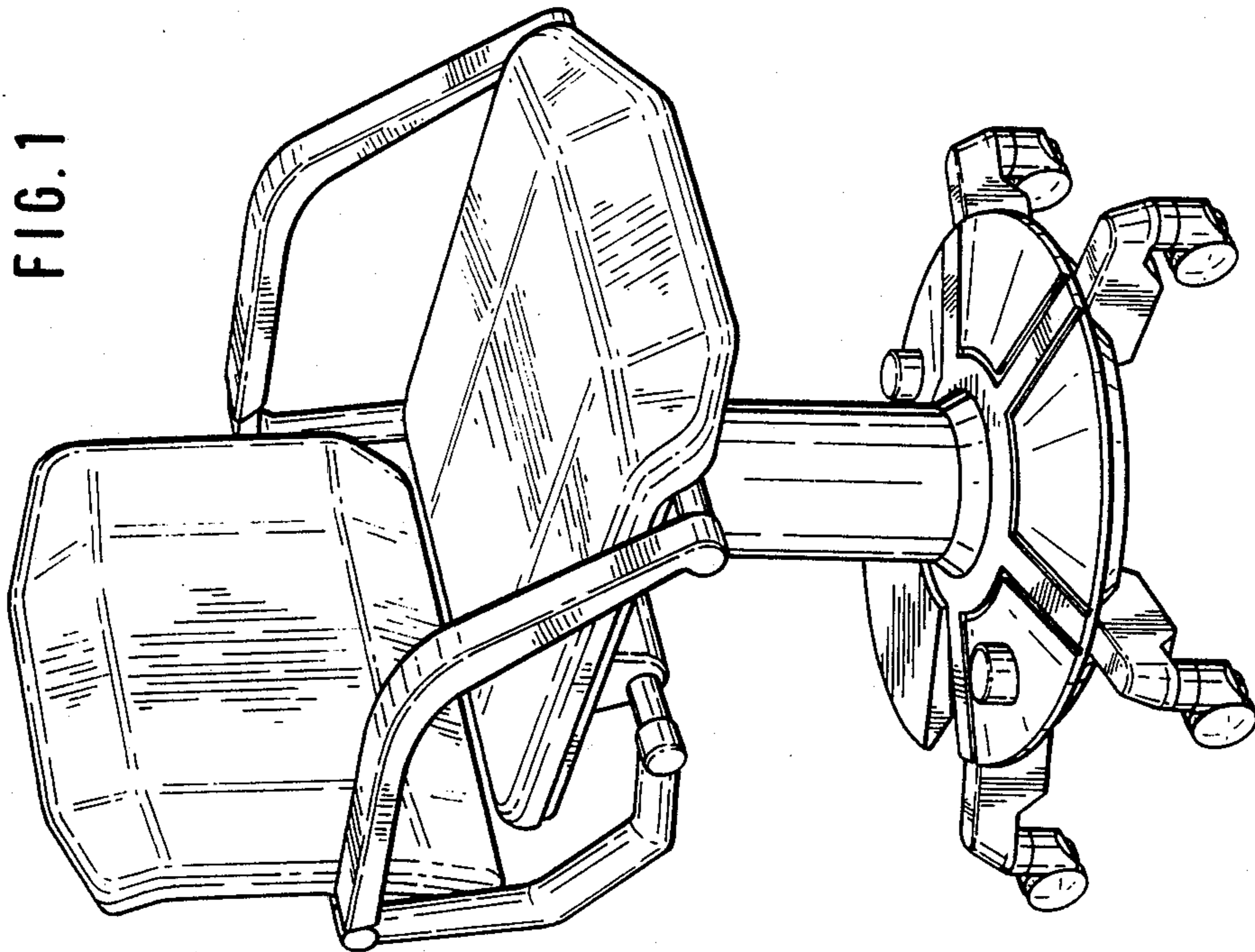


FIG. 4

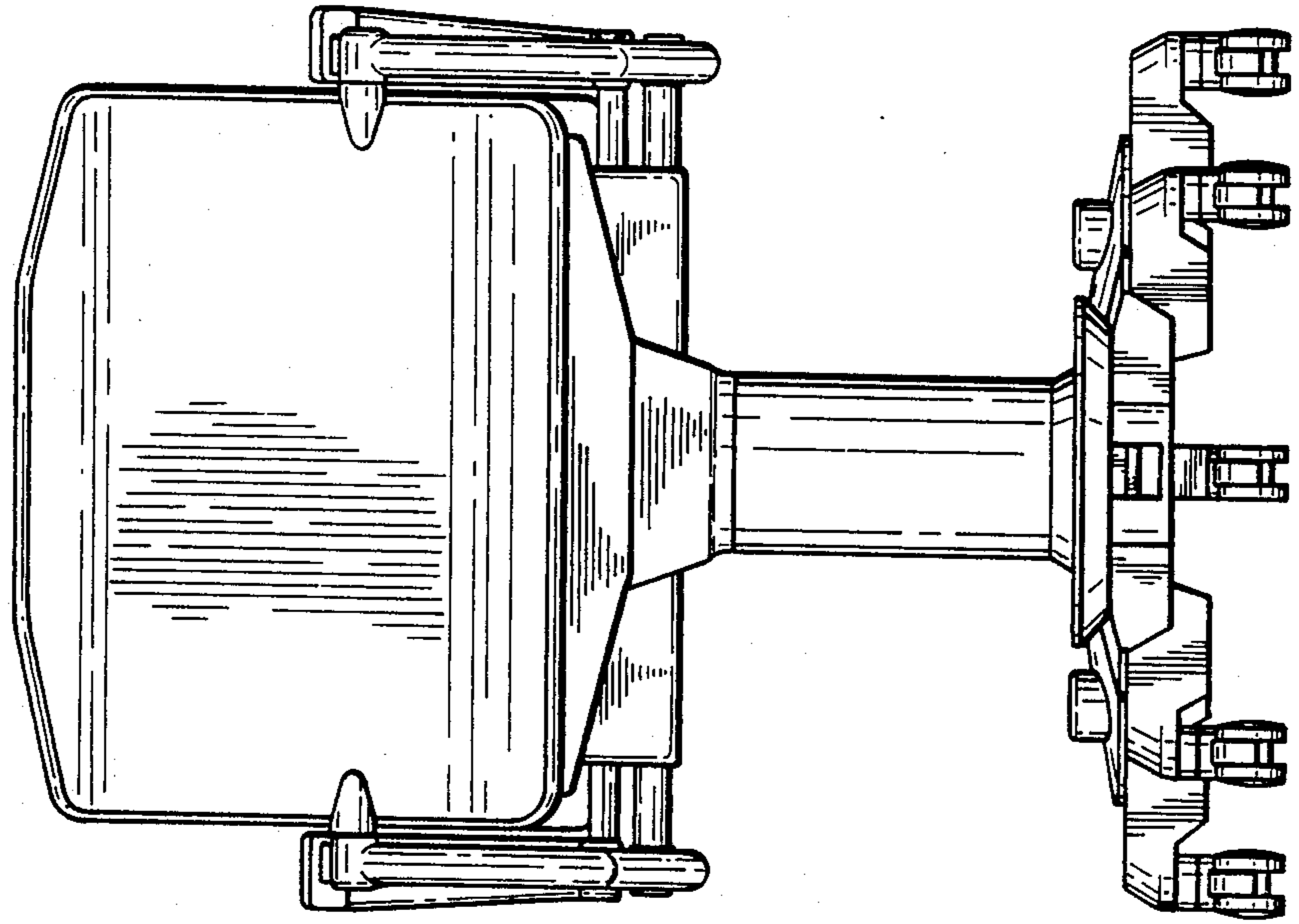
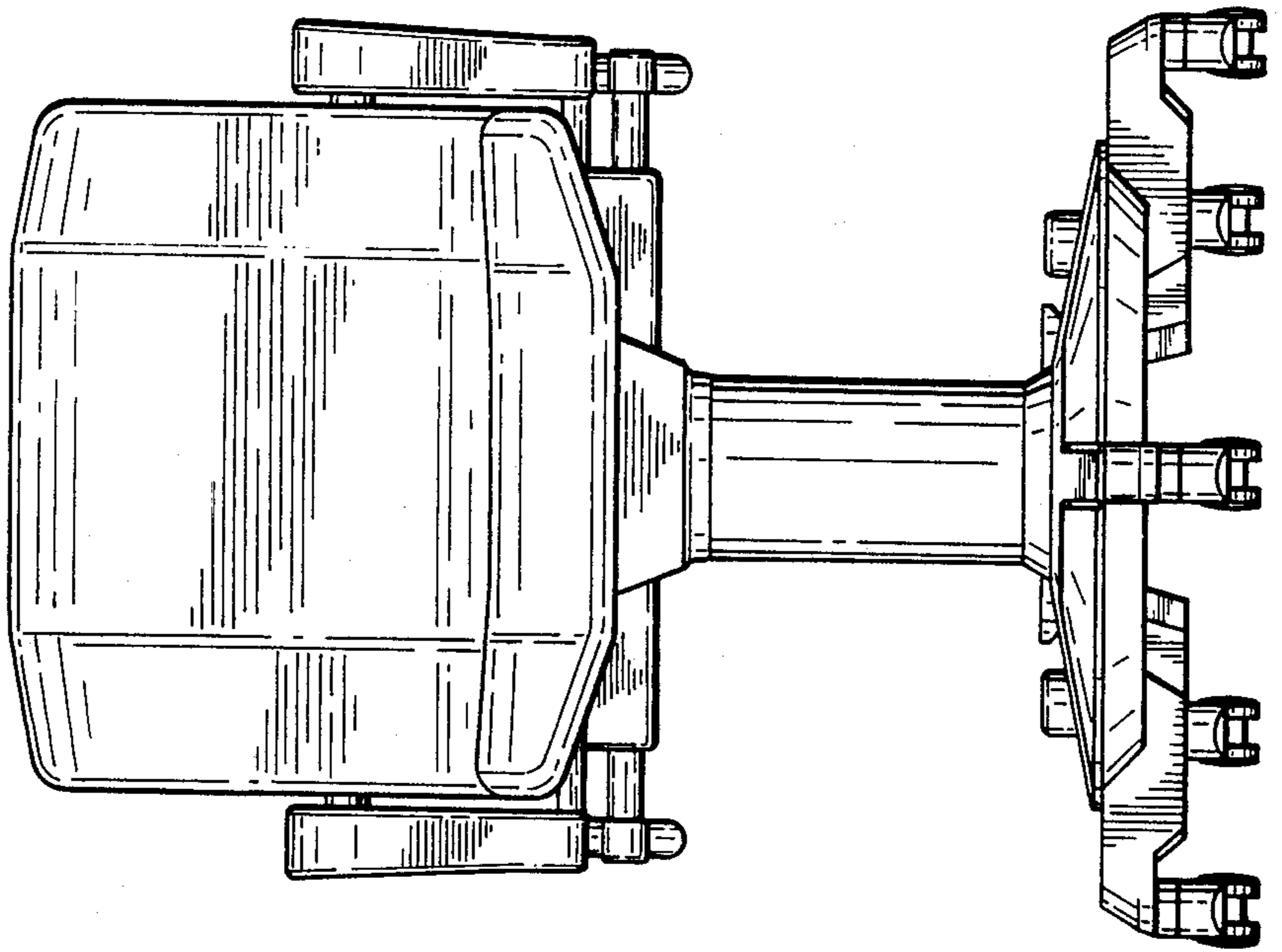


FIG. 3



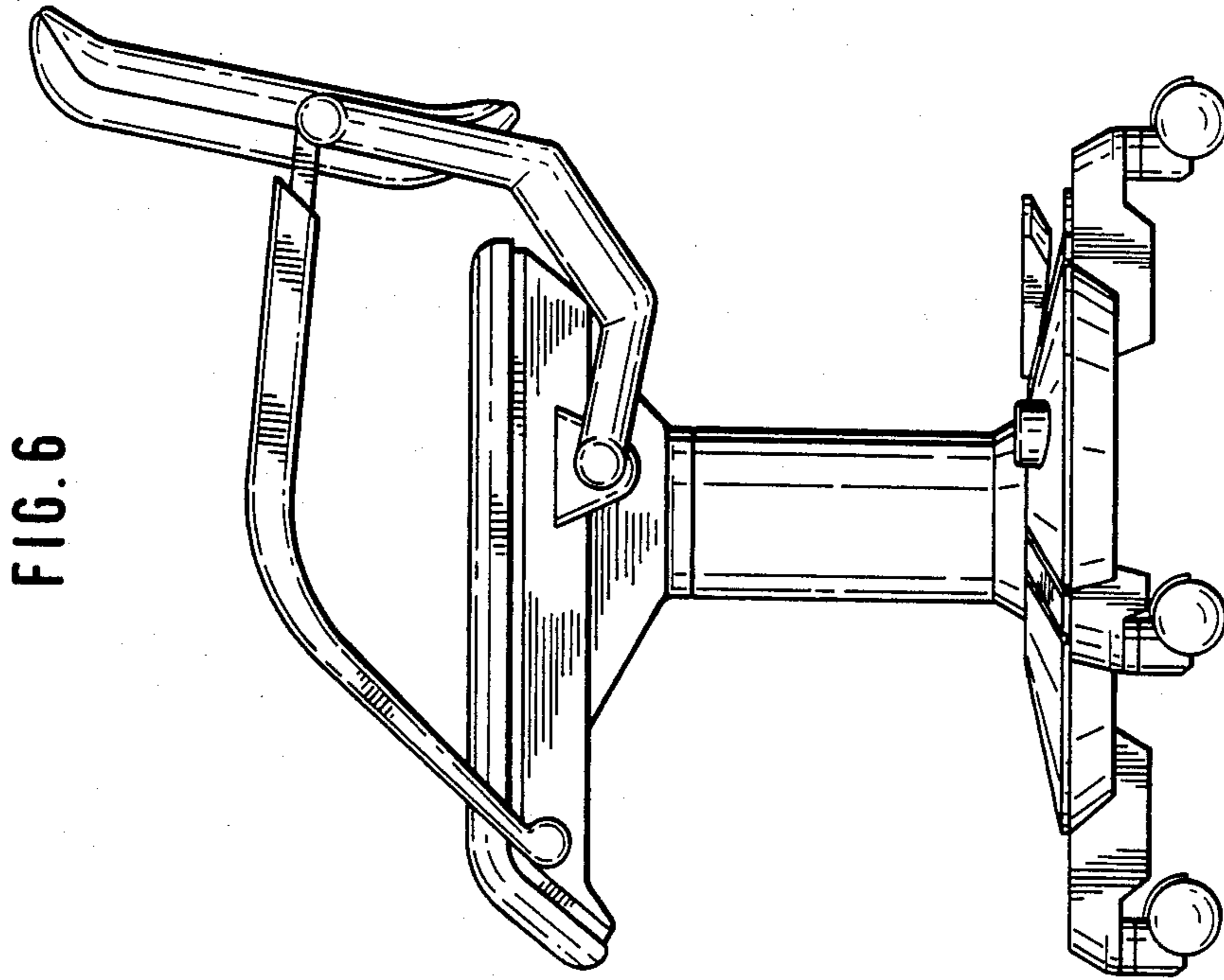


FIG. 6

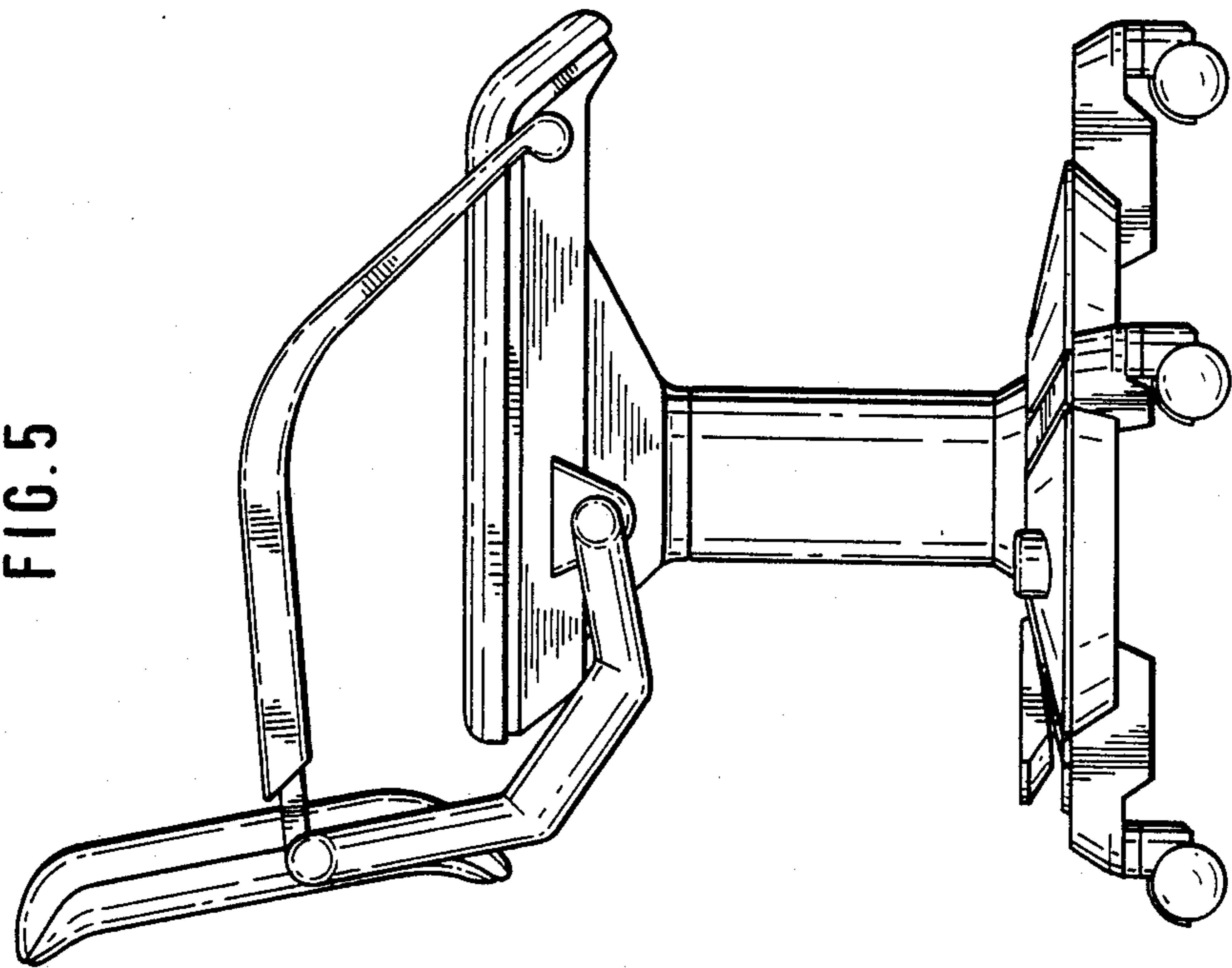


FIG. 5

FIG. 8

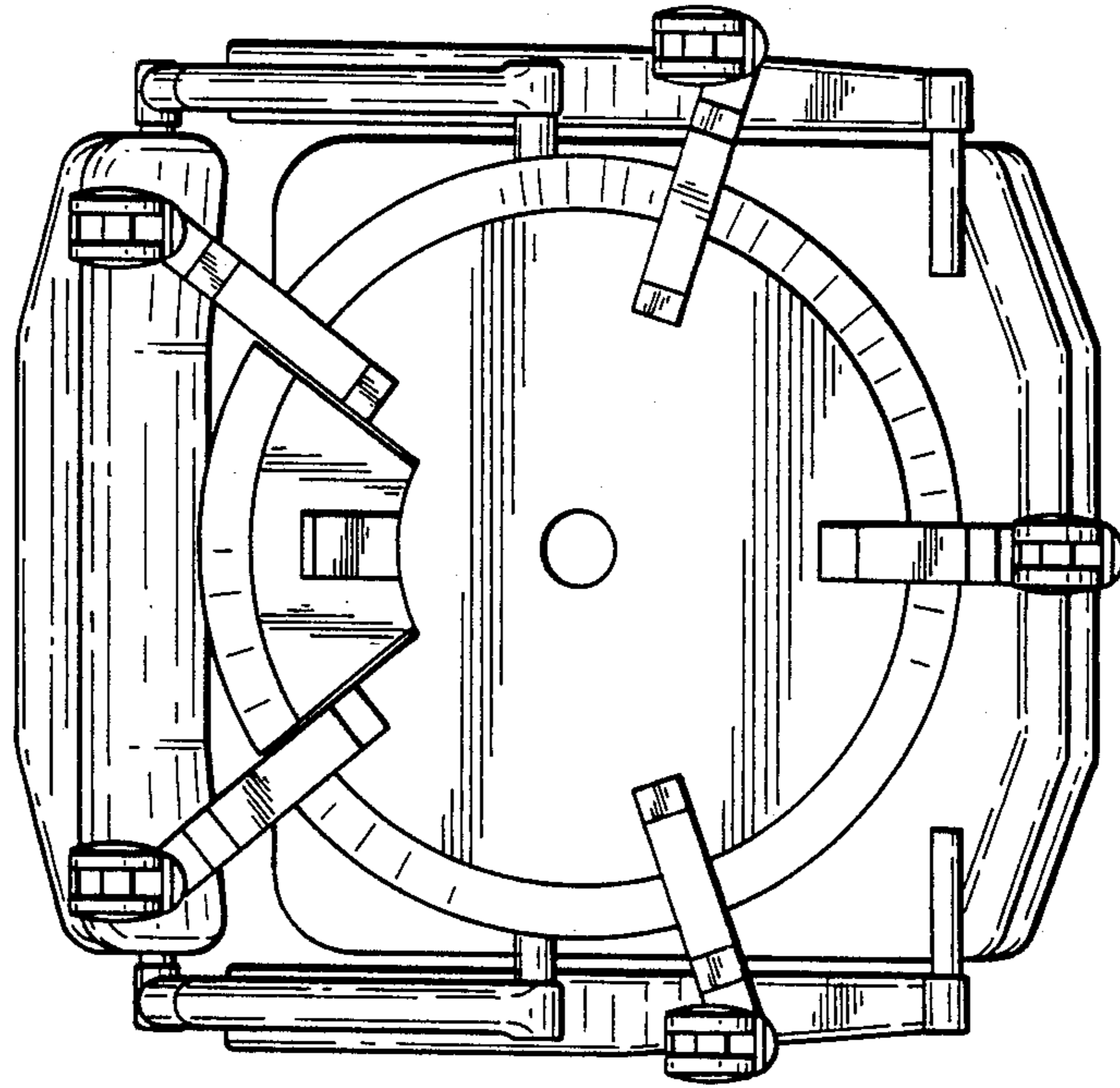


FIG. 7

