

[54] ADJUSTABLE LOUNGE SEAT

[75] Inventor: Yoshikiyo Yamasaki, Osaka, Japan
[73] Assignee: Kabushiki Kaisha Fuji Iryoki, Osaka, Japan

[**] Term: 14 Years

[21] Appl. No.: 893,417

[22] Filed: Aug. 5, 1986

[52] U.S. Cl. D6/361

[58] Field of Search D6/334, 361, 367, 368;
297/19, 21, 320, 377, 440, 445

[56] References Cited

U.S. PATENT DOCUMENTS

D. 209,446	12/1967	Delieuvin	D6/361
D. 233,493	11/1974	Tuttle	D6/361
555,859	3/1896	Hall	5/74 X
2,724,428	11/1955	Sellner	297/320
2,994,093	8/1961	Wagner	272/144 X
3,589,715	6/1971	Mark	272/144
4,234,226	11/1980	Colby	297/21
4,295,683	10/1981	Dubbink et al.	297/377
4,341,378	7/1982	Agyagos	272/144 X
4,539,455	9/1985	Coluto et al.	108/19 X

FOREIGN PATENT DOCUMENTS

1244368	9/1960	France	297/19
2514240	4/1983	France	297/19
110030	8/1979	Japan	272/144
416184	9/1934	United Kingdom	108/19

Primary Examiner—Bruce W. Dunkins
Attorney, Agent, or Firm—Flynn, Thiel, Boutell & Tanis

[57] CLAIM

The ornamental design for a adjustable lounge seat, as shown and described.

DESCRIPTION

FIG. 1 is a front perspective view of an adjustable lounge seat showing my new design;
FIG. 2 is a side elevational view;
FIG. 3 is an elevational view showing the side opposite that shown in FIG. 3;
FIG. 4 is a rear elevational view;
FIG. 5 is a front elevational view;
FIG. 6 is a top plan view;
FIG. 7 is a bottom plan view;
FIG. 8 is a side elevational view showing the seat adjusted to an alternate position; and
FIG. 9 is a side elevational view showing the seat adjusted to a second alternate position.

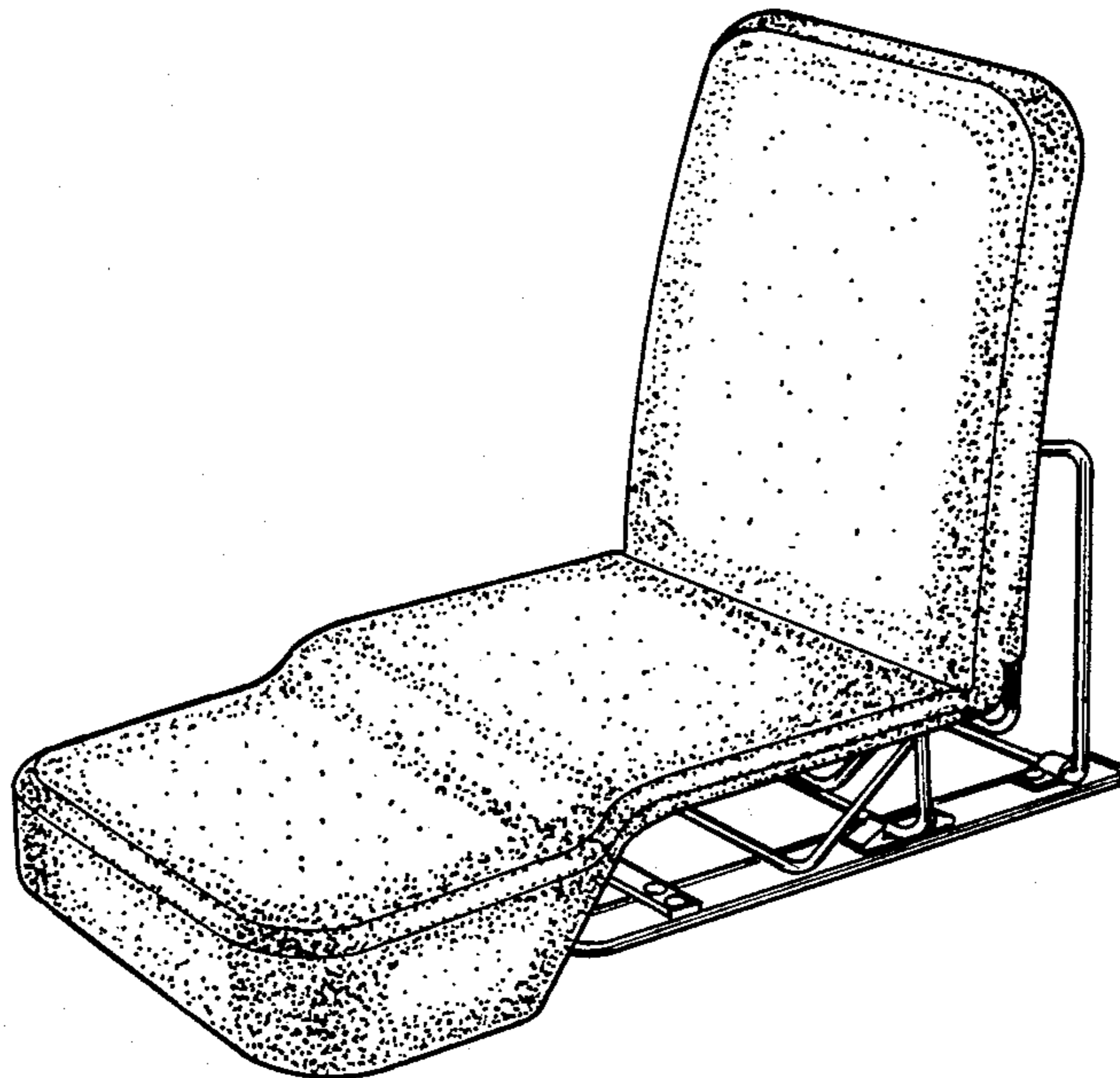


FIG. 1

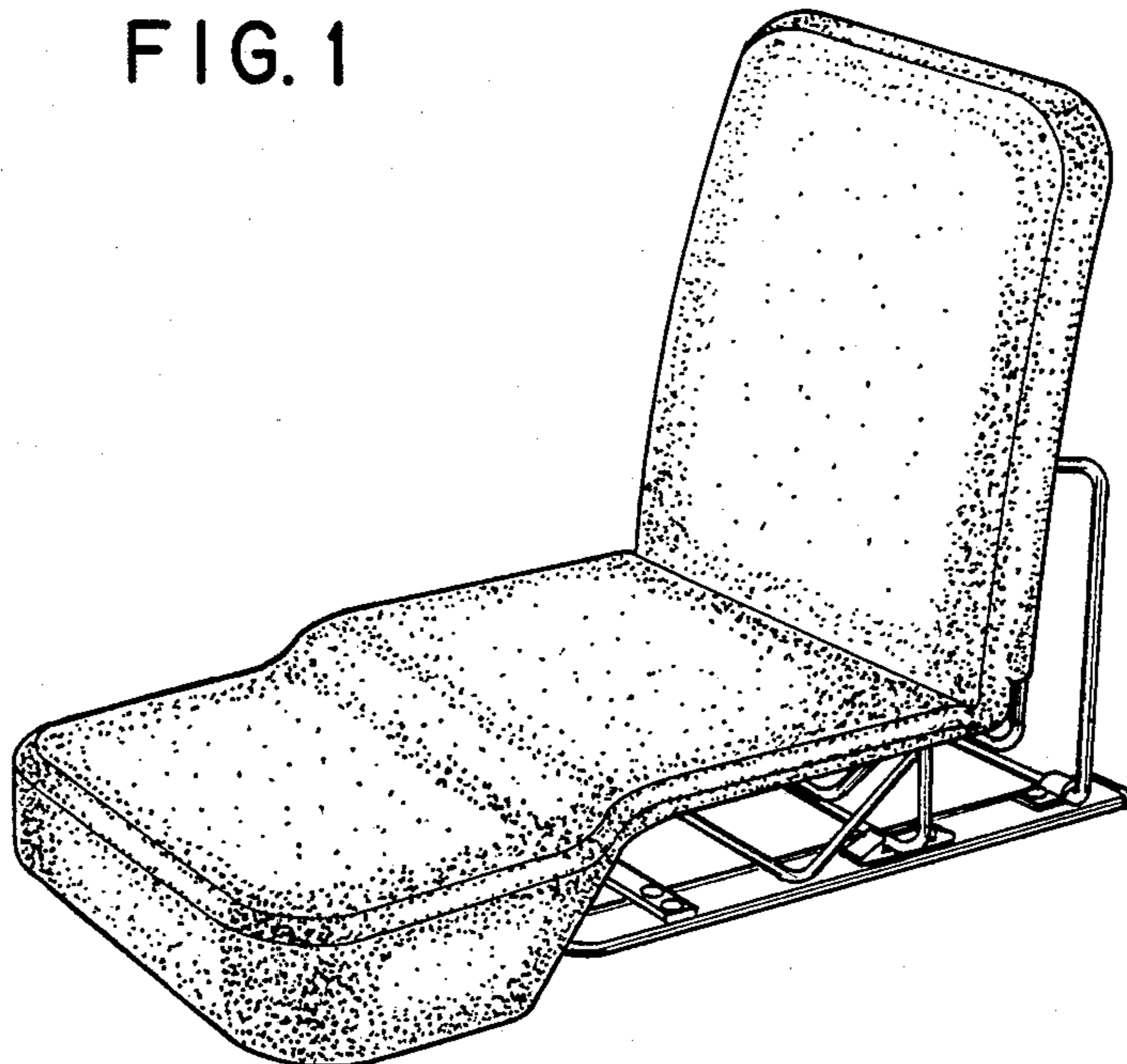


FIG. 2

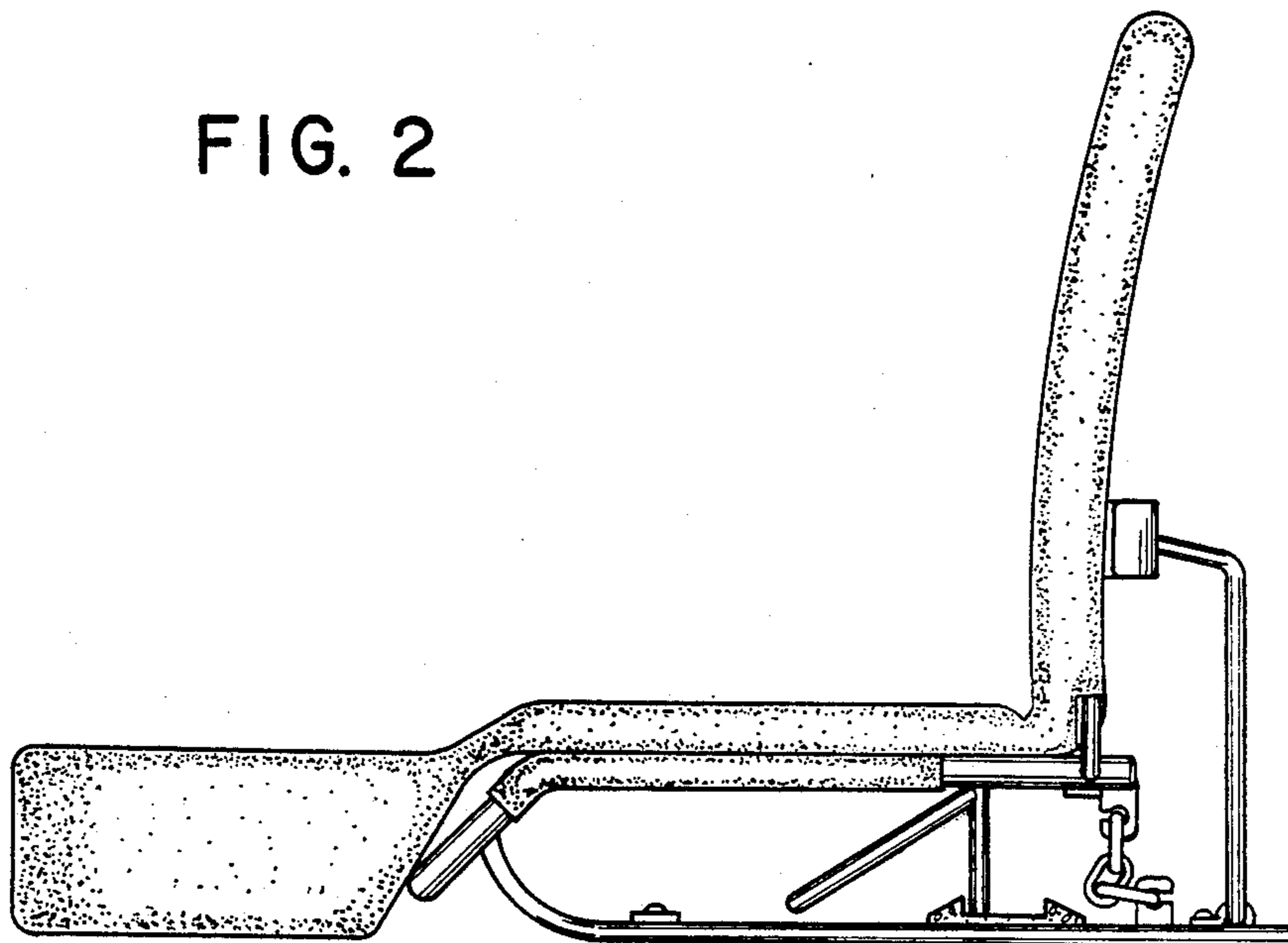


FIG. 3

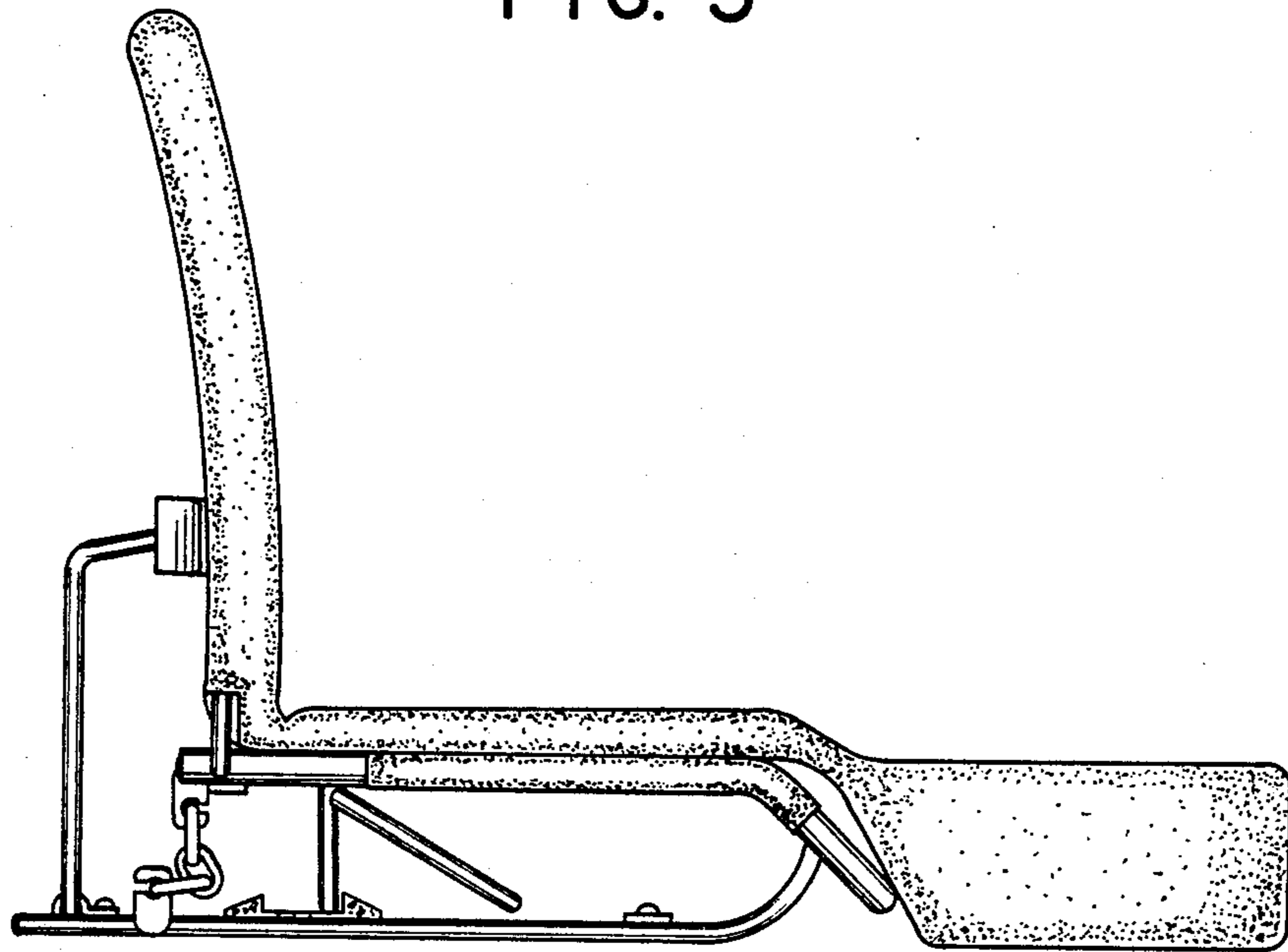


FIG. 4

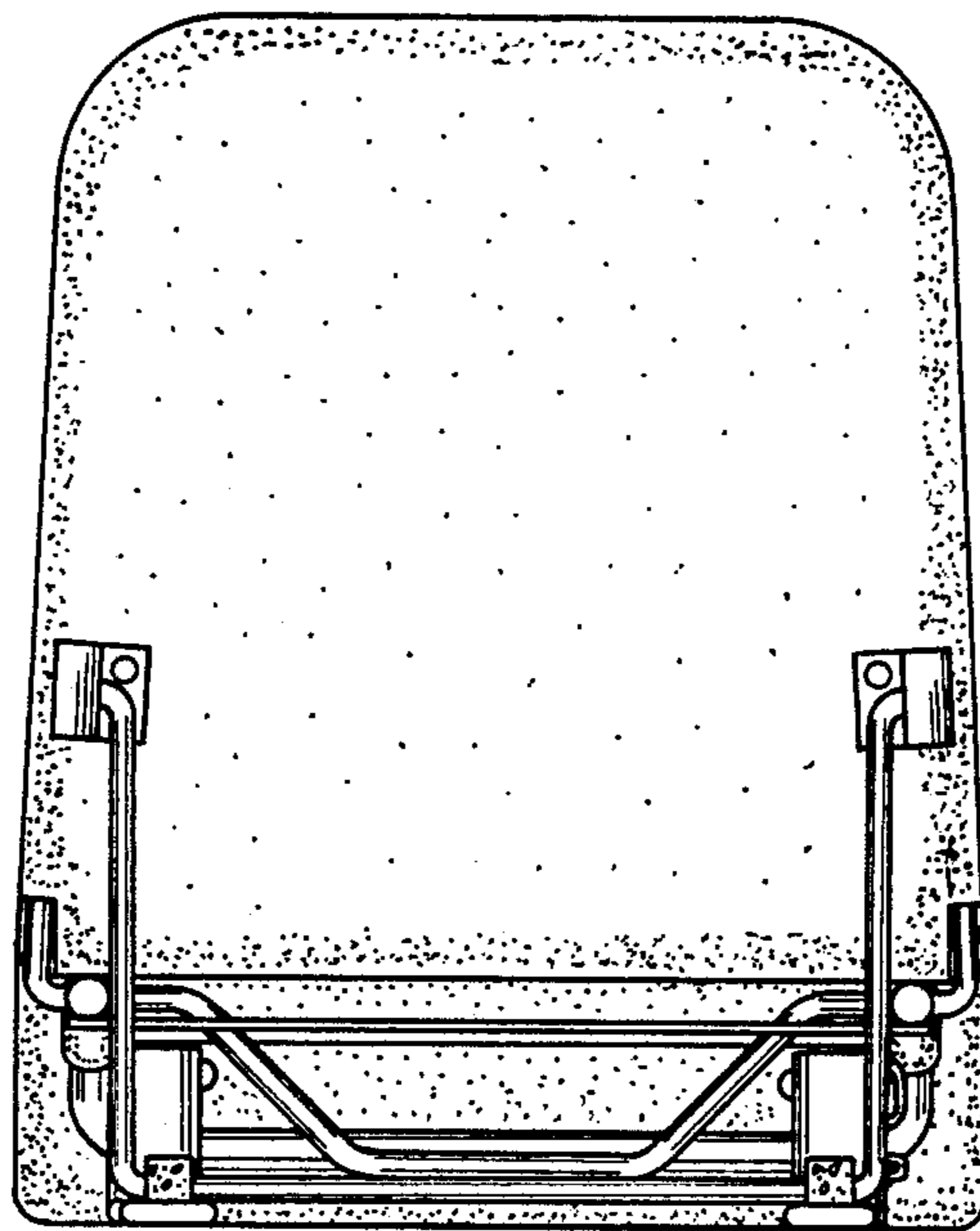


FIG. 5

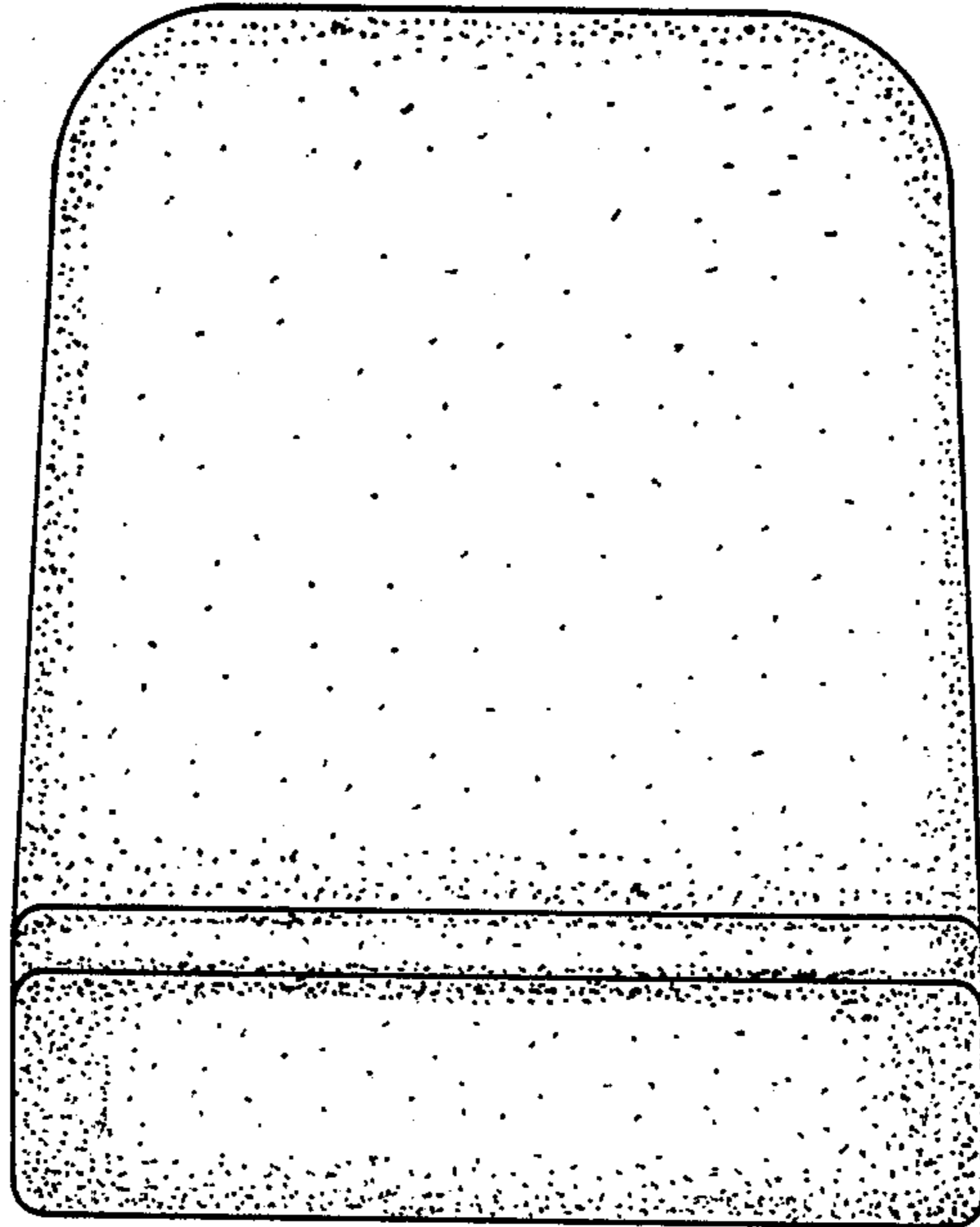


FIG. 6

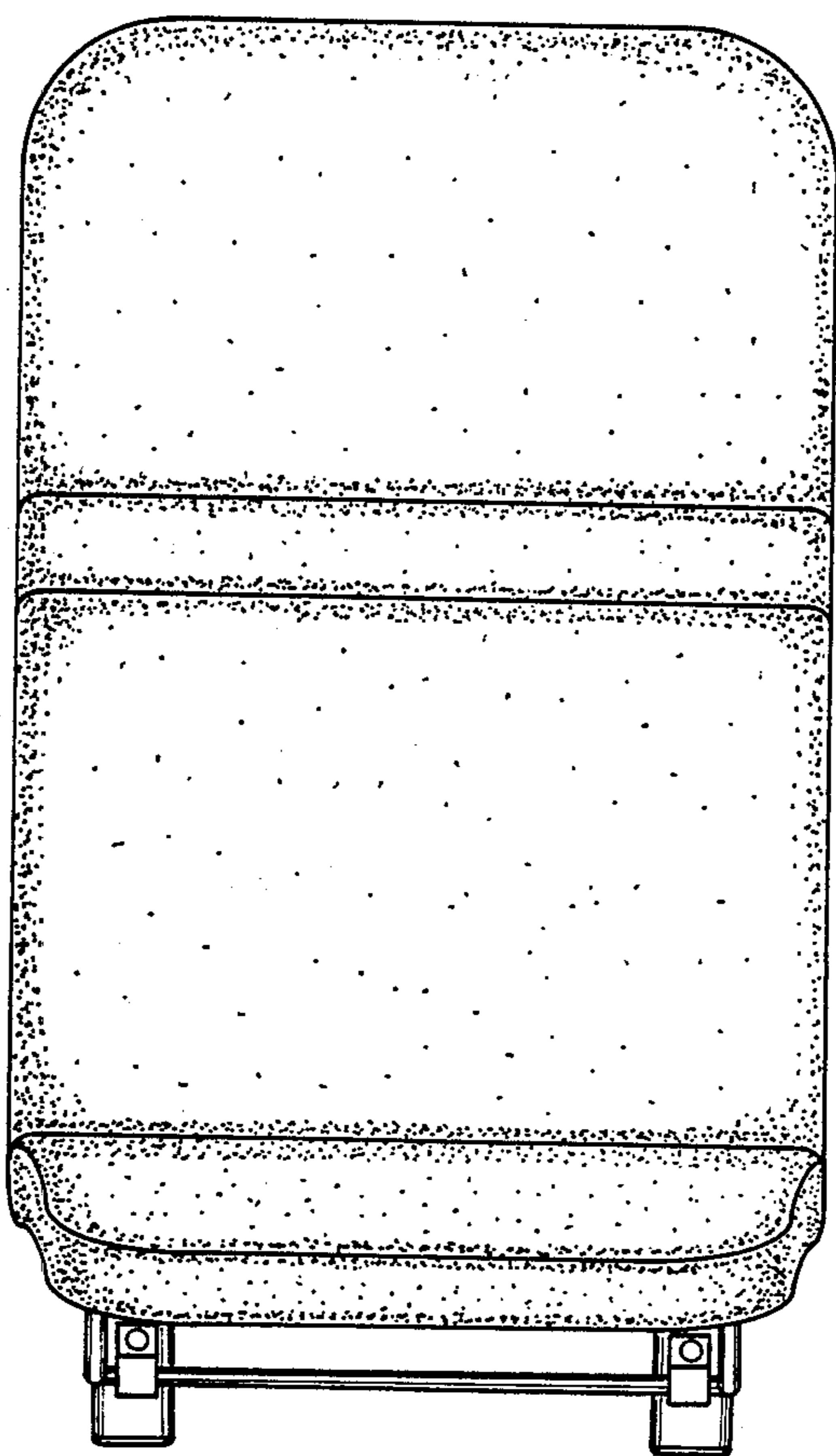


FIG. 7

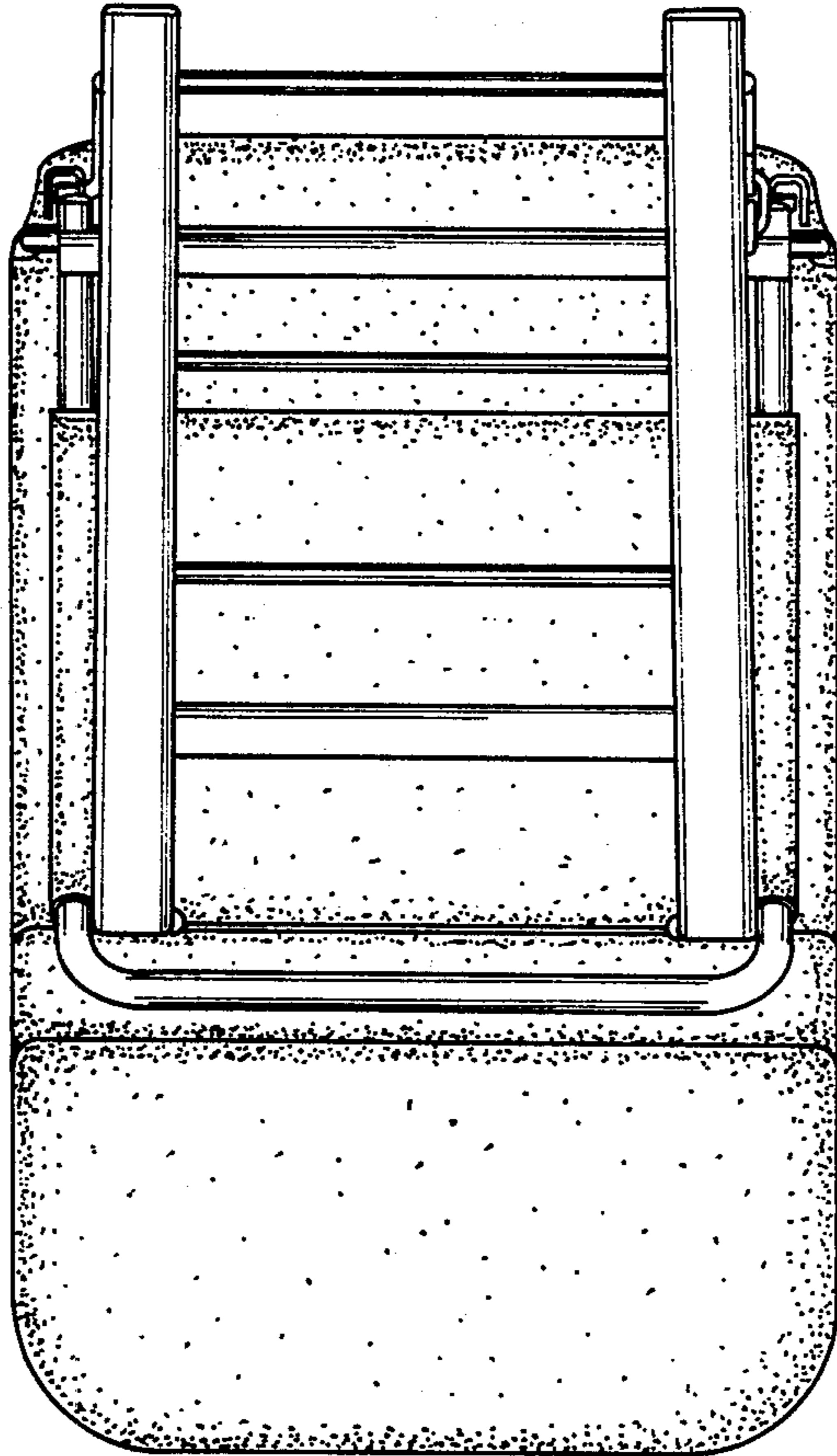
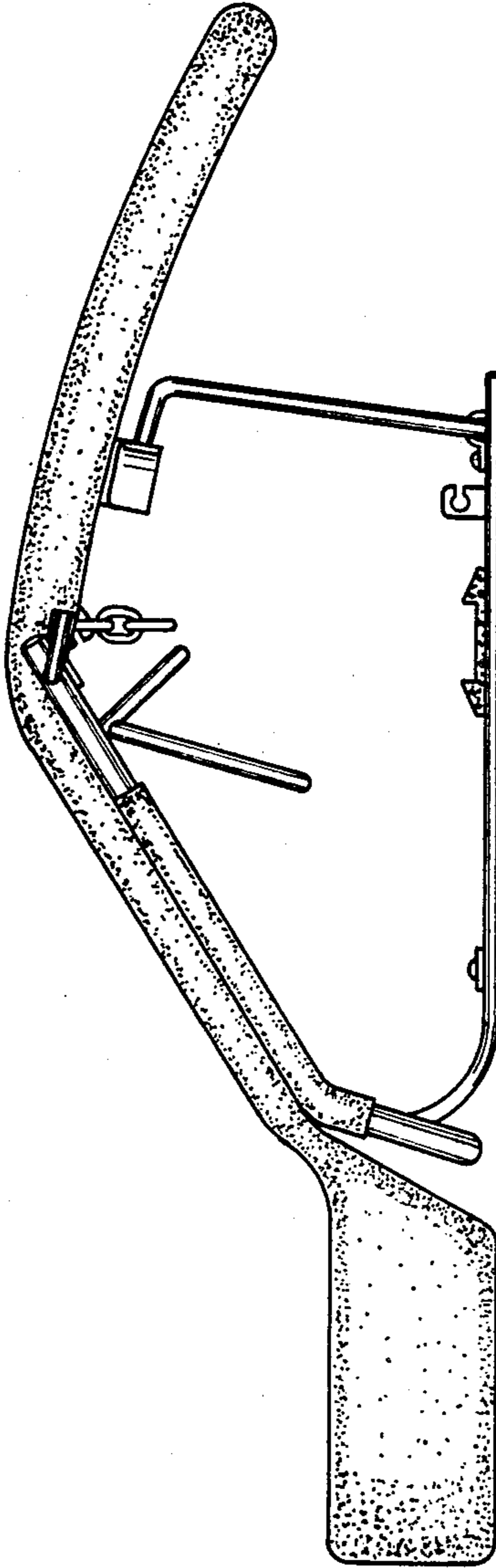


FIG. 8



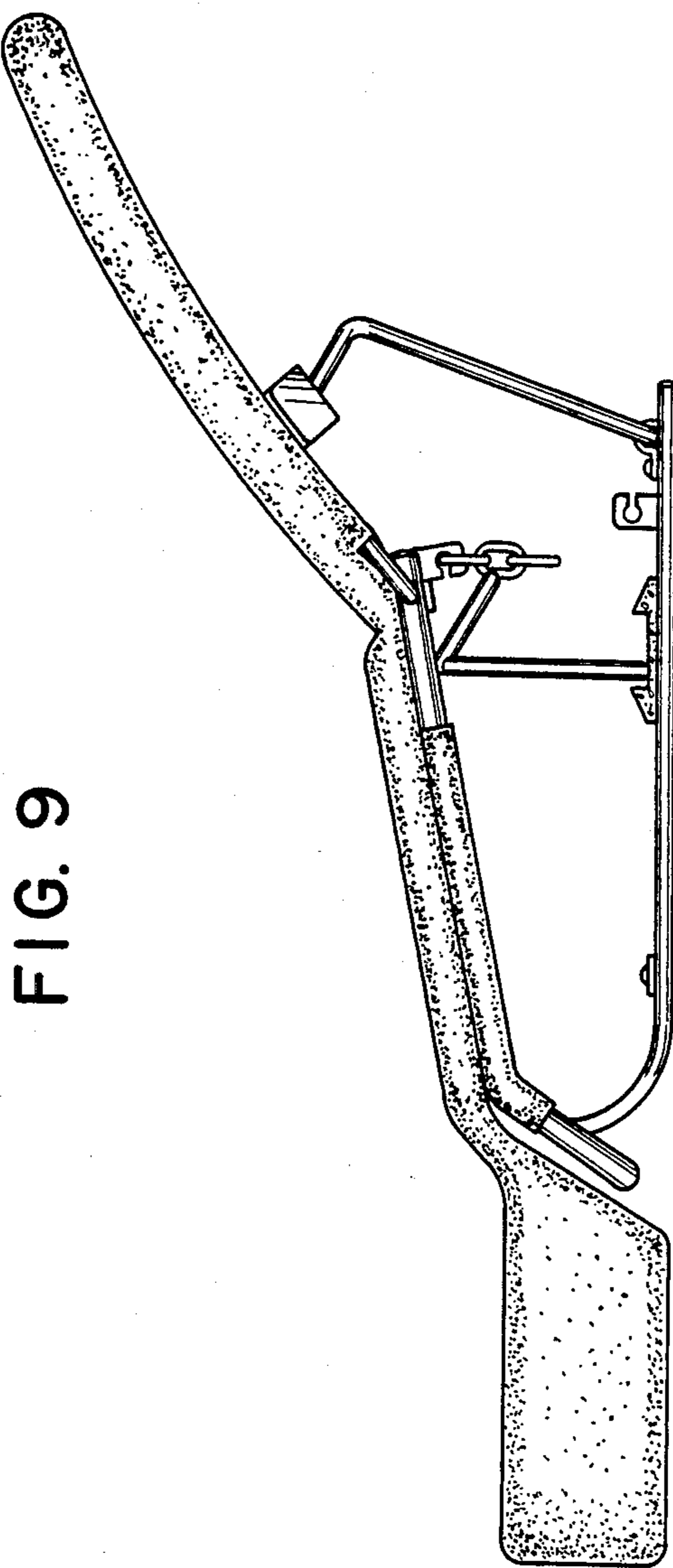


FIG. 9