

United States Patent [19]

Ambasz

[11] Patent Number: Des. 300,691

[45] Date of Patent: ** Apr. 18, 1989

[54] COMBINED TOOTHBRUSH AND CONTAINER THEREFOR

[76] Inventor: Emilio Ambasz, 295, Central Park West, New York, N.Y. 10024

[**] Term: 14 Years

[21] Appl. No.: 139,702

[22] Filed: Dec. 30, 1987

[52] U.S. Cl. D4/108

[58] Field of Search D4/100-114;
D24/10-11; 15/106, 110, 159 R, 159 A, 160,
167.1-167.2, 172, 176.1-176.6; 132/121; 30/162

[56] **References Cited**

U.S. PATENT DOCUMENTS

D. 182,171	2/1958	Fredrickson	D4/108
1,434,388	11/1922	Hughes	30/320
1,507,043	9/1924	Blow	30/162 X
2,112,658	3/1938	Rathbun	15/167.1 X
2,678,459	5/1954	Stuckey	15/185

4,233,734 11/1980 Bies 30/162
4,592,140 6/1986 Chasen 30/123.7

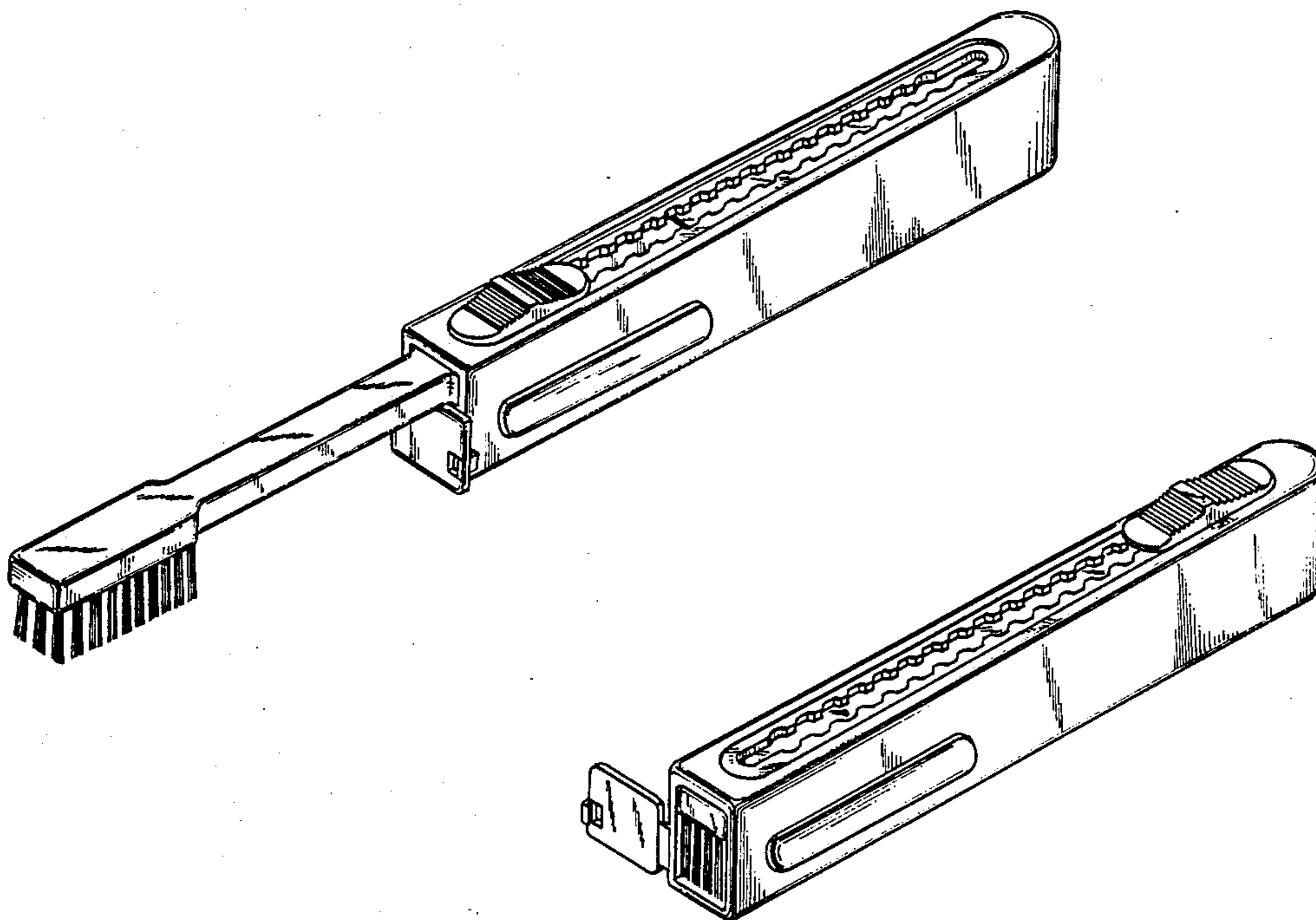
Primary Examiner—Wallace R. Burke
Assistant Examiner—Lavone D. Tabor
Attorney, Agent, or Firm—Ostrolenk, Faber, Gerb & Soffen

[57] **CLAIM**

The ornamental design for a combined toothbrush and container therefor, as shown and described.

DESCRIPTION

FIG. 1 is a perspective view of a combined toothbrush and container therefor embodying my new design; FIG. 2 is a front side elevational view thereof; FIG. 3 is a rear side elevational view thereof; FIG. 4 is a top plan view thereof; FIG. 5 is a bottom plan view thereof; FIG. 6 is a left end elevational view thereof; FIG. 7 is a right end elevational view thereof, and FIG. 8 is a perspective view thereof, shown with the toothbrush enclosed in the container portion.



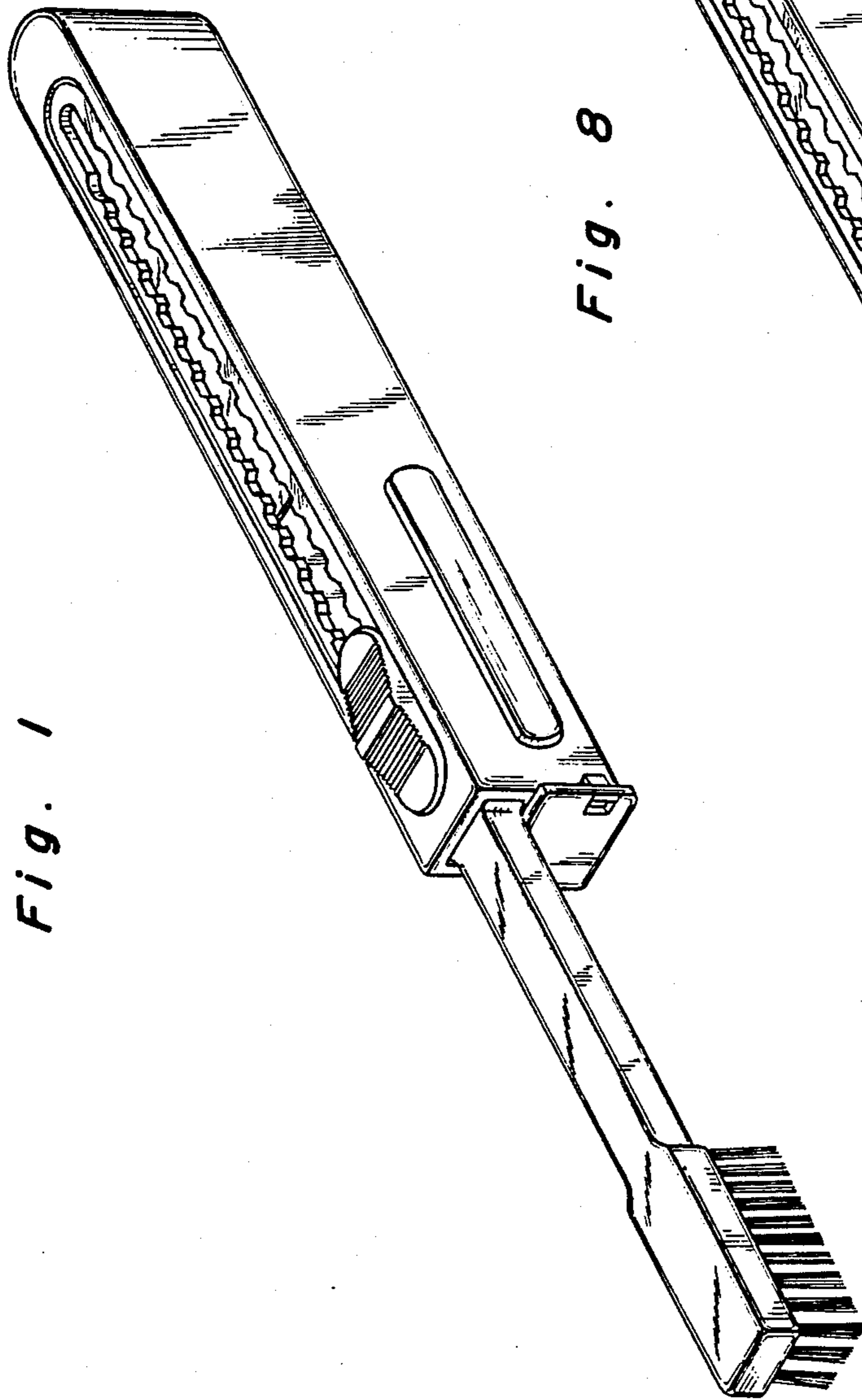


Fig. 1

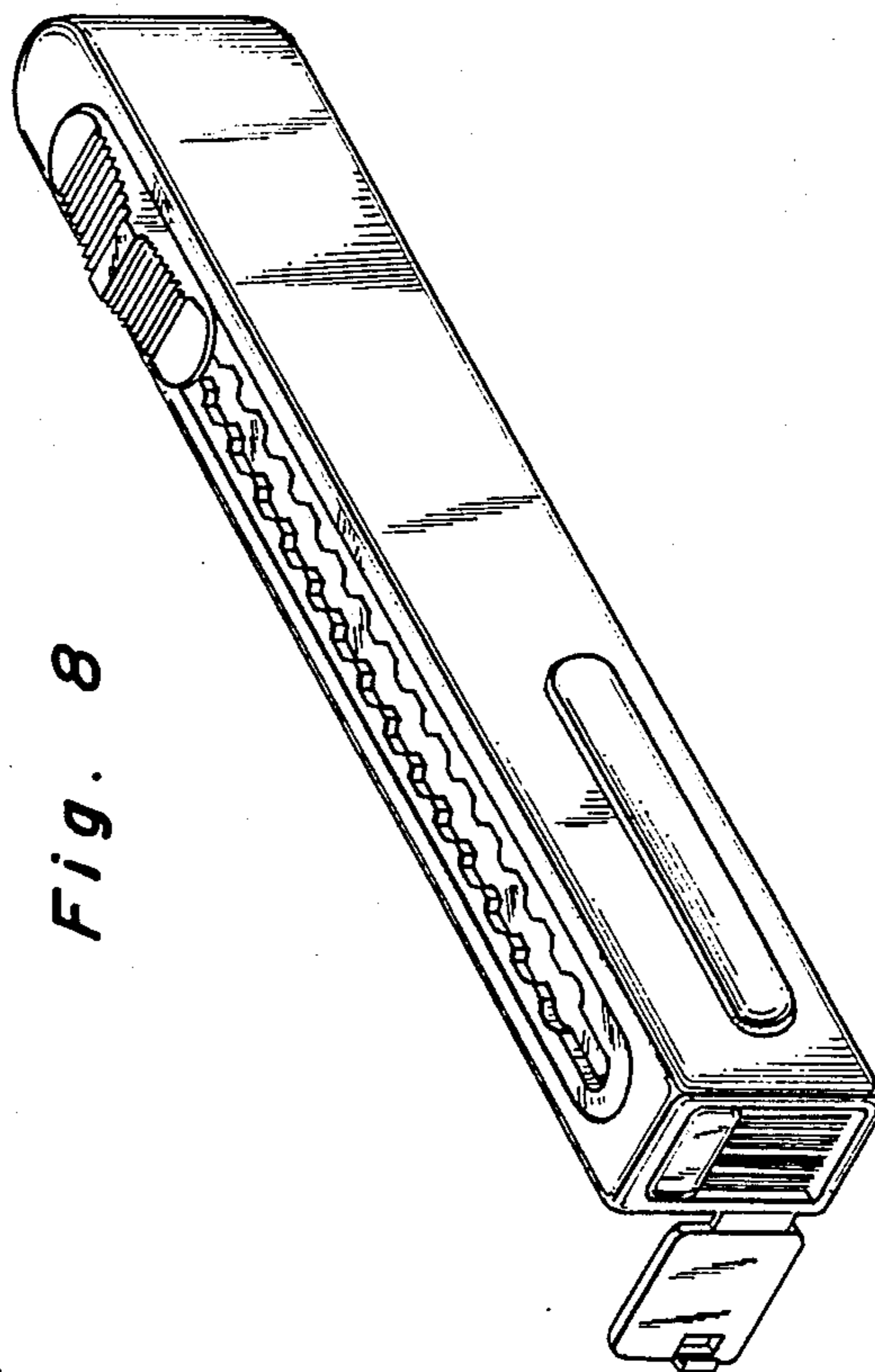


Fig. 8

Fig. 2

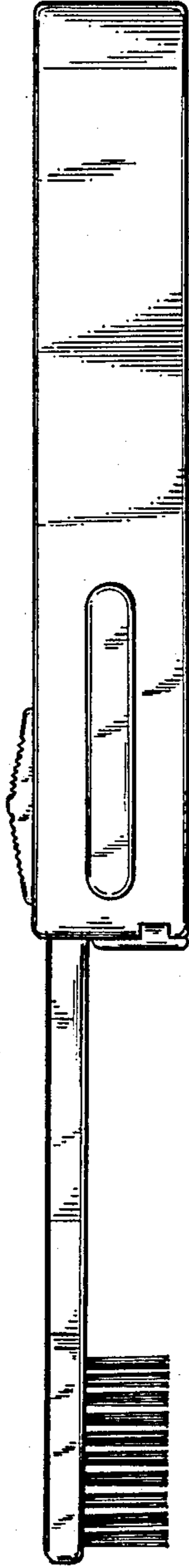


Fig. 3

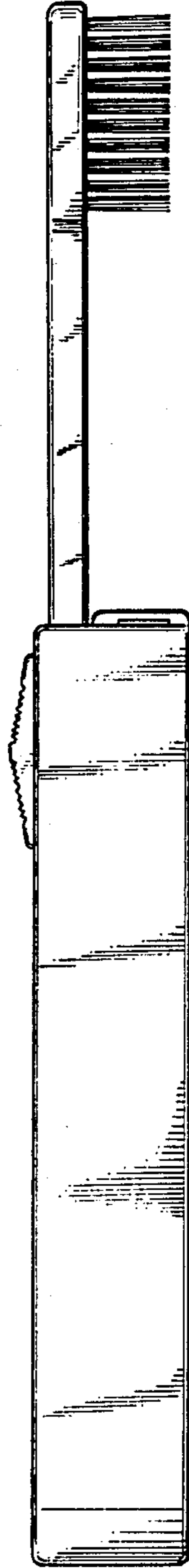


Fig. 4



Fig. 5

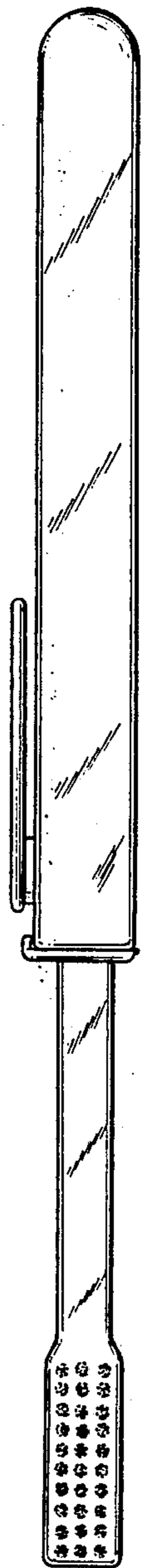


Fig. 6

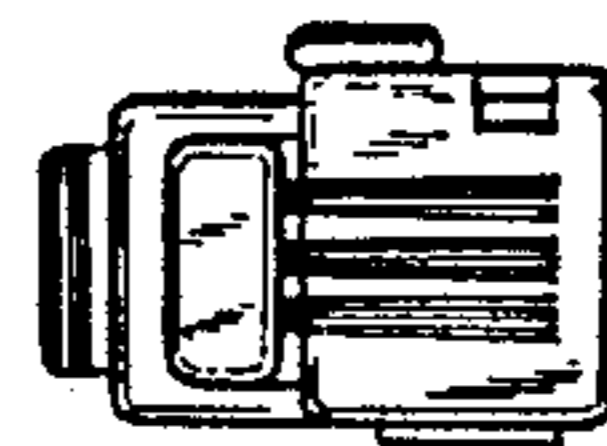


Fig. 7

