

[54] **RE-CHARGING STAND FOR A CORDLESS ELECTRIC IRON**

[75] **Inventor: Jean-Louis Barrault,**  
Boulogne-Billancourt, France

[73] **Assignee: Moulinex, Societe Anonyme,**  
Bagnolet, France

[\*\*] **Term: 14 Years**

[21] **Appl. No.: 127,284**

[22] **Filed: Dec. 1, 1987**

[30] **Foreign Application Priority Data**

Jun. 11, 1987 [FR] France ..... 873465

[52] **U.S. Cl. .... D32/73**

[58] **Field of Search .... D32/68-73;**  
38/69, 74, 88; 219/245, 254, 271, 273, 275

[56] **References Cited**

**U.S. PATENT DOCUMENTS**

D. 283,069 3/1986 Dobson et al. .... D32/73  
D. 283,932 5/1986 Dobson et al. .... D32/68  
D. 290,898 7/1987 Babros et al. .... D32/70 X  
D. 291,016 7/1987 Babros et al. .... D32/73

*Primary Examiner*—Wallace R. Burke  
*Assistant Examiner*—Brian N. Vinson  
*Attorney, Agent, or Firm*—Young & Thompson

[57] **CLAIM**

The ornamental design for a re-charging stand for a cordless electric iron, as shown and described.

**DESCRIPTION**

FIG. 1 is a top and side perspective view of a re-charging stand for a cordless electric iron, the undisclosed side being identical in appearance;  
FIG. 2 is a top plan view thereof; and  
FIG. 3 is a bottom plan view thereof.

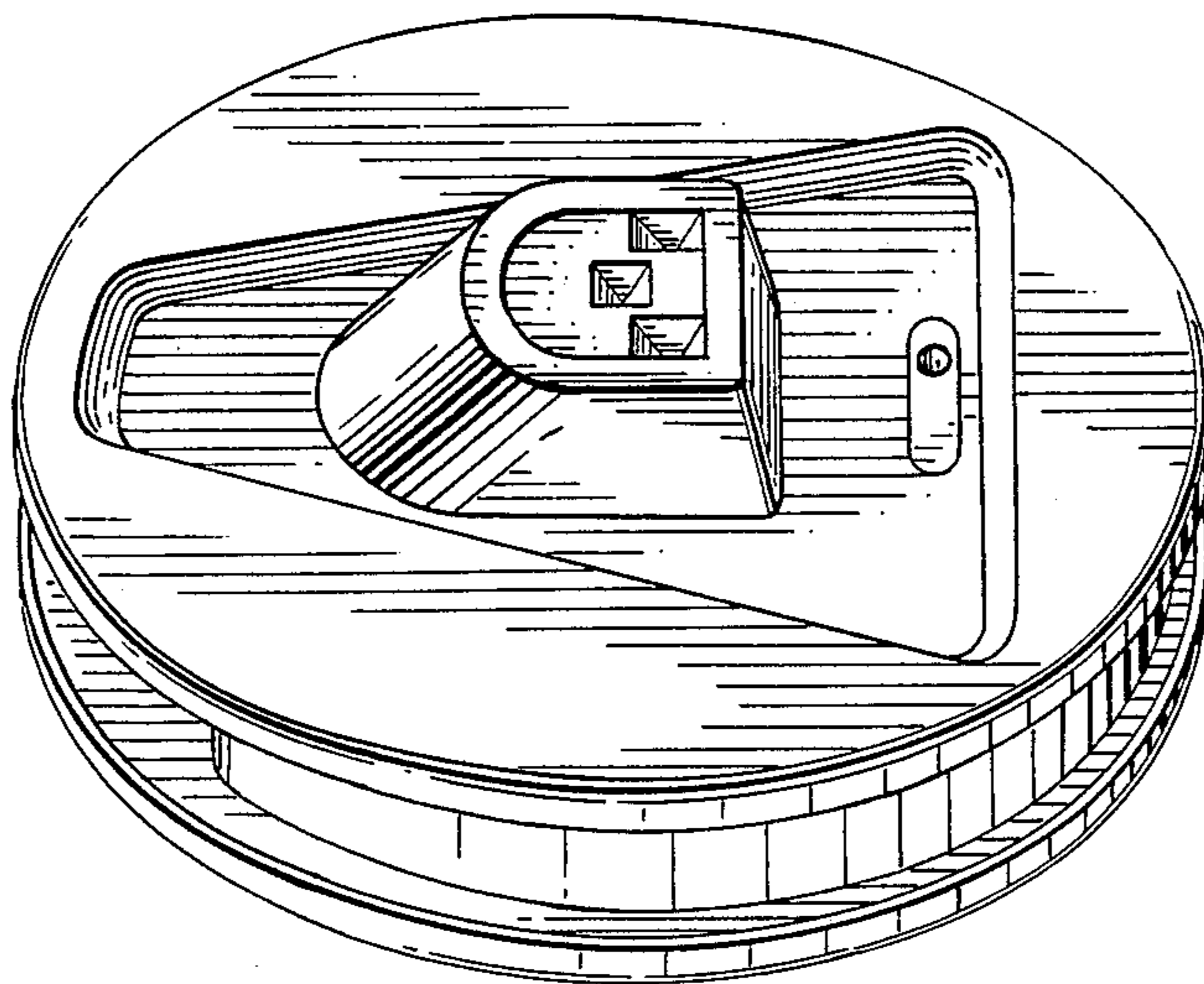


FIG. 1

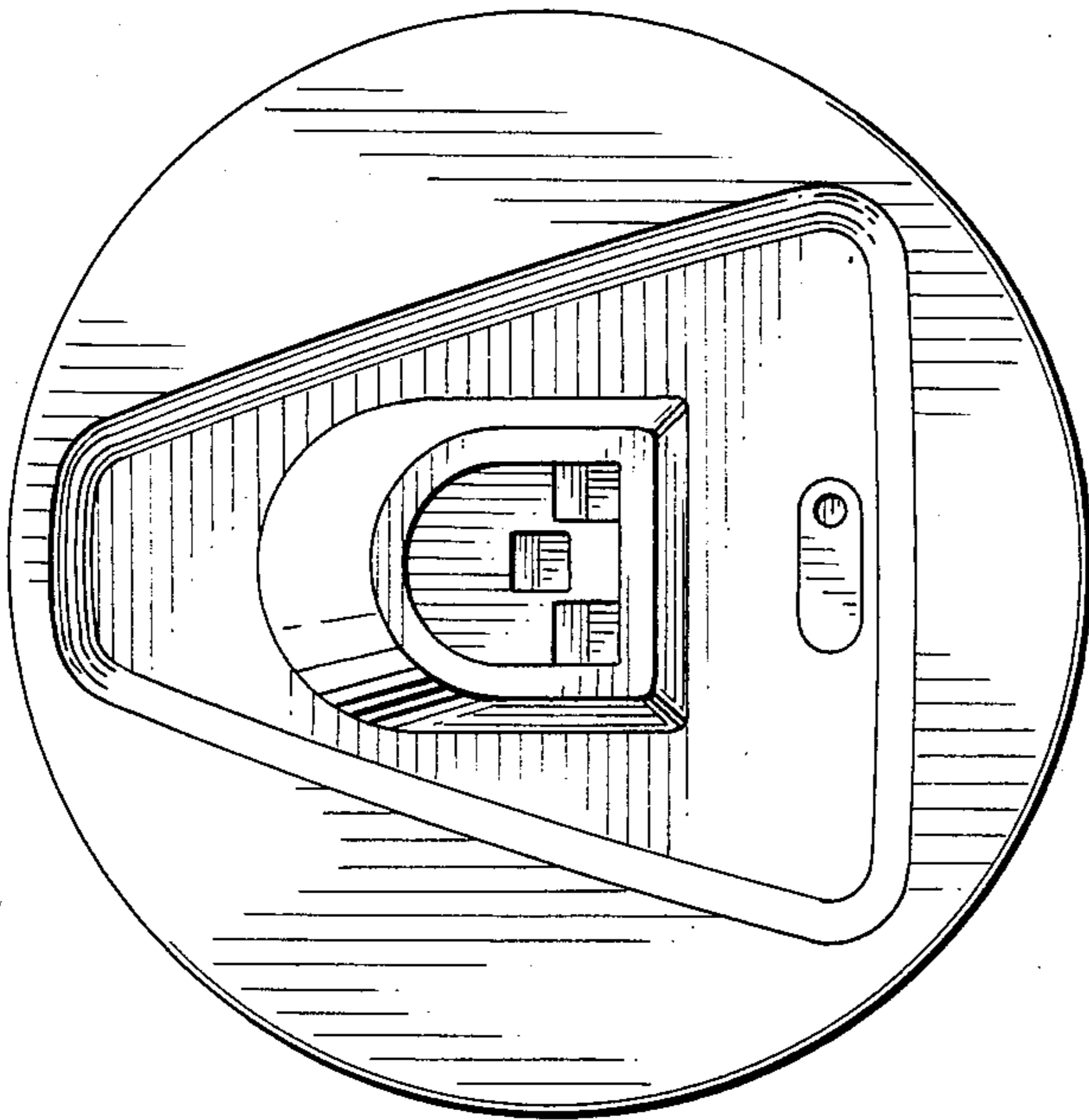
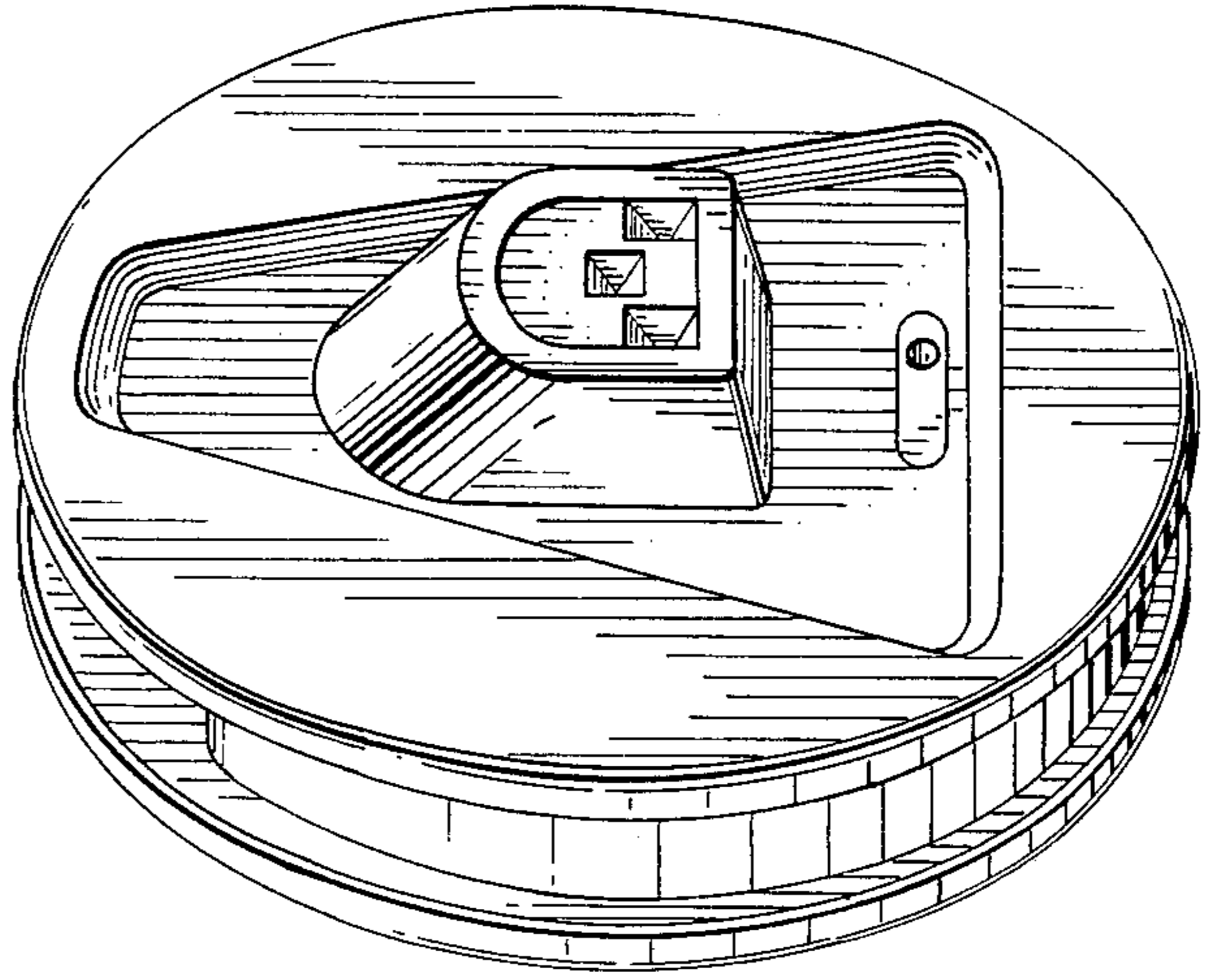


FIG. 2

FIG. 3

