

United States Patent [19]

Van Hoyo

[11] Patent Number: **Des. 300,677**

[45] Date of Patent: **** Apr. 11, 1989**

[54] **ULTRASONIC CLEANER**

[75] Inventor: **Michael Van Hoyo, Anaheim Hills, Calif.**

[73] Assignee: **Identechs Corporation, Dallas, Tex.**

[**] Term: **14 Years**

[21] Appl. No.: **942,613**

[22] Filed: **Dec. 15, 1986**

[52] U.S. Cl. **D32/1**

[58] Field of Search **D32/1-2, D32/5, 30; D9/420, 430, 432, 352-353, 423; 134/56 R, 57 R, 184, 117-118, 102; 366/127**

[56] **References Cited**

U.S. PATENT DOCUMENTS

D. 204,306 4/1966 Hamm D32/1
D. 213,637 3/1969 Ross D32/2

D. 219,167 11/1970 Rissolo D32/1
D. 261,423 10/1981 Geissler D32/1
D. 266,794 11/1982 Puskas et al. D32/1
D. 281,539 11/1985 Harrison D32/1

Primary Examiner—Bruce W. Dunkins
Assistant Examiner—Ruth Takemoto
Attorney, Agent, or Firm—William L. Chapin

[57] **CLAIM**

The ornamental design for an ultrasonic cleaner, as shown.

DESCRIPTION

FIG. 1 is a perspective view of an ultrasonic cleaner, showing my new design;

FIG. 2 is a front elevational view thereof;

FIG. 3 is a rear elevational view thereof;

FIG. 4 is a top plan view thereof; and

FIG. 5 is a side elevational view thereof.

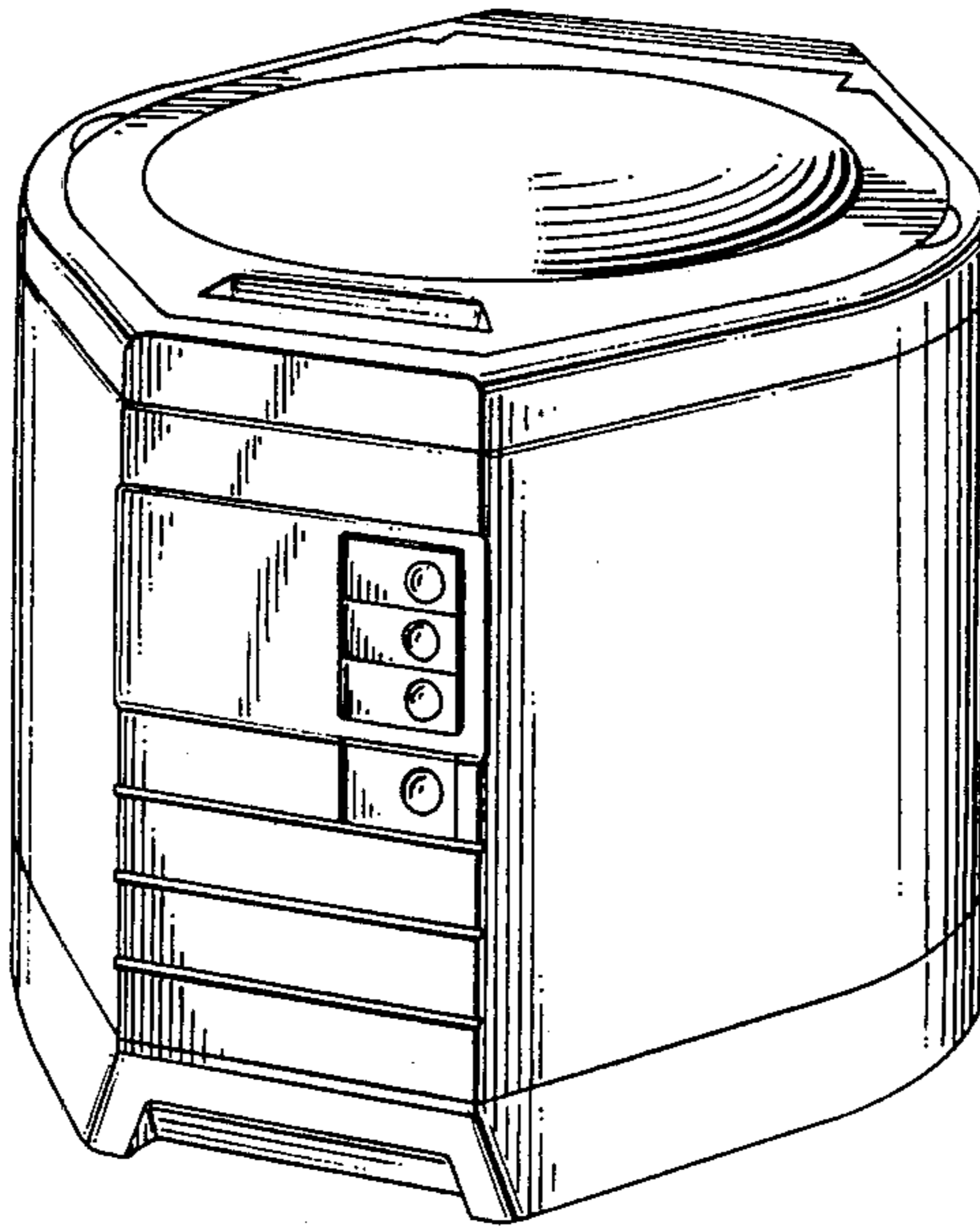


FIG. 1

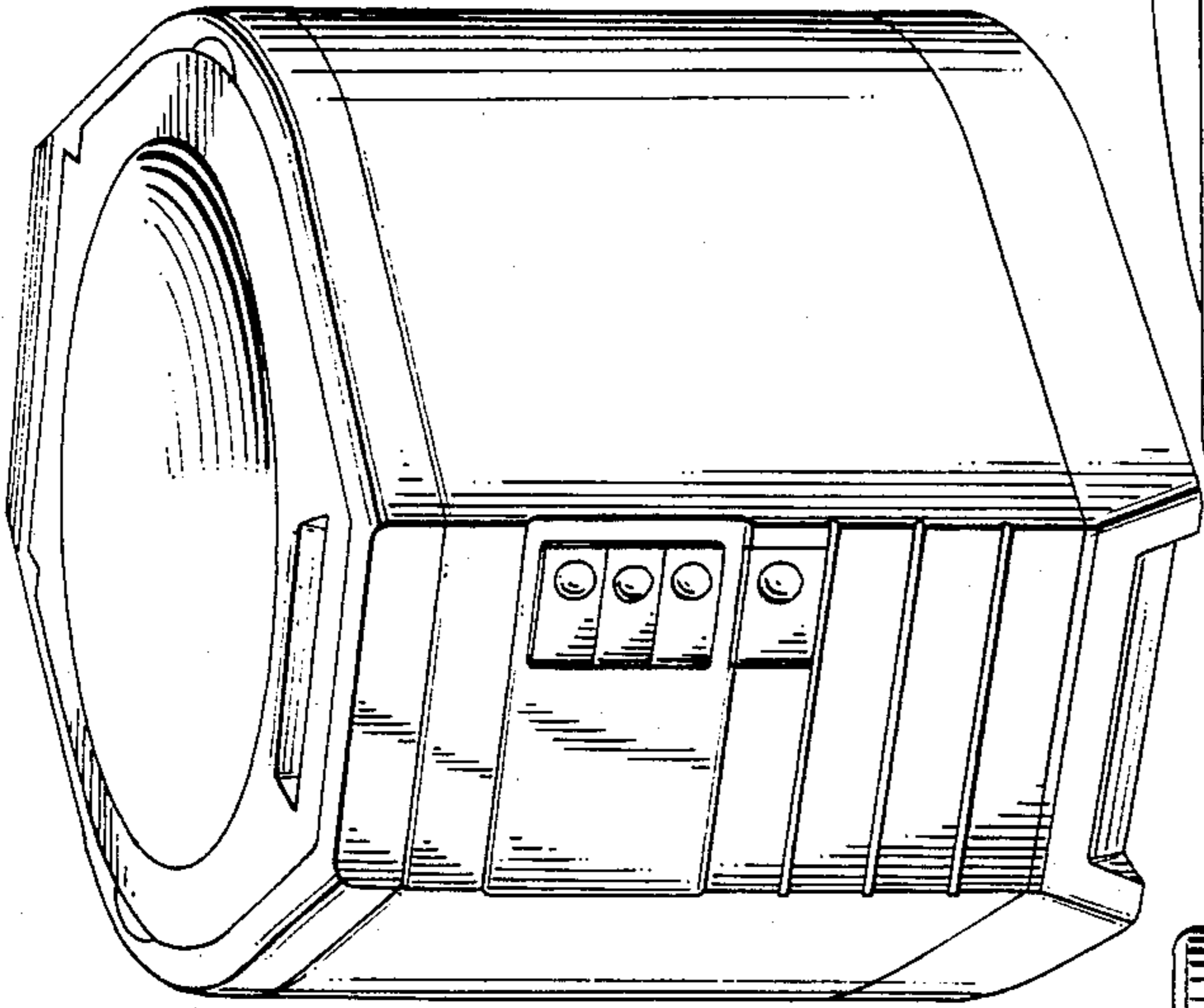


FIG. 2

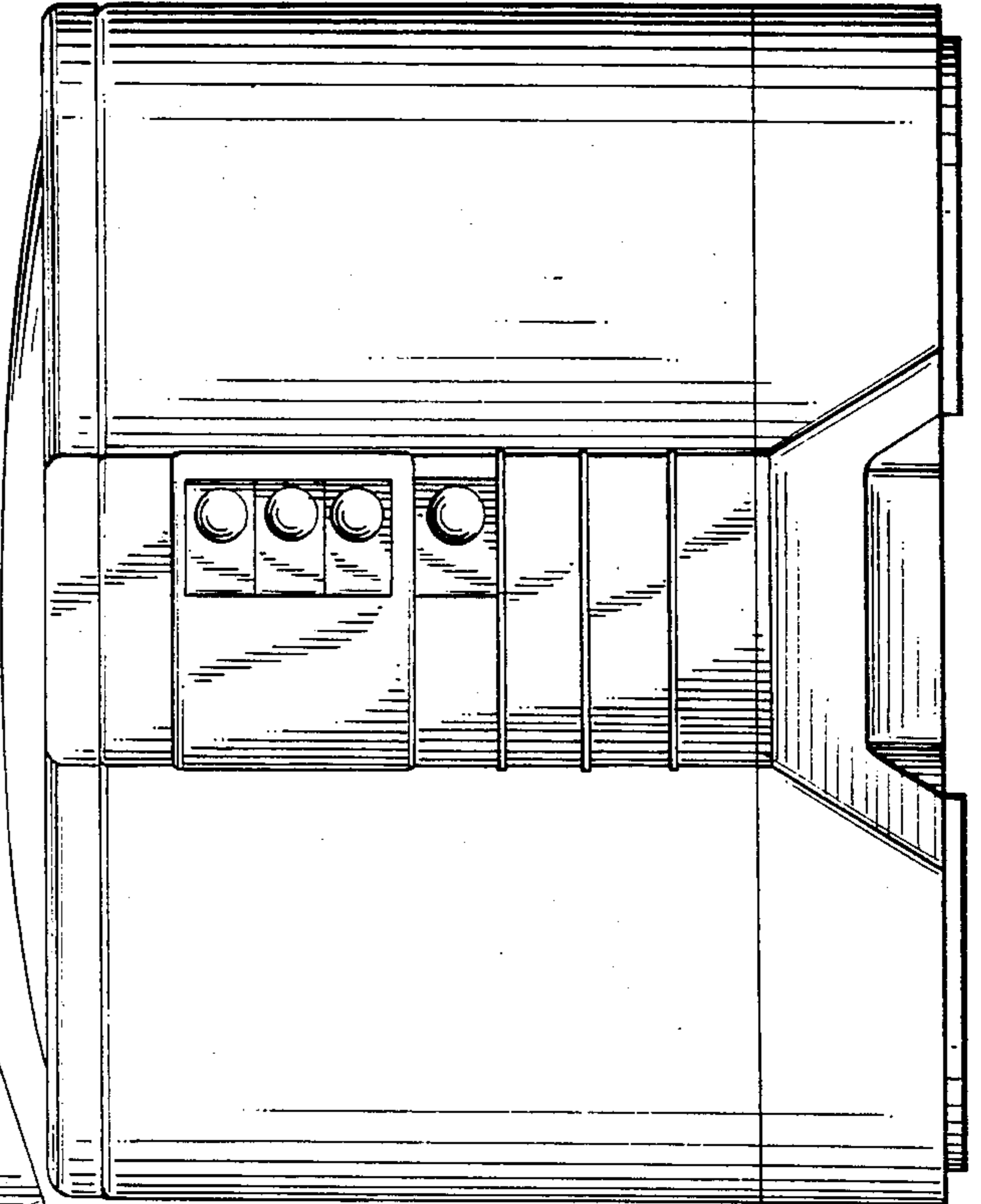


FIG. 3

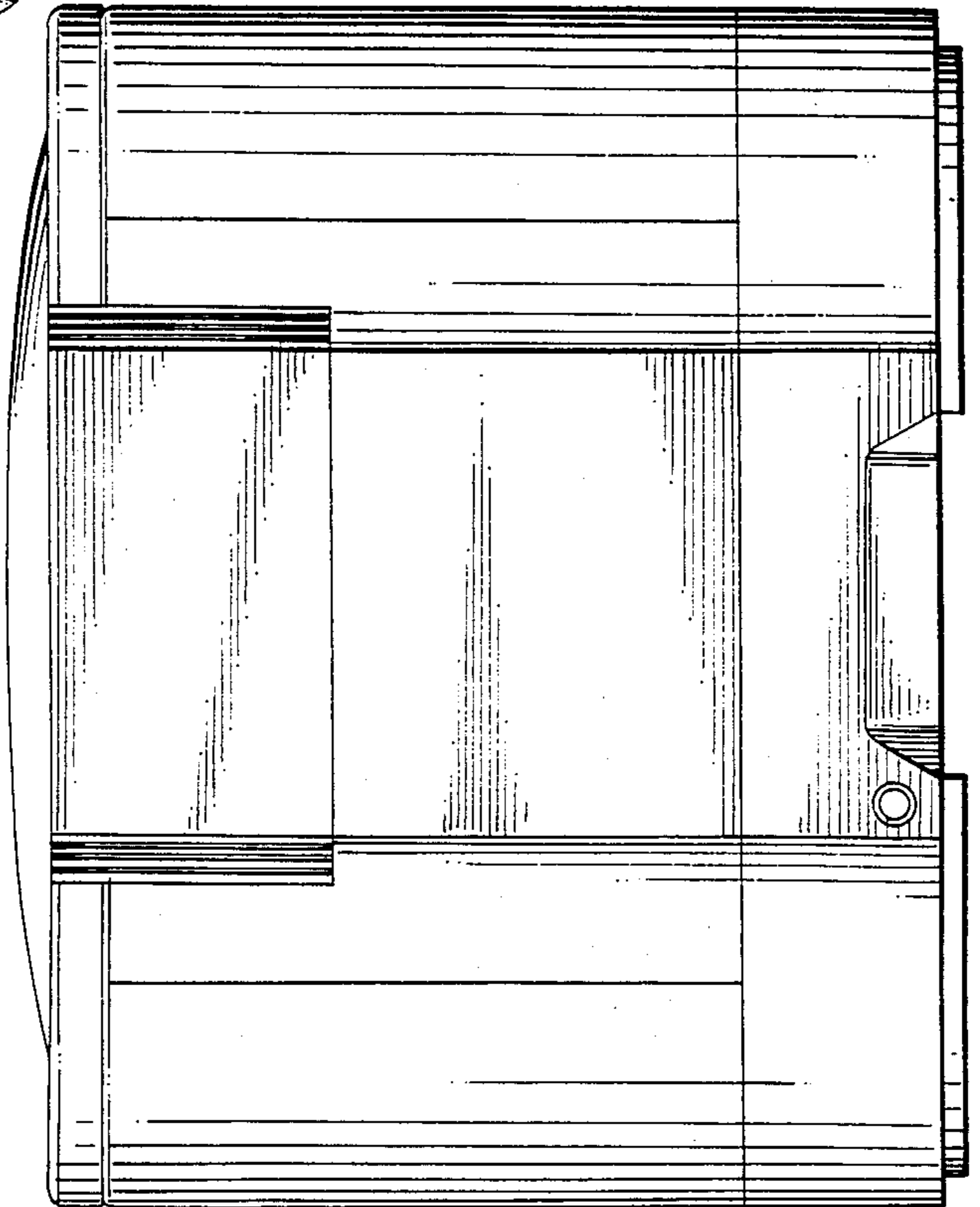


FIG. 4

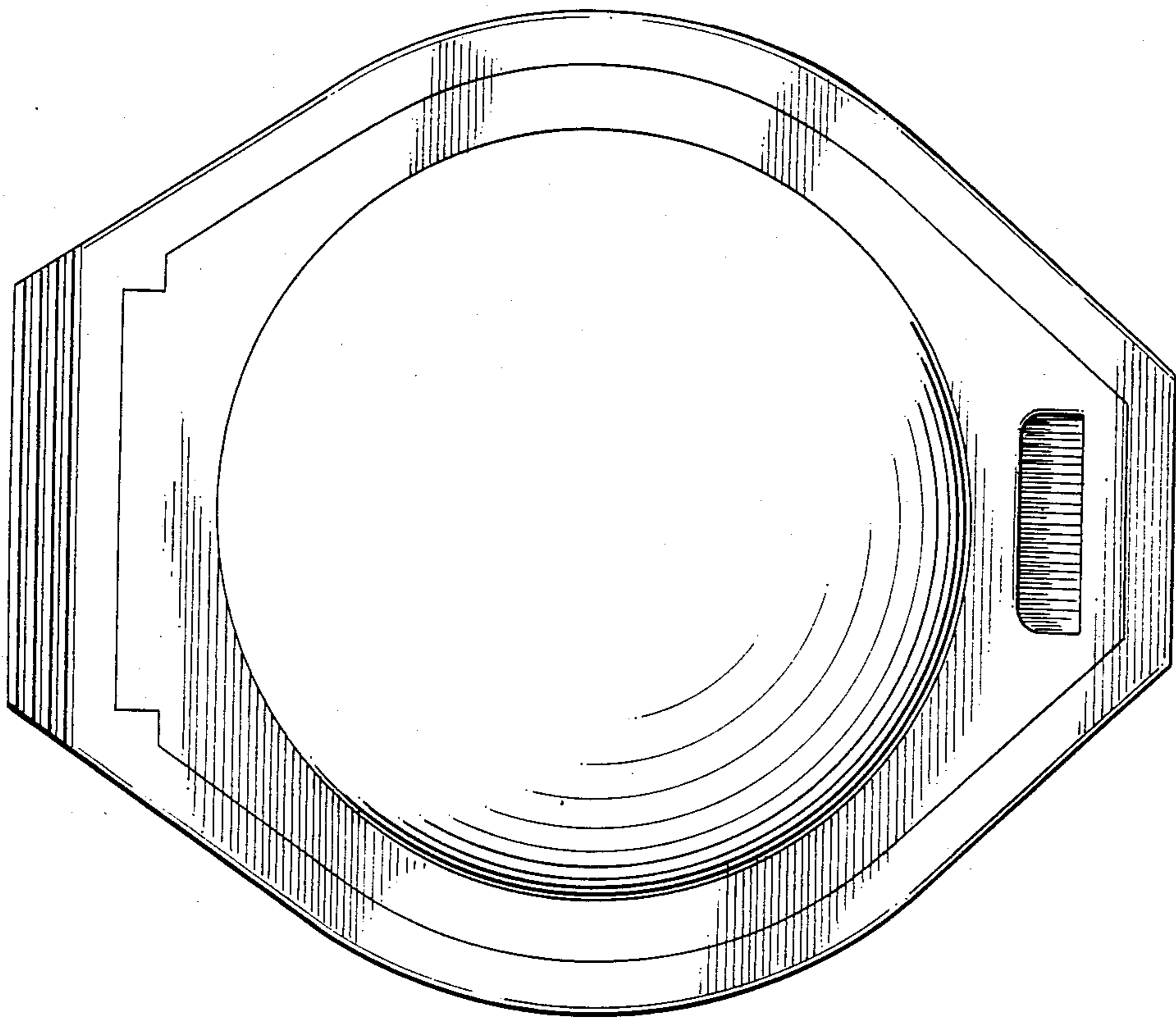


FIG. 5

