

United States Patent [19]

Dallaire et al.

[11] Patent Number: **Des. 300,664**

[45] Date of Patent: **** Apr. 11, 1989**

[54] WINDOW FRAME EXTRUSION

[75] Inventors: **Raymond Dallaire; Dominique Dallaire**, both of St. David, Canada

[73] Assignee: **P.H. Tech. Inc.**, Levis, Canada

[**] Term: **14 Years**

[21] Appl. No.: **27,352**

[22] Filed: **Mar. 18, 1987**

[30] Foreign Application Priority Data

Sep. 18, 1986 [GB] United Kingdom 1,036,789
[52] U.S. Cl. **D25/124**
[58] Field of Search D25/5 L, 119-125;
49/413, 415, 501, 504DIG. 2

[56] References Cited

U.S. PATENT DOCUMENTS

D. 245,711 9/1977 Dallaire D25/119
D. 246,601 12/1977 Dallaire D25/119
D. 250,483 12/1978 Dallaire D25/119
D. 258,614 3/1981 Dallaire D25/119

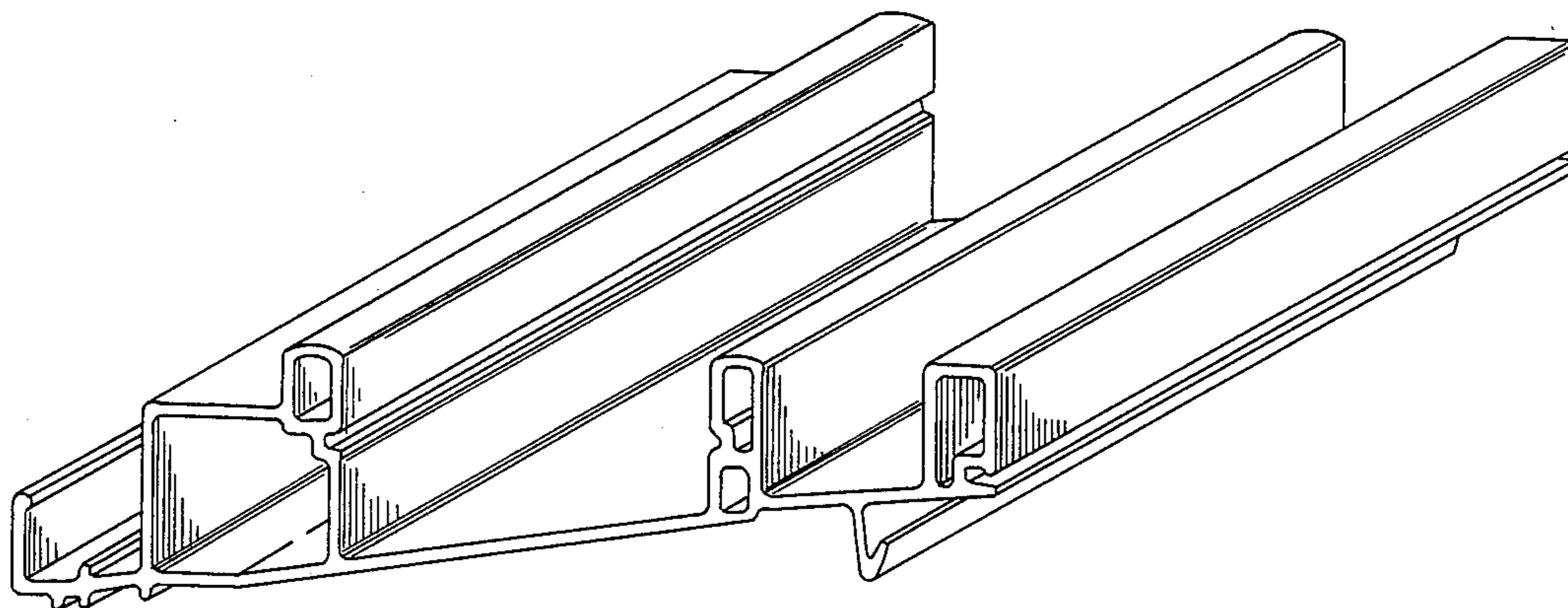
Primary Examiner—A. Hugo Word
Attorney, Agent, or Firm—Perry Carvellas

[57] CLAIM

The ornamental design for window frame extrusion, as shown and described.

DESCRIPTION

FIG. 1 is a perspective view of a window frame extrusion showing our new design; and, FIG. 2 is a perspective view thereof showing one end and other side.



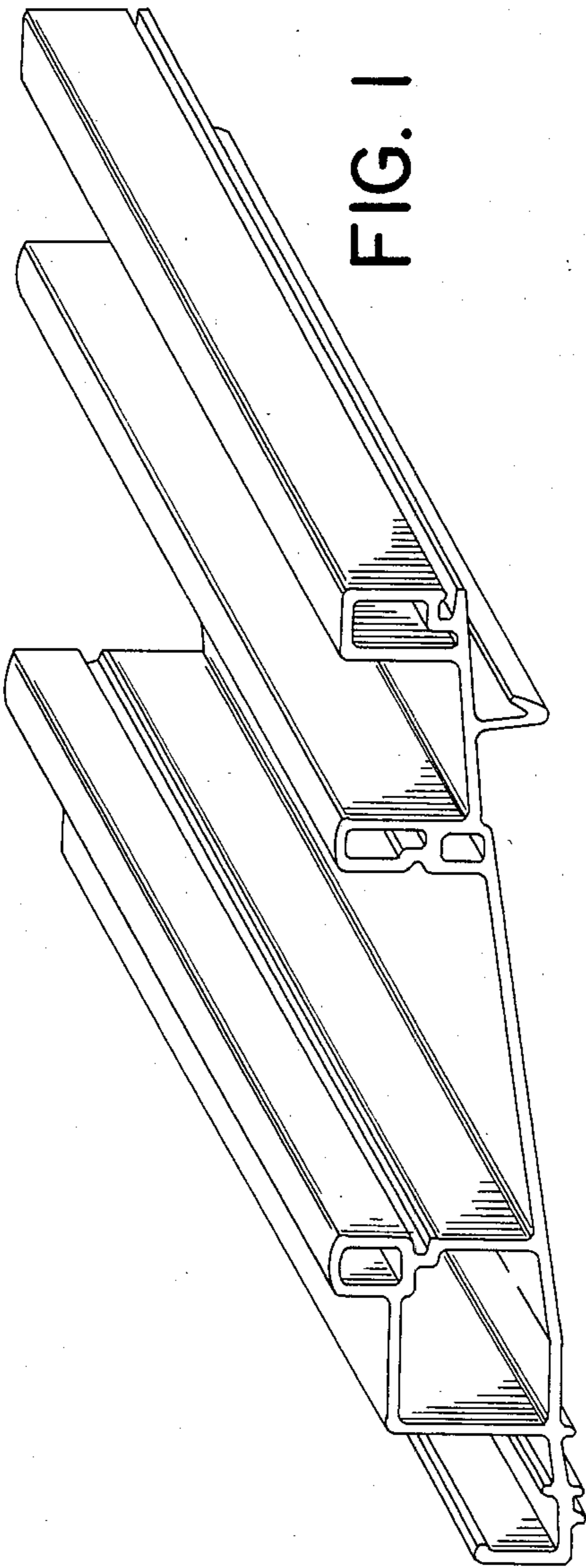


FIG. 1

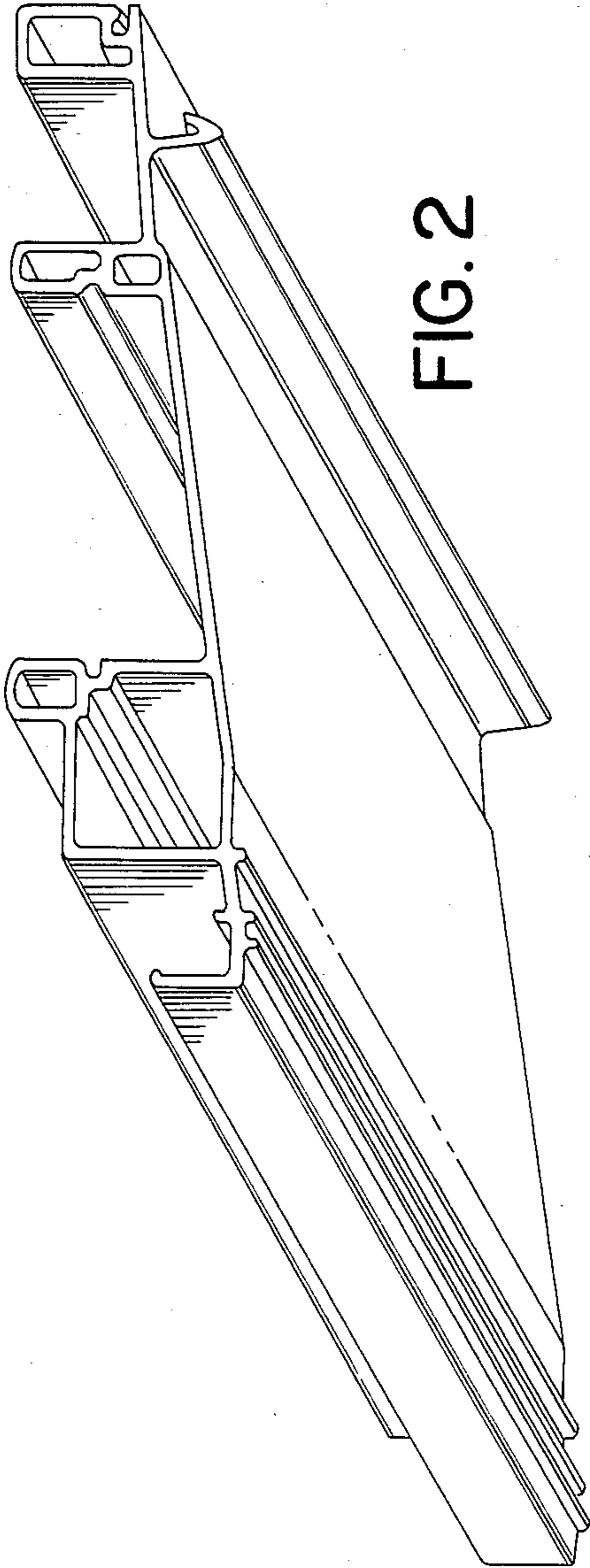


FIG. 2