

[54] **FASTENING STRIP FOR GLASS PANEL**

[76] **Inventor:** Chung-Nan Liao, 516, Ta Li Road,  
Ta Li Hsiang, Taichung Hsien,  
Taiwan

[\*\*] **Term:** 14 Years

[21] **Appl. No.:** 941,925

[22] **Filed:** Dec. 12, 1986

[52] **U.S. Cl.** ..... D25/119

[58] **Field of Search** ..... 52/393-403;  
D25/119-125; 49/475, 472, 485, 486

[56] **References Cited**

**U.S. PATENT DOCUMENTS**

D. 233,032	10/1974	Donné	.....	D25/123
2,056,024	9/1936	Stuart	.....	D25/119 X
3,213,584	10/1965	Bush	.....	D25/123 X

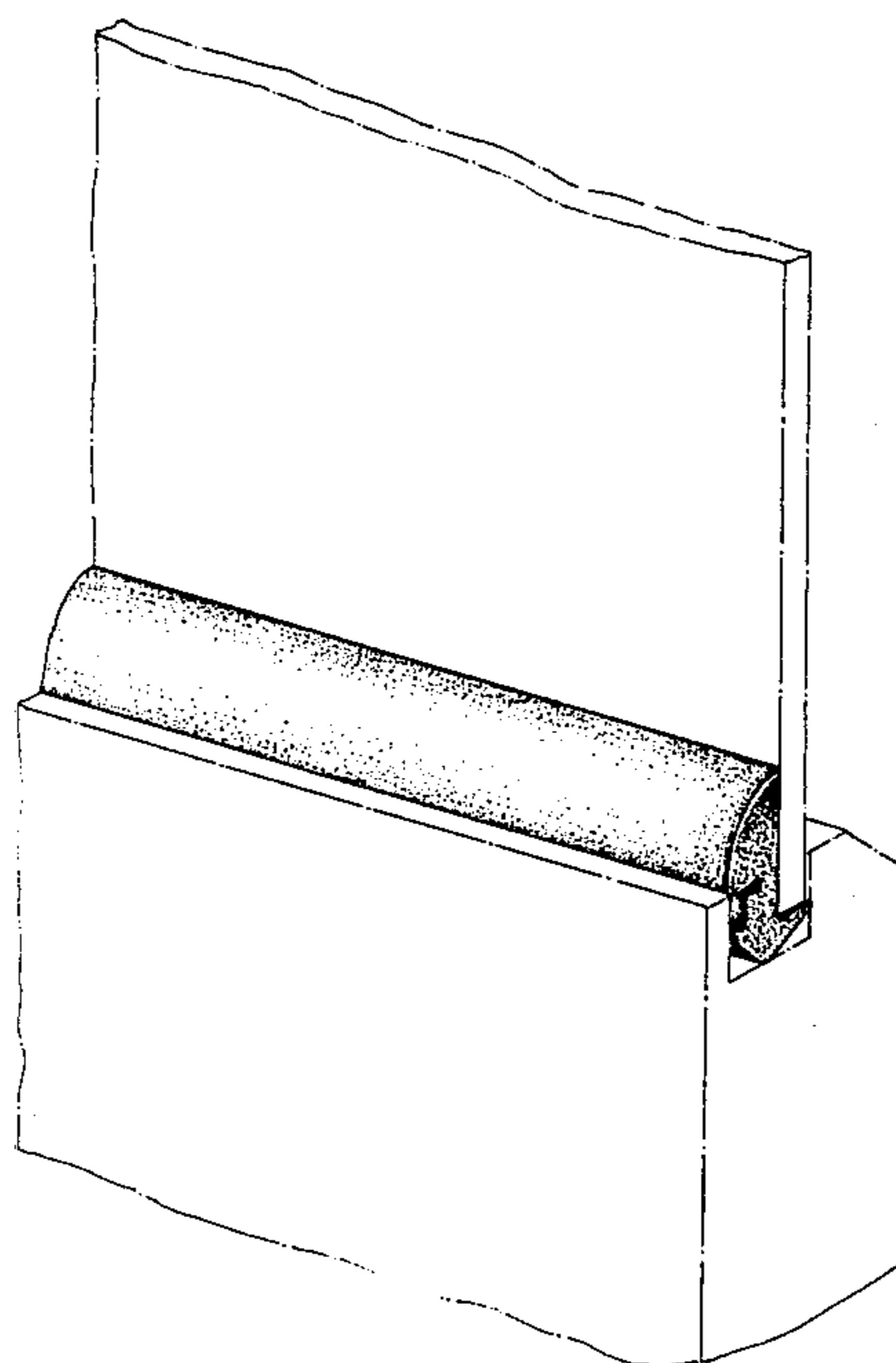
*Primary Examiner*—A. Hugo Word  
*Attorney, Agent, or Firm*—Steinberg & Raskin

[57] **CLAIM**

The ornamental design for a fastening strip for glass panel, as shown and described.

**DESCRIPTION**

FIG. 1 is a perspective view of a fastening strip for glass panel in accordance with the design;  
FIG. 2 is a front elevational view thereof;  
FIG. 3 is a rear elevational view thereof;  
FIG. 4 is a top plan view thereof;  
FIG. 5 is a bottom plan view thereof;  
FIG. 6 is a left side elevational view thereof;  
FIG. 7 is a right side elevational view thereof;  
FIG. 8 is an alternative embodiment thereof.  
The broken line showing of the environmental structure is for illustrative purposes only and forms no part of the claimed design.



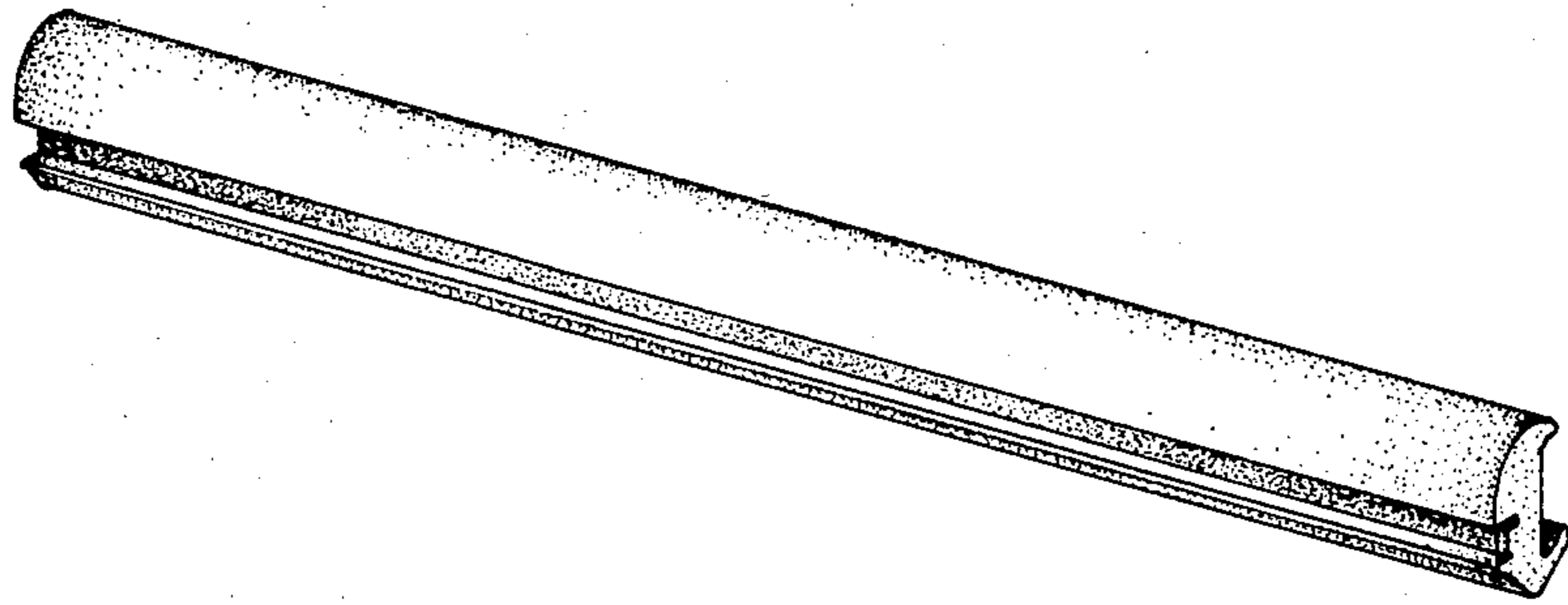


FIG. 1

FIG. 4



FIG. 2

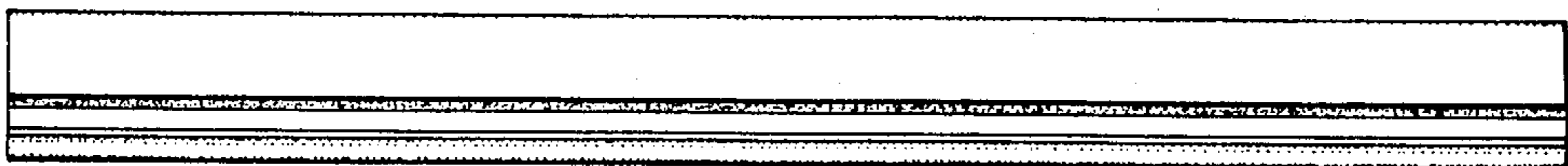


FIG. 5

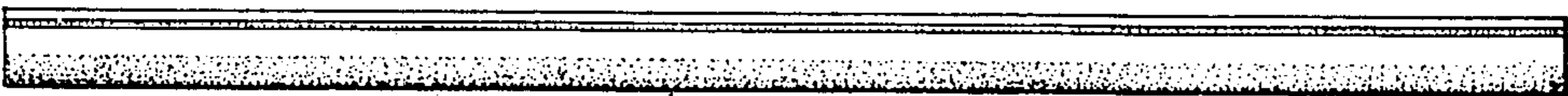


FIG. 3

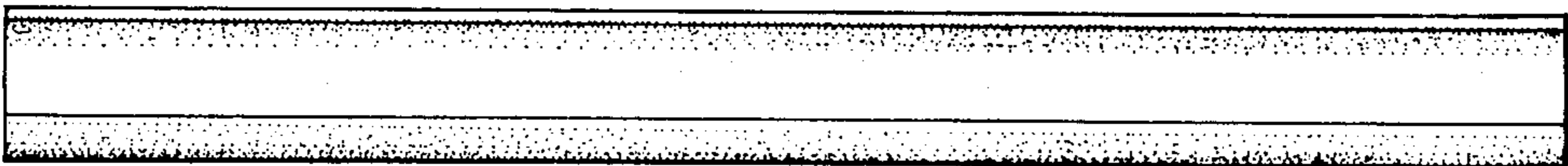


FIG. 6



FIG. 7



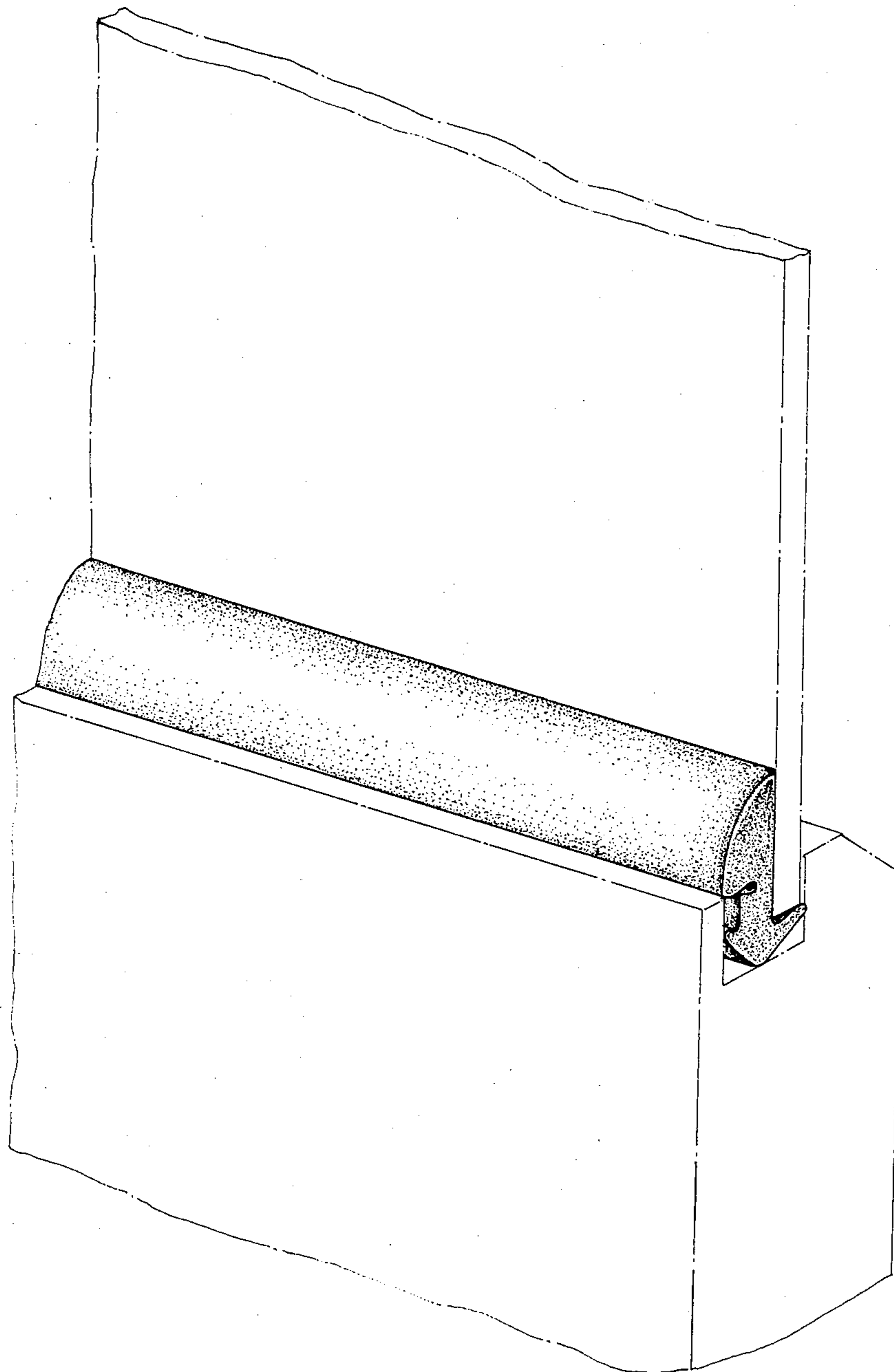


FIG. 8