

[54] EXAMINATION TABLE

[75] Inventors: Terry J. Simpkins, Snowmass Village, Colo.; Richard L. Turner, Coldwater, Ohio

[73] Assignee: Midmark Corporation, Versailles, Ohio

[\*\*] Term: 14 Years

[21] Appl. No.: 917,322

[22] Filed: Oct. 9, 1986

[52] U.S. Cl. .... D24/3; D6/360; D6/364; D6/365; D6/367; D24/1.1

[58] Field of Search ..... D24/3, 1.1; 269/325, 269/322, 328, 323, 324; 5/62, 68, 70; 128/70, 68, 73; D6/367, 364, 365, 360

[56] References Cited

U.S. PATENT DOCUMENTS

- D. 263,434 3/1982 Miller ..... D6/360
- D. 278,668 5/1985 Simpkins ..... D6/367 X
- 4,168,099 9/1979 Jacobs et al. .... 269/325 X

Primary Examiner—Wallace R. Burke

Assistant Examiner—Stella M. Reid  
Attorney, Agent, or Firm—Biebel, French, & Nauman

[57] CLAIM

The ornamental design for an examination table, as shown.

DESCRIPTION

FIG. 1 is a perspective view of an examination table, showing our new design;  
 FIG. 2 is a front elevational view of the examination table;  
 FIG. 3 is a side elevational view of the examination table;  
 FIG. 4 is a rear elevational view of the examination table;  
 FIG. 5 is a side elevational view thereof, opposite that shown in FIG. 3;  
 FIG. 6 is a side elevational view thereof, in reclined position;  
 FIG. 7 is a side elevational view thereof, in partially reclined position; and,  
 FIG. 8 is a top plan view thereof, in reclined position. The cord portion is fragmentarily shown in FIGS. 1, 2, 4 and 5 for ease of illustration and is understood to repeat uniformly throughout the broken line area.

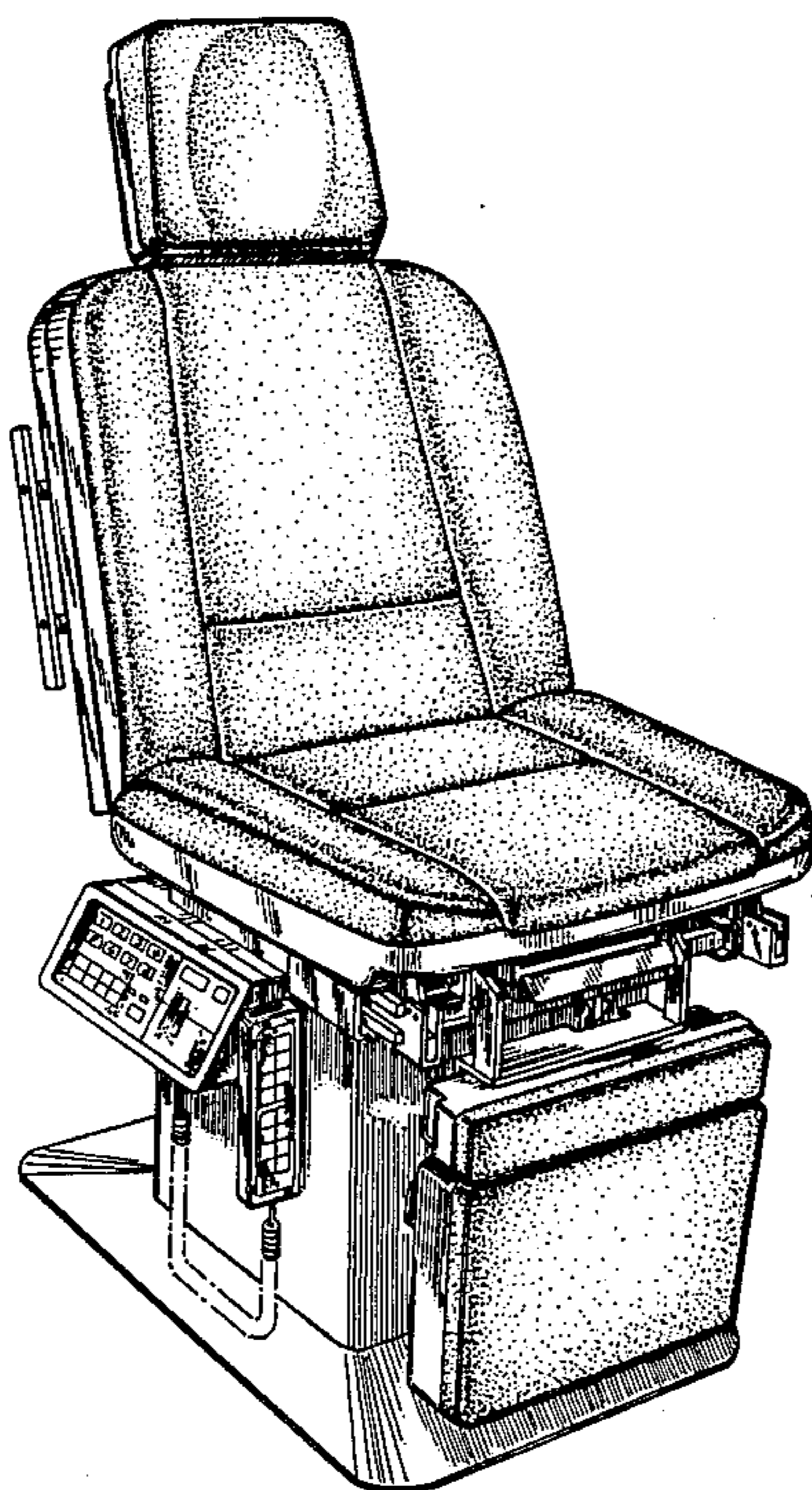
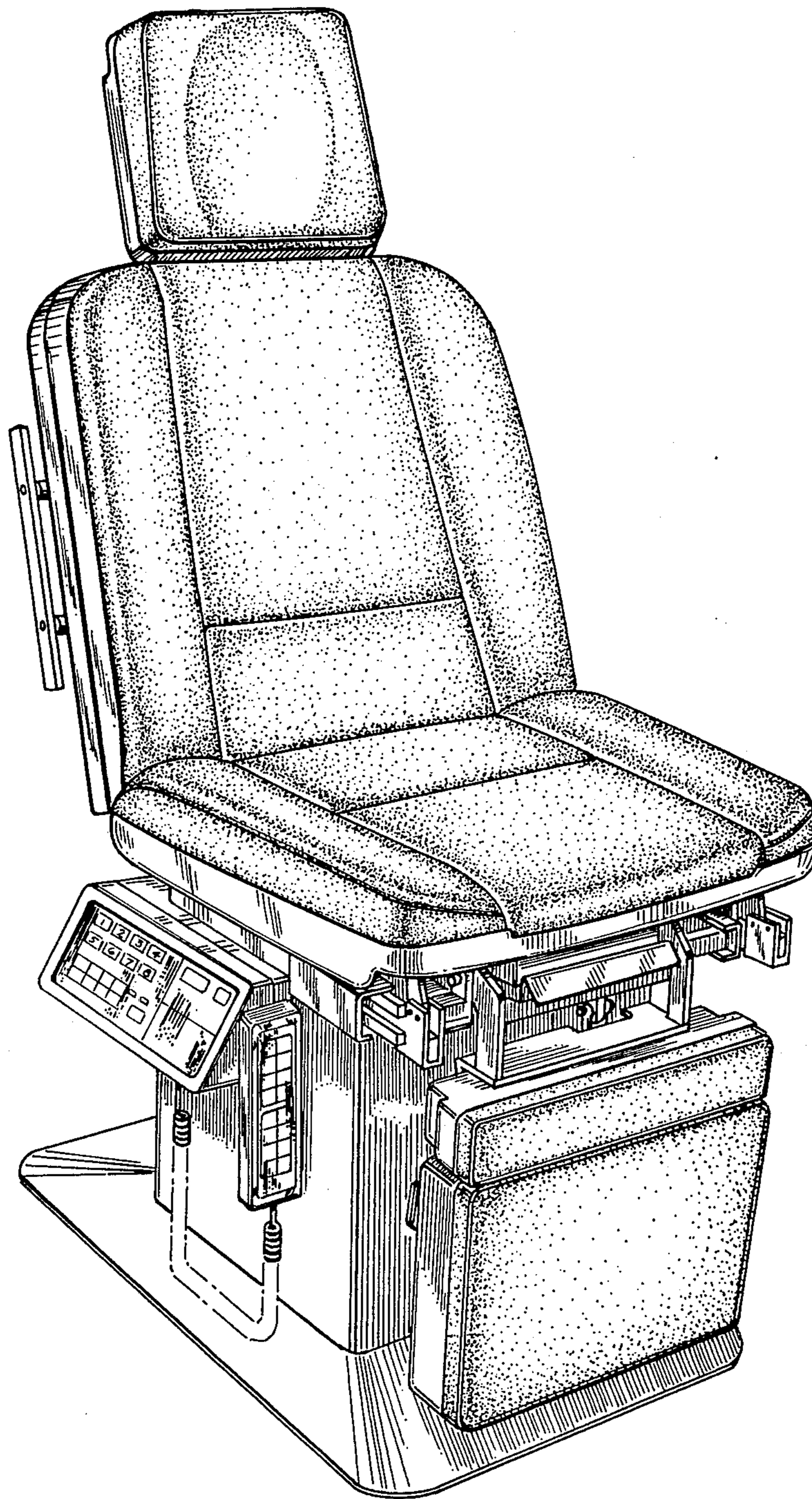


FIG-1





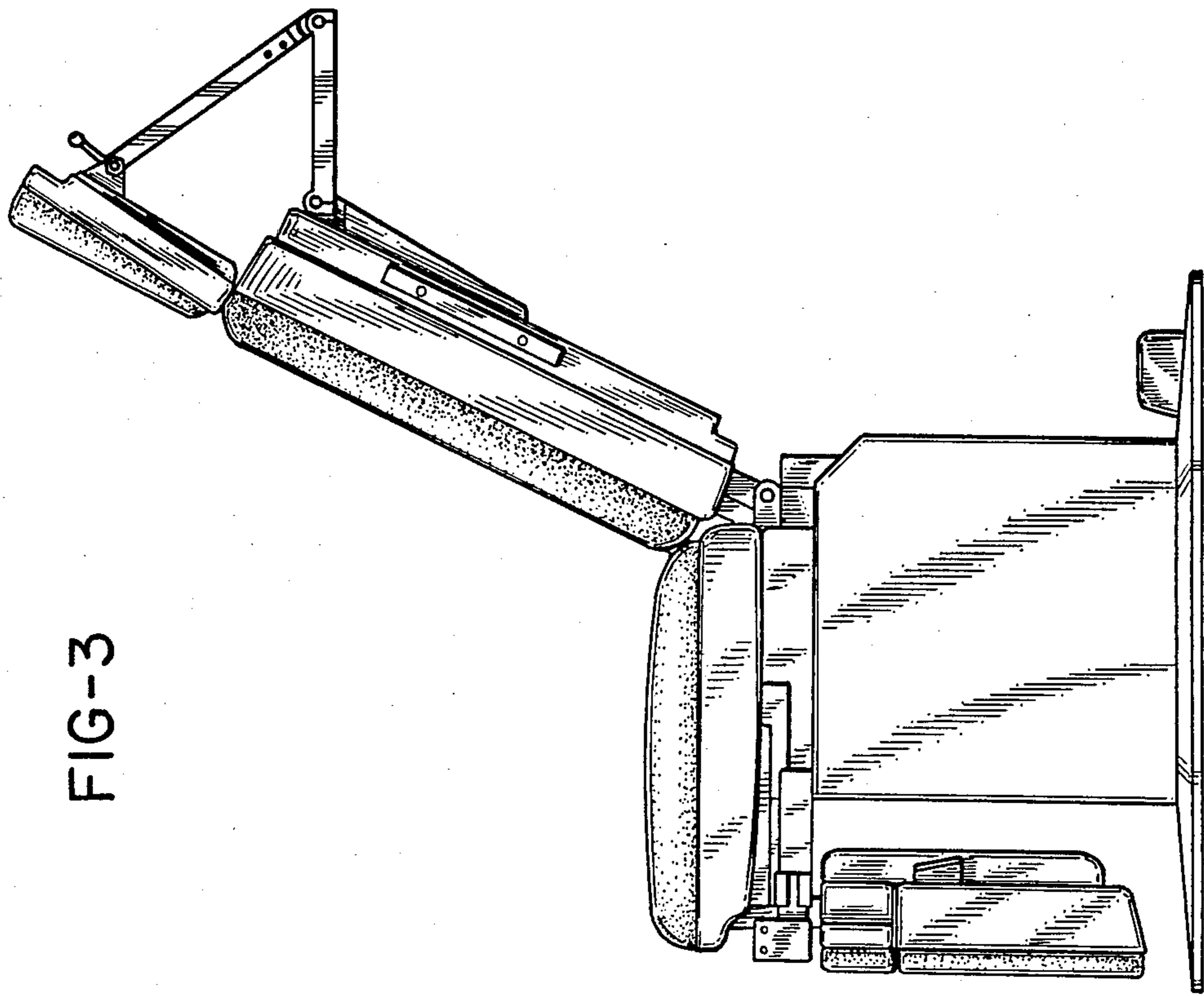


FIG-3

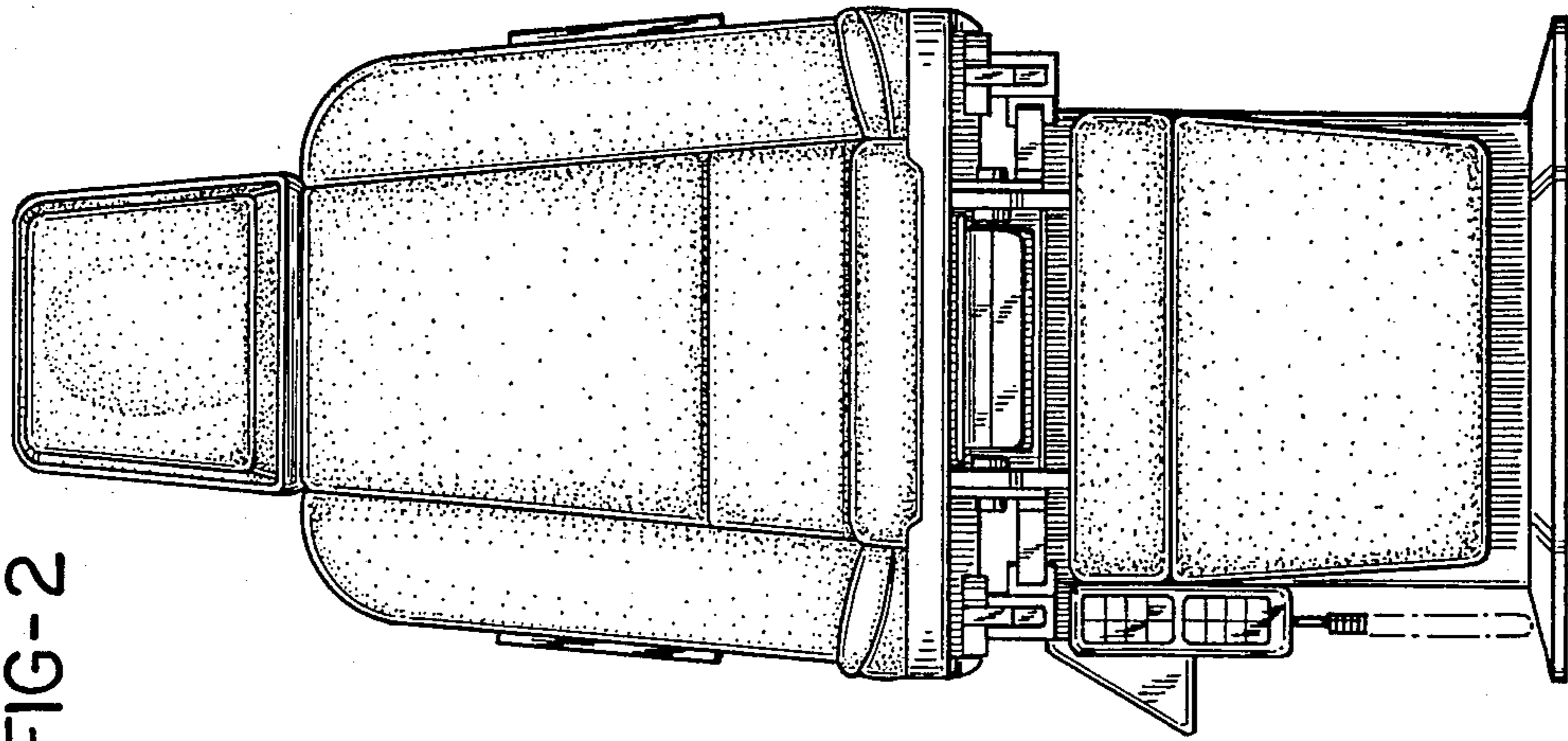


FIG-2

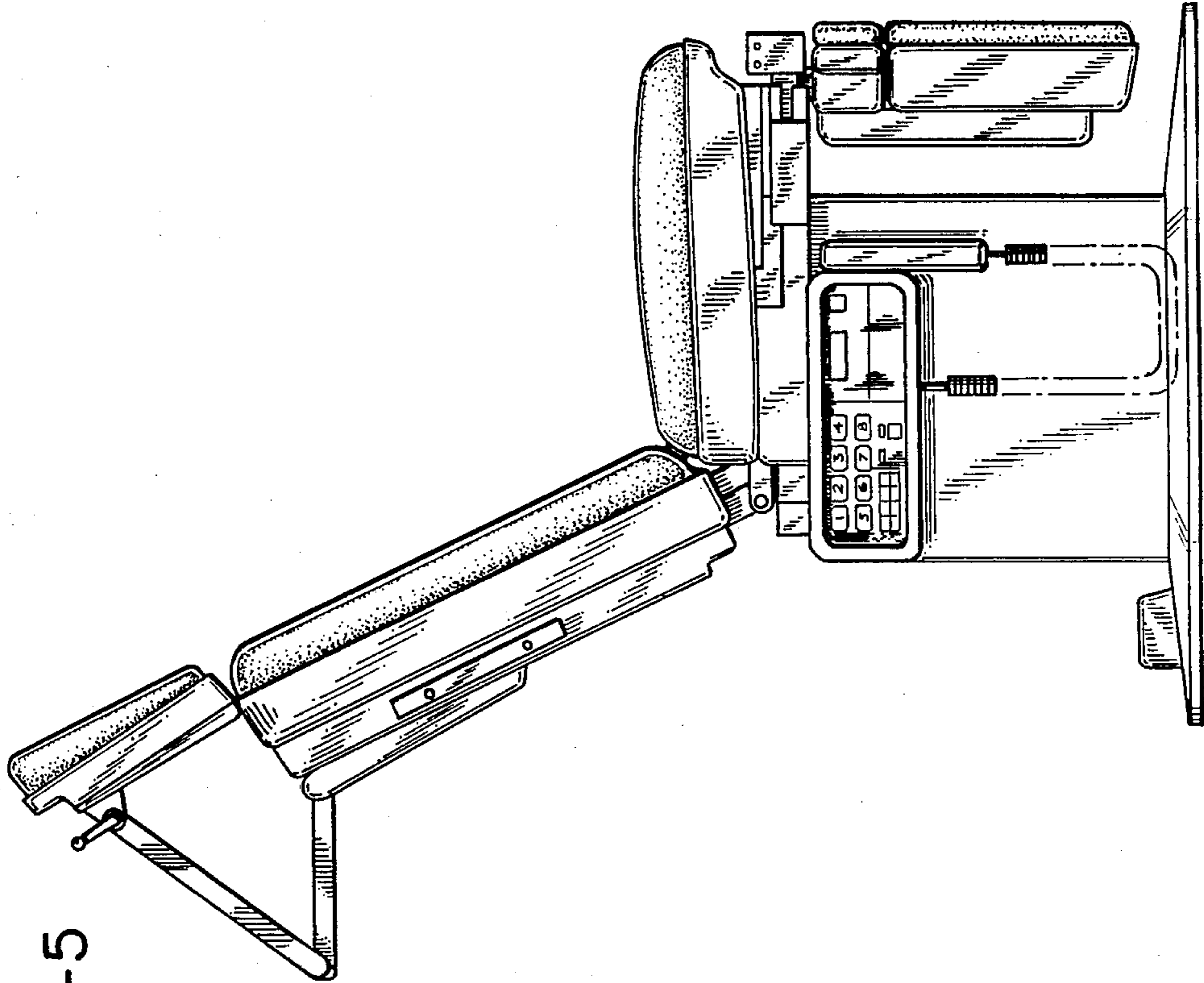


FIG-5

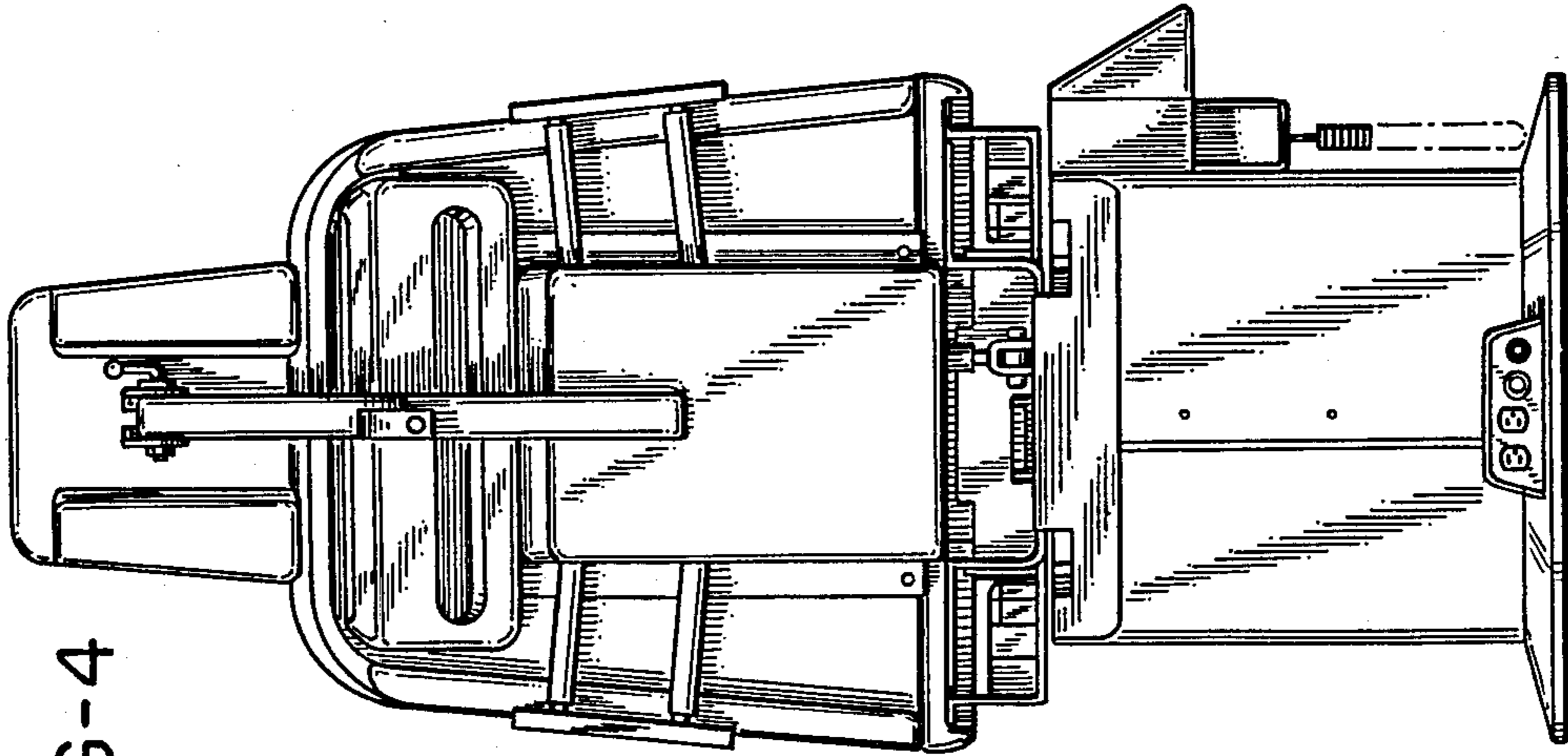


FIG-4

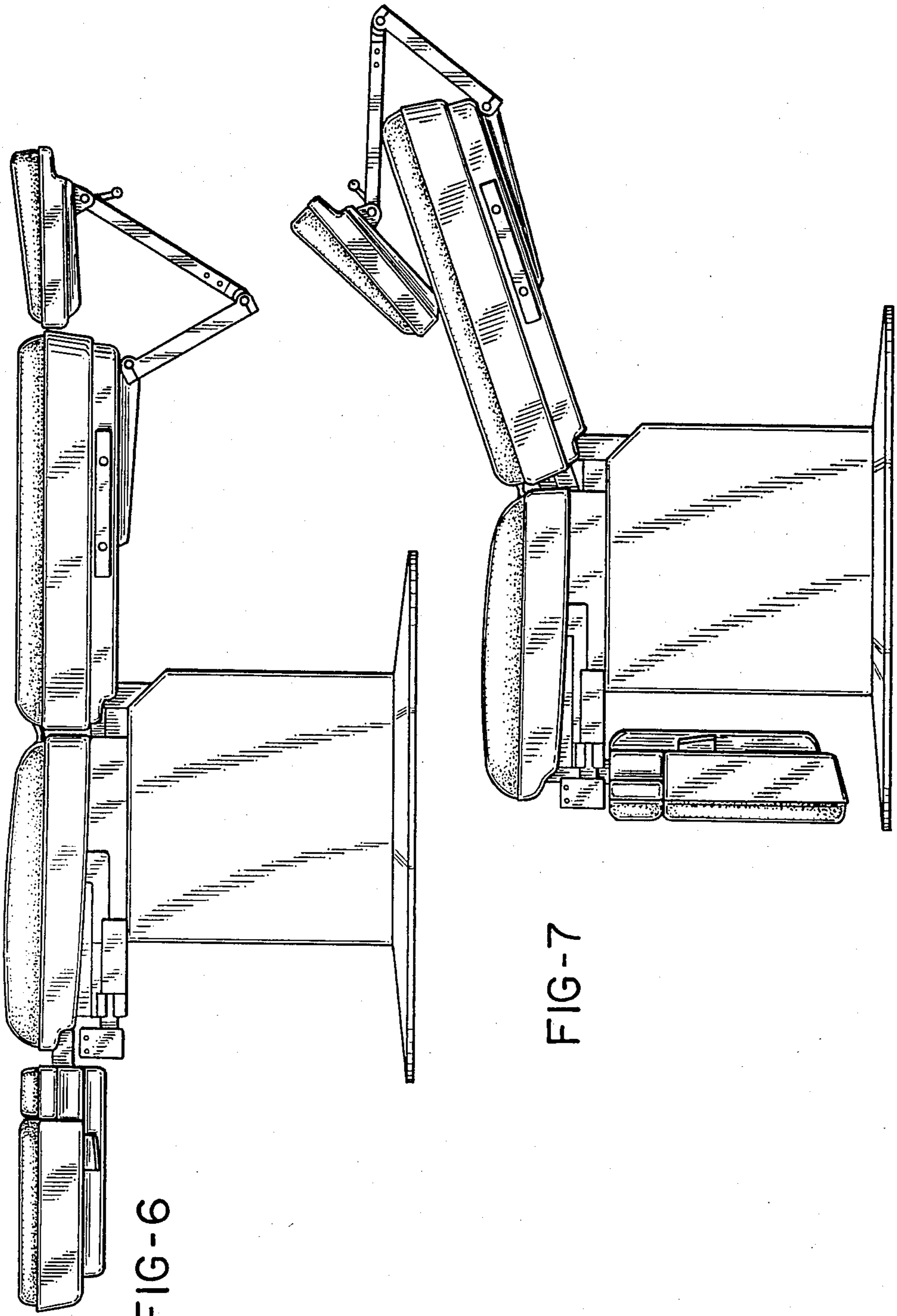


FIG-6

FIG-7



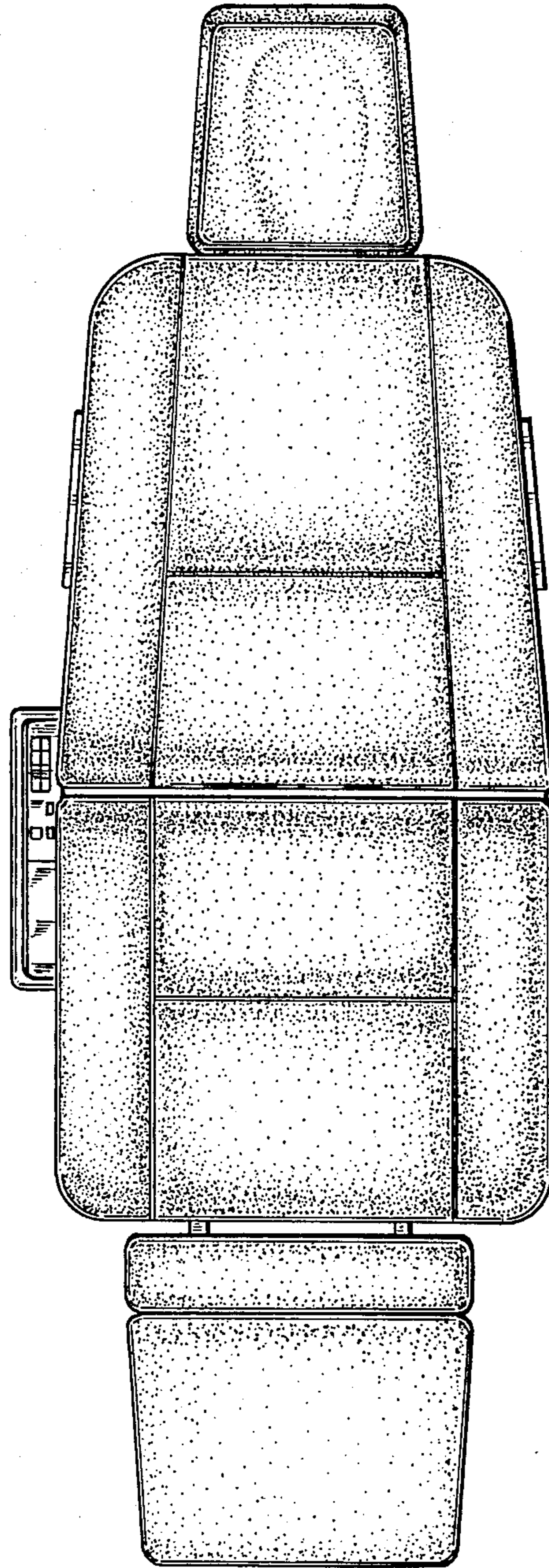


FIG-8