

**United States Patent** [19]  
**Lassi**

[11] **Patent Number: Des. 300,651**

[45] **Date of Patent: \*\* Apr. 11, 1989**

[54] **FISHING ROD HANDLE**

[75] **Inventor: Karl-Gunnar Lassi, Karlshamn, Sweden**

[73] **Assignee: Abu AB, Karlshamn, Sweden**

[\*\*] **Term: 14 Years**

[21] **Appl. No.: 178,894**

[22] **Filed: Apr. 4, 1988**

**Related U.S. Application Data**

[63] **Continuation of Ser. No. 804,904, Dec. 5, 1985, abandoned.**

[52] **U.S. Cl. .... D22/142**

[58] **Field of Search ..... 43/20, 22, 23; D22/142**

[56] **References Cited**

**U.S. PATENT DOCUMENTS**

2,753,646 7/1956 Colmery ..... D22/142 X  
3,276,160 10/1966 Sarah ..... D22/142 X  
4,653,217 3/1987 Ohmura ..... 43/22 X

*Primary Examiner*—A. Hugo Word  
*Attorney, Agent, or Firm*—Shapiro and Shapiro

[57] **CLAIM**

The ornamental design for a fishing rod handle, as shown.

**DESCRIPTION**

FIG. 1 is a perspective view of the fishing rod handle according to the new design as seen obliquely from above and obliquely from the front of the handle portion;

FIG. 2 is a perspective view of the fishing rod handle according to FIG. 1 as seen obliquely from underneath and obliquely from the front of the handle portion.

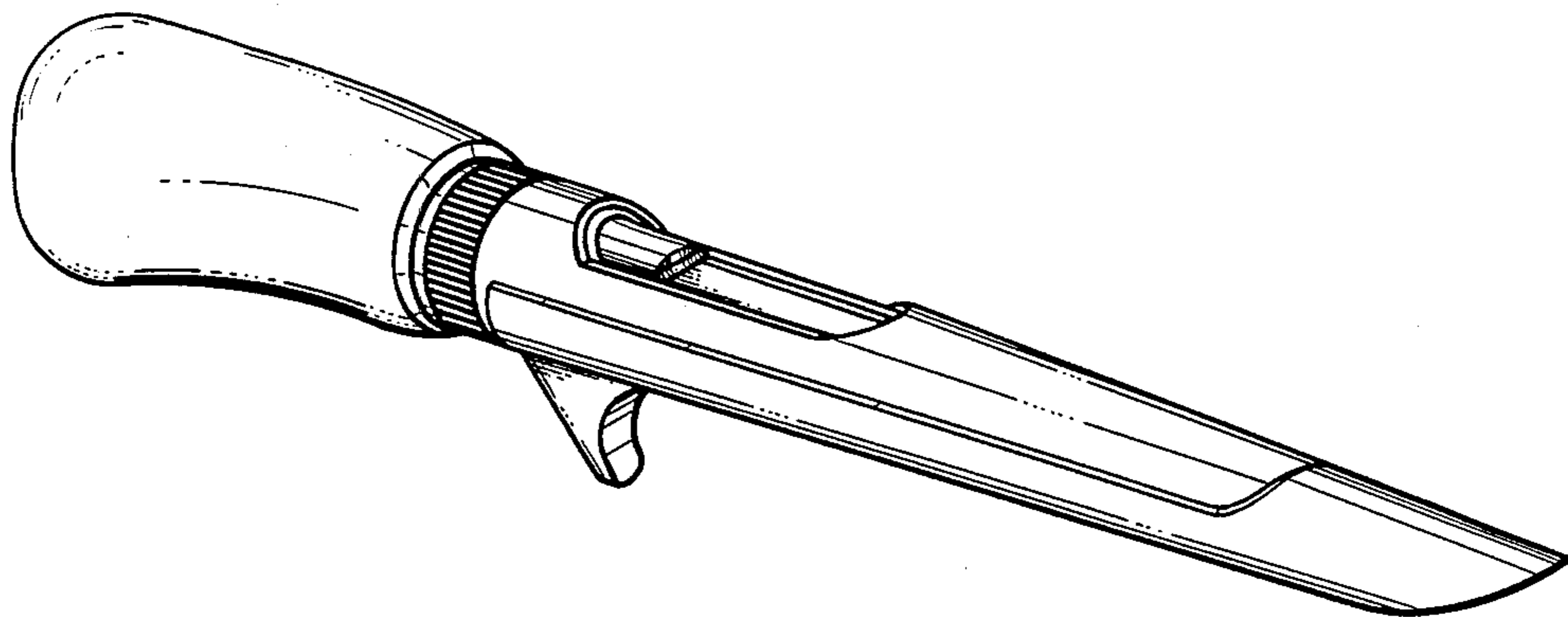
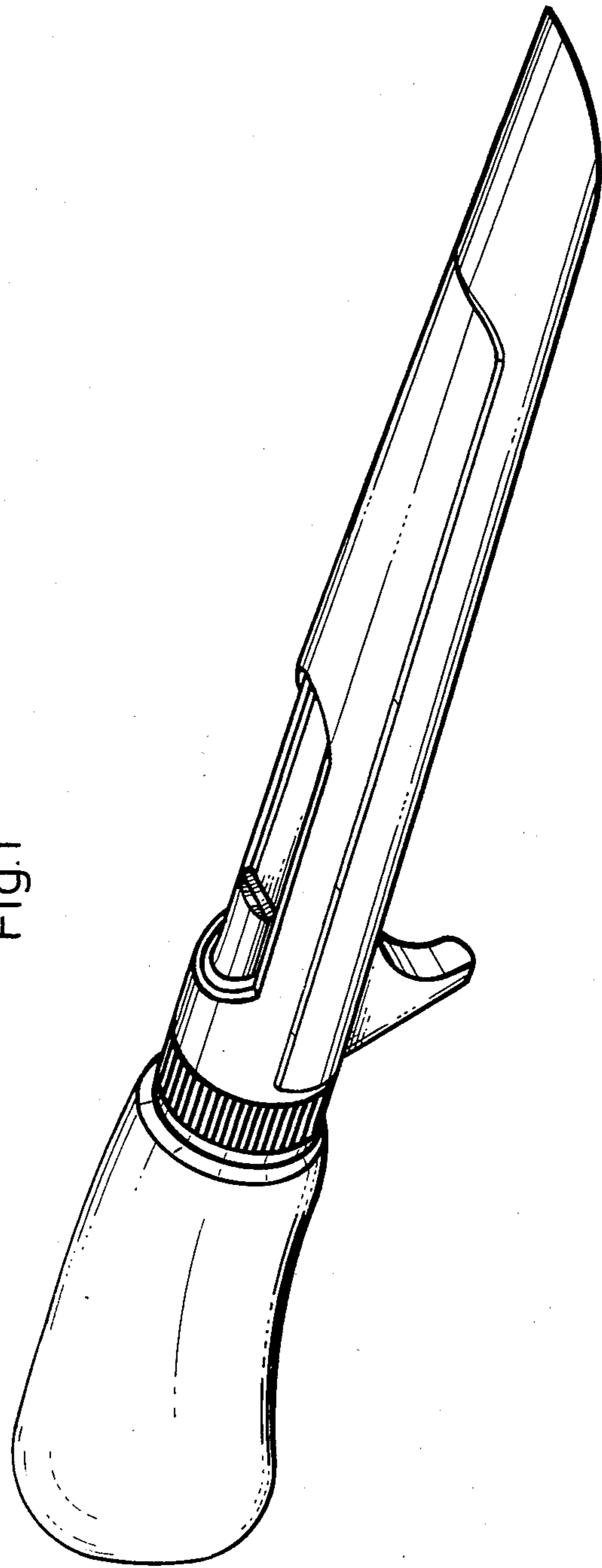


Fig.1



UNITED STATES PATENT AND TRADEMARK OFFICE  
**CERTIFICATE OF CORRECTION**

PATENT NO. : Des. 300,651  
DATED : April 11, 1989  
INVENTOR(S) : Karl-Gunnar Lassi

Page 1 of 2

It is certified that error appears in the above-identified patent and that said Letters Patent is hereby corrected as shown below:

Insert Figure 2 as part of Letters Patent as shown on the attached sheet.

**Signed and Sealed this  
First Day of August, 1989**

*Attest:*

DONALD J. QUIGG

*Attesting Officer*

*Commissioner of Patents and Trademarks*

UNITED STATES PATENT AND TRADEMARK OFFICE  
**CERTIFICATE OF CORRECTION**

PATENT NO. : Des. 300,651  
DATED : April 11, 1989  
INVENTOR(S) : Karl-Gunnar Lassi

Page 2 of 2

It is certified that error appears in the above-identified patent and that said Letters Patent is hereby corrected as shown below:

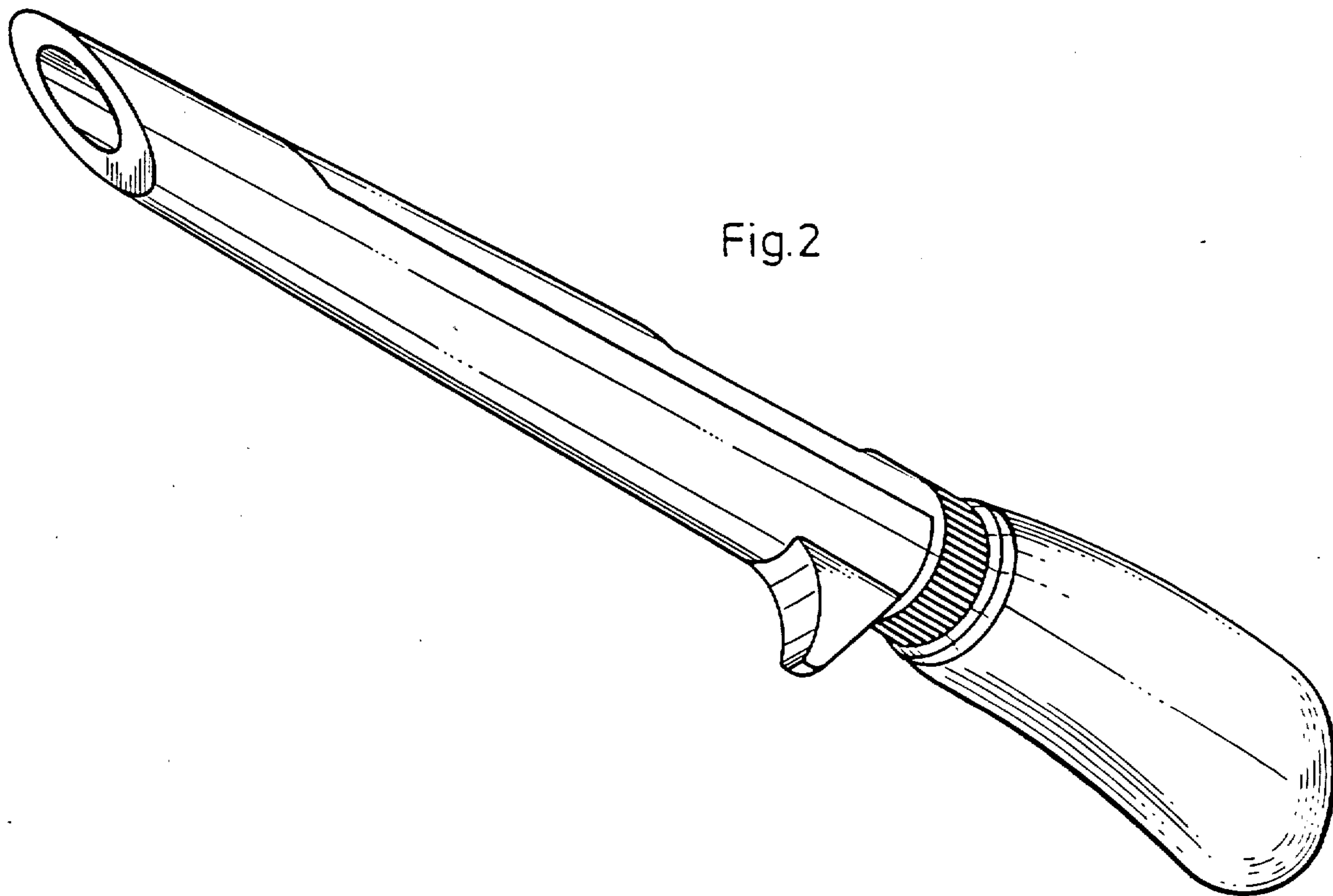


Fig.2