

United States Patent [19]

Thomas

[11] Patent Number: **Des. 300,650**

[45] Date of Patent: **** Apr. 11, 1989**

[54] **LINE ANCHOR FOR SECURING FISHING LINE OR THE LIKE**

[76] Inventor: **Robert O. Thomas, 1022 Alamo St., San Marcos, Tex. 78666**

[**] Term: **14 Years**

[21] Appl. No.: **858,310**

[22] Filed: **May 1, 1986**

[52] U.S. Cl. **D22/134; D8/367; D11/50; D21/157**

[58] Field of Search **D22/134; D11/100, 50; D21/157; D8/305, 303, 367; 43/43.1, 43.12, 43.13, 43.87**

[56] **References Cited**

U.S. PATENT DOCUMENTS

- D. 150,374 7/1948 Schmidt D8/367
- D. 211,699 7/1968 Perfit D8/305
- D. 228,481 10/1973 Sahloff D11/50 X

- D. 230,659 3/1974 Bride D21/157 X
- 1,020,728 3/1912 Talbot .
- 1,389,859 9/1921 Chronister .
- 3,161,982 12/1960 Lee .
- 3,766,610 10/1973 Thorsbakken .
- 3,960,461 6/1976 Sachs .
- 4,509,233 4/1985 Shaw .

Primary Examiner—A. Hugo Word
Attorney, Agent, or Firm—Jones, Tullar & Cooper

[57] **CLAIM**

The ornamental design for a line anchor for securing fishing line or the like, as shown.

DESCRIPTION

FIG. 1 is a front elevational view of the line anchor for securing fishing line or the like of the present invention; FIG. 2 is a top plan view of the invention; FIG. 3 is a left side elevation of the invention; FIG. 4 is a right side elevation of the invention; FIG. 5 is a back elevational view of the invention; and FIG. 6 is a bottom view of the invention.

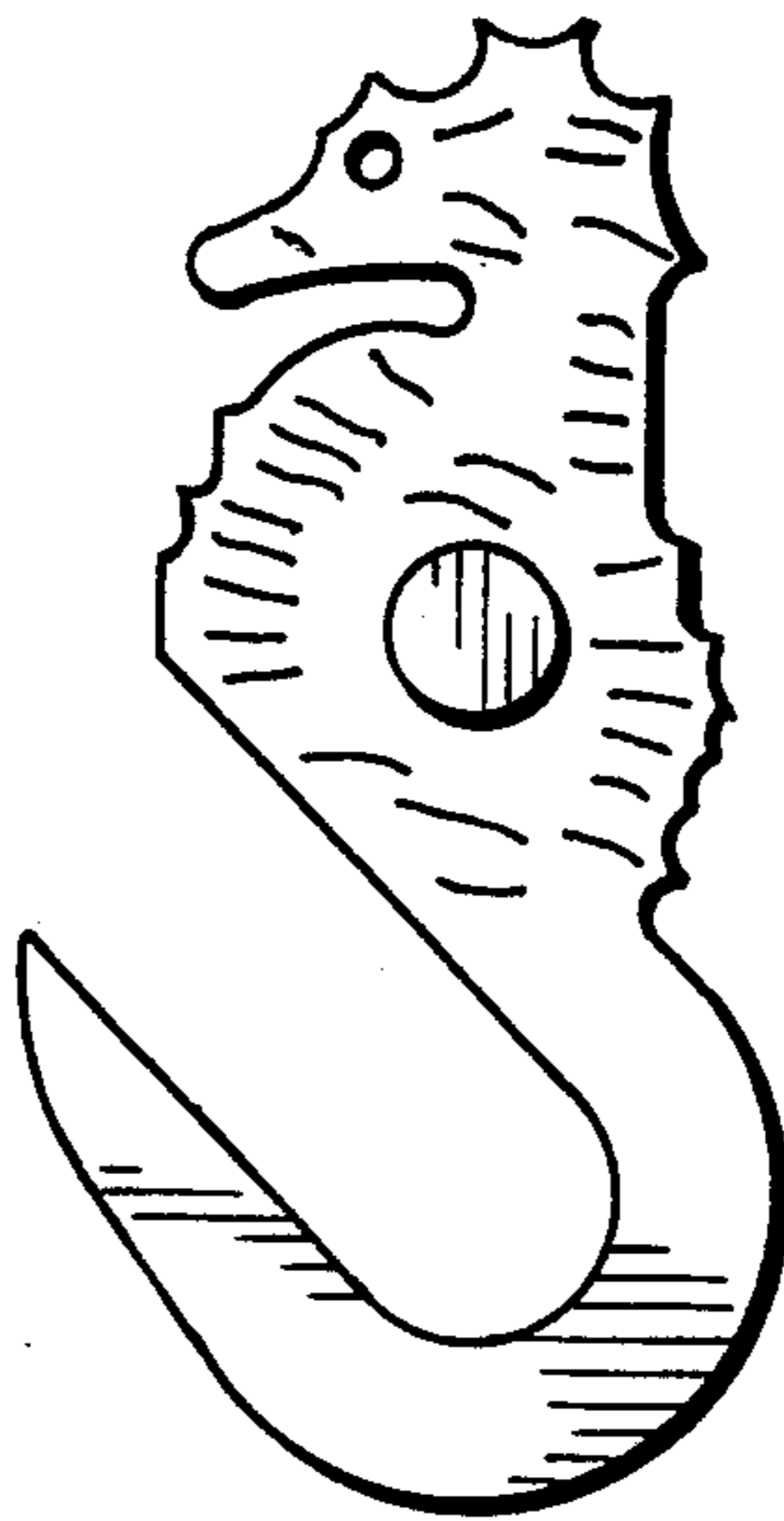


FIG 1

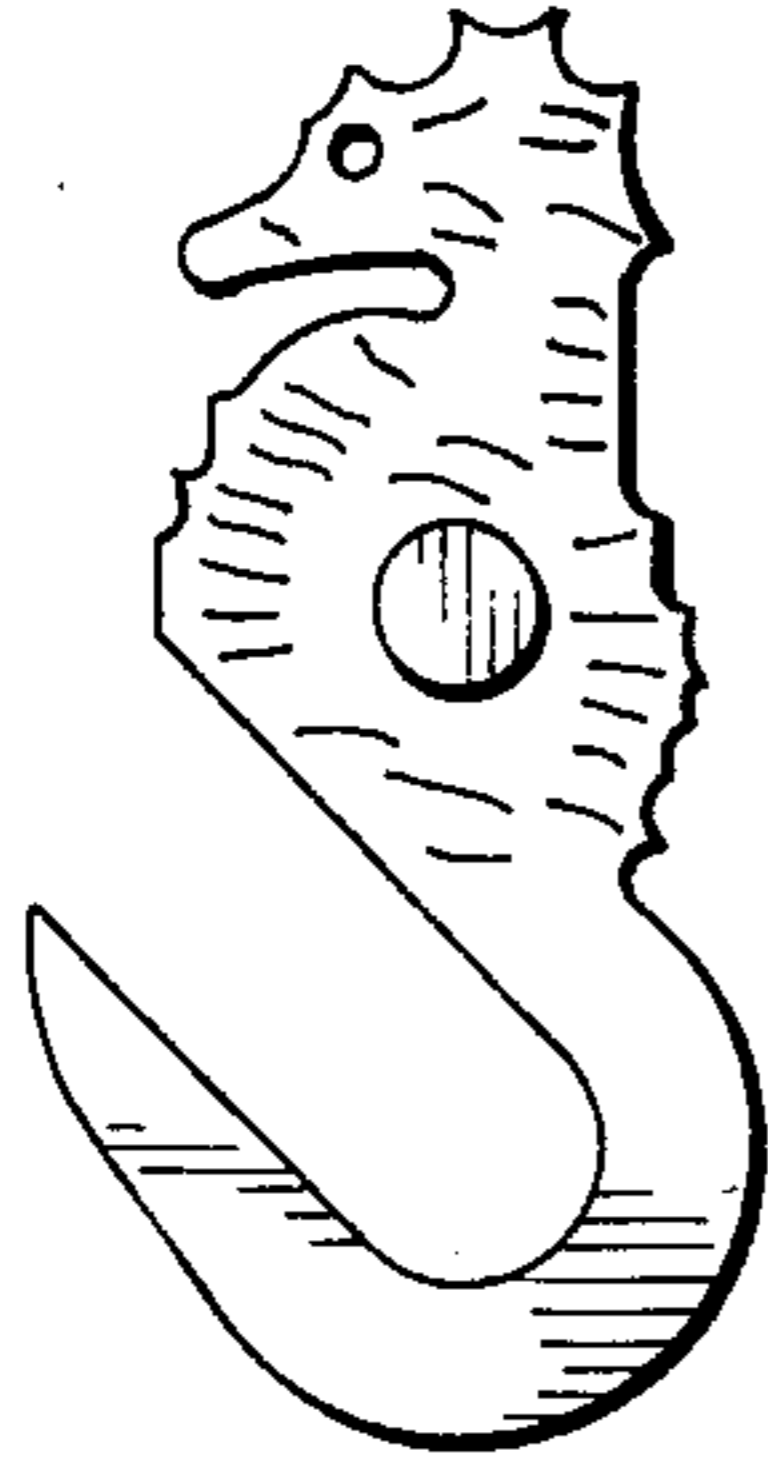


FIG 4

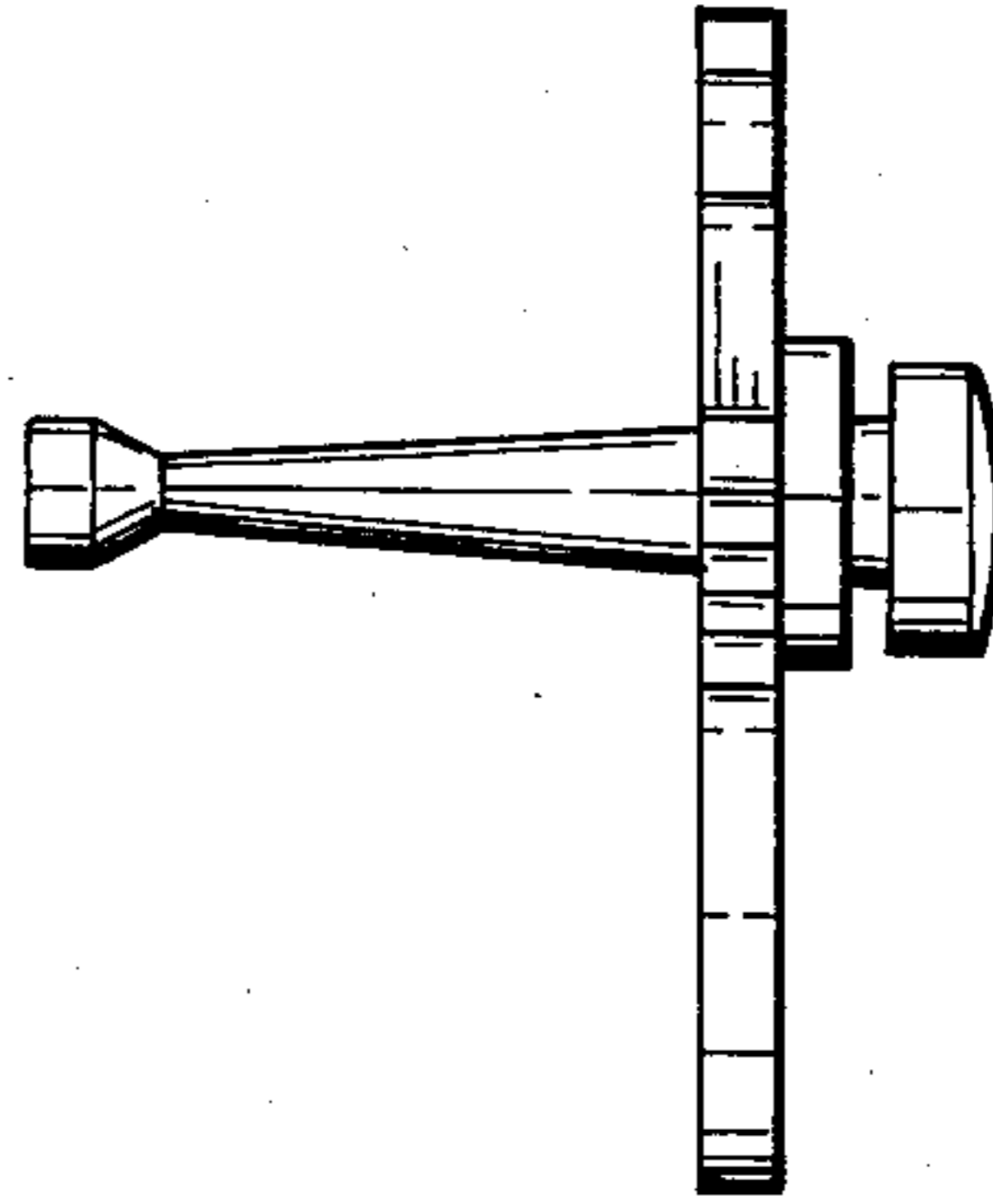


FIG 5

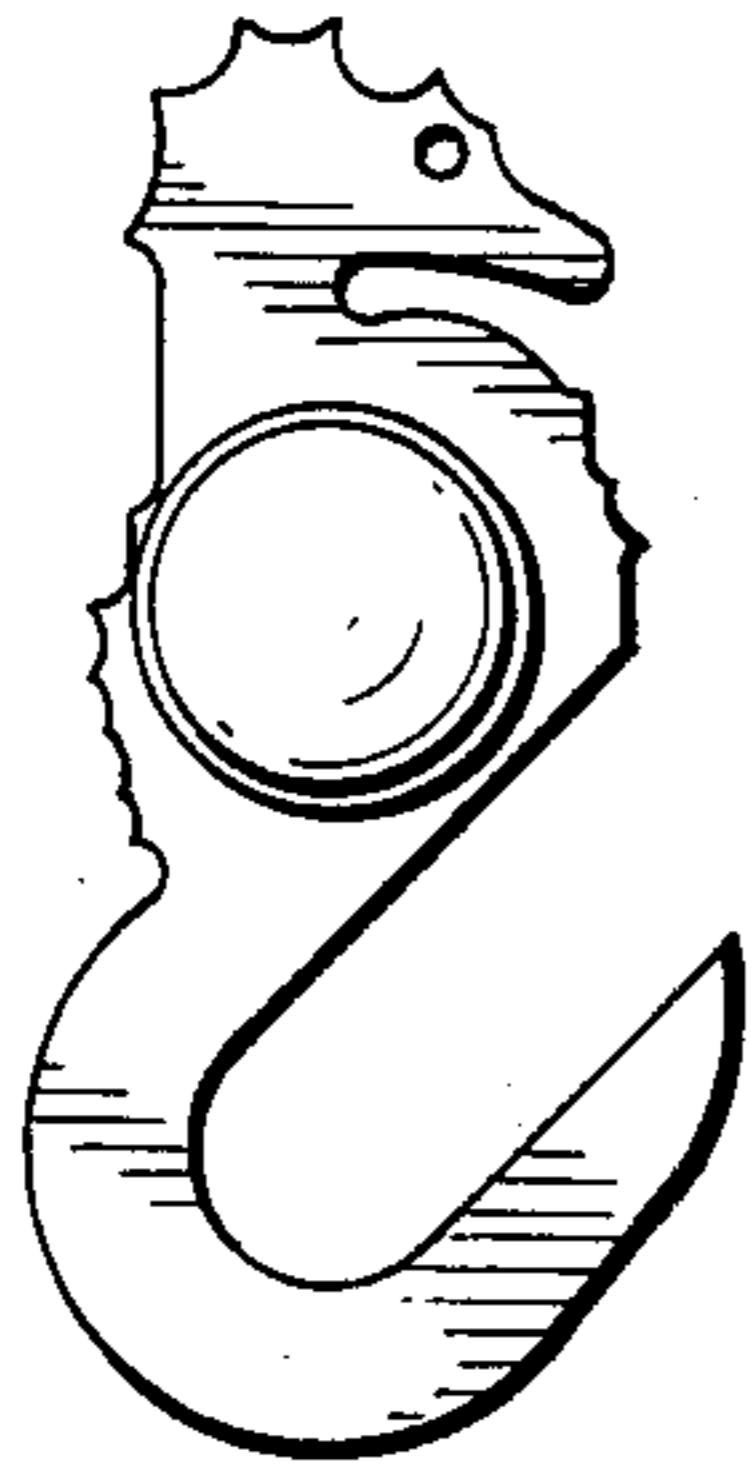


FIG 3

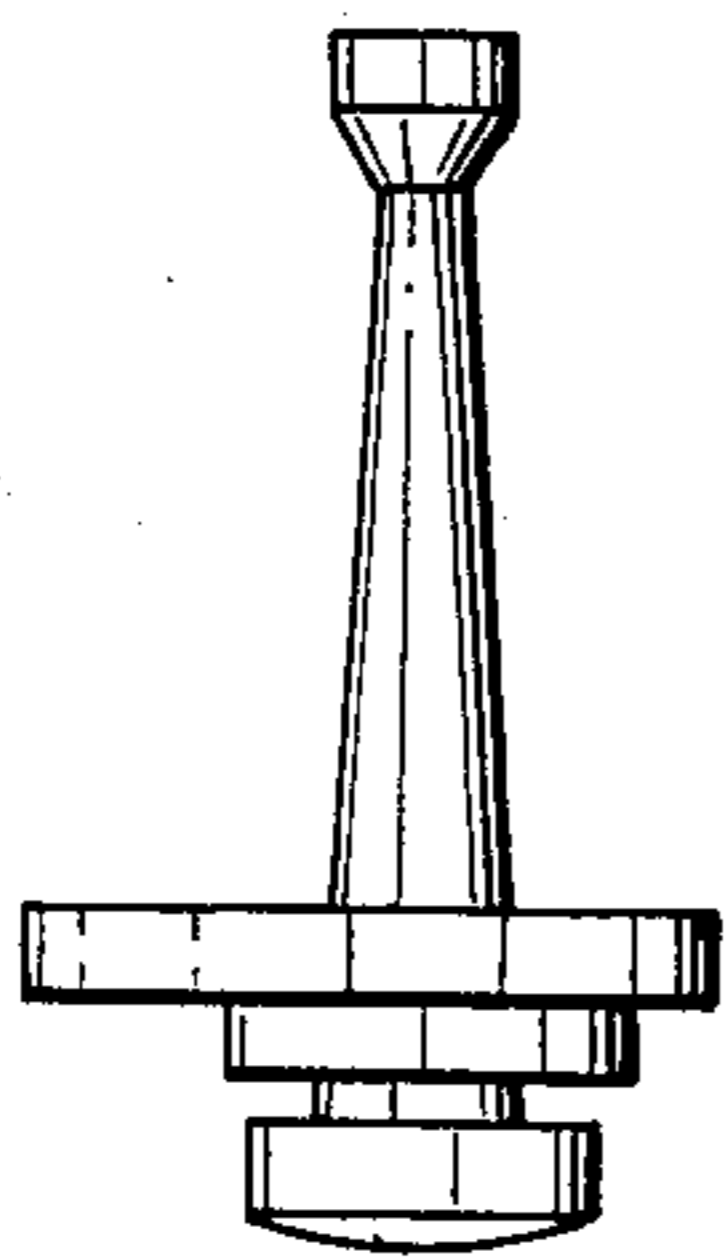
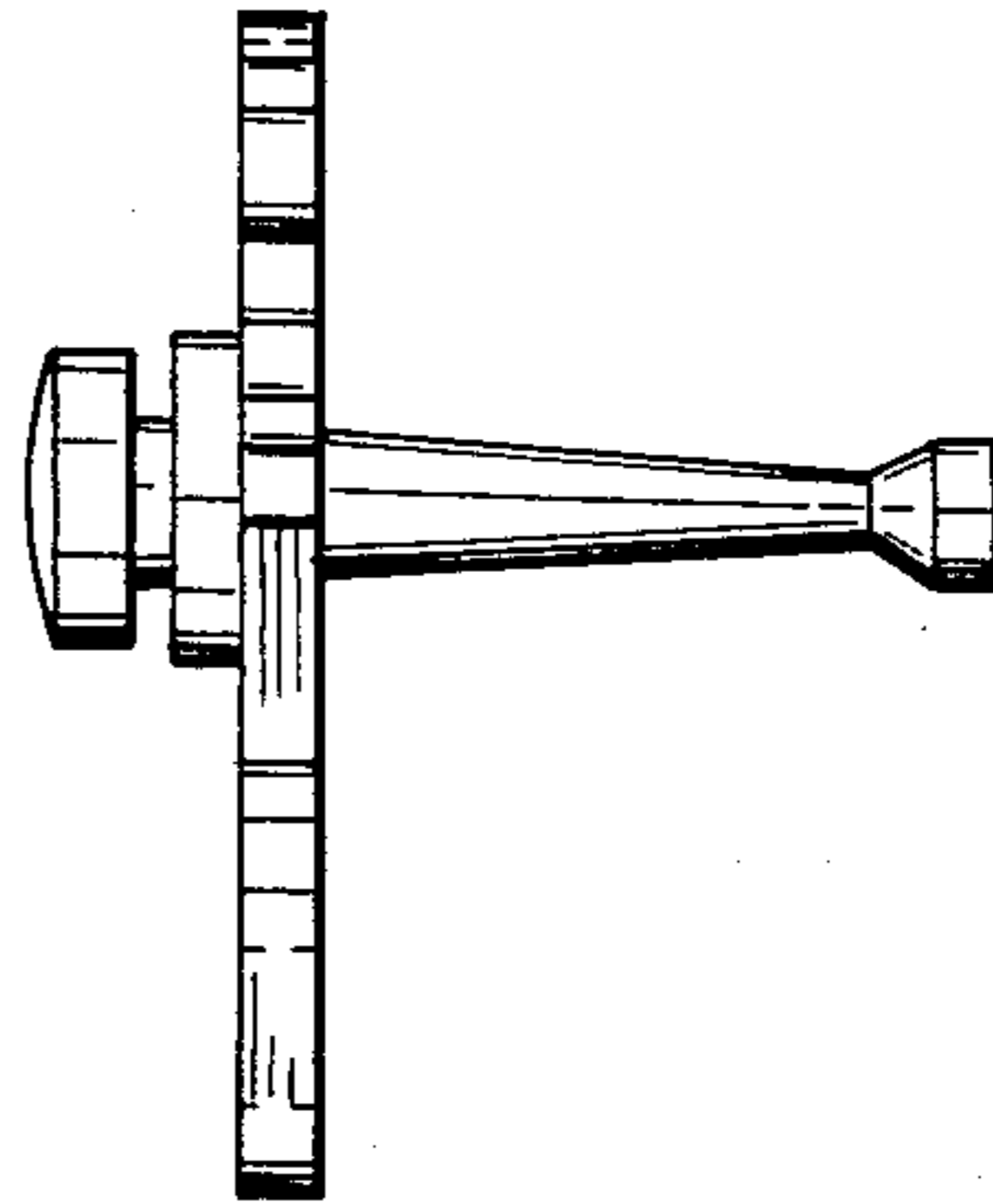


FIG 6

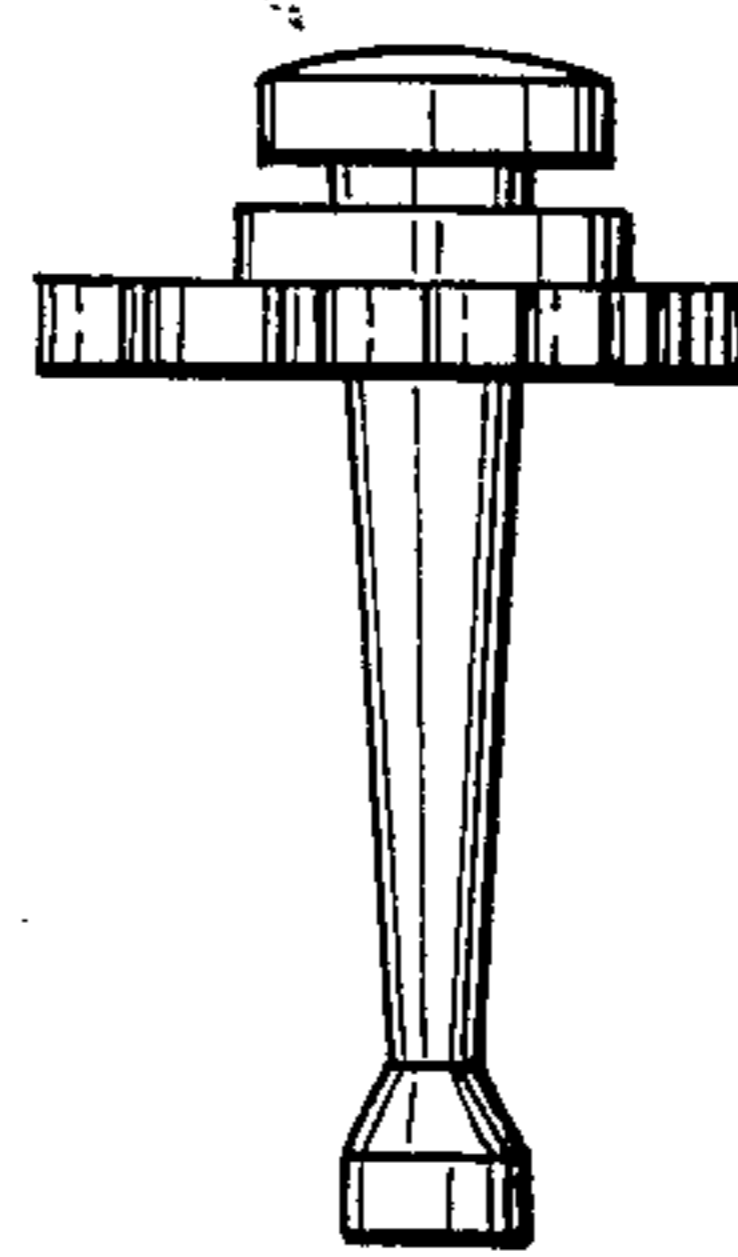


FIG 2