

[54] **WEIGHT LIFTING PHYSICAL EXERCISER**

[75] **Inventor: John Griffin, Salt Lake City, Utah**

[73] **Assignee: Hoggan Health Industries, Inc., Salt Lake City, Utah**

[\*\*] **Term: 14 Years**

[21] **Appl. No.: 919,865**

[22] **Filed: Oct. 16, 1986**

[52] **U.S. Cl. .... D21/191; D21/195**

[58] **Field of Search .... D21/191-199; 272/116, 117, 118, 130, 134, 143, 133, 136, 144**

[56] **References Cited**

**U.S. PATENT DOCUMENTS**

D. 230,613	3/1974	Coker et al. ....	272/130
4,623,144	11/1986	Rockwell .....	272/134
4,679,787	7/1987	Guilbault .....	272/134

*Primary Examiner*—Charles A. Rademaker  
*Attorney, Agent, or Firm*—Philip A. Mallinckrodt;  
Robert R. Mallinckrodt

[57] **CLAIM**

The ornamental design for a weight lifting physical exerciser, as shown and described.

**DESCRIPTION**

FIG. 1 is a right side elevational view of a weight lifting physical exerciser showing my new design, the left side being a mirror image thereof;

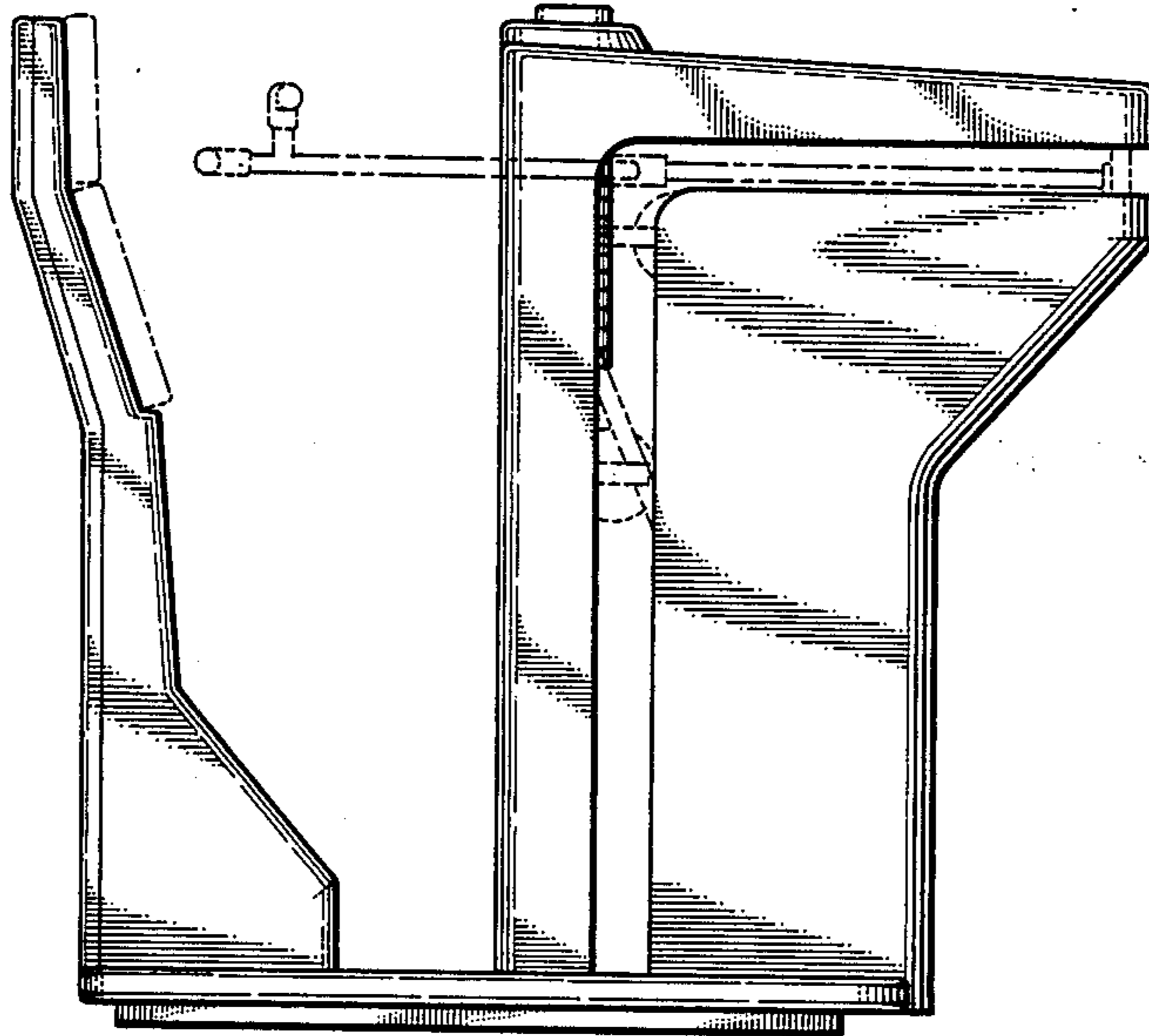
FIG. 2 is a top plan view thereof;

FIG. 3 is a bottom plan view thereof;

FIG. 4 is a front elevational view thereof; and

FIG. 5 is a rear elevational view thereof.

The broken line showing of structural members in FIGS. 1 through 5 is for illustrative purposes only and forms no part of the claimed design.



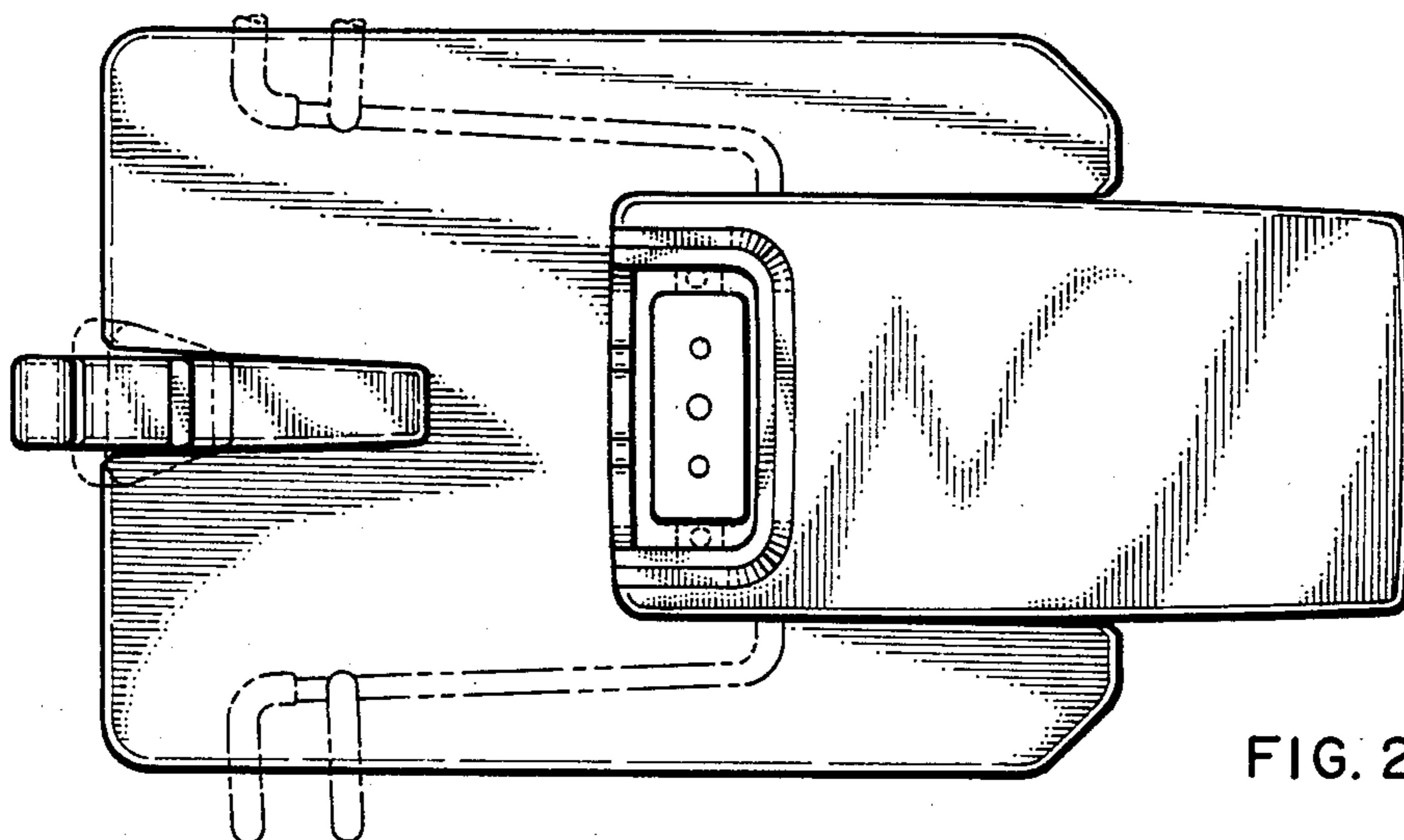


FIG. 2

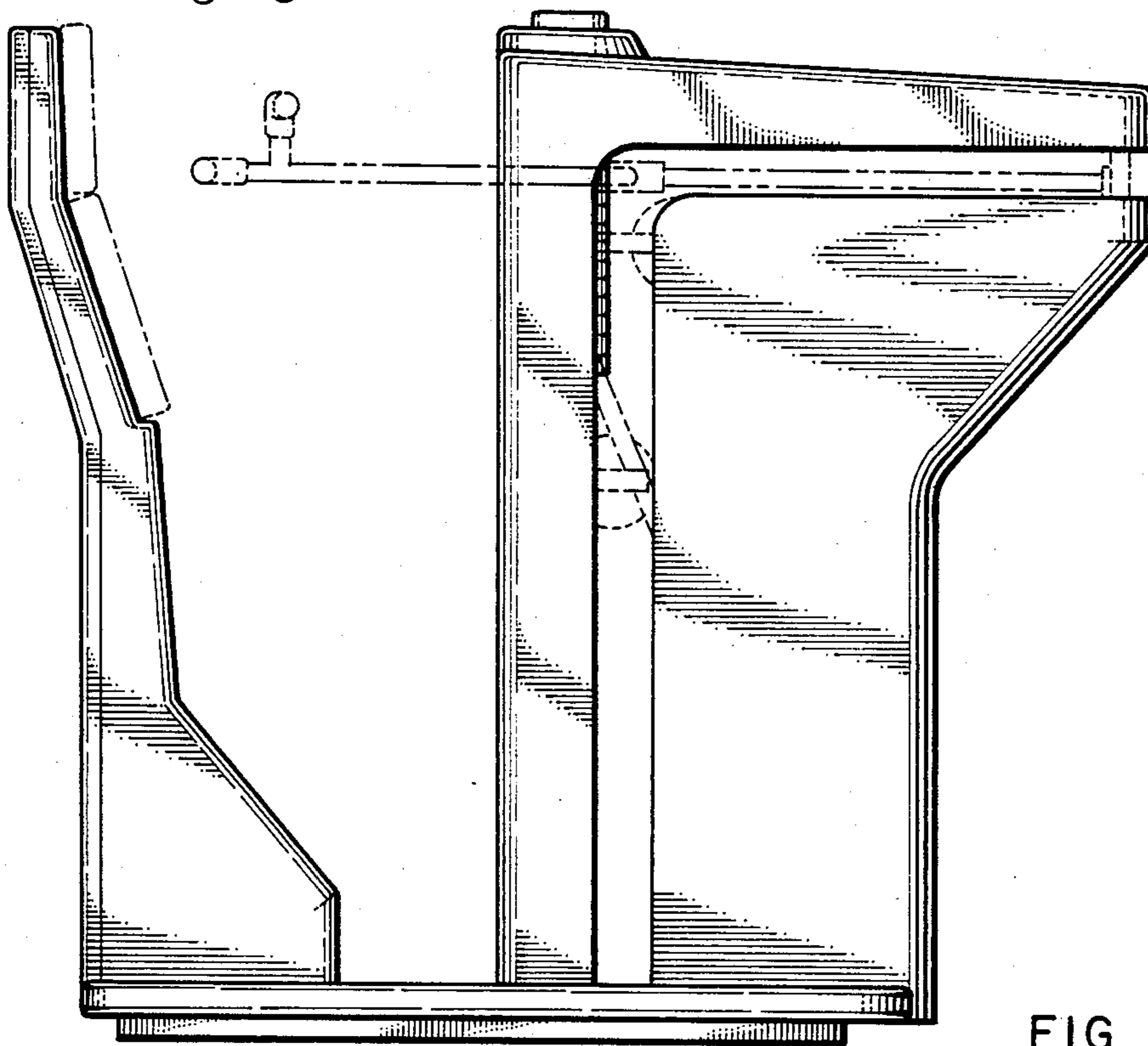


FIG. 1

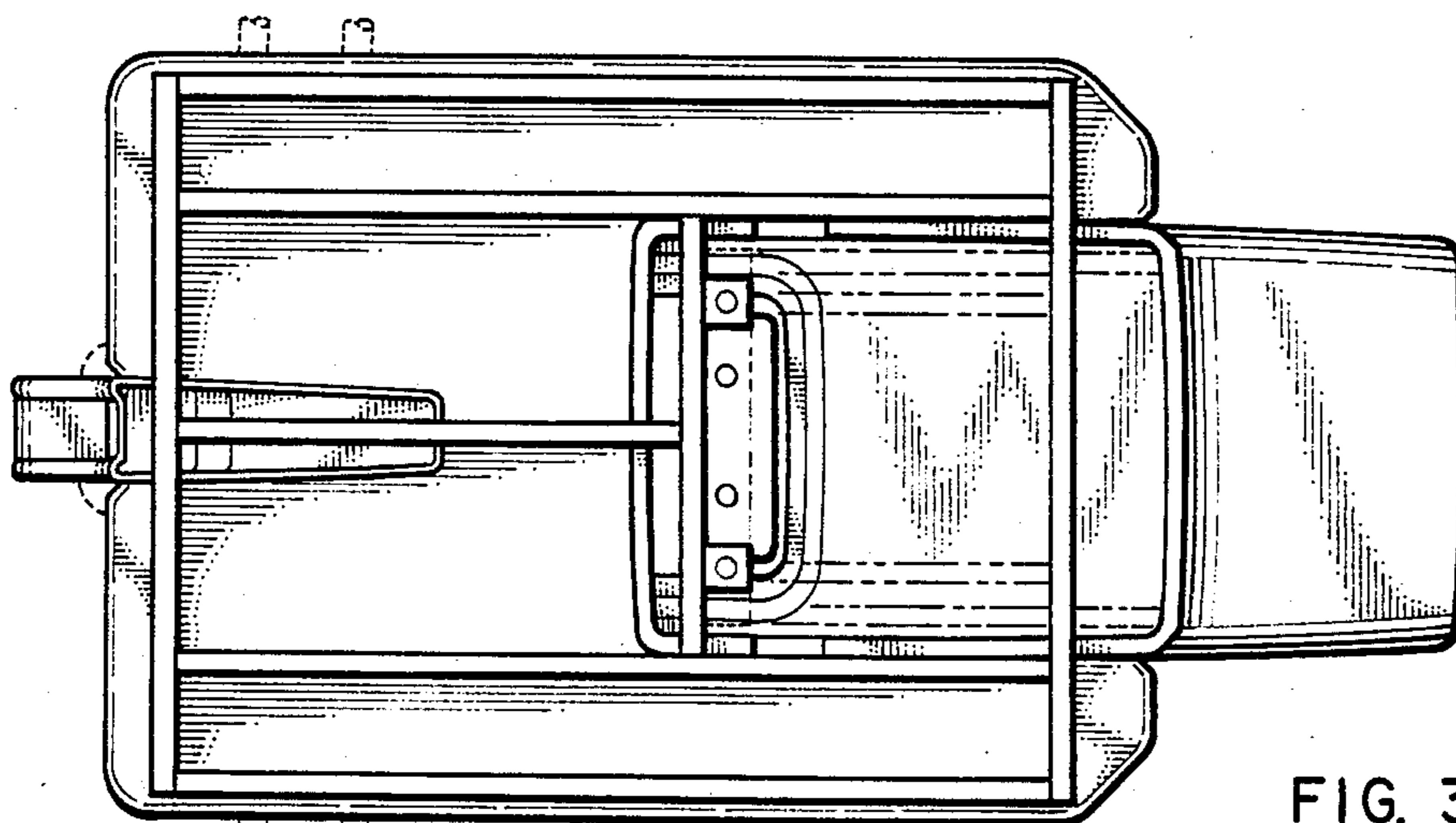


FIG. 3

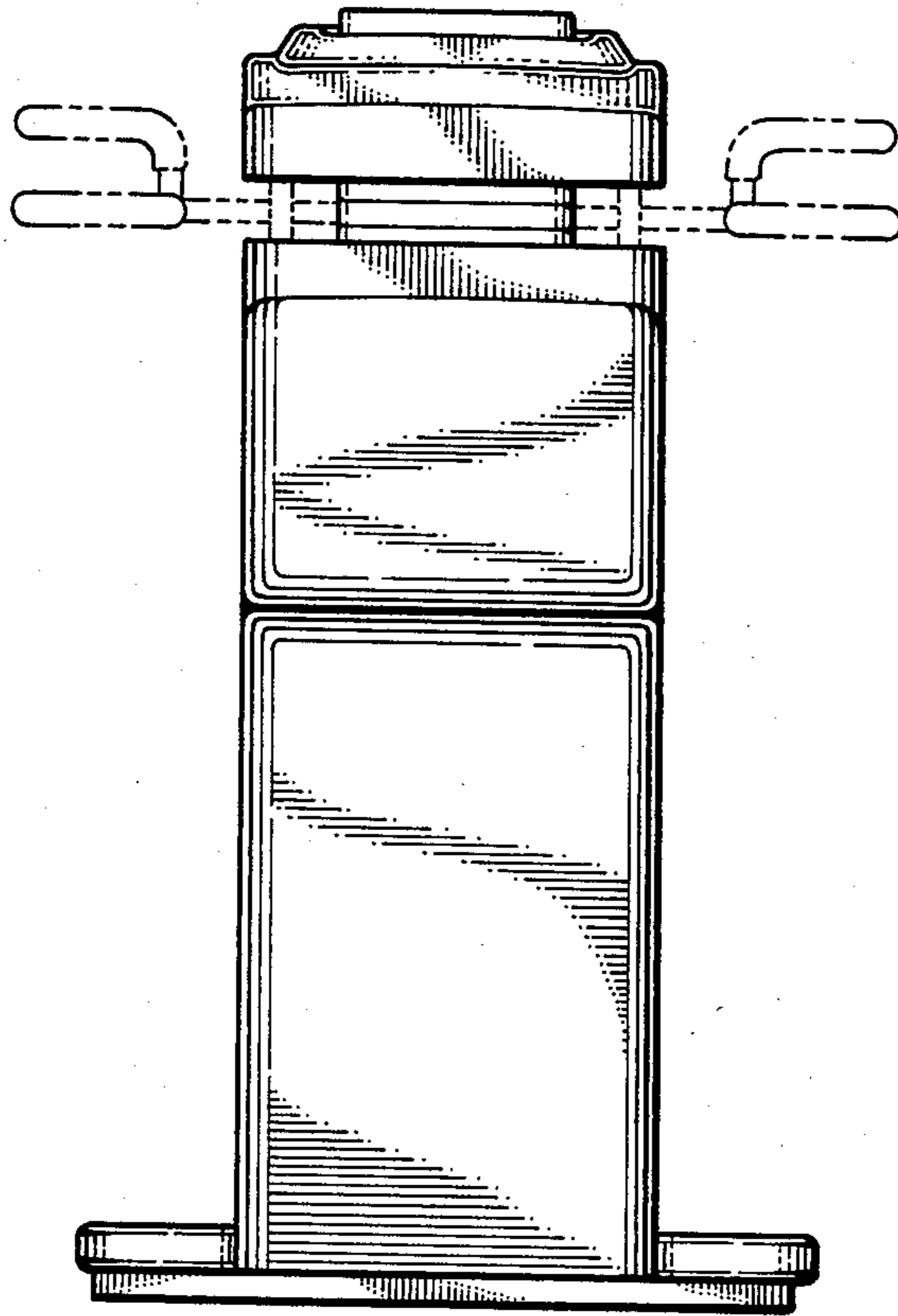


FIG. 4

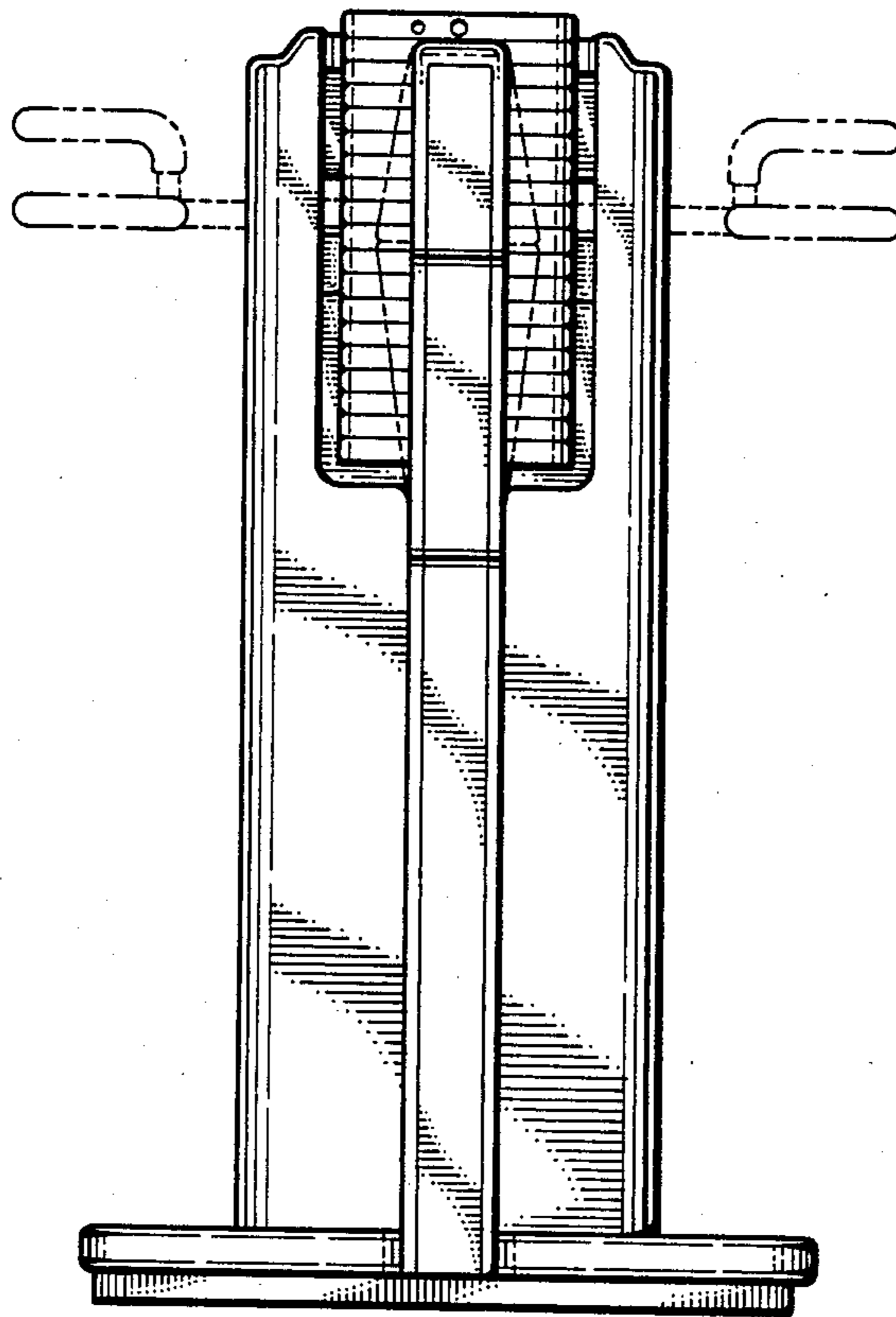


FIG. 5