

[54] DISPLAY SIGN

[76] Inventors: James P. Pawlik, 5592 Lory Dr., Greendale, Wis. 53129; Margaret A. Erdell, 225 Fairway Dr., Brookfield, Wis. 53005

[**] Term: 14 Years

[21] Appl. No.: 826,736

[22] Filed: Feb. 6, 1986

[52] U.S. Cl. D20/10

[58] Field of Search D20/10, 16-21, D20/41, 42, 43; 40/541, 564, 568, 575, 576, 584, 591, 592, 597, 598, 605, 606, 607, 611, 612

[56] References Cited

U.S. PATENT DOCUMENTS

2,114,711	4/1938	Horinstein	40/564 X
3,824,726	7/1974	Schubert	40/564 X
3,905,139	9/1975	Cooper	40/568 X

Primary Examiner—Susan J. Lucas
Attorney, Agent, or Firm—Ronald E. Barry

[57] CLAIM

The ornamental design for a display sign, as shown.

DESCRIPTION

FIG. 1 is a front perspective view of a display sign showing our new design;

FIG. 2 is a rear perspective view thereof;

FIG. 3 is a front elevational view thereof;

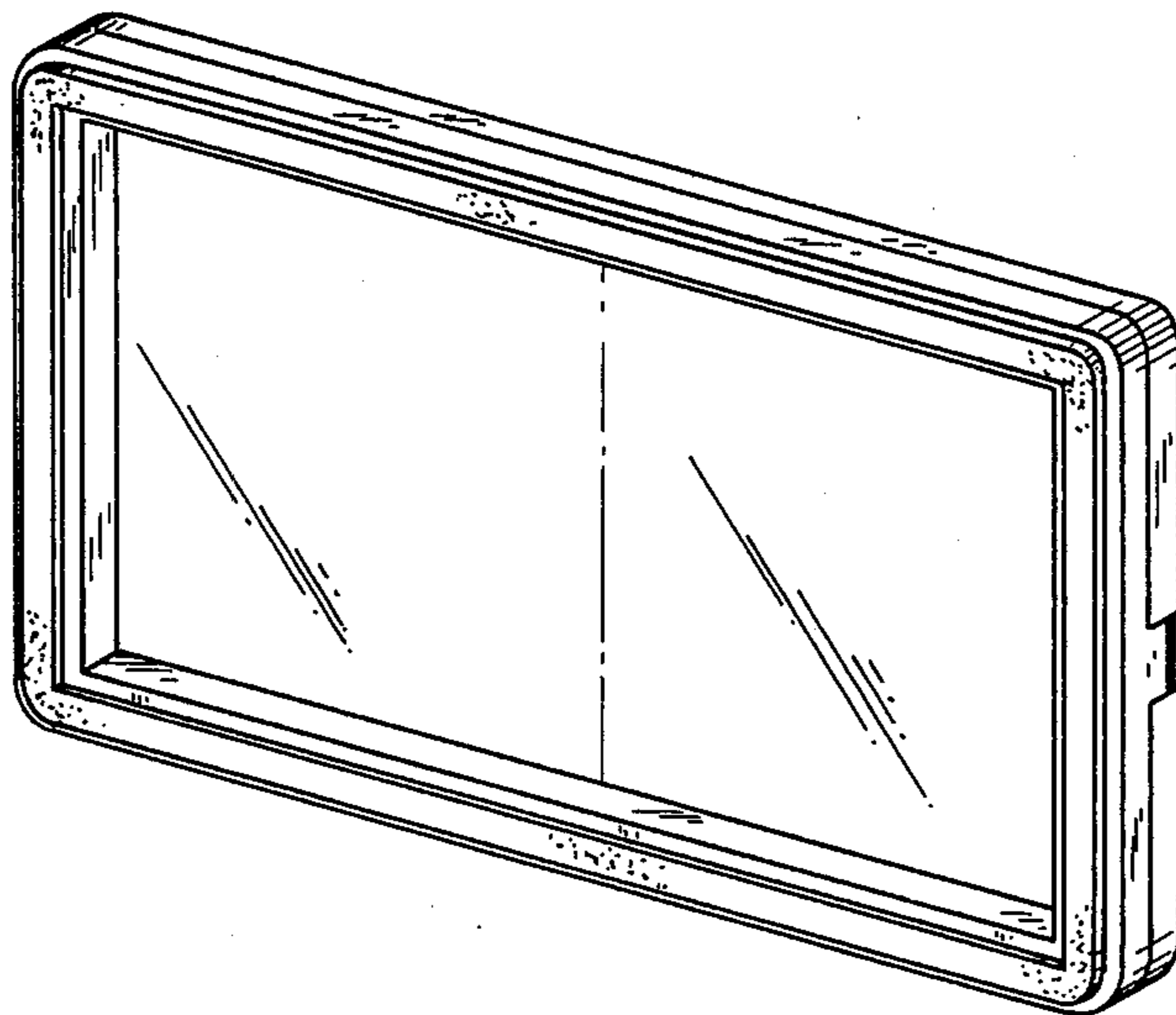
FIG. 4 is a left side elevational view thereof;

FIG. 5 is a right side elevational view thereof;

FIG. 6 is a top plan view thereof;

FIG. 7 is a bottom plan view thereof; and

FIG. 8 is a rear elevational view thereof.



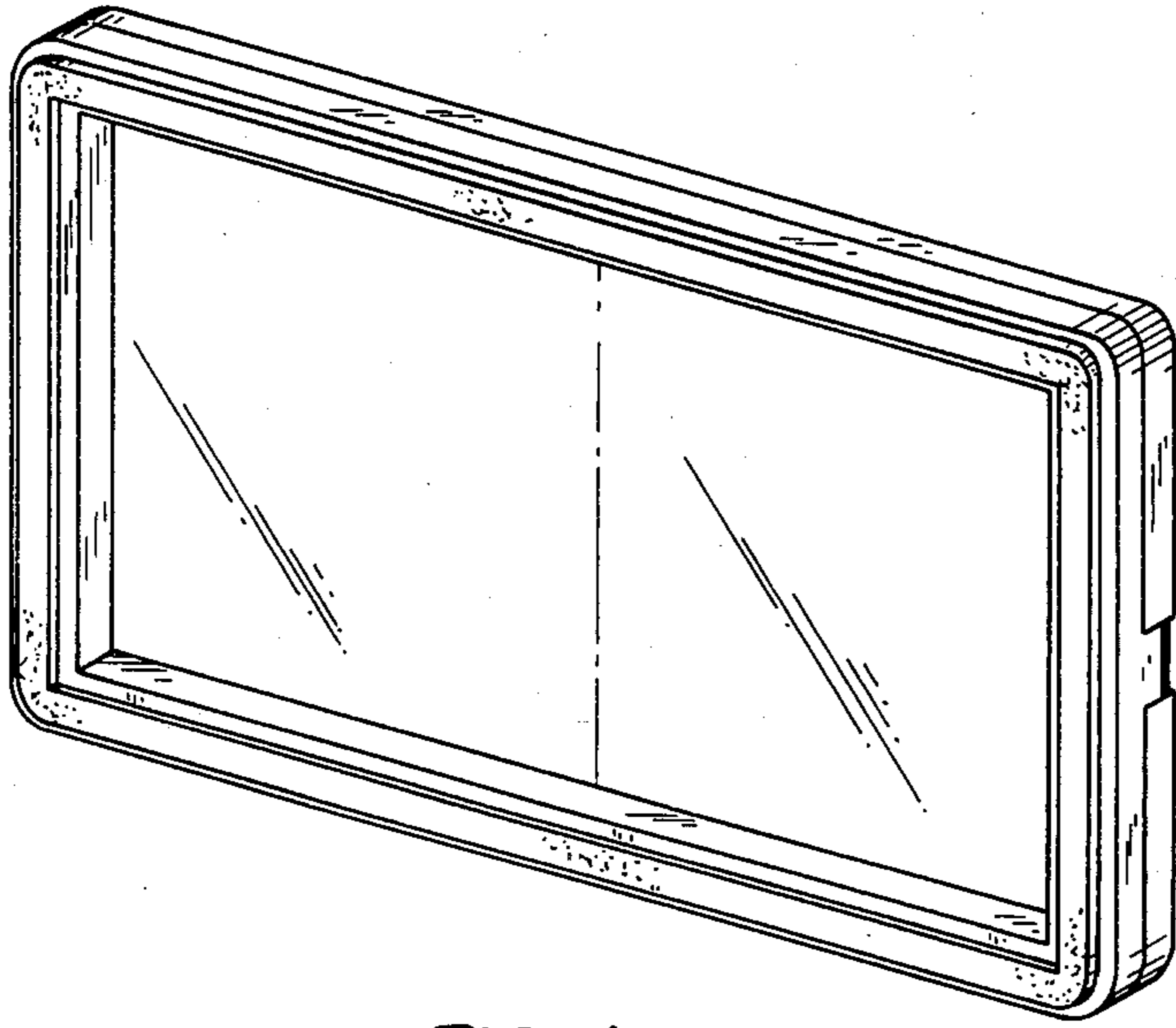


FIG. 1

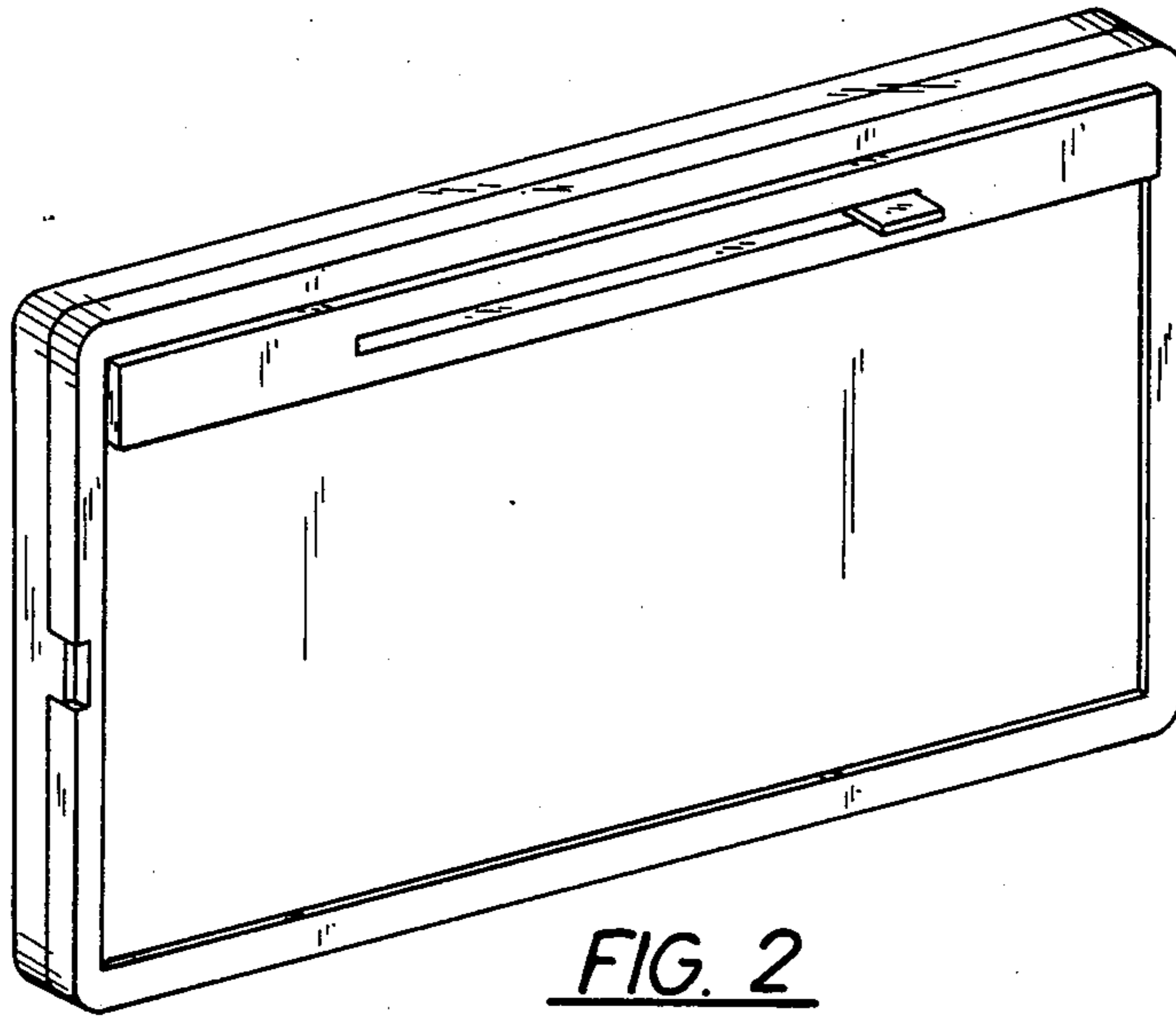


FIG. 2

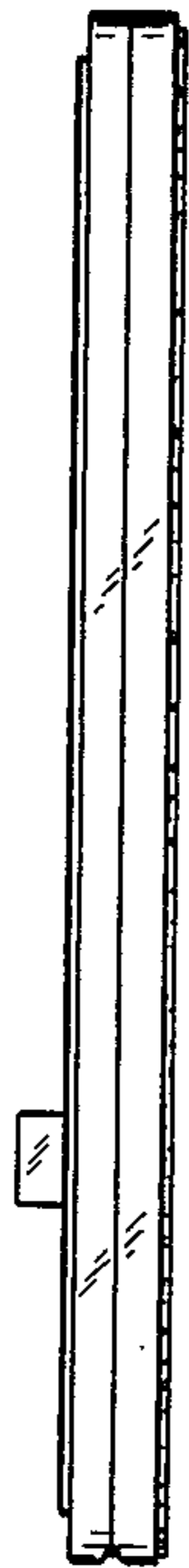


FIG. 6

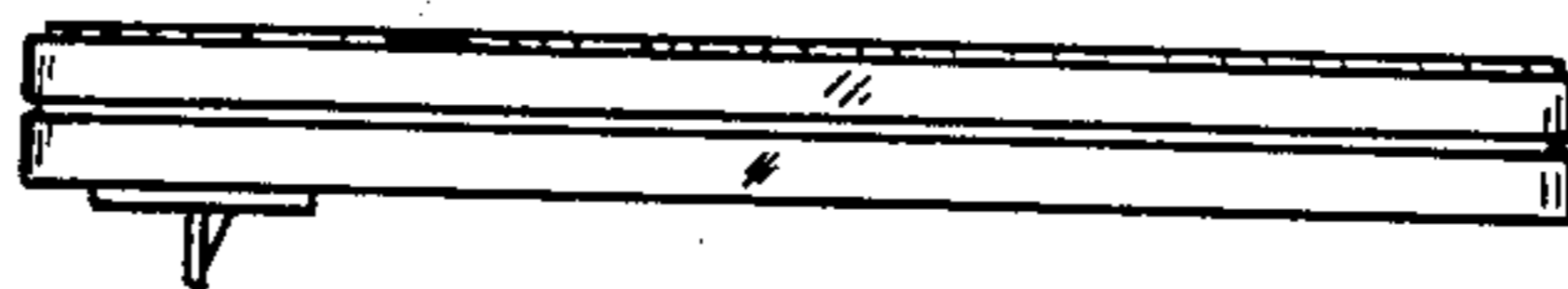


FIG. 4

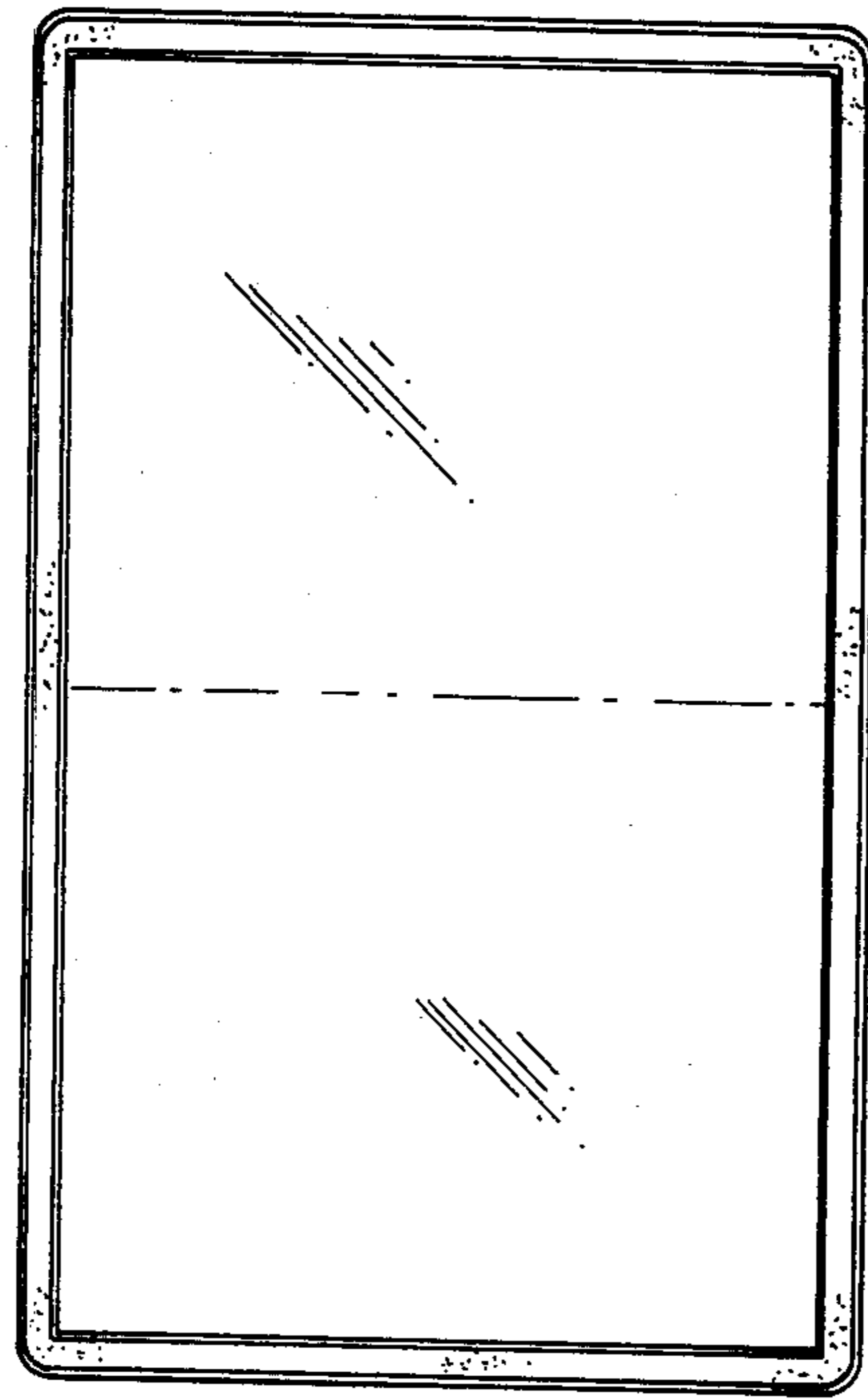


FIG. 3

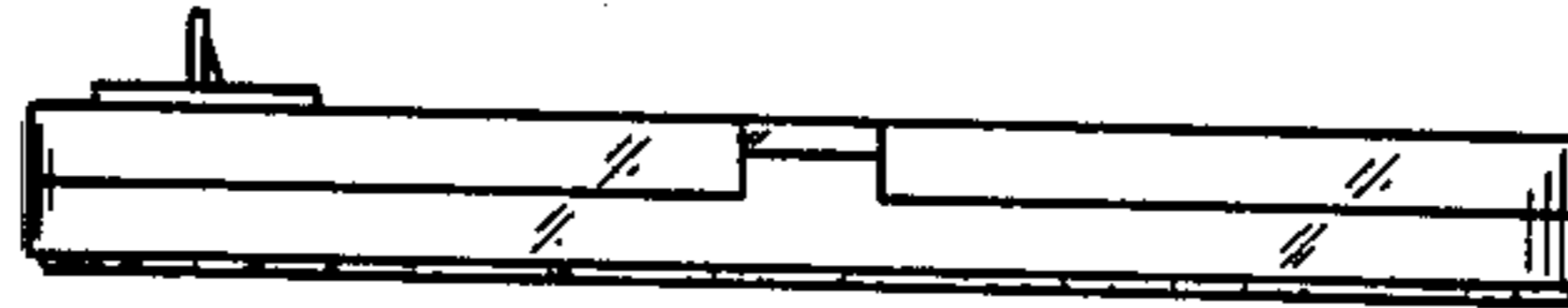


FIG. 5

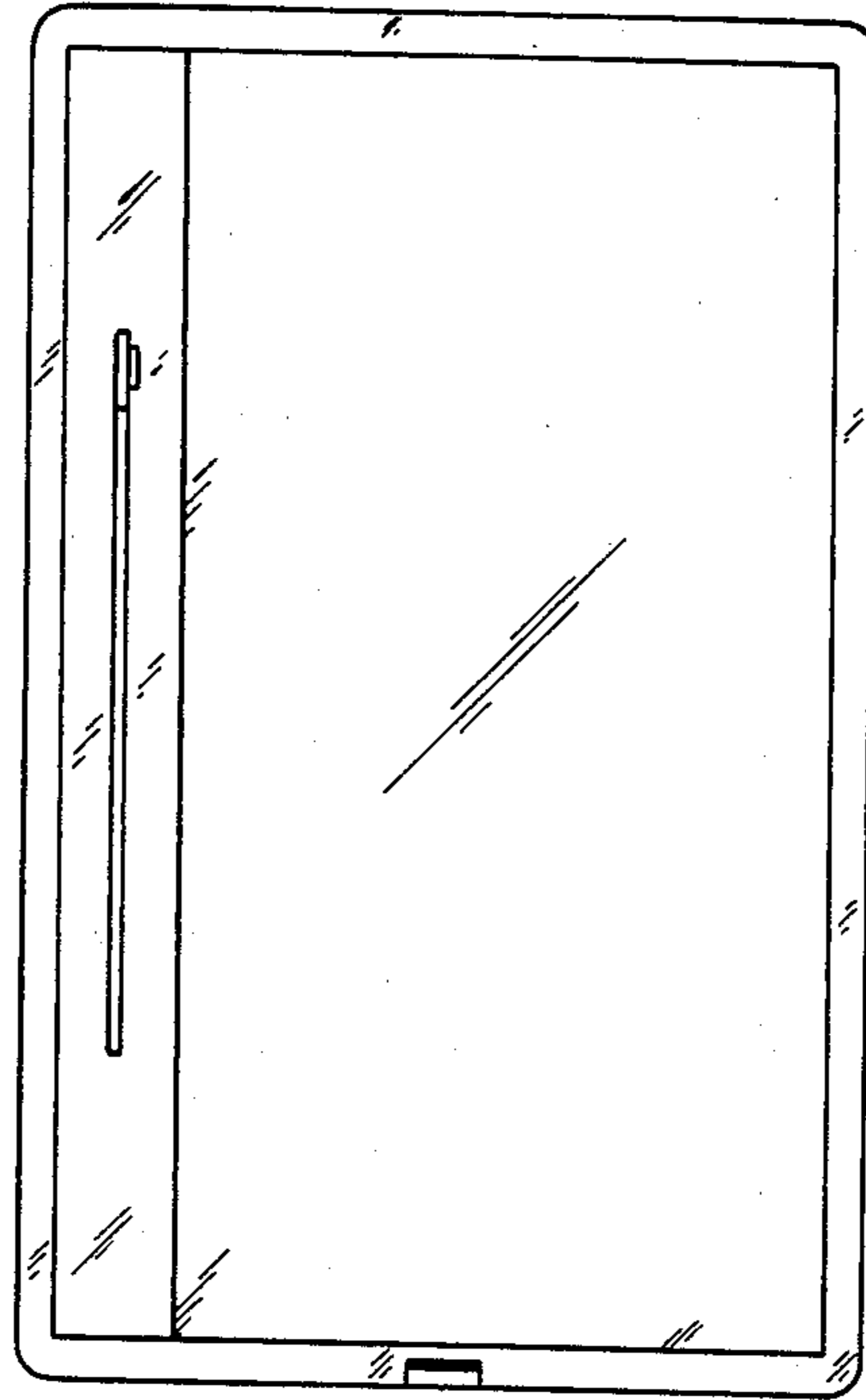


FIG. 8

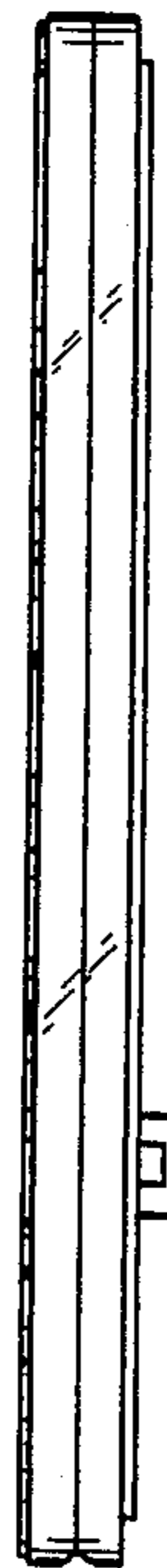


FIG. 7