

United States Patent [19]

Howard et al.

[11] Patent Number: Des. 300,636

[45] Date of Patent: ** Apr. 11, 1989

[54] MACHINE FOR FORMING CONCRETE

[75] Inventors: William H. Howard; Patrick W. Kincaid, both of Costa Mesa, Calif.

[73] Assignee: Creatuve Curb, Inc., Tustin, Calif.

[**] Term: 14 Years

[21] Appl. No.: 771,830

[22] Filed: Sep. 3, 1985

[52] U.S. Cl. D15/10

[58] Field of Search D15/10, 13, 19; 425/62, 425/64; 404/96, 97, 98, 102

[56] References Cited

U.S. PATENT DOCUMENTS

D. 278,822 5/1985 Neal D15/10
3,240,184 3/1966 Mieux et al. 118/108
3,585,911 6/1971 Vlastic 404/98

3,733,141 5/1973 James, III 404/98
4,310,293 1/1982 Eggleton 425/62
4,566,823 1/1986 May 425/62

Primary Examiner—Bruce W. Dunkins
Assistant Examiner—Ruth Takemoto
Attorney, Agent, or Firm—Plante Strauss Vanderburgh

[57] CLAIM

The ornamental design for a machine for forming concrete, as shown.

DESCRIPTION

FIG. 1 is a top plan view of a machine for forming concrete showing our new design;
FIG. 2 is a right side elevational view thereof;
FIG. 3 is a left side elevational view thereof;
FIG. 4 is a front elevational view thereof;
FIG. 5 is a rear elevational view thereof; and
FIG. 6 is a top, front and right side perspective view thereof.

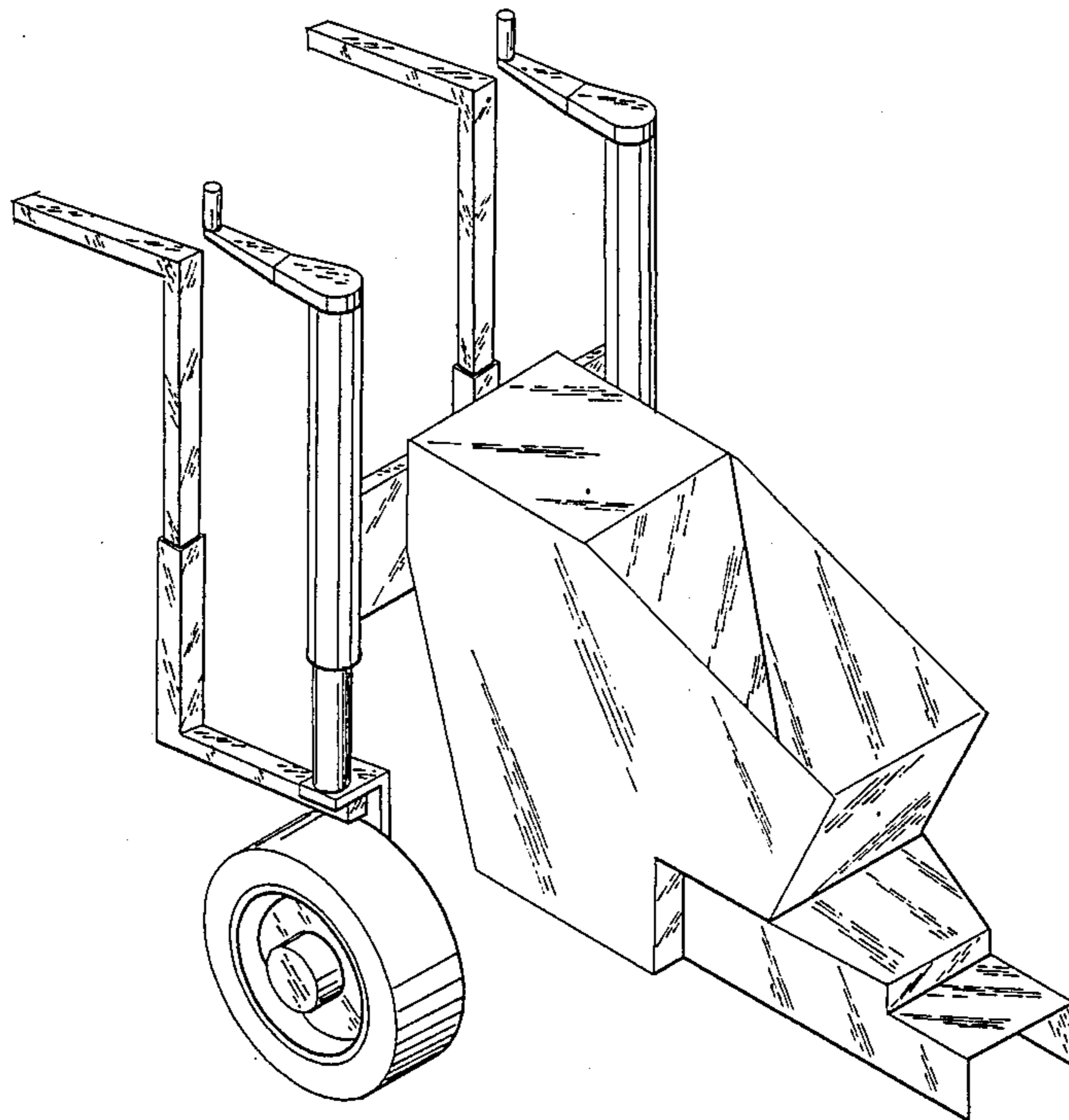


FIGURE 1

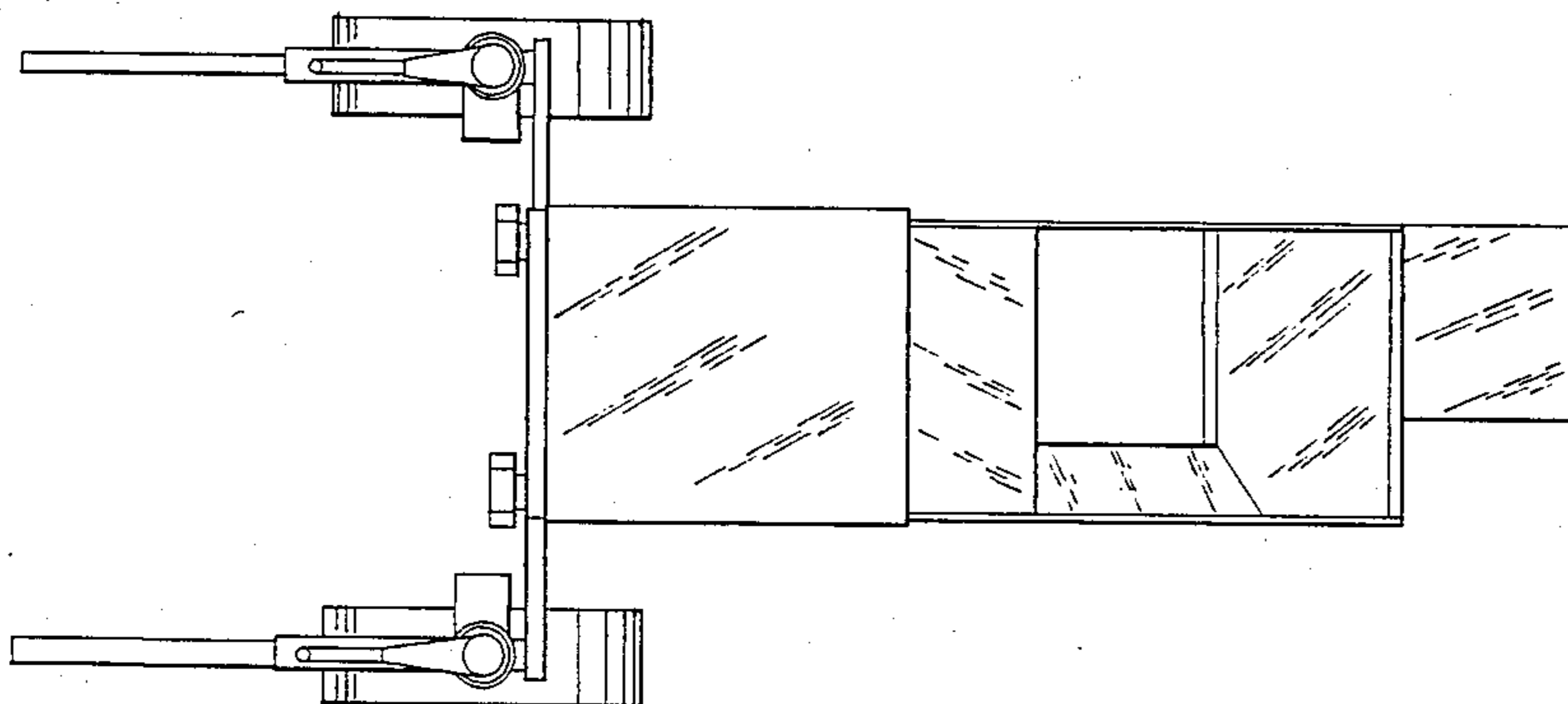


FIGURE 2

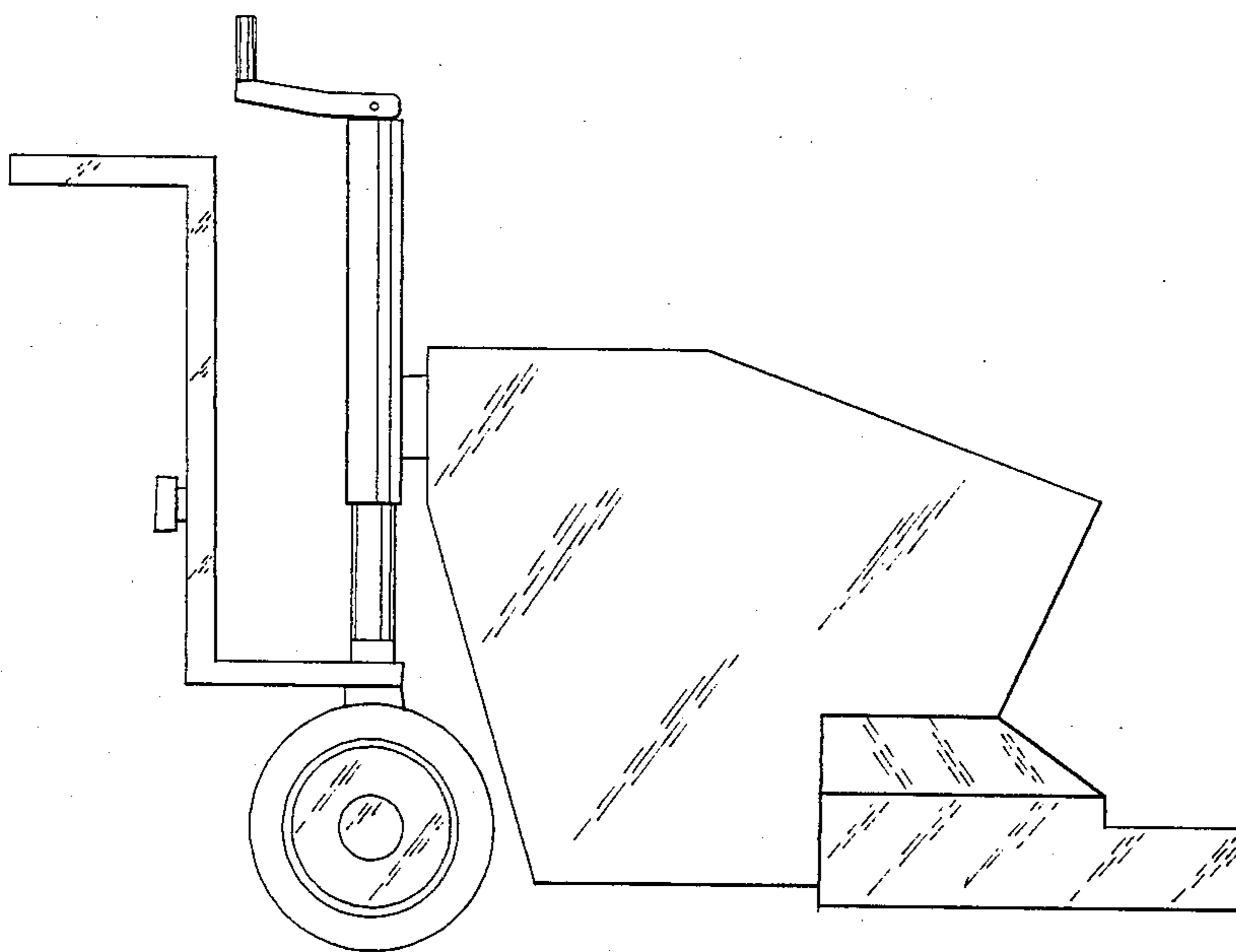


FIGURE 3

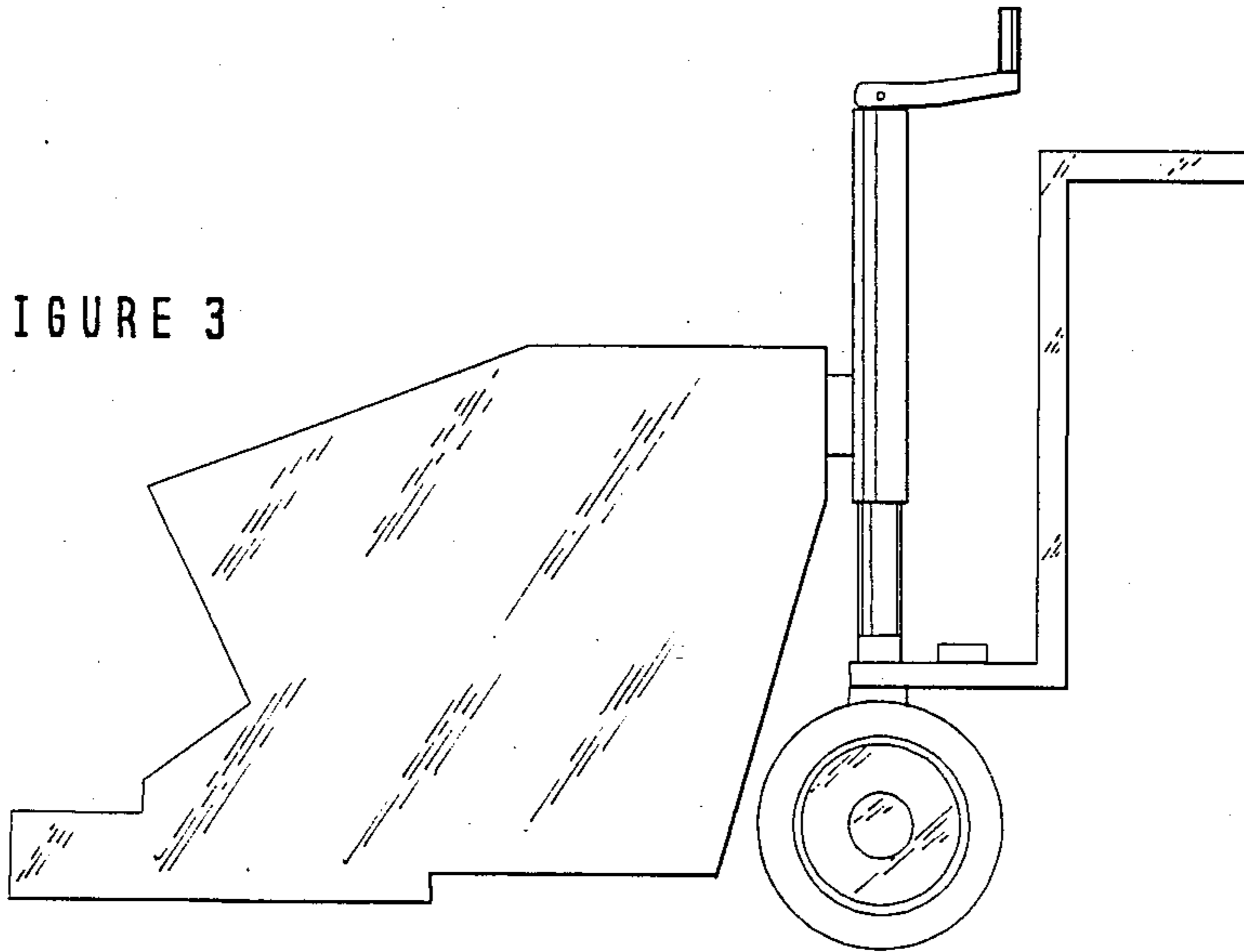


FIGURE 4

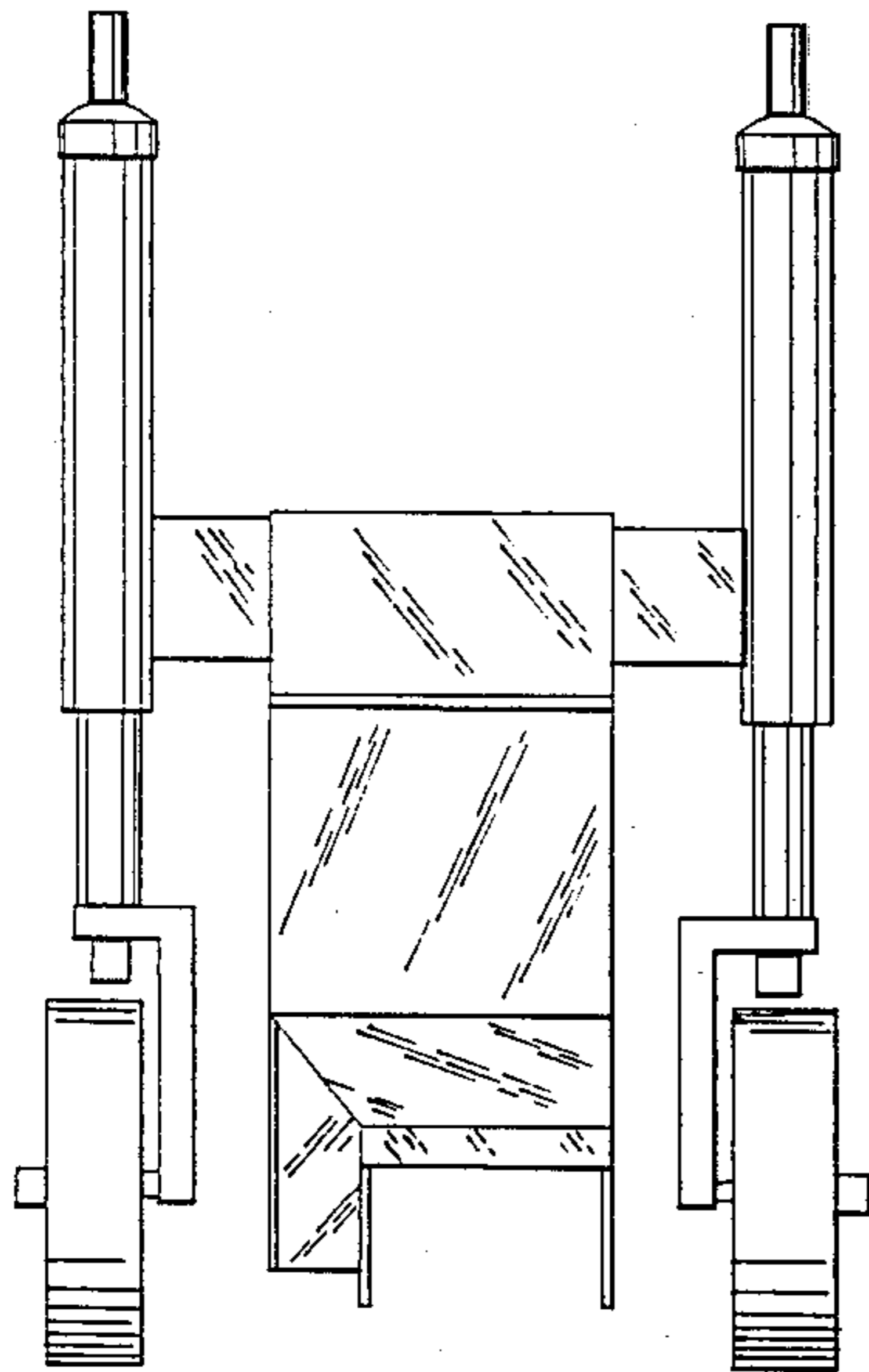
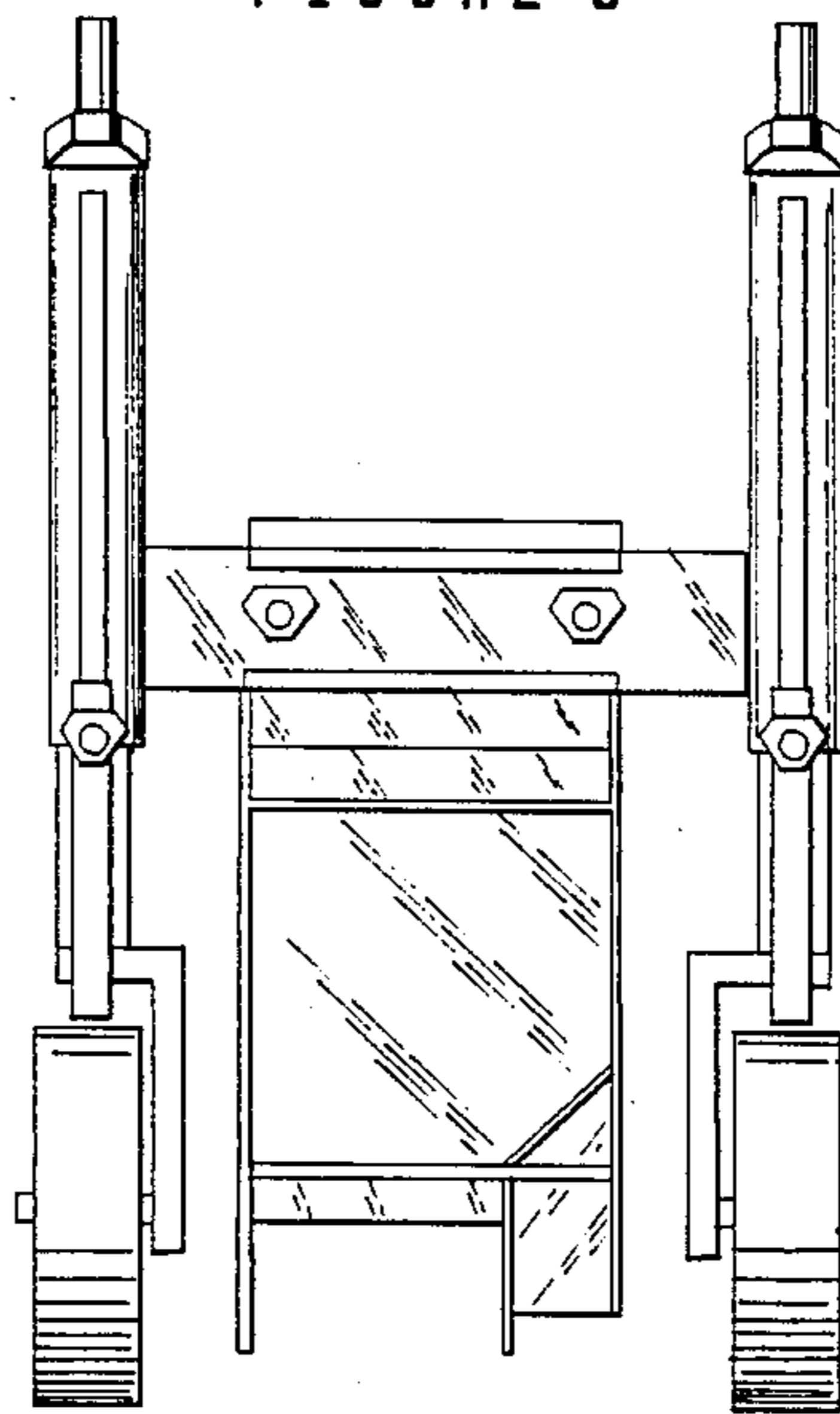


FIGURE 5



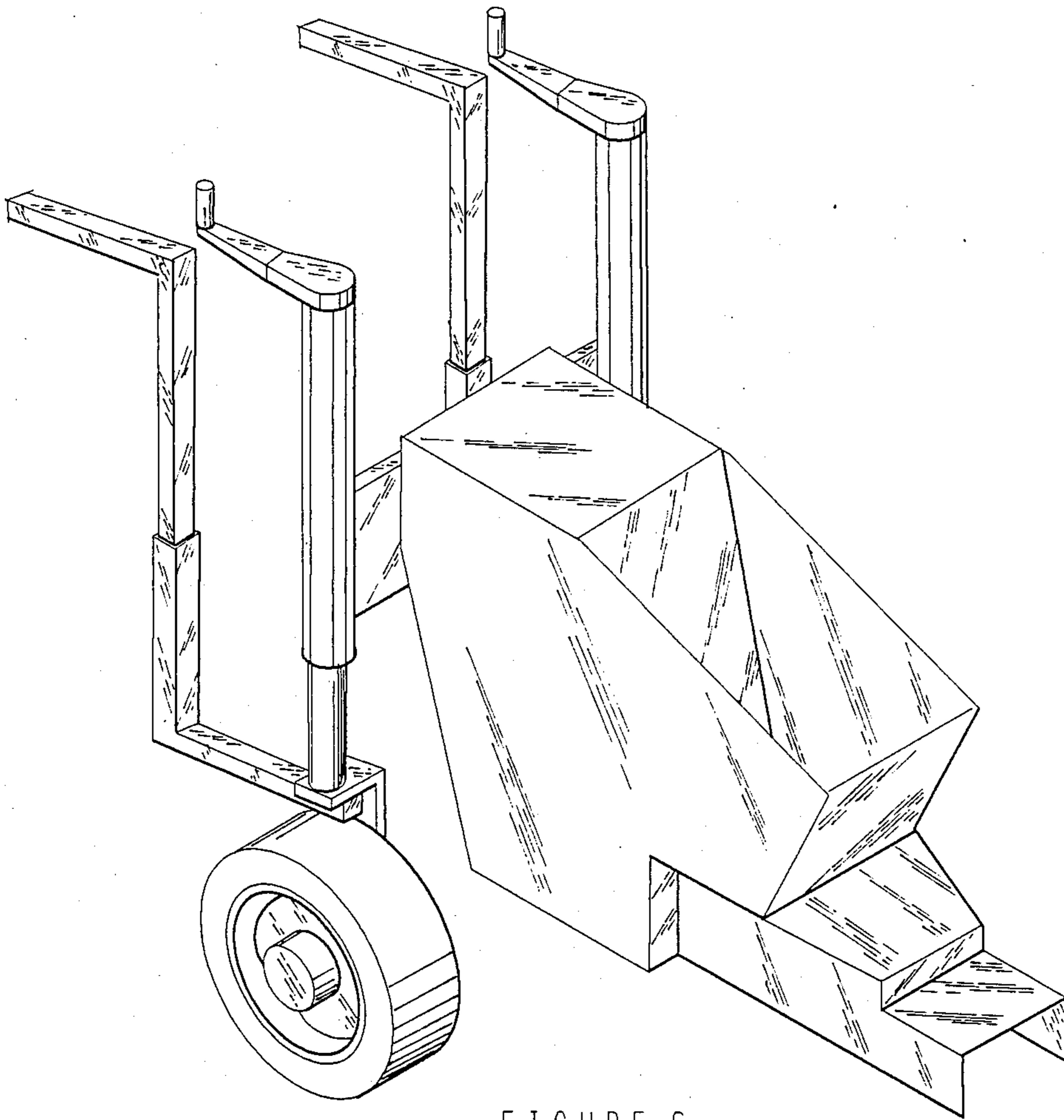


FIGURE 6