

[54] COMBINED RADIO AND TELEVISION RECEIVER

[75] Inventors: Katsuhiko Makino, Hirakata; Tsugio Akita, Osaka; Mitsunari Fujii; Hiroaki Nishiyori, both of Takatsuki; Toyoyuki Uematsu, Suita; Yoshiaki Kawata, Kawanishi; Hiroshi Yasuno, Hirakata, all of Japan

[73] Assignee: Matsushita Electric Industrial Co., Ltd., Osaka, Japan

[**] Term: 14 Years

[21] Appl. No.: 917,931

[22] Filed: Oct. 14, 1986

[30] Foreign Application Priority Data

Apr. 14, 1986 [JP] Japan 61-13734
[52] U.S. Cl. D14/131
[58] Field of Search D14/1, 5, 6, 68-77, D14/79-81; 455/344, 347, 350, 351

[56] References Cited

U.S. PATENT DOCUMENTS

- D. 278,535 4/1985 Sujanani D14/68
- D. 284,473 7/1986 Ohtsu D14/77
- D. 286,287 10/1986 Toth et al. D14/70 X
- D. 288,321 2/1987 Ohtsu D14/6 X
- D. 294,700 3/1988 Sakuta D14/80 X
- 4,646,158 2/1987 Ohno et al. D14/77 X

Primary Examiner—Bernard Ansher
Assistant Examiner—Theodore M. Shooman

Attorney, Agent, or Firm—Sughrue, Mion, Zinn, Macpeak & Seas

[57] CLAIM

The ornamental design for a combined radio and television receiver, as shown and described.

DESCRIPTION

FIG. 1 is a front, top and left side perspective view of a combined radio and television receiver showing our new design;

FIG. 2 is a rear, bottom and right side perspective view thereof;

FIG. 3 is a top plan view thereof;

FIG. 4 is a rear elevational view thereof;

FIG. 5 is a front elevational view thereof;

FIG. 6 is an elevational view of the interior thereof, with the hinged casing halves pivoted to open in-line position;

FIG. 7 is an elevational view of the exterior thereof, with the casing halves pivoted to open in-line position;

FIG. 8 is a top plan view with the casing halves in open in-line position;

FIG. 9 is a perspective view of the interior thereof, with the casing halves pivoted to open in-line position;

FIG. 10 is a perspective view thereof with the casing halves open in-line and in laid down position and with a pivotable viewing cover in raised, oblique position;

FIG. 11 is a perspective view thereof, diametrically opposite to that of FIG. 10; and

FIG. 12 is a perspective view thereof with the casing halves open and at 90° to each other and with the antenna partially extended.

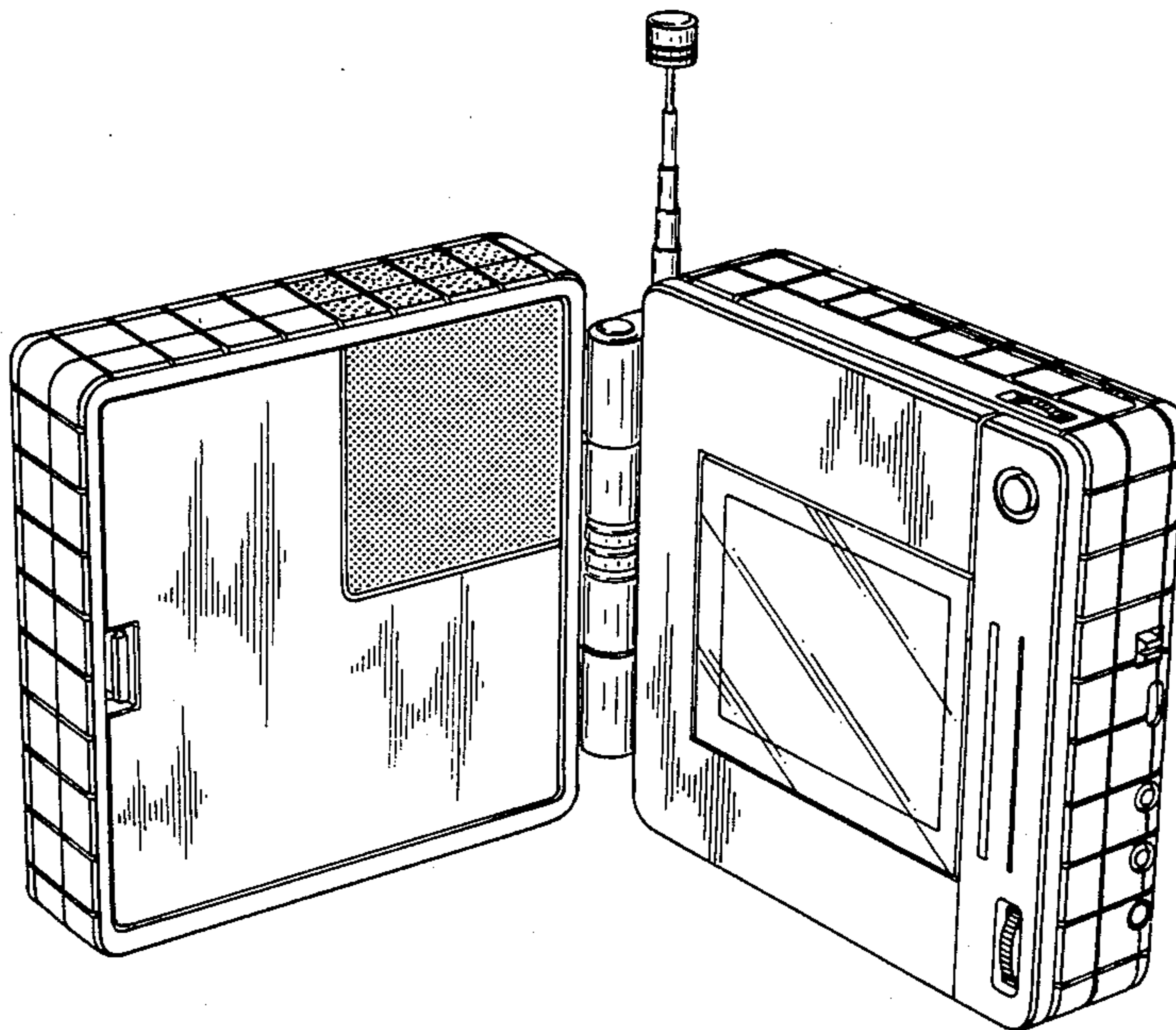


FIG. 1

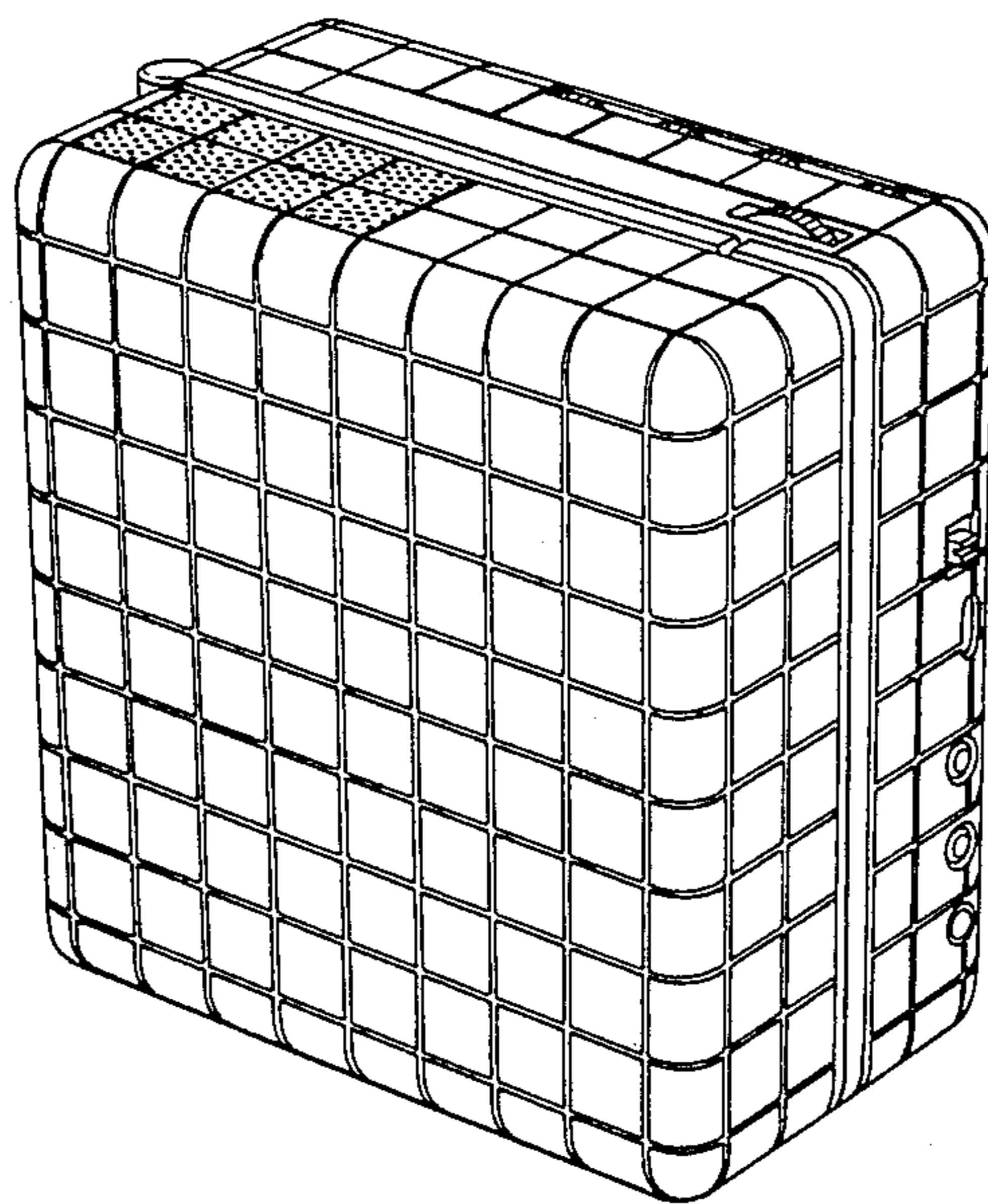


FIG. 2

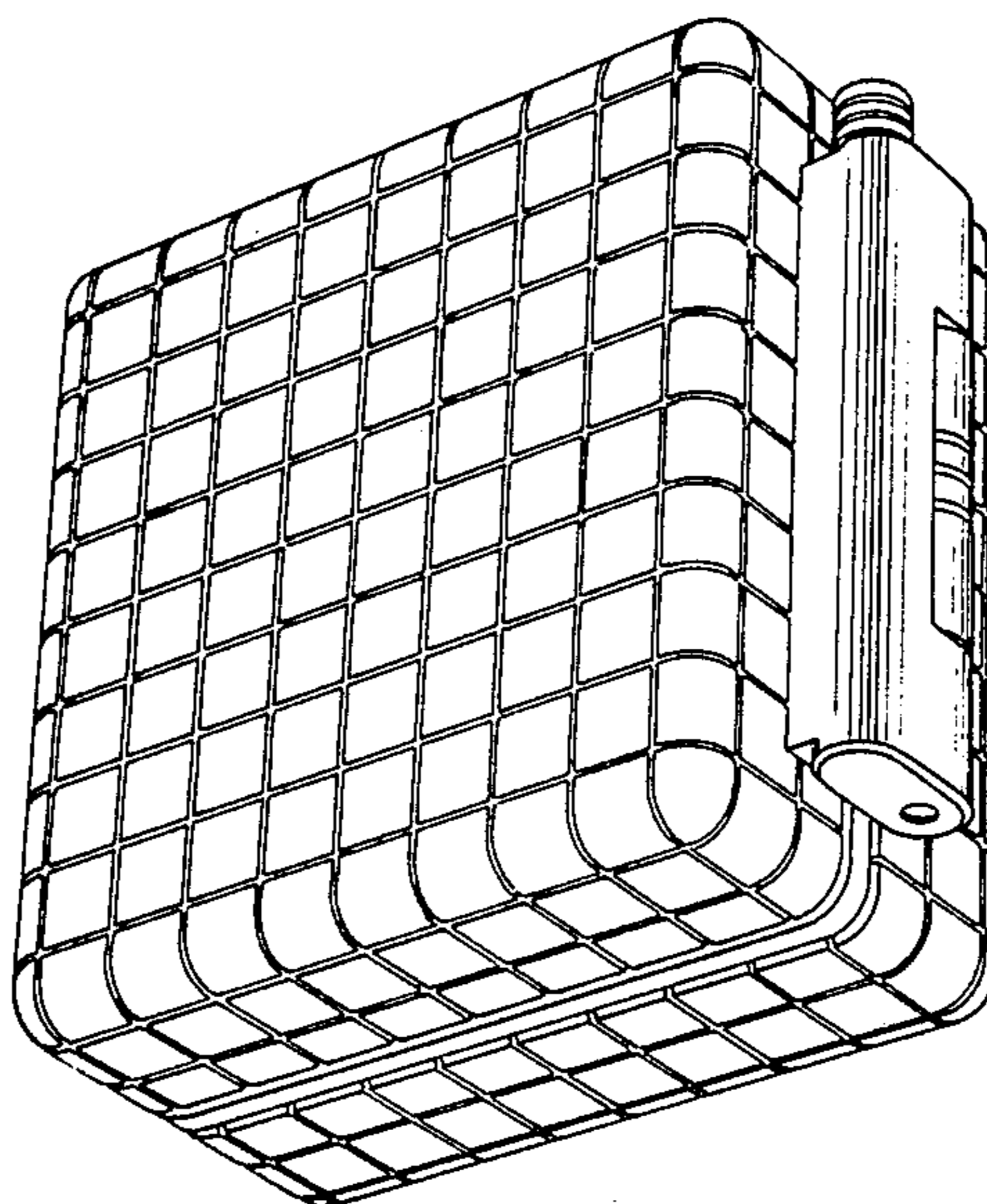


FIG. 3

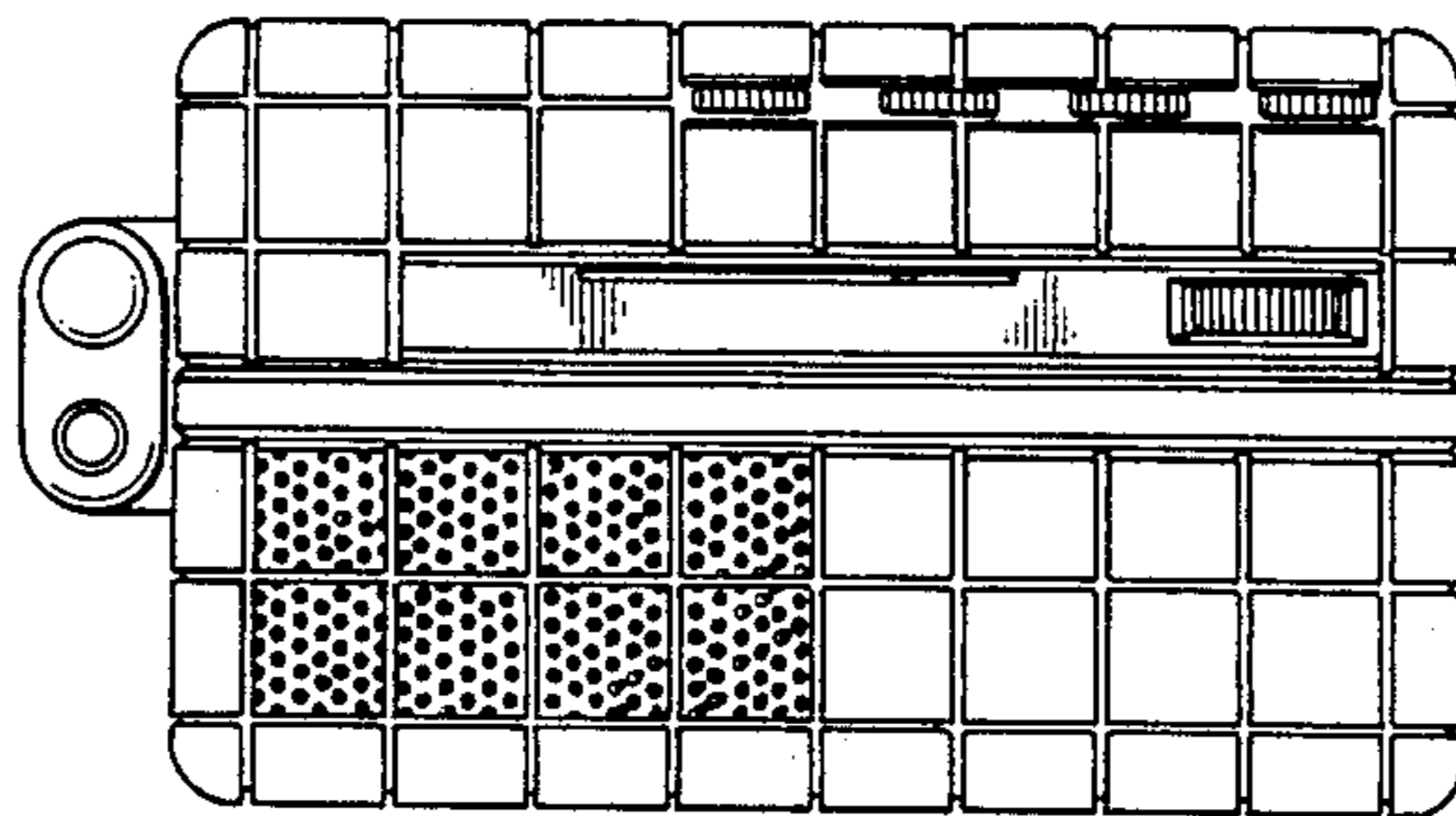


FIG. 4

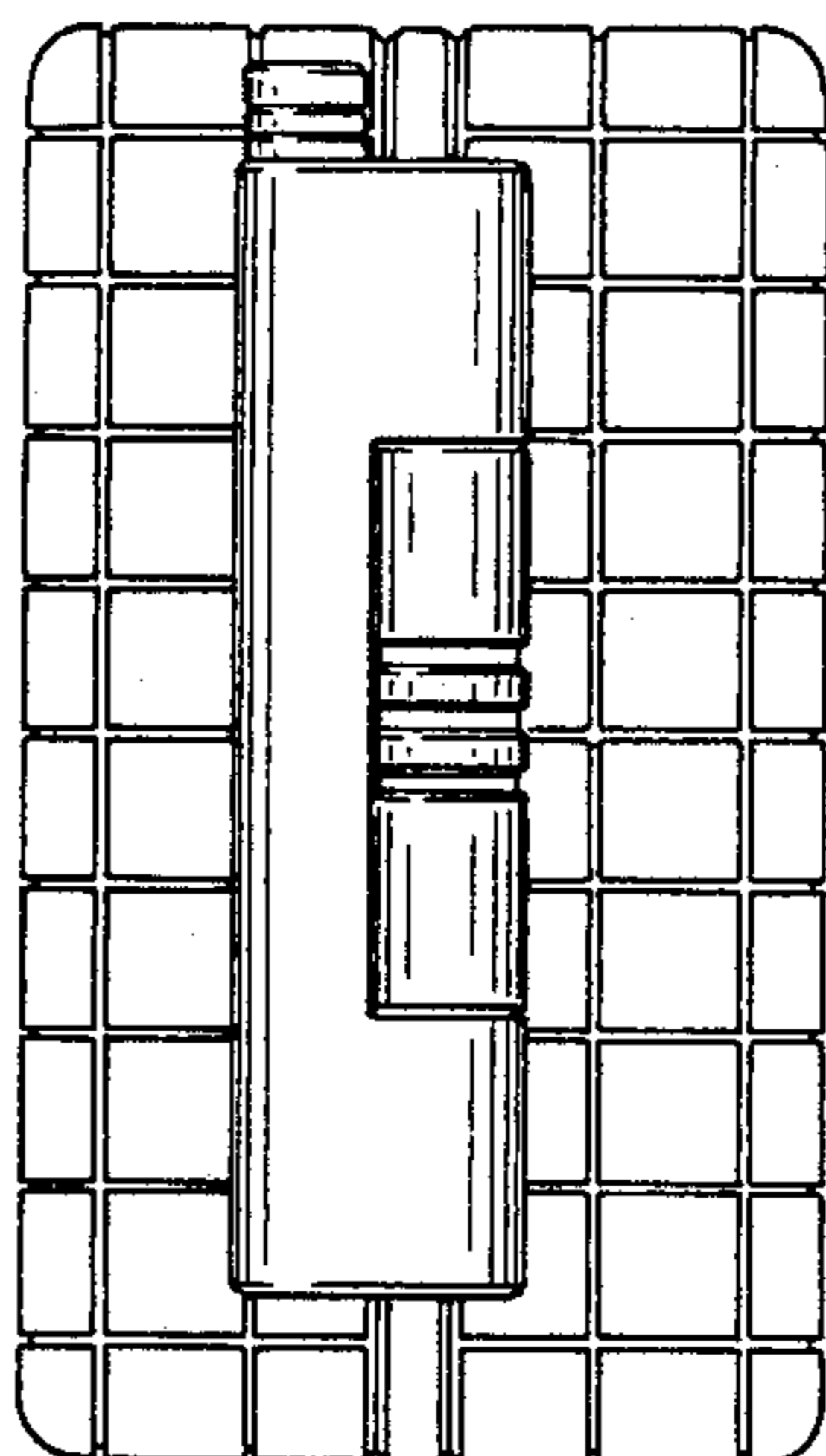


FIG. 5

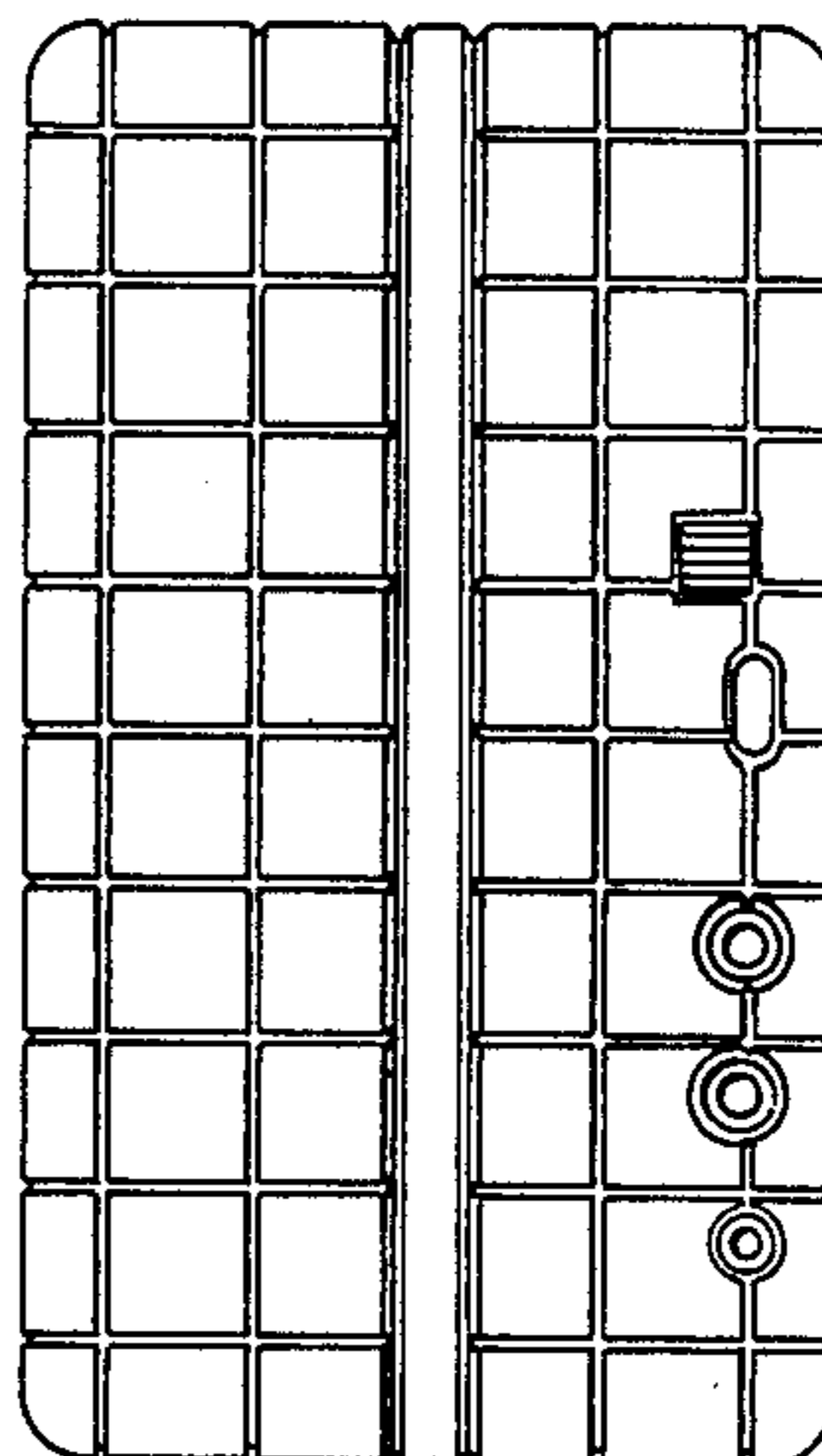


FIG. 6

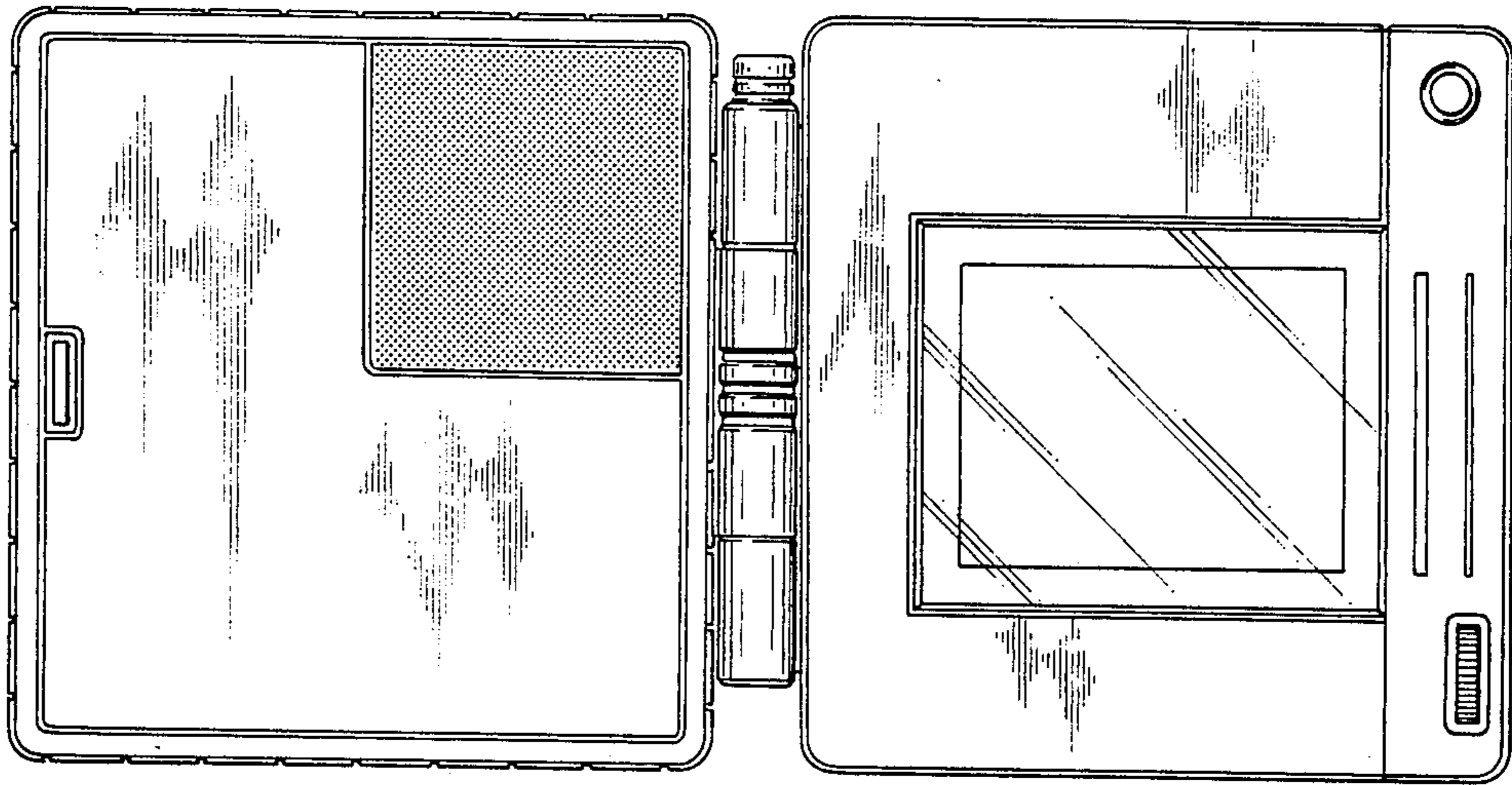


FIG. 7

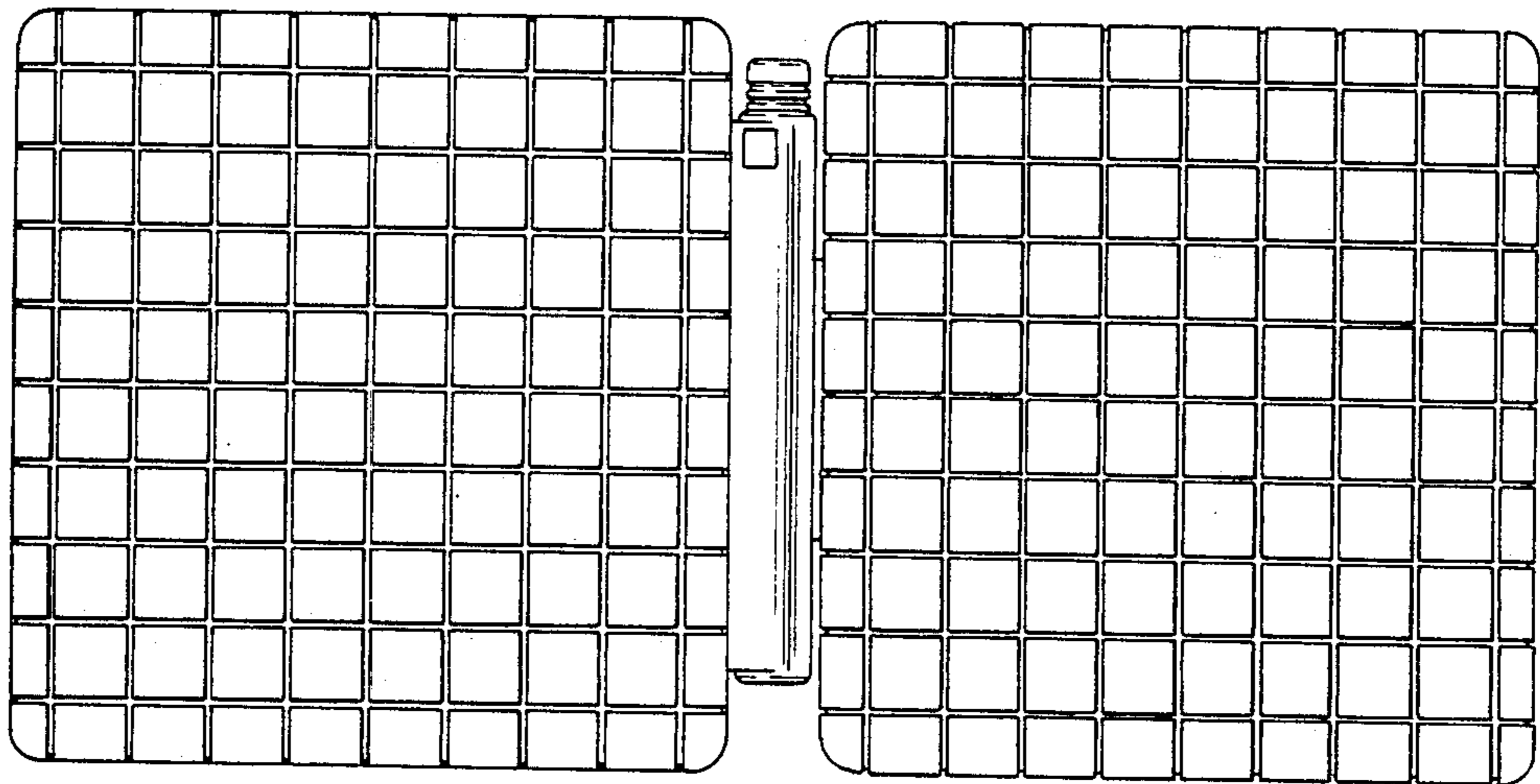


FIG. 8

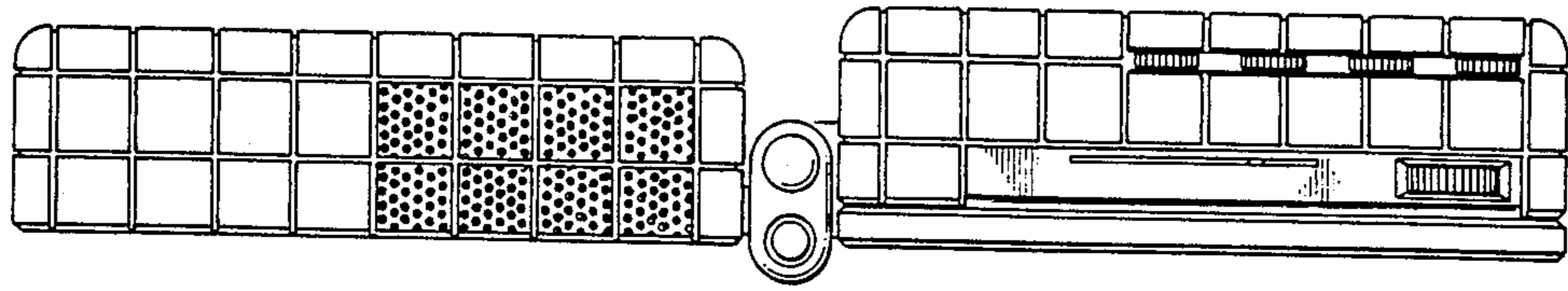


FIG. 9

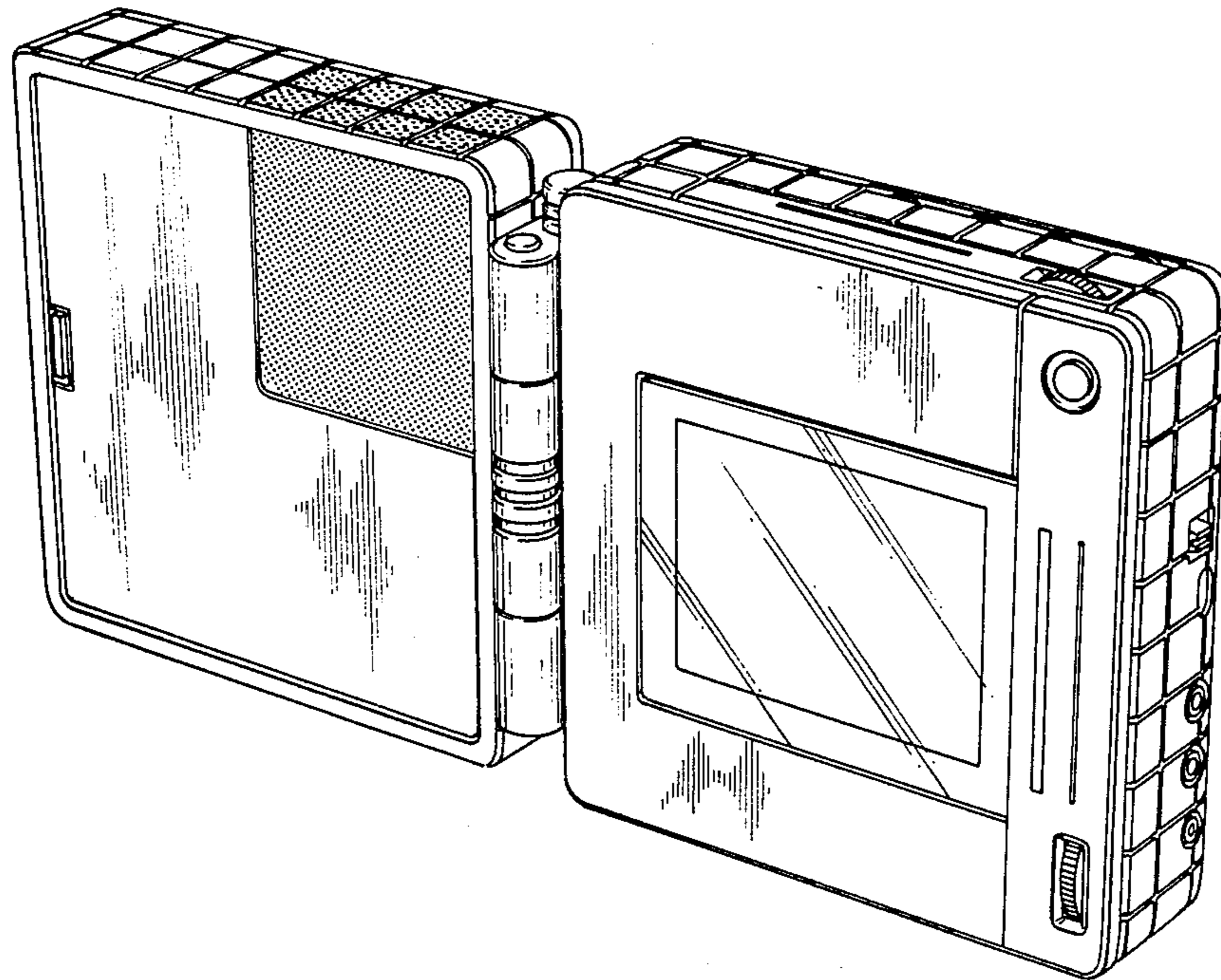


FIG. 10

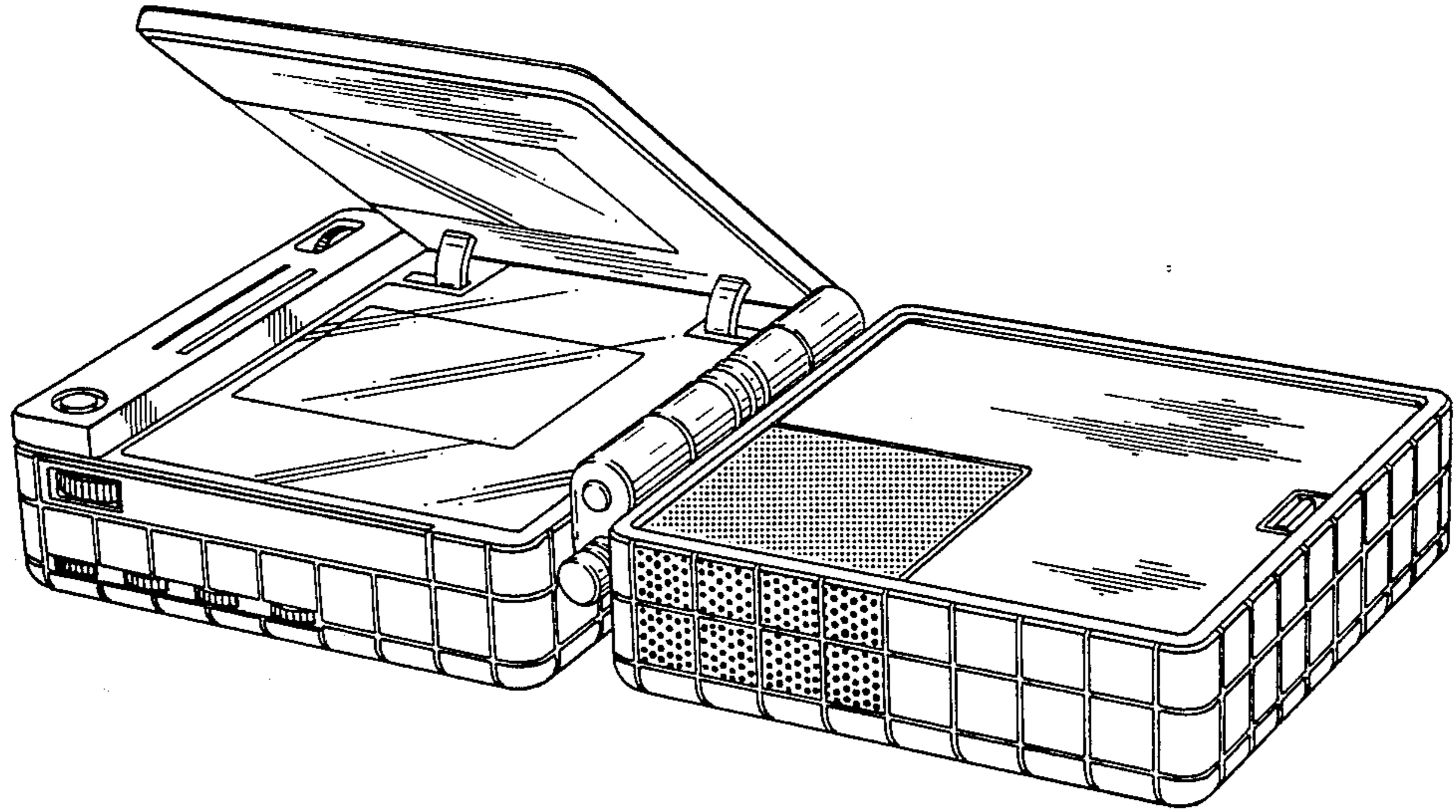


FIG. 11

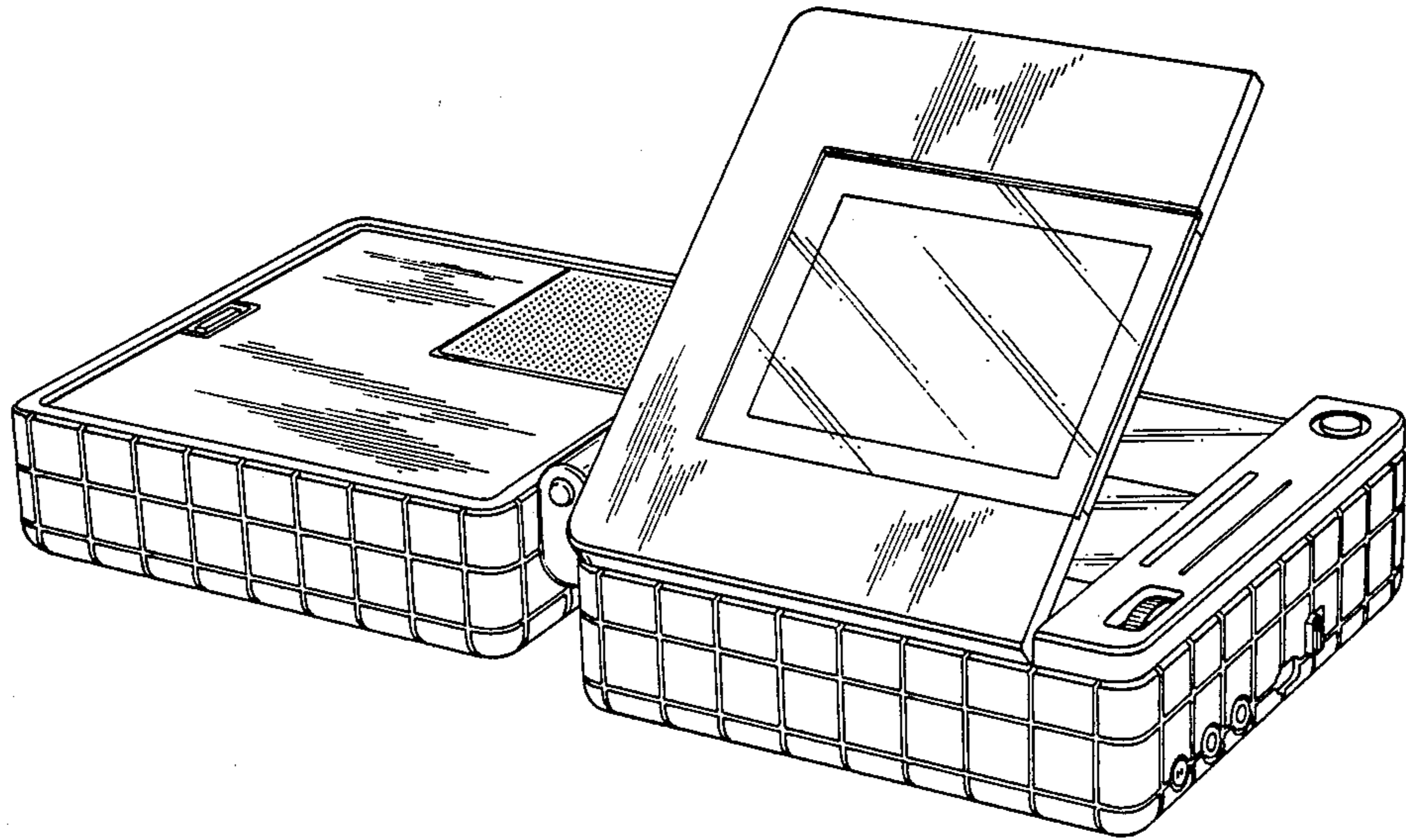


FIG. 12

