

[54] **HEADSET**

[76] **Inventor:** Ng H. Kwong, Flat "Q", 8th Floor,  
Hopewell House, 175 Hip Wo Street,  
Kwun Tong, Kowloon, Hong Kong

[\*] **Notice:** The portion of the term of this patent  
subsequent to Jan. 17, 2003 has been  
disclaimed.

[\*\*] **Term:** 14 Years

[21] **Appl. No.:** 774,532

[22] **Filed:** Sep. 10, 1985

[30] **Foreign Application Priority Data**

Mar. 18, 1985 [GB] United Kingdom ..... 1025601  
[52] **U.S. Cl.** ..... **D14/205**  
[58] **Field of Search** ..... D14/30-37,  
D14/39; 181/129; 379/430, 444; 381/158, 183,  
187

[56]

**References Cited**

**U.S. PATENT DOCUMENTS**

D. 70,272	6/1926	Gaar .....	D14/35
D. 272,904	3/1984	Kawano .....	D14/30
D. 289,289	4/1987	Wojcik et al. ....	D14/36 X
D. 292,205	10/1987	Kikutani .....	D14/36
4,542,803	9/1985	Houng .....	381/183 X
4,571,746	2/1986	Gorike .....	381/183 X
4,588,868	5/1986	Bertagna et al. ....	181/129 X

*Primary Examiner*—Bernard Ansher  
*Assistant Examiner*—Theodore M. Shooman  
*Attorney, Agent, or Firm*—Young & Thompson

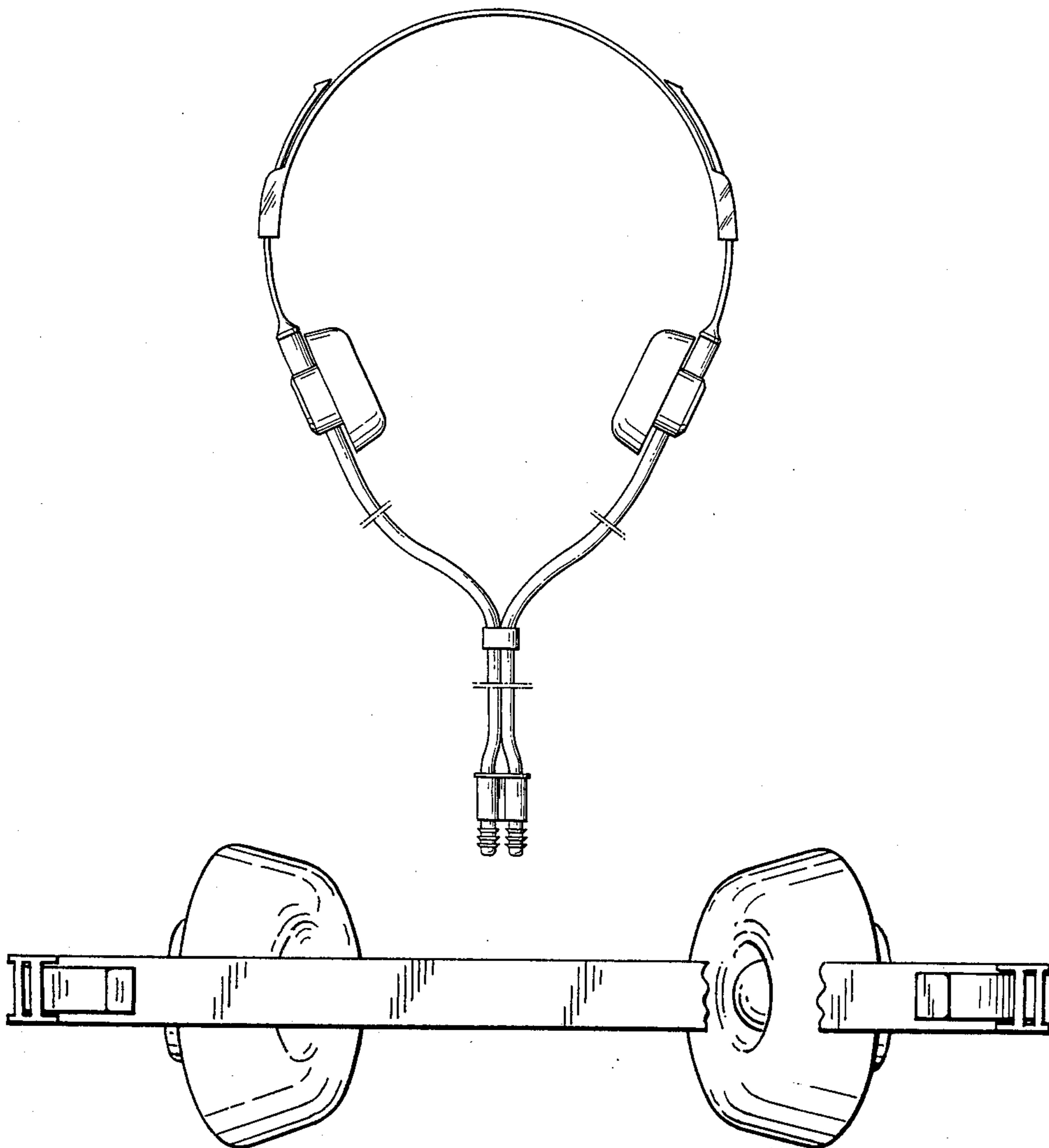
[57]

**CLAIM**

The ornamental design for a headset, as shown.

**DESCRIPTION**

FIG. 1 is a front elevational view of a headset showing my new design, the rear being a mirror image;  
FIG. 2 is a top plan view thereof, partly broken away for clarity of illustration;  
FIG. 3 is a bottom plan view thereof;  
FIG. 4 is a side elevational view thereof, the opposite side being a mirror image thereof; and  
FIG. 5 is a sectional view thereof, taken along line 5—5 of FIG. 4.



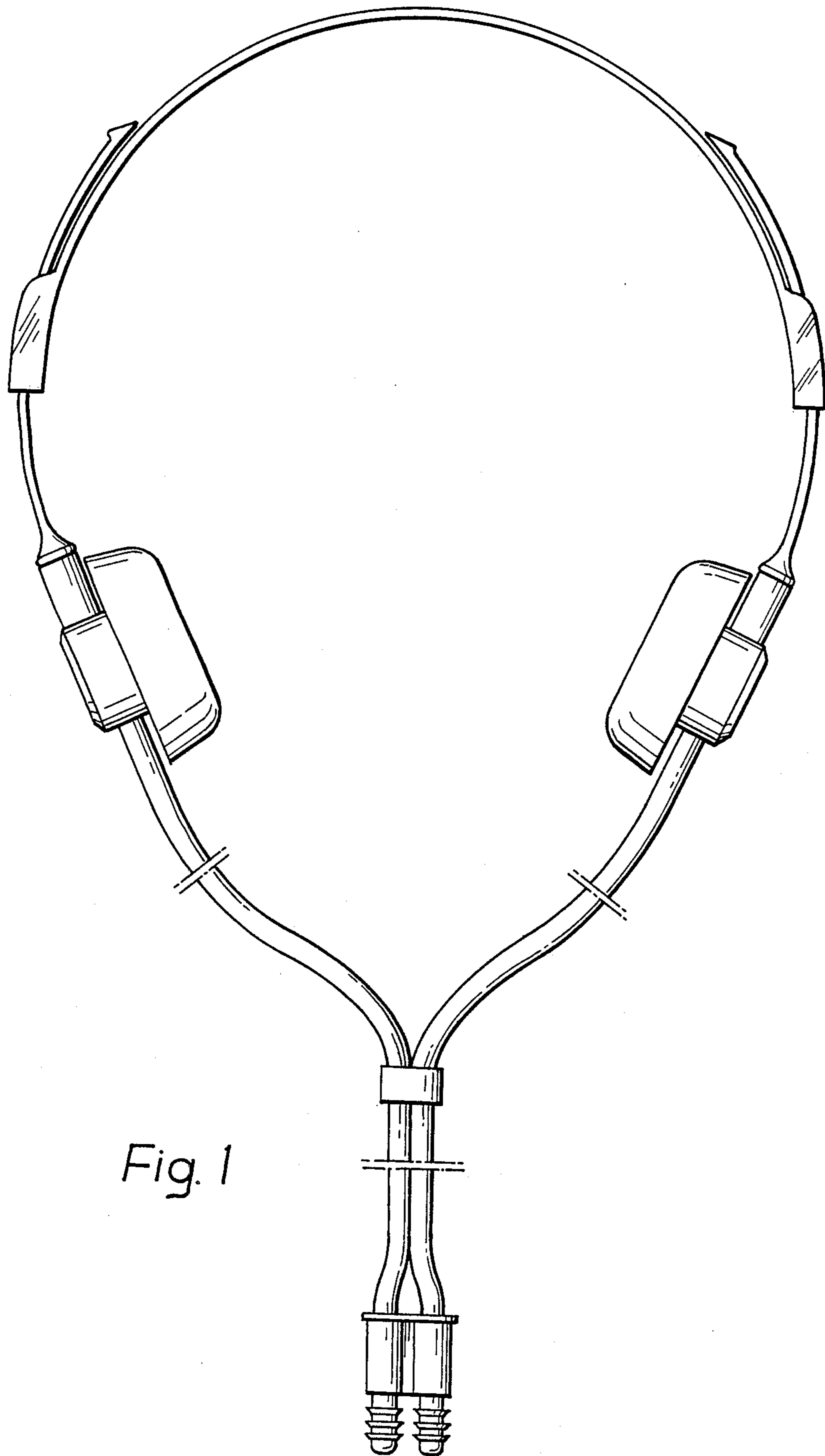


Fig. 1

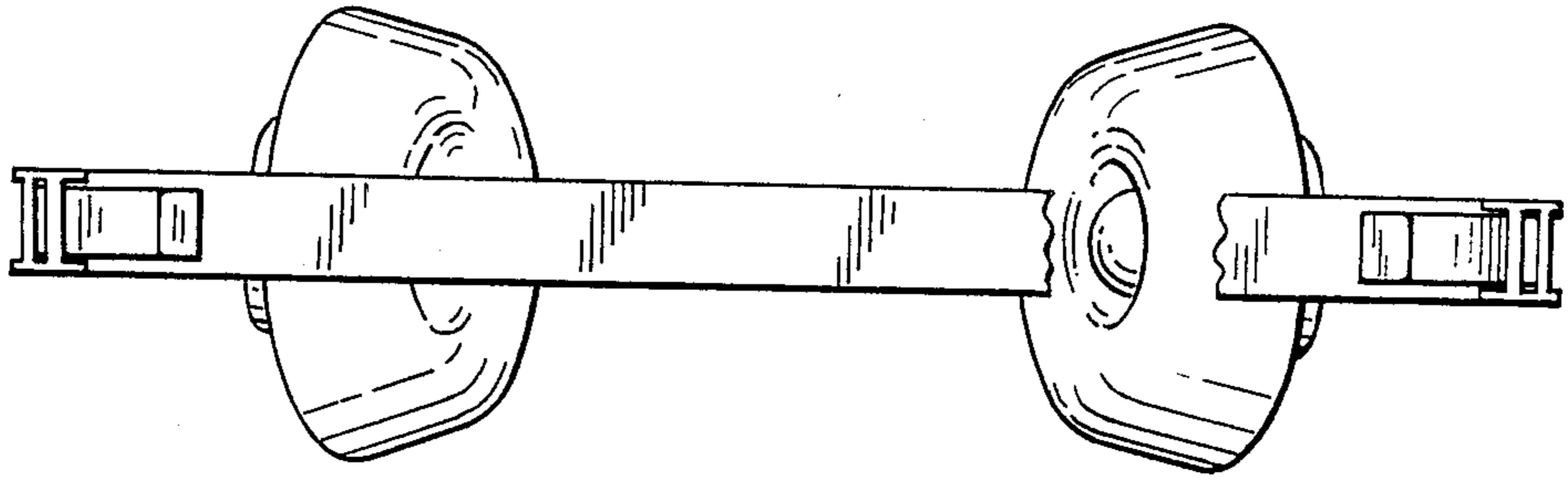


Fig. 2

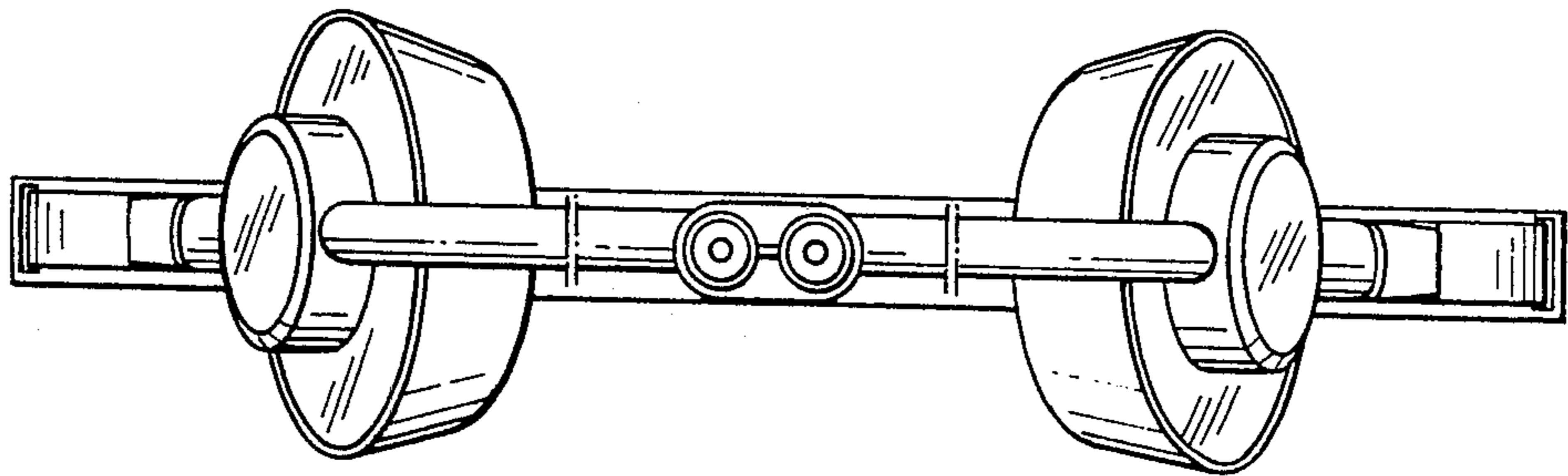
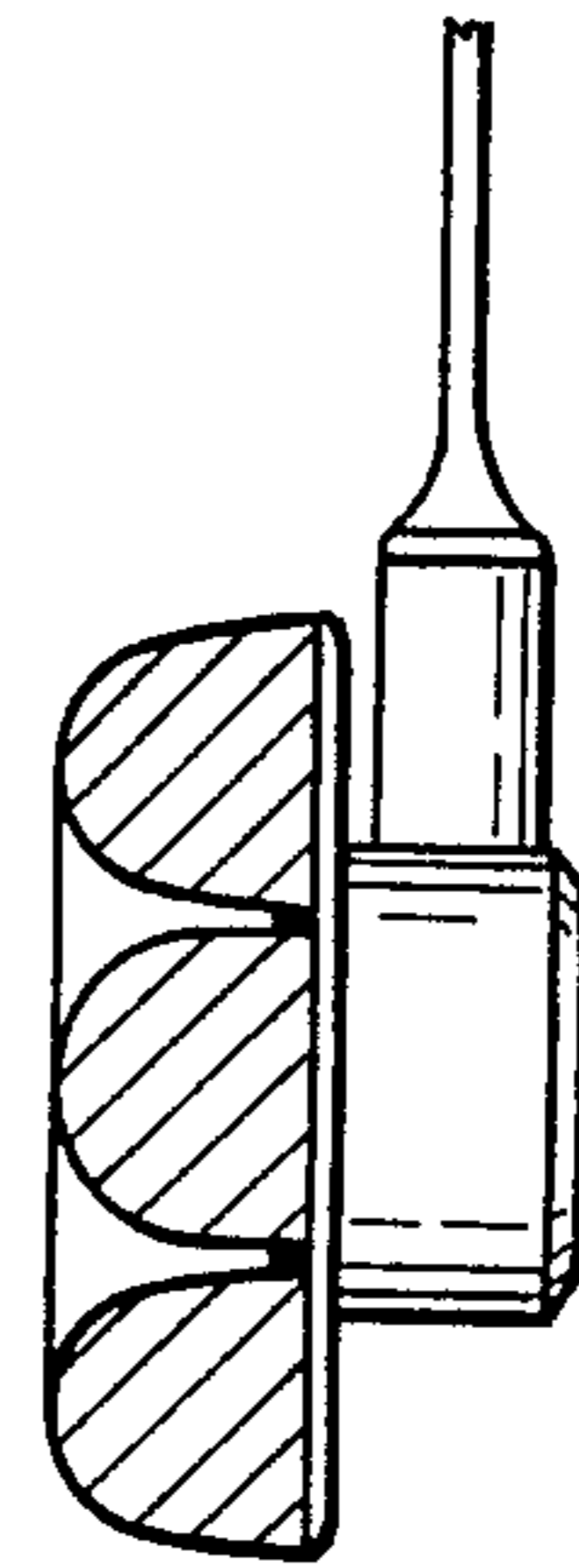
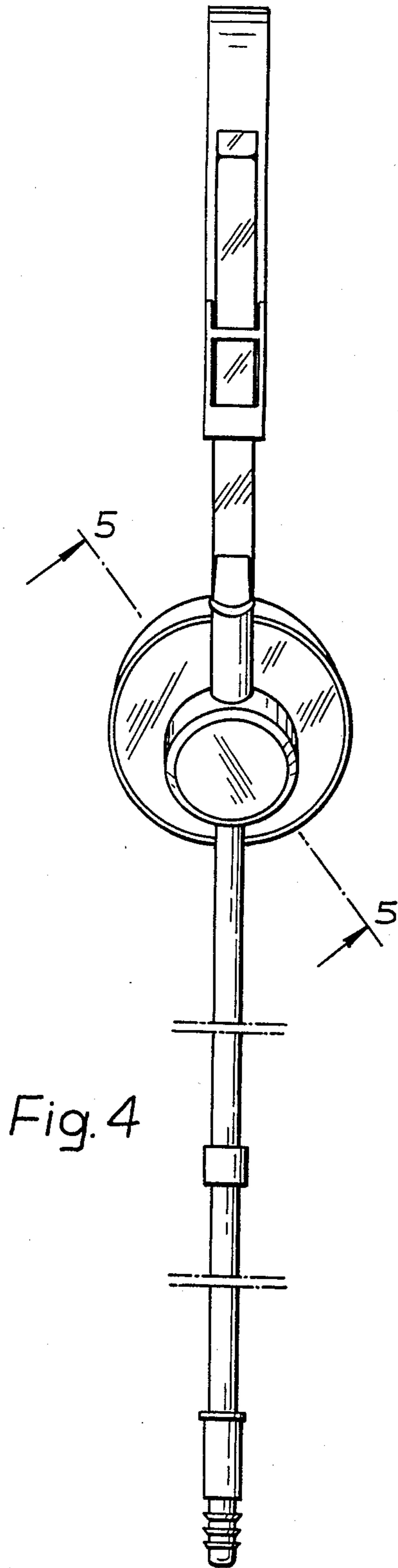


Fig. 3



UNITED STATES PATENT AND TRADEMARK OFFICE  
**CERTIFICATE OF CORRECTION**

PATENT NO. : Des. 300,627

DATED : April 11, 1989

INVENTOR(S) : Huen Kwong Ng

It is certified that error appears in the above-identified patent and that said Letters Patent is hereby corrected as shown below:

On the title page, under the heading "United States Patent [19]", change "Kwong" to --Ng-- and under item [76], Inventor:, change "Ng H. Kwong" to --Huen Kwong Ng--.

**Signed and Sealed this  
Fourteenth Day of November, 1989**

*Attest:*

JEFFREY M. SAMUELS

*Attesting Officer*

*Acting Commissioner of Patents and Trademarks*