

[54] ADAPTER PLUG FOR A VEHICLE CIGARETTE LIGHTER

[76] Inventors: Carol A. Crutcher, 16-C Belle Meadows Dr., Trotwood, Ohio 45426; Ladon Williams, 1743 Academy Pl., Dayton, Ohio 45406

[\*\*] Term: 14 Years

[21] Appl. No.: 918,905

[22] Filed: Oct. 15, 1986

[52] U.S. Cl. .... D13/28; D13/30

[58] Field of Search ..... D13/11, 12, 18-31, D13/40; 439/668, 669, 350, 354, 682, 661, 662, 679, 694, 395, 396

[56] References Cited

U.S. PATENT DOCUMENTS

4,248,494	2/1981	McDonald et al. ....	439/668
4,319,798	3/1982	Mittelhäuser .....	439/668

OTHER PUBLICATIONS

SAFCO Automotive Adapter Plugs' brochure model #'S 10 & 15.

Hong Kong Enterprise 8-1983, p. 338, Wing Tat Shing Mfg. Co. Ltd., Plug #SE27.

Primary Examiner—Bruce W. Dunkins

Assistant Examiner—Clare E. Heflin

Attorney, Agent, or Firm—Terry M. Gernstein

[57] CLAIM

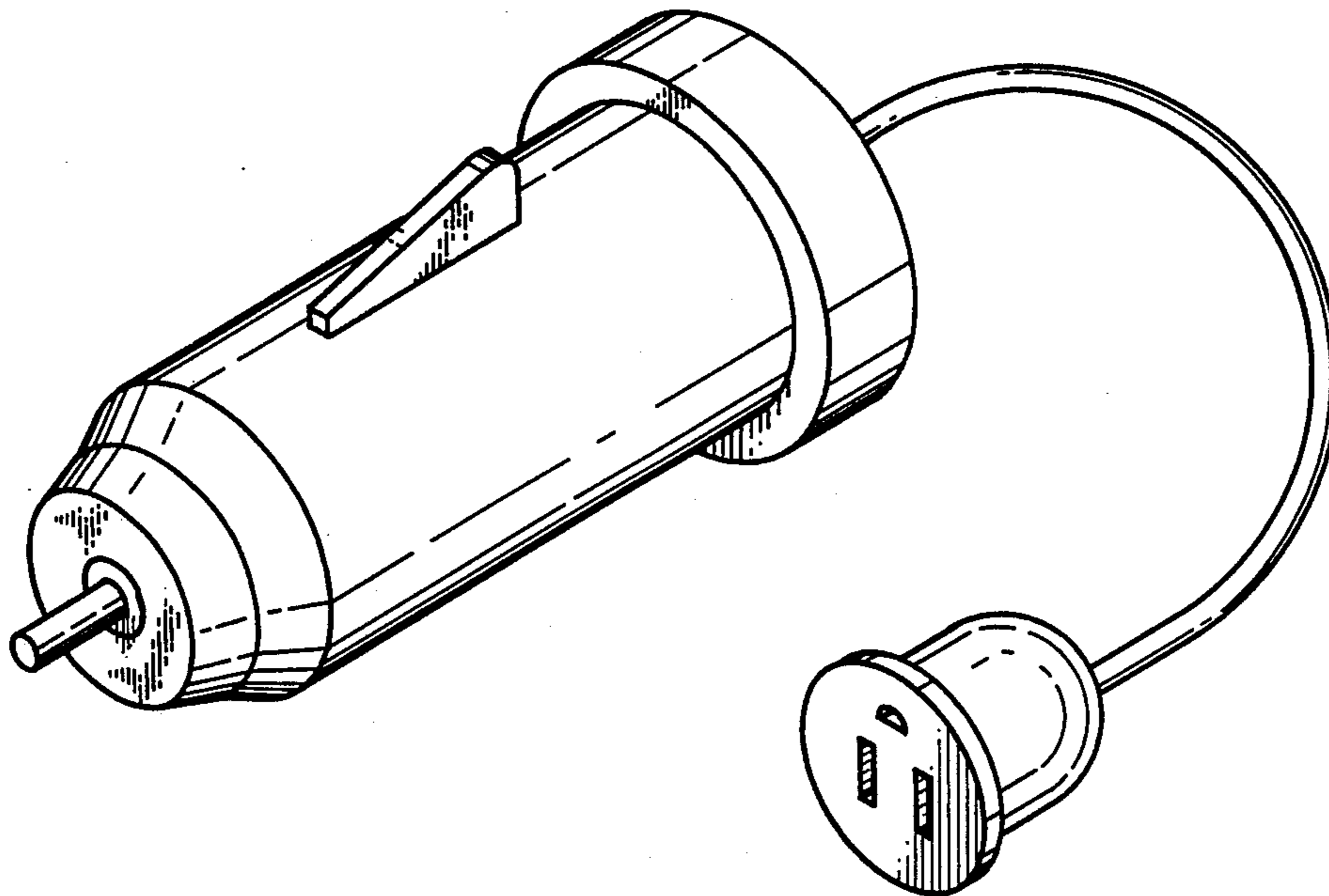
The ornamental design for an adapter plug for a vehicle cigarette lighter, as shown and described.

DESCRIPTION

FIG. 1 is a top, front perspective view of an adapter plug for a vehicle cigarette lighter showing our new design, the bottom view being a mirror image of the top, except for the latch portion thereof;

FIG. 2 is a side elevational view thereof, the opposite side being a mirror image;

FIG. 3 is a rear elevational view thereof.



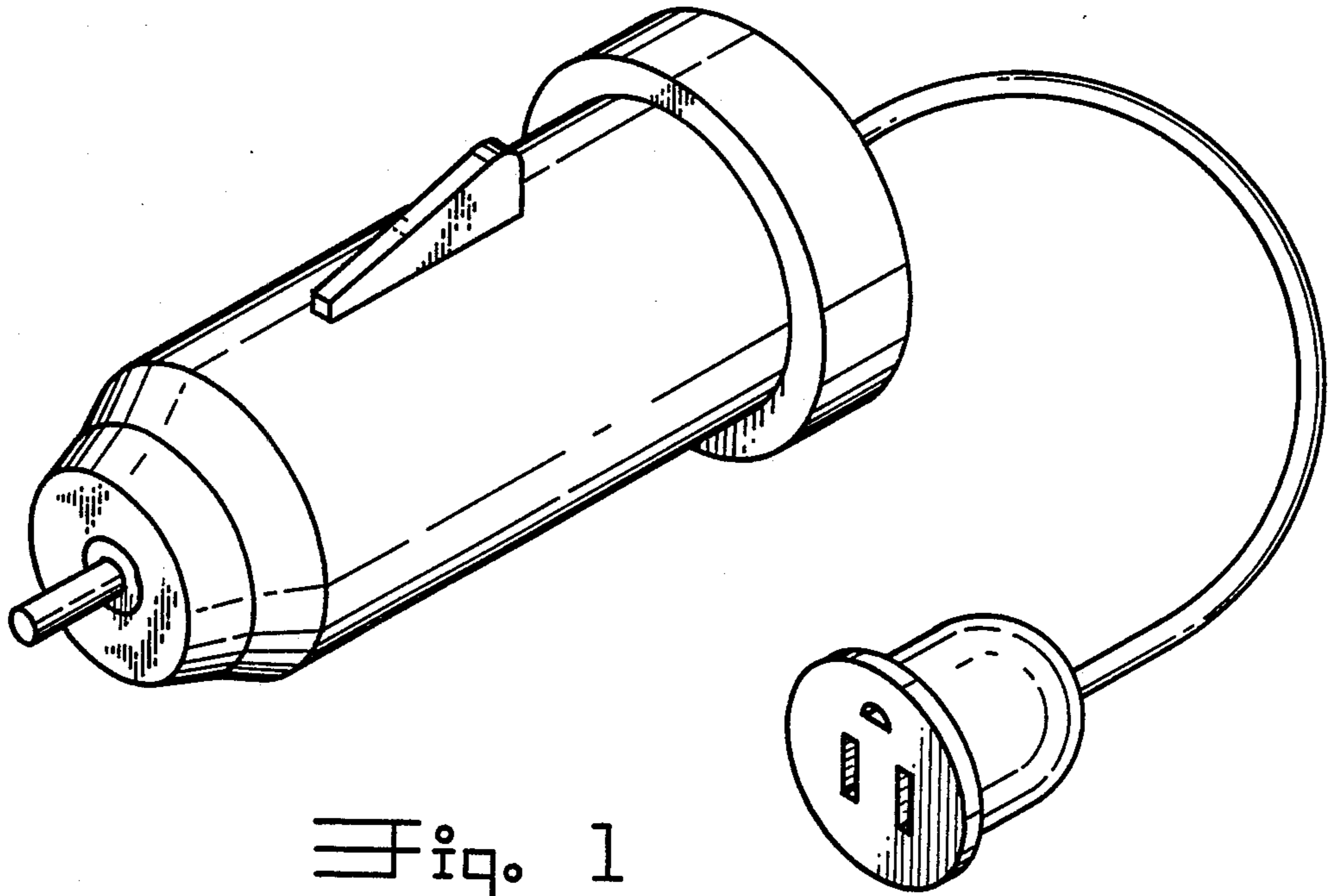


Fig. 1

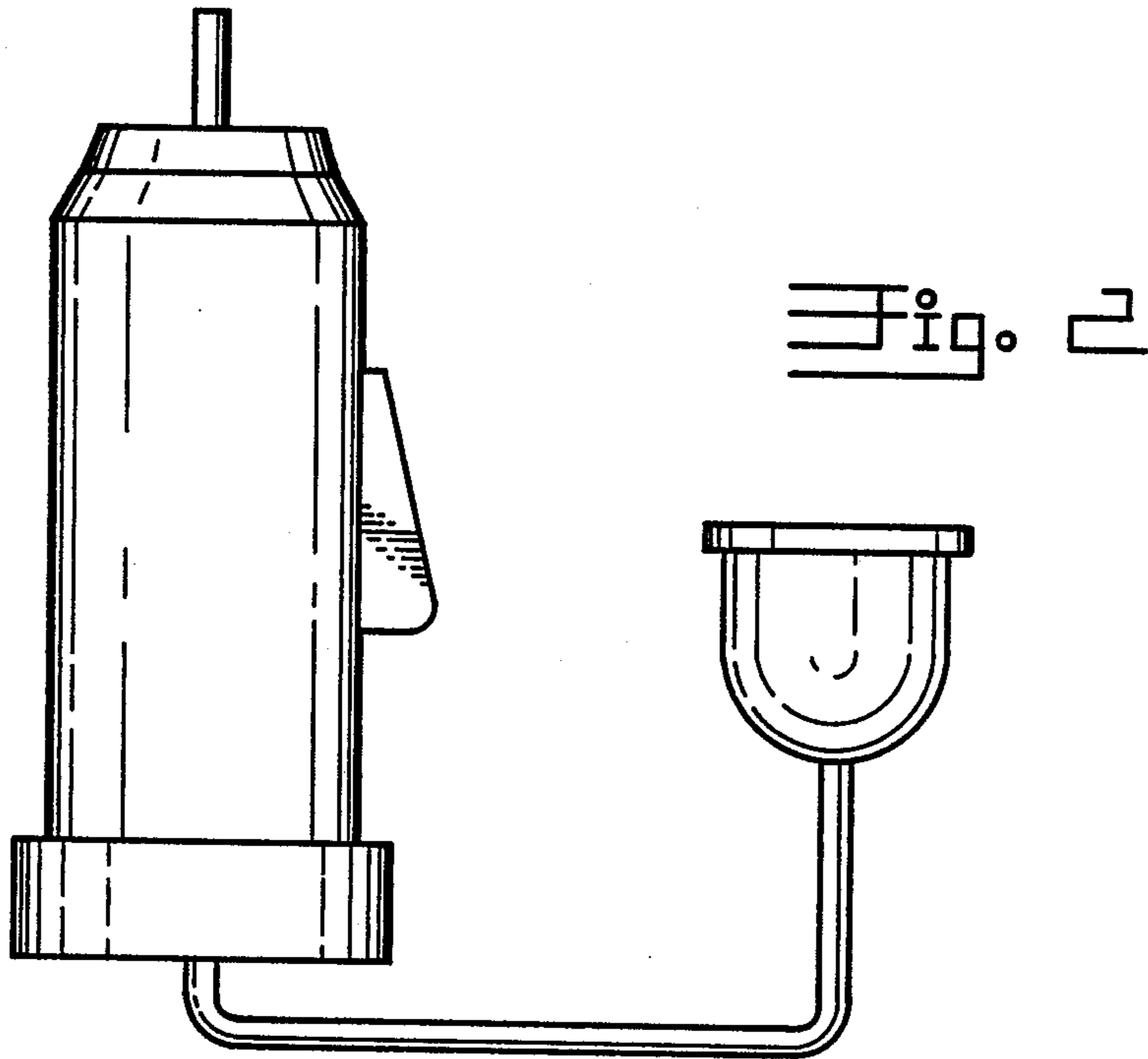


Fig. 2

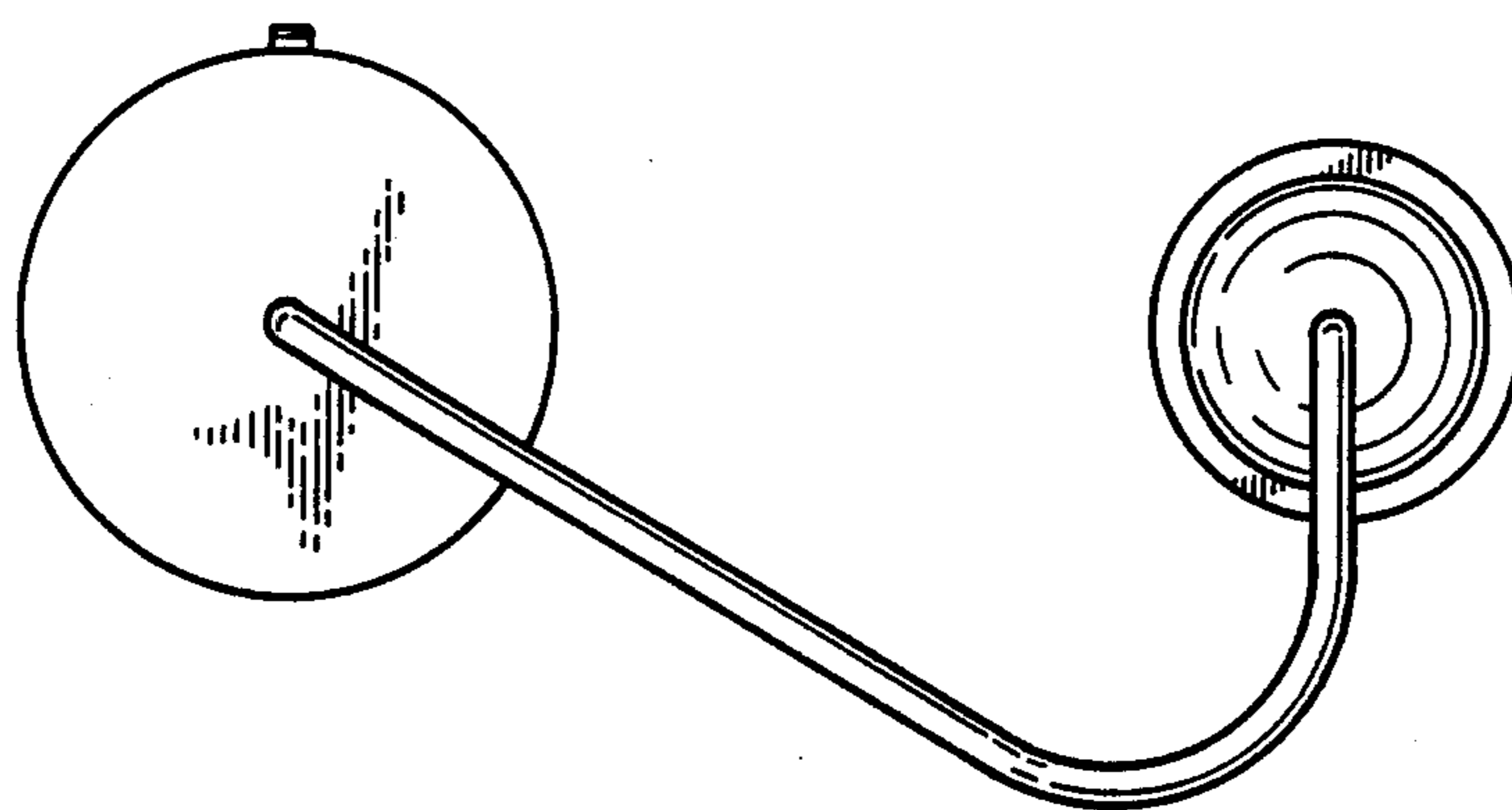


Fig. 3