

- [54] ELECTRICAL TEST CONNECTOR FOR A PRINTED CIRCUIT BOARD
- [75] Inventors: William Y. Sinclair, Stockton; Steven Miller, Asbury, both of N.J.
- [73] Assignee: Aries Electronics, Inc., Frenchtown, N.J.
- [**] Term: 14 Years
- [21] Appl. No.: 885,266
- [22] Filed: Jul. 14, 1986
- [52] U.S. Cl. D13/24
- [58] Field of Search D13/11, 12, 18-31, D13/40; 439/264, 259, 73, 692, 259

[56] References Cited

U.S. PATENT DOCUMENTS

3,440,597	4/1969	Baker, II et al.	439/692
4,375,309	3/1983	Griffin	439/259
4,377,319	3/1983	MacDougall	439/264
4,402,563	9/1983	Sinclair	439/264
4,744,768	5/1988	Rios	439/264

OTHER PUBLICATIONS

AMP Rotary Cam ZIF Card Edge Connectors Catalog #78485, 1-1983/p. 23.

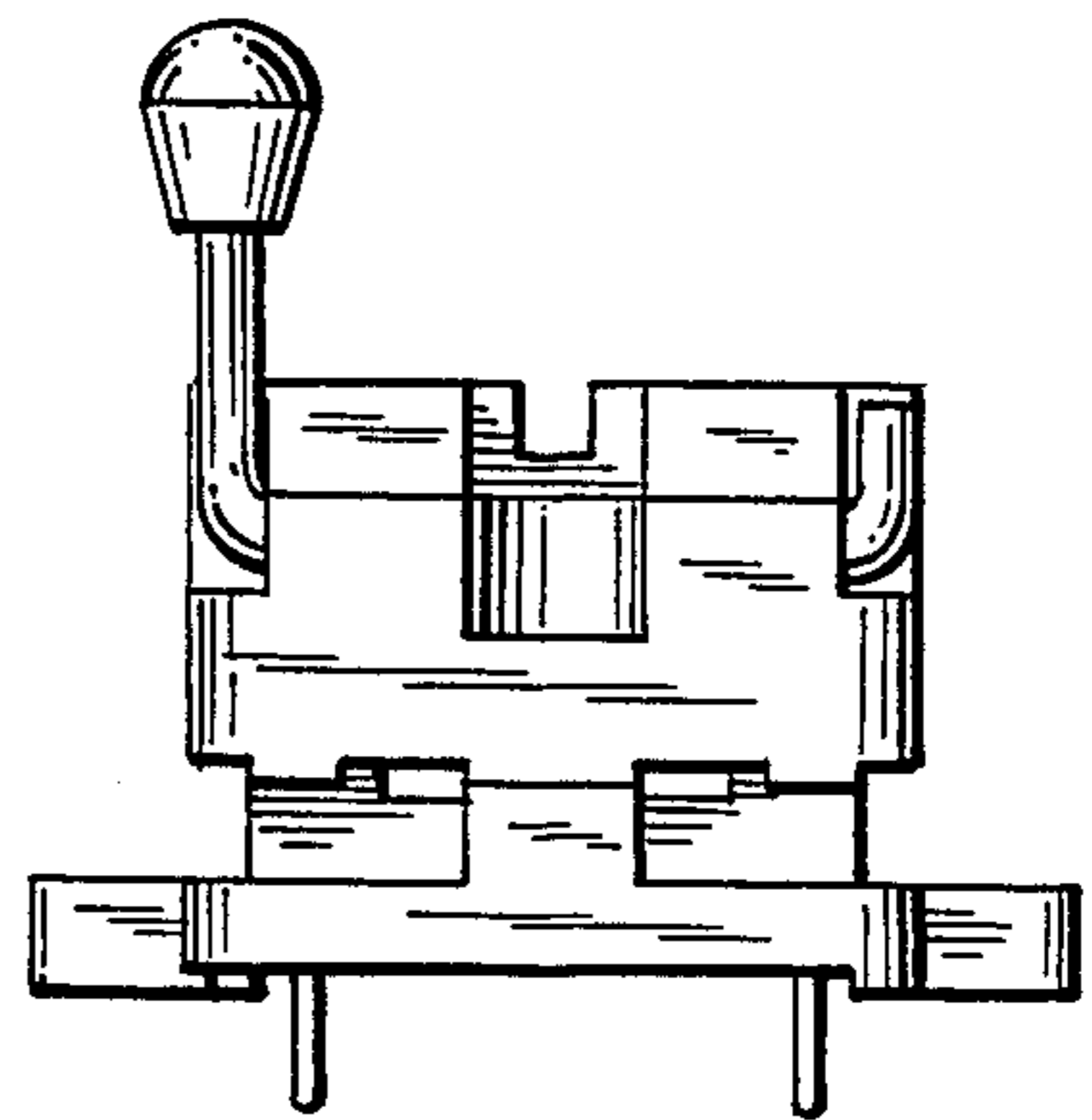
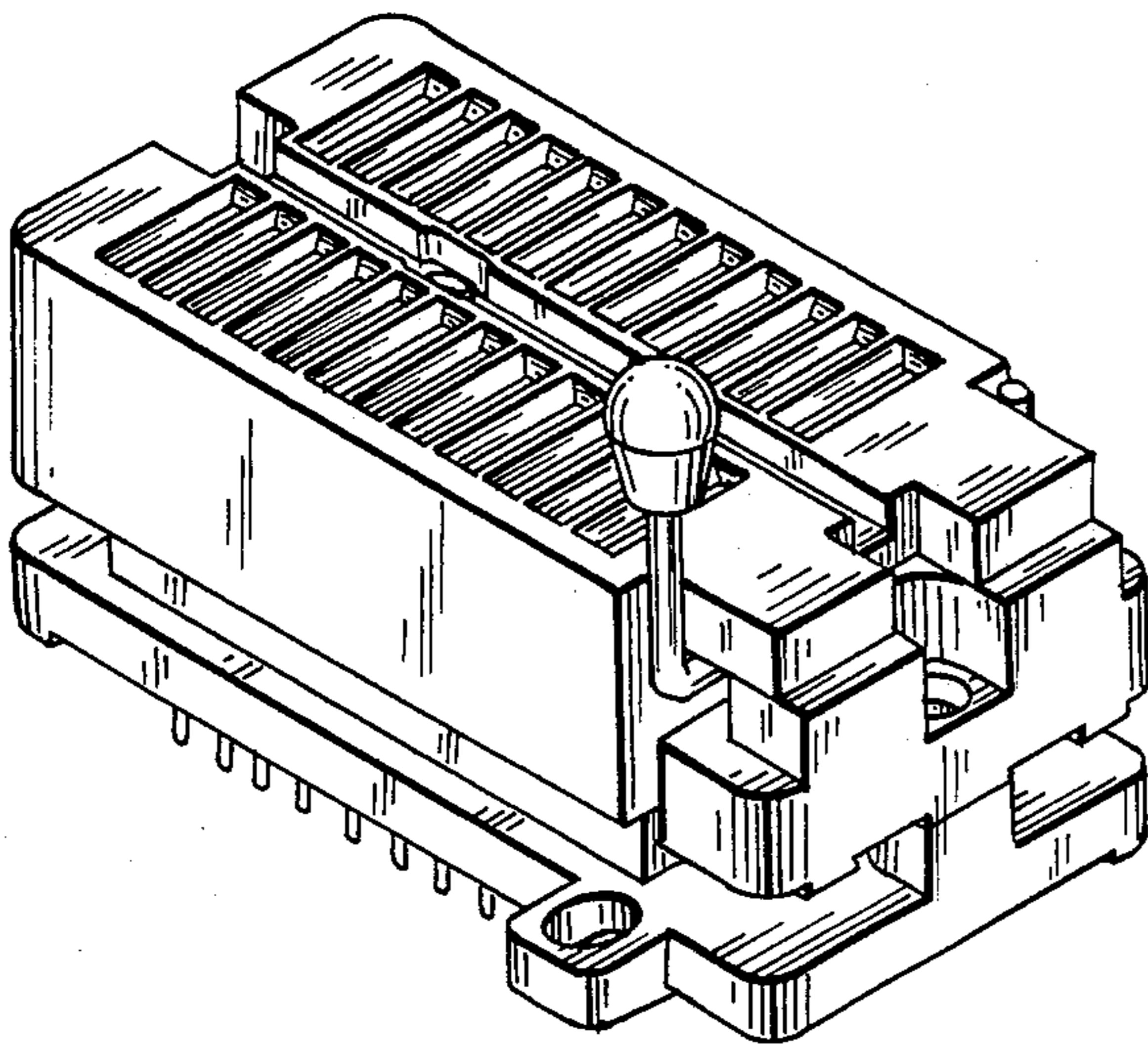
Primary Examiner—Bruce W. Dunkins
Assistant Examiner—Clare E. Heflin
Attorney, Agent, or Firm—Anthony J. Casella; Gerald E. Hespos

[57] CLAIM

The ornamental design for an electrical test connector for a printed circuit board, as shown.

DESCRIPTION

FIG. 1 is an exploded perspective view of an electrical test connector for a printed circuit board showing our new design;
FIG. 2 is a perspective view thereof;
FIG. 3 is a top plan view thereof;
FIG. 4 is a right side elevational view thereof;
FIG. 5 is a front elevational view thereof;
FIG. 6 is a rear elevational view thereof;
FIG. 7 is a left side elevational view thereof; and
FIG. 8 is a bottom plan view thereof.



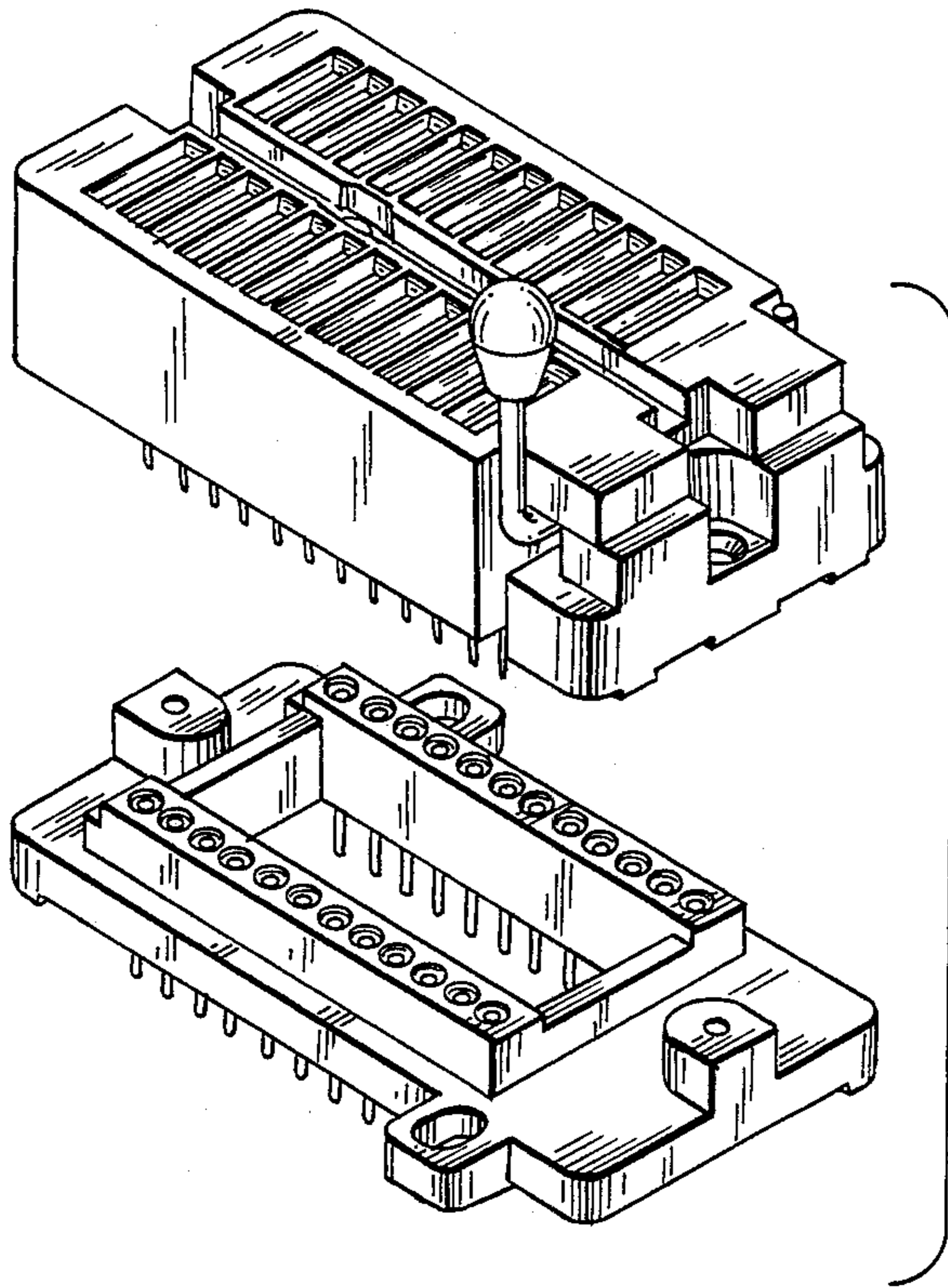


FIG. 1

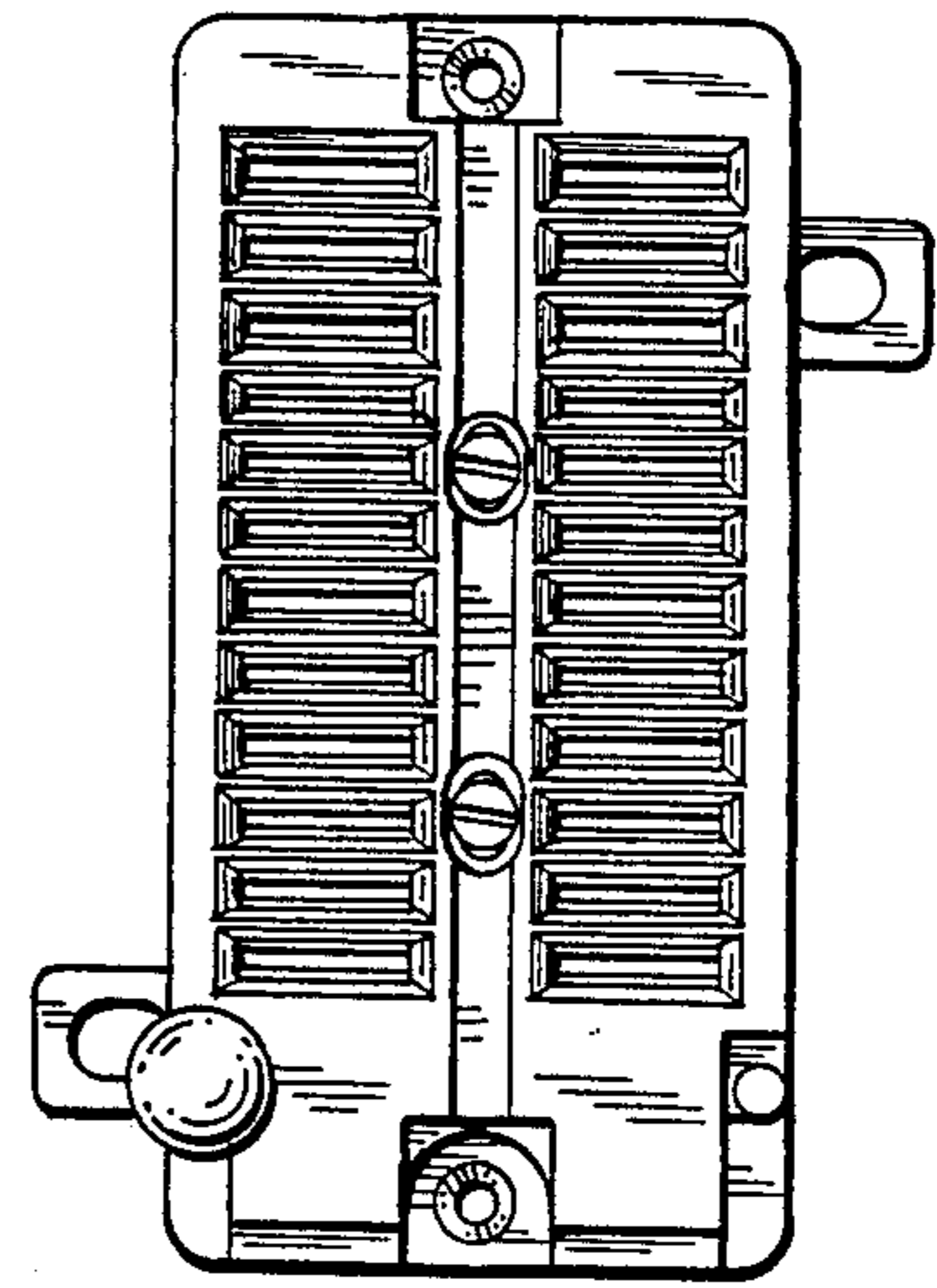


FIG. 3

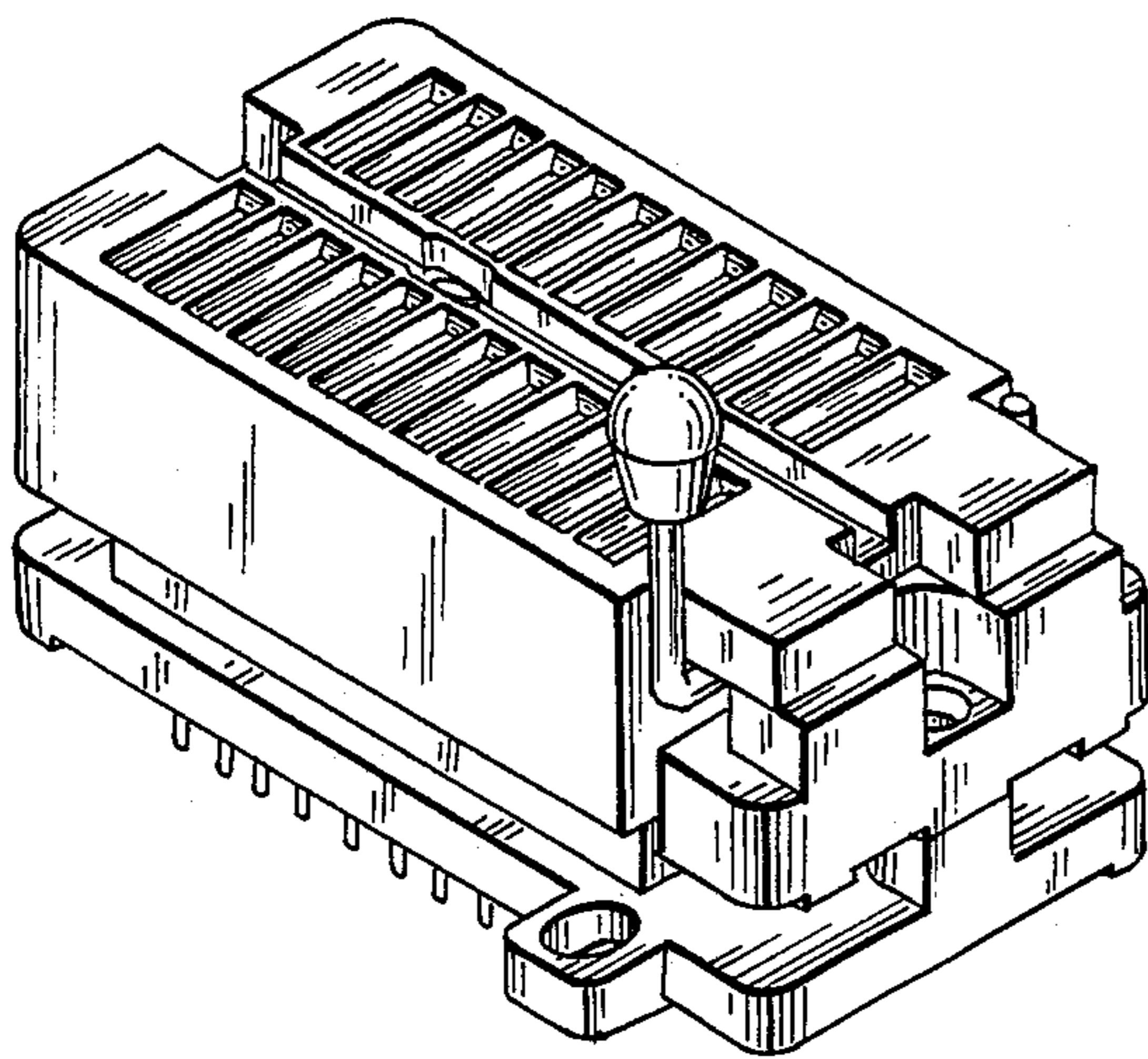


FIG. 2

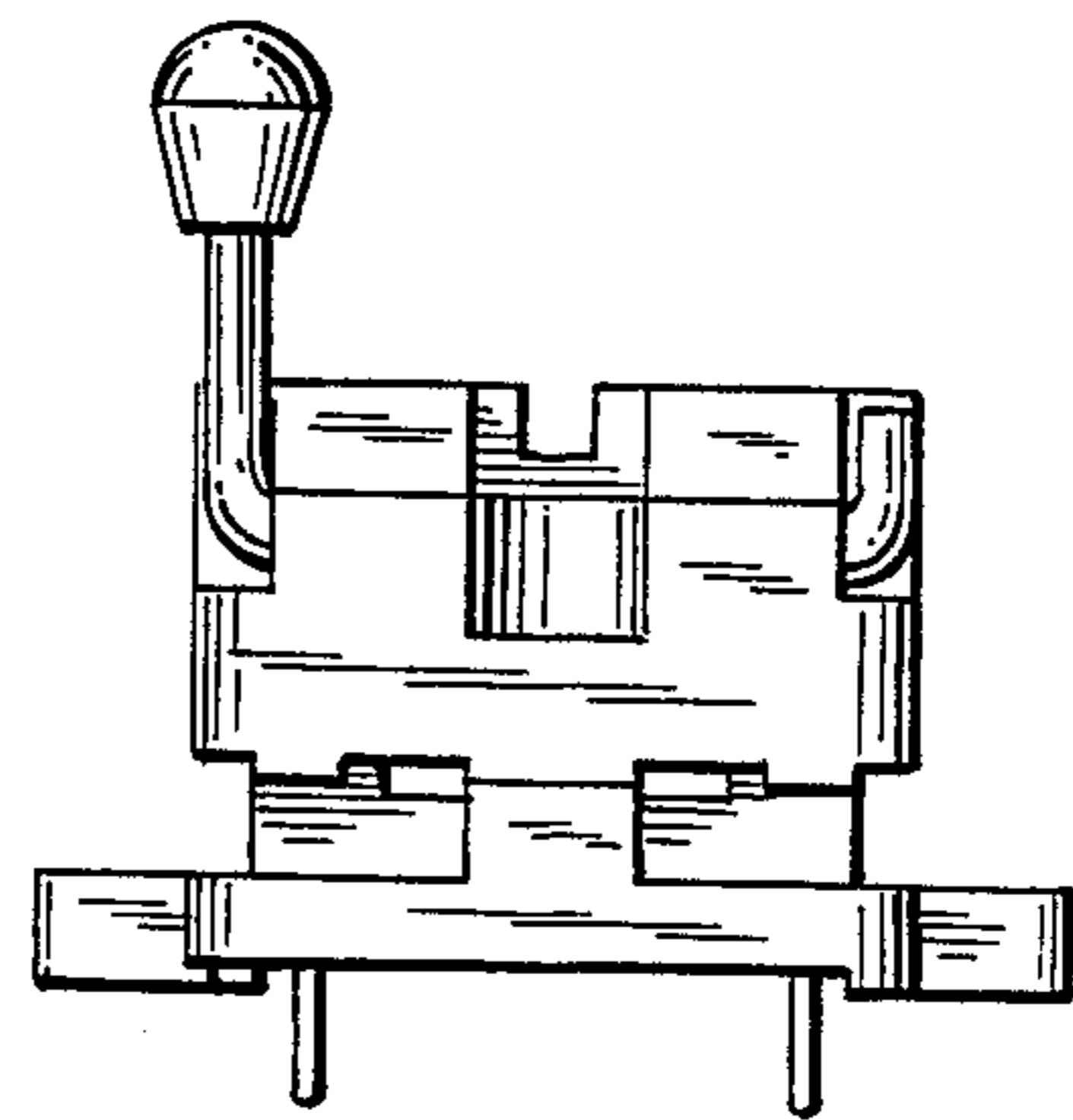


FIG. 4

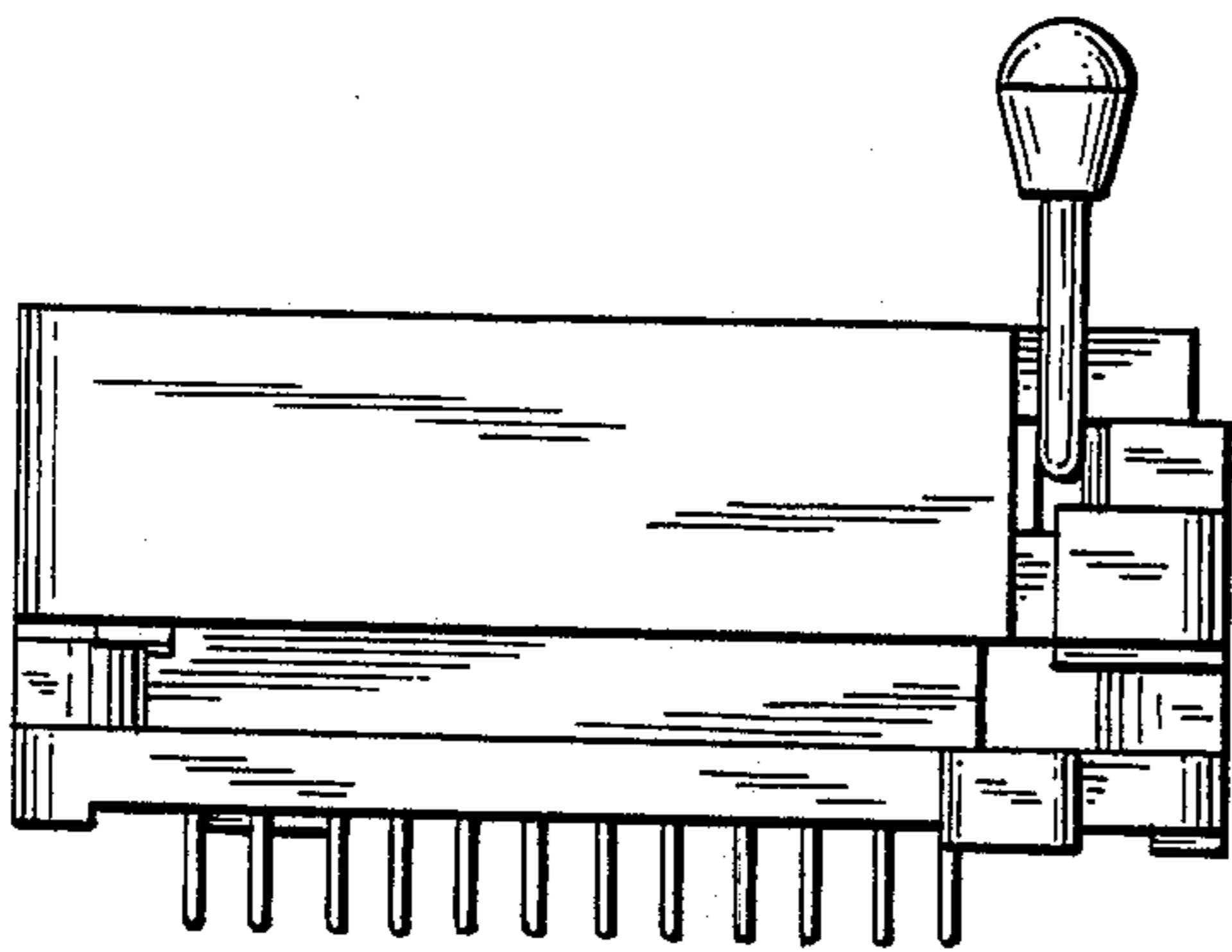


FIG. 5

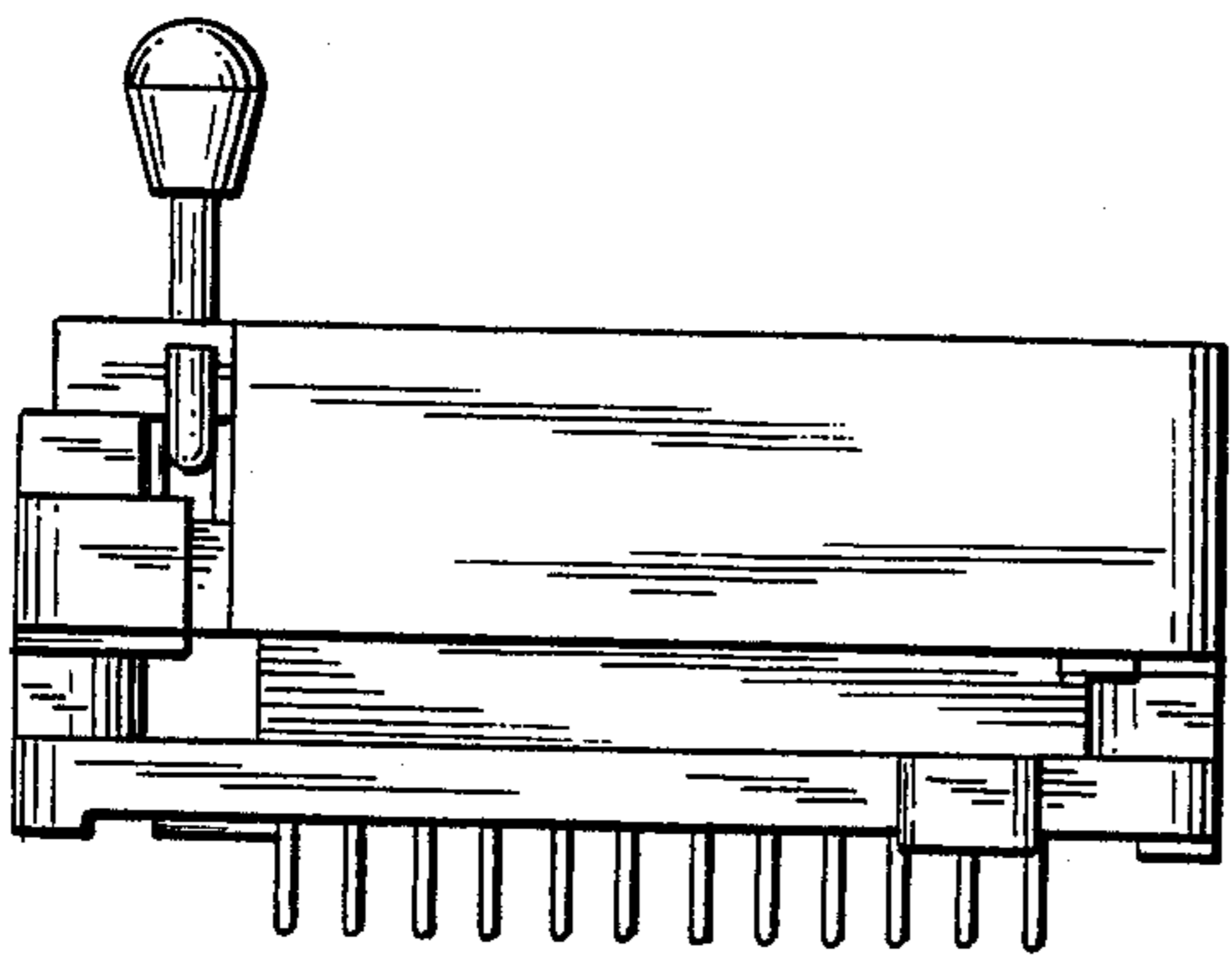


FIG. 6

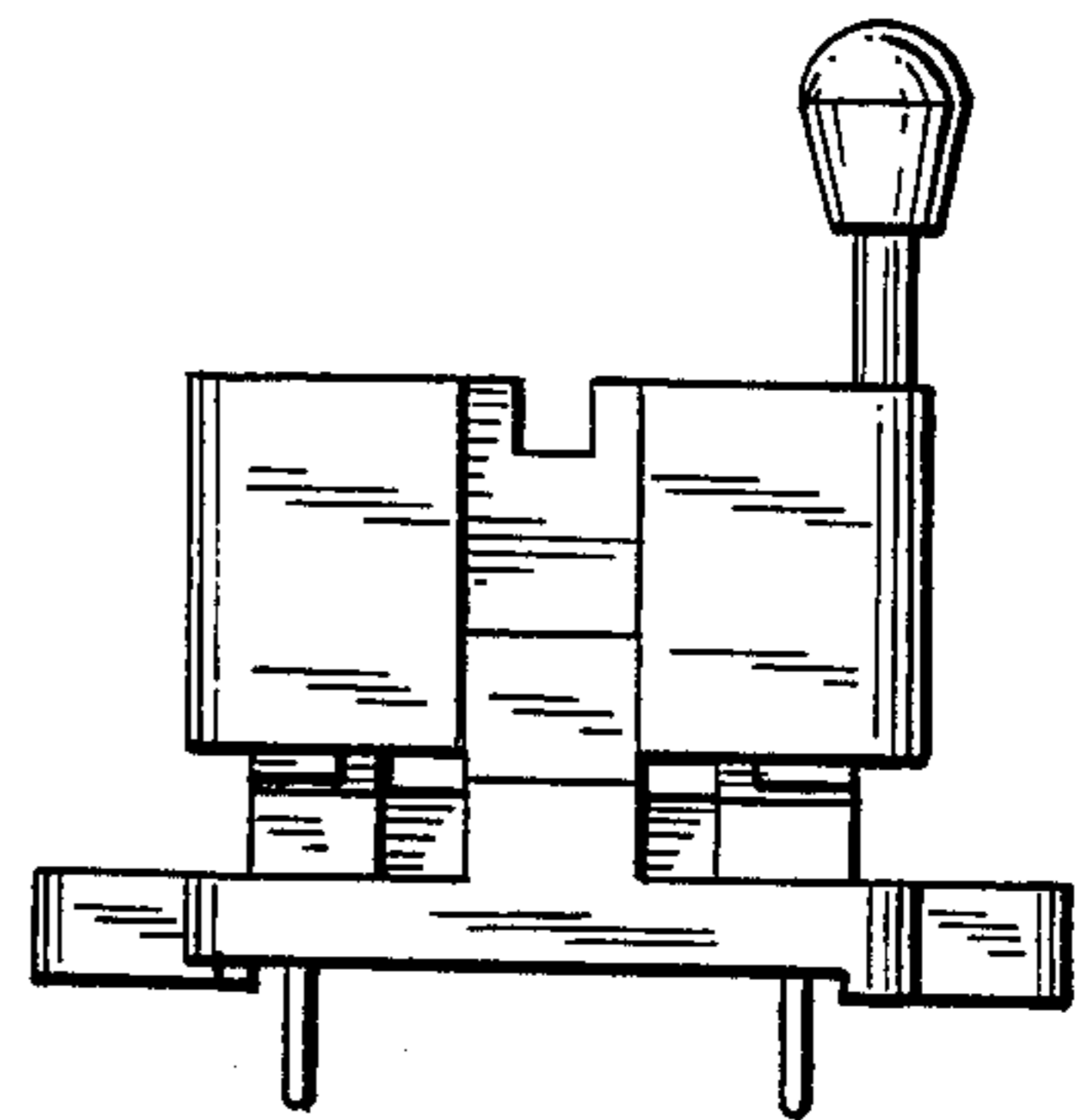


FIG. 7

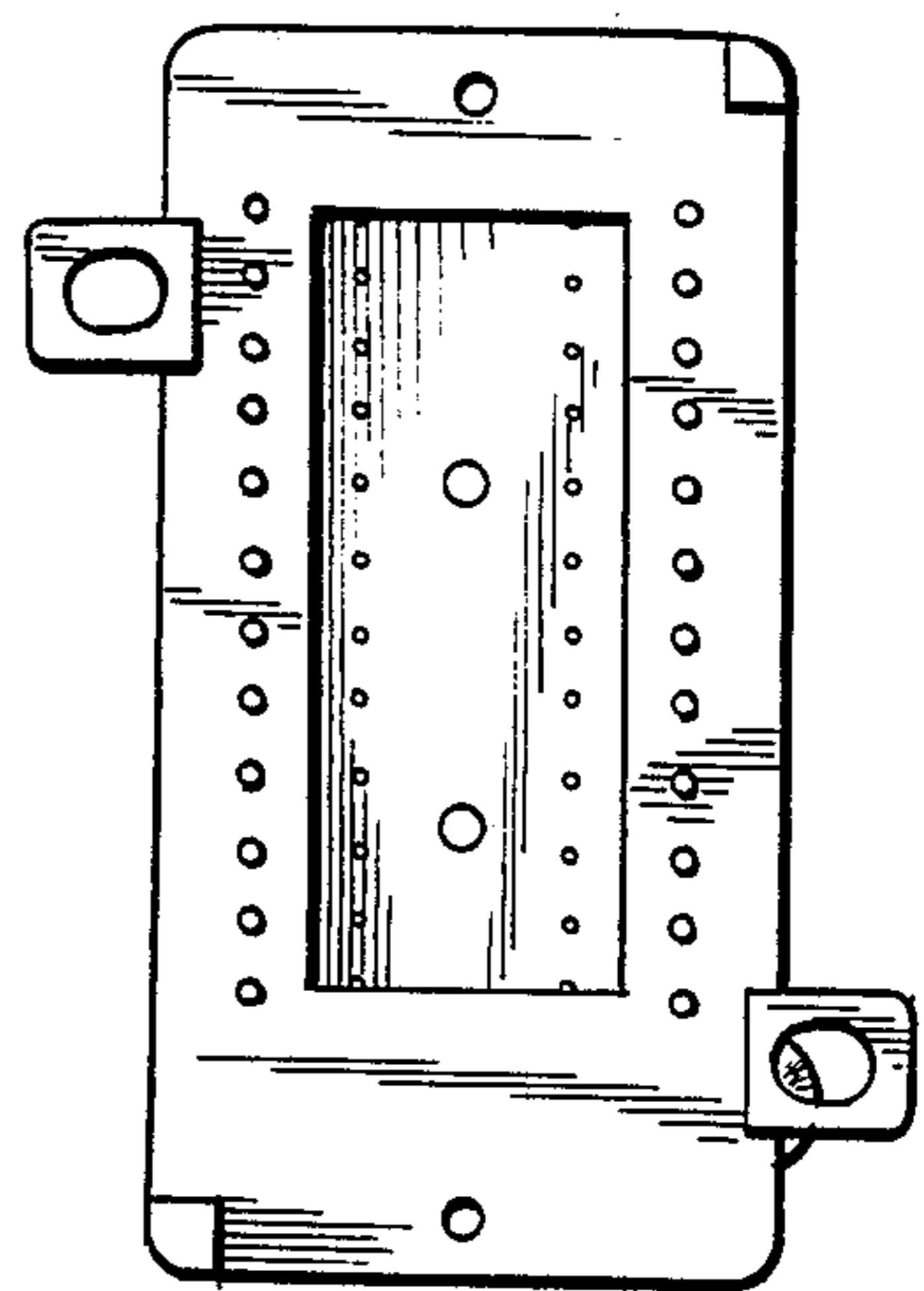


FIG. 8