

United States Patent [19]

Cousens

[11] Patent Number: Des. 300,620

[45] Date of Patent: ** Apr. 11, 1989

[54] WHEELCHAIR LOCKING UNIT FOR USE IN A VEHICLE

[75] Inventor: Leslie D. Cousens, Victoria, Australia

[73] Assignee: Spastic Society of Victoria Limited, St. Kilda, Australia

[**] Term: 14 Years

[21] Appl. No.: 847,930

[22] Filed: Apr. 1, 1986

[52] U.S. Cl. D12/133; D6/502

[58] Field of Search D12/128, 133; 296/65 R, 296/19; 410/7, 23; 280/289 WC; D6/360, 361, 502

[56] **References Cited**

U.S. PATENT DOCUMENTS

4,265,478 5/1981 Korsgaard 296/65 R

4,457,551 7/1984 Anthony 296/65 R
4,671,713 6/1987 Lenkman D12/133
4,685,716 8/1987 Kondo 296/65 R
4,690,364 9/1987 Constantin D12/133

Primary Examiner—James M. Gandy

Assistant Examiner—Kay H. Chin

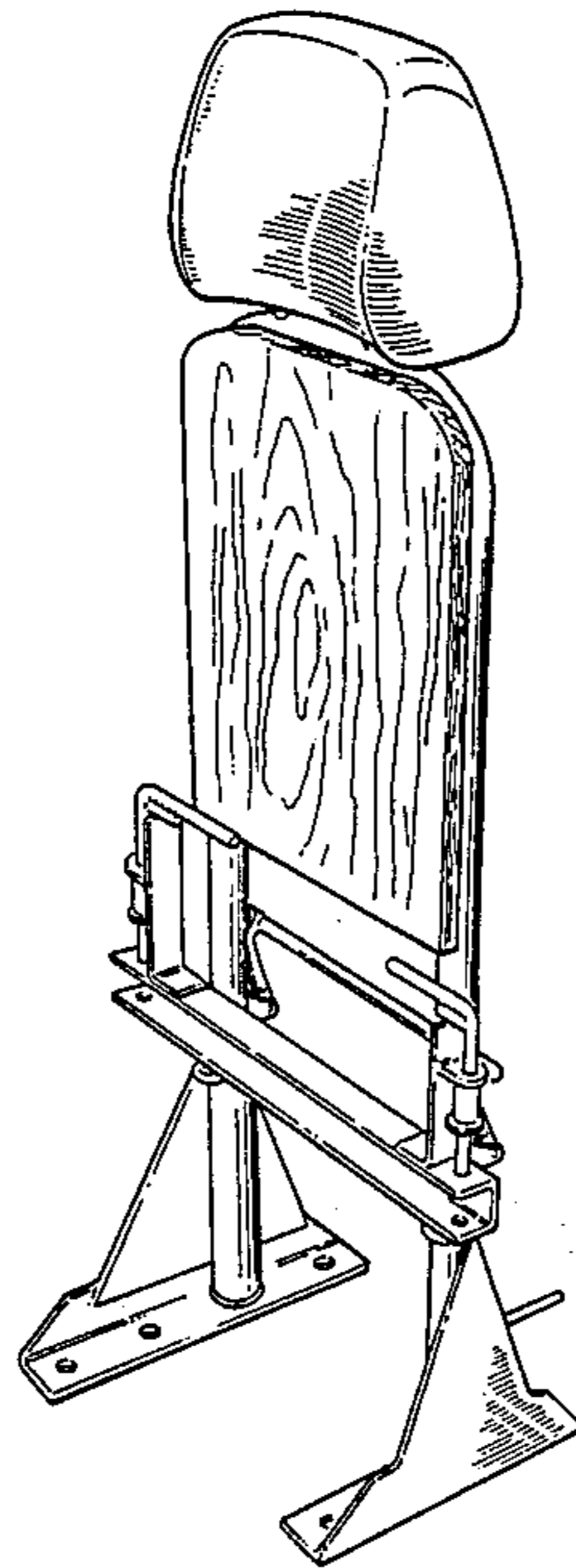
Attorney, Agent, or Firm—Fleit, Jacobson, Cohn & Price

[57] **CLAIM**

The ornamental design for a wheelchair locking unit for use in a vehicle, as shown and described.

DESCRIPTION

FIG. 1 is a front perspective view of a wheelchair locking unit for use in a vehicle showing my new design; FIG. 2 is a rear perspective view thereof; FIG. 3 is a front elevational view thereof; FIG. 4 is a rear elevational view thereof; FIG. 5 is a right side elevational view thereof; and FIG. 6 is a left side elevational view thereof.



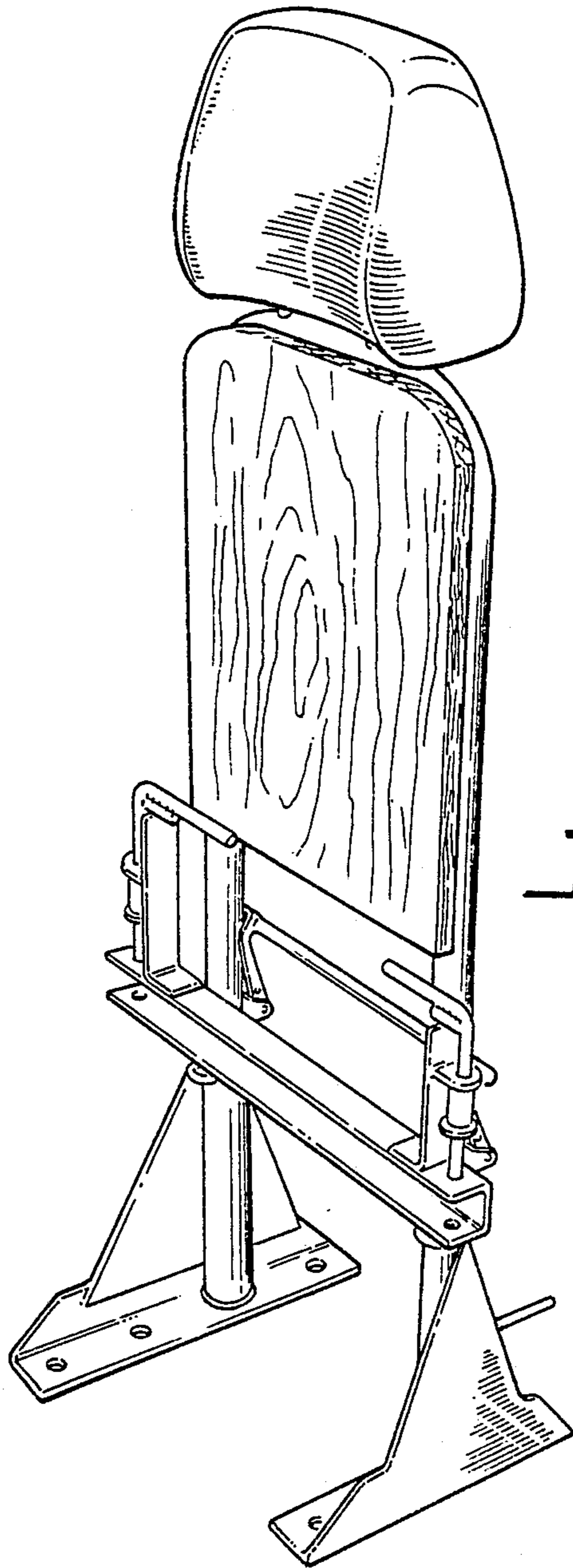


FIG. 1.

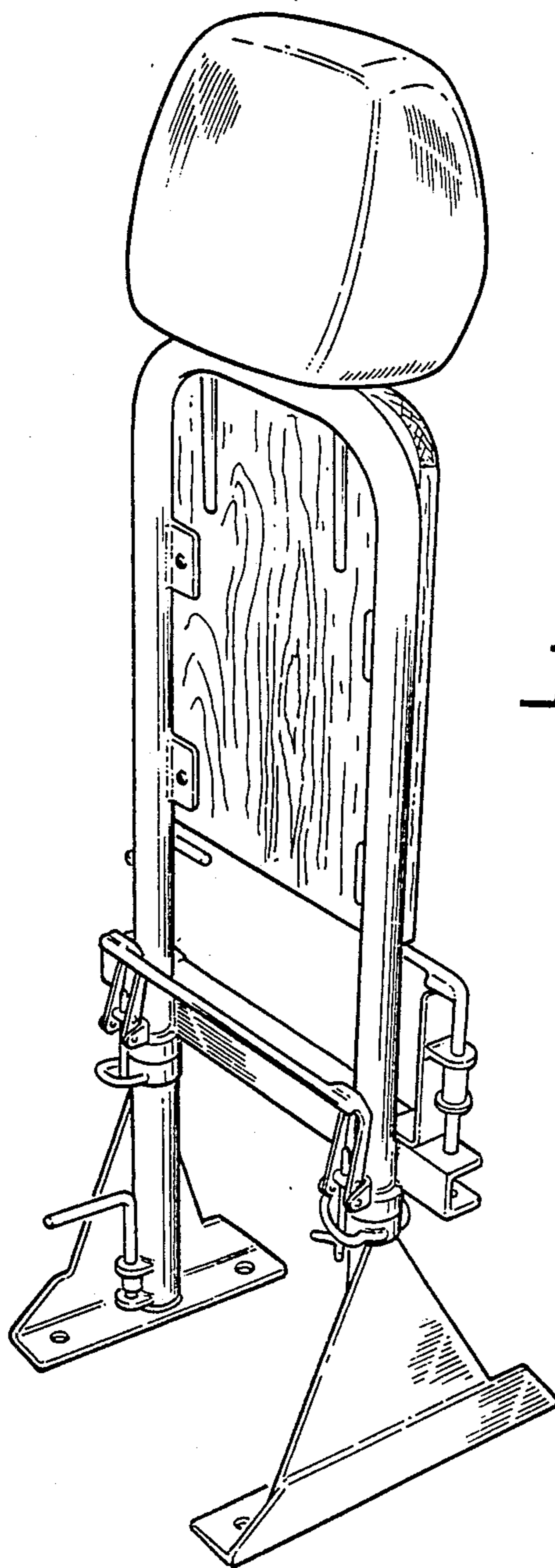


FIG. 2.

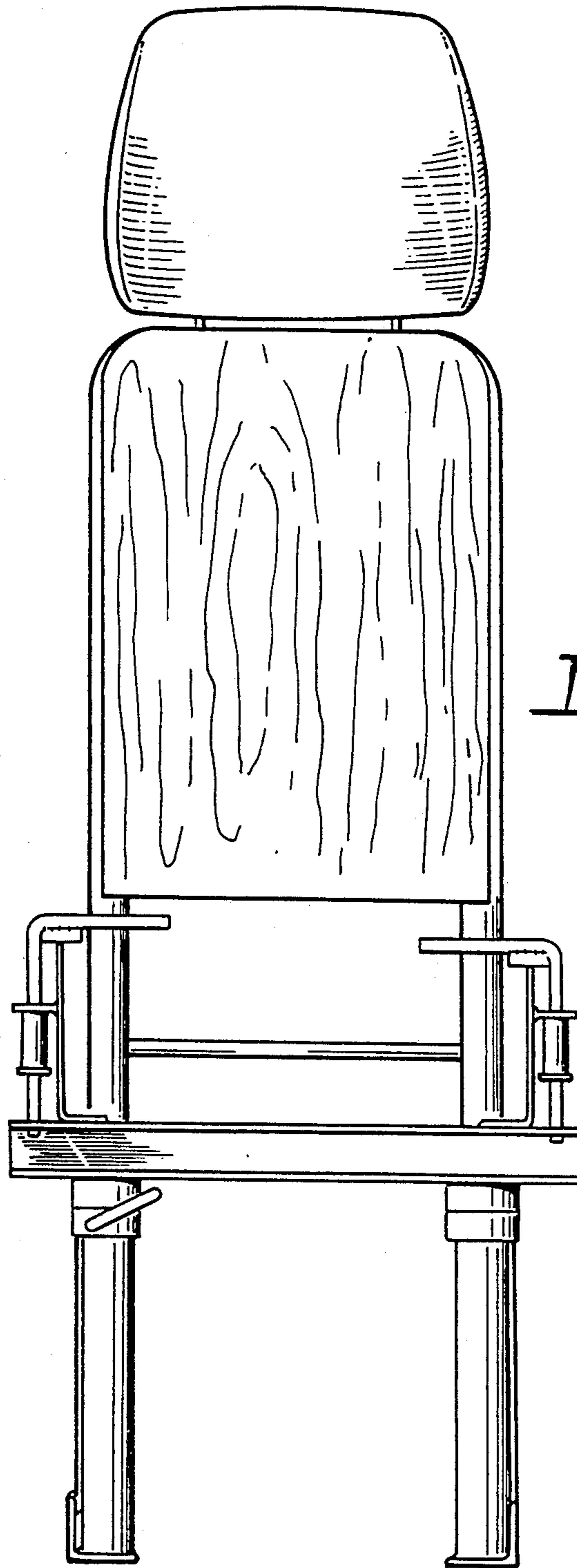


FIG. 3.

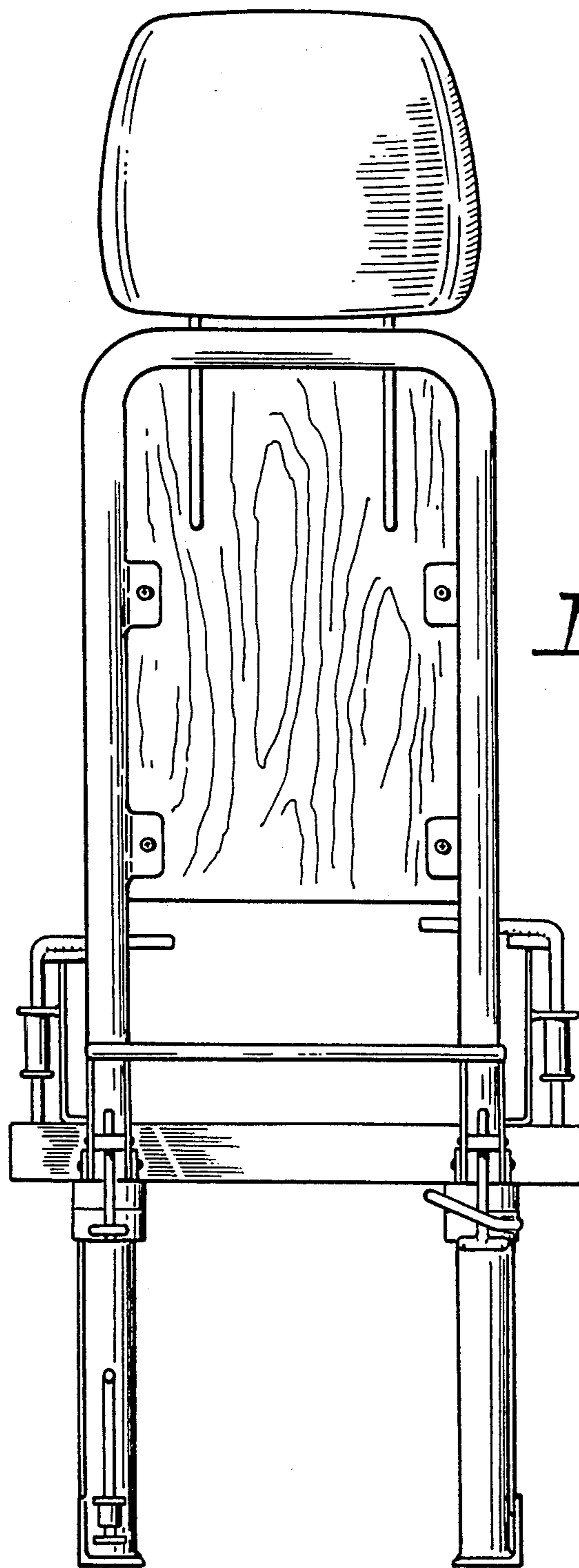


FIG. 4

