

[54] STRAIN RELIEF BUSHING FOR AN ELECTRIC CABLE

4,568,047 2/1986 Matsui ..... 248/56  
4,729,534 3/1988 Hill et al. .... 174/153 G

[75] Inventors: Royce W. Hill, Flippin; Danny M. Nelson, Mountain Home, both of Ark.

[73] Assignee: Micro Plastics, Inc., Flippin, Ark.

[\*\*] Term: 14 Years

[21] Appl. No.: 877,668

[22] Filed: Jun. 23, 1986

[52] U.S. Cl. .... D8/356; D8/396; D13/28

[58] Field of Search ..... D13/11, 12, 18-31, D13/40; D8/356, 396, 397; 439/445, 465; 174/153 R, 153 G, 65 G; 248/56

[56] References Cited

U.S. PATENT DOCUMENTS

D. 210,021	1/1968	Prifogle et al. ....	D26/1
2,225,472	12/1946	Franklin .....	174/65 G
2,424,758	7/1947	Klumpp .....	174/153
2,895,003	7/1959	Rapata .....	174/153 G
2,930,840	3/1960	Klumpp .....	174/153
2,974,186	3/1961	Klumpp .....	174/153
3,123,662	3/1964	Fink .....	174/65
3,290,430	12/1966	Klumpp et al. ....	174/153
3,866,870	2/1975	Nicholson et al. ....	248/56
3,953,665	4/1976	Nicholson .....	174/153 G
4,289,923	9/1981	Ebert .....	174/153 G

OTHER PUBLICATIONS

Disclosure of Stain Relief Cord Connectors-Cover Photo TH6: "Introducing Hubbell Juniors", date of publ.: 1-86.

Primary Examiner—Bruce W. Dunkins  
Assistant Examiner—Clare E. Heflin  
Attorney, Agent, or Firm—Stephen D. Carver

[57] CLAIM

The ornamental design for a strain relief bushing, for an electric cable as shown and described.

DESCRIPTION

FIG. 1 is a front perspective view of the strain relief bushing for an electric cable showing our new design; FIG. 2 is a rear perspective view thereof; FIG. 3 is a front elevational view thereof; FIG. 4 is a rear elevational view thereof; FIG. 5 is a top plan view thereof; FIG. 6 is a bottom plan view thereof; FIG. 7 is a right side elevational view thereof; FIG. 8 is a left side elevational view thereof; and, FIG. 9 is a perspective view thereof showing the bushing in the closed position.

The broken line showing of the electric cable and panel of FIG. 9 is for illustrative purposes only and forms no part of the claimed design.

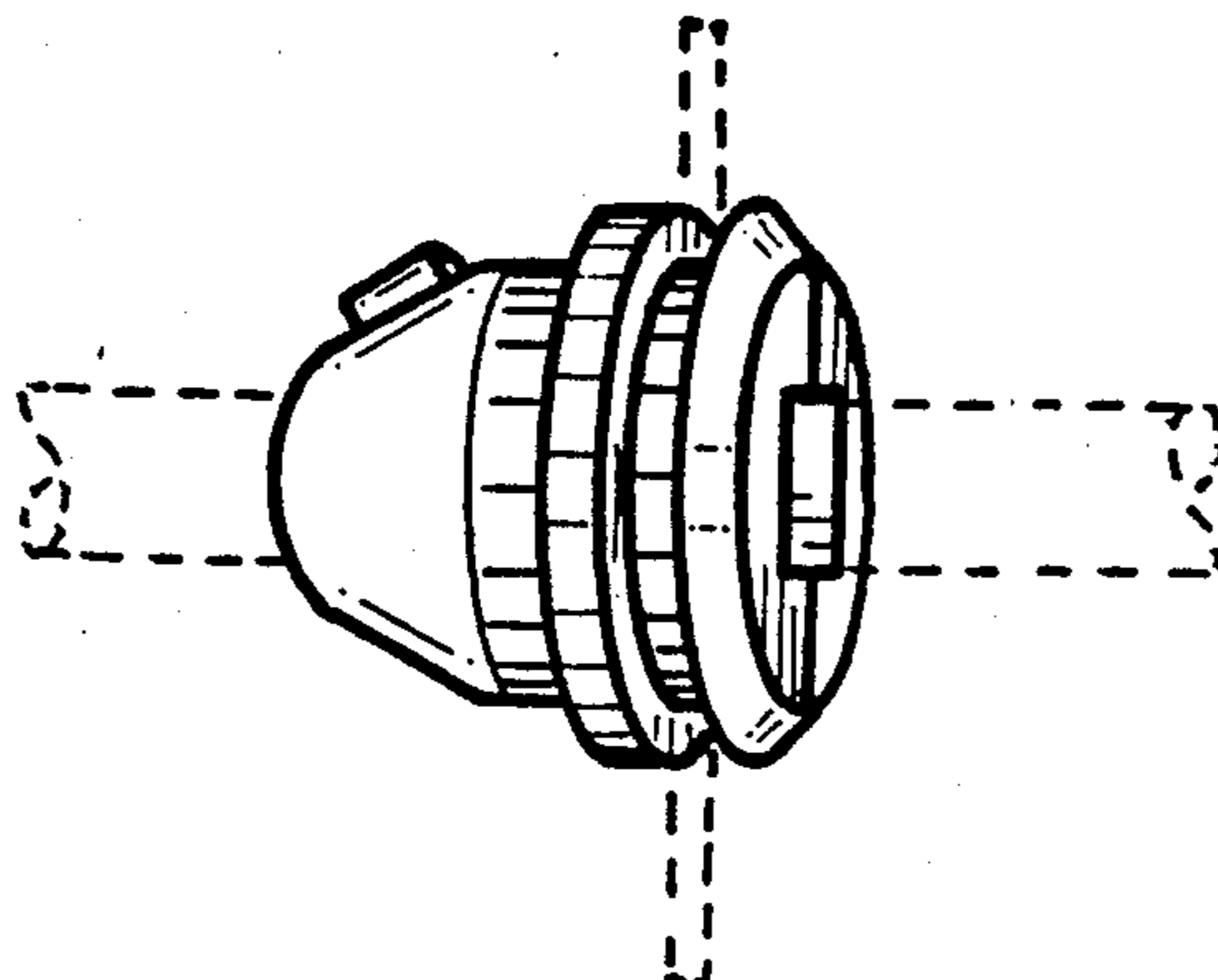
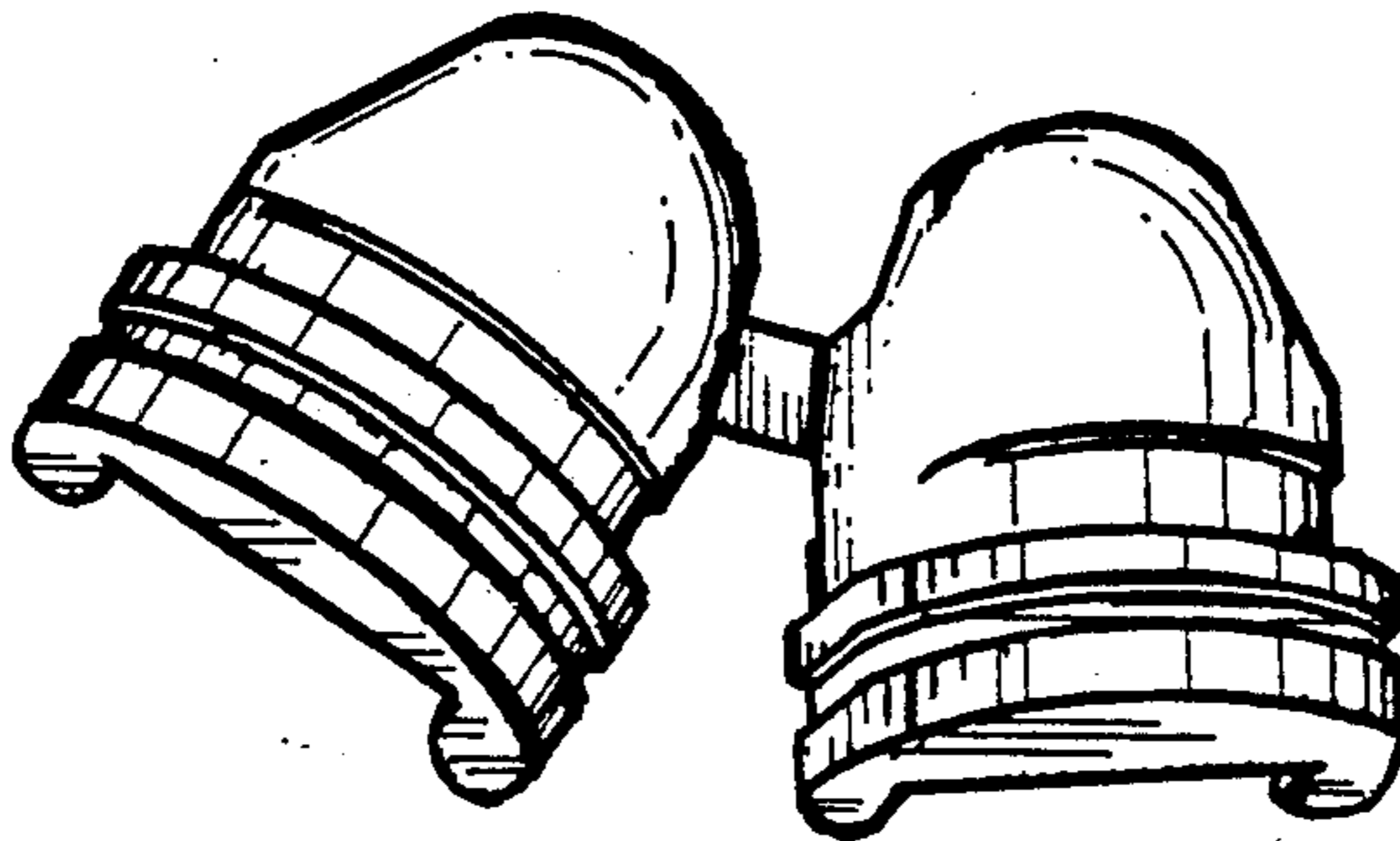


FIG. 1

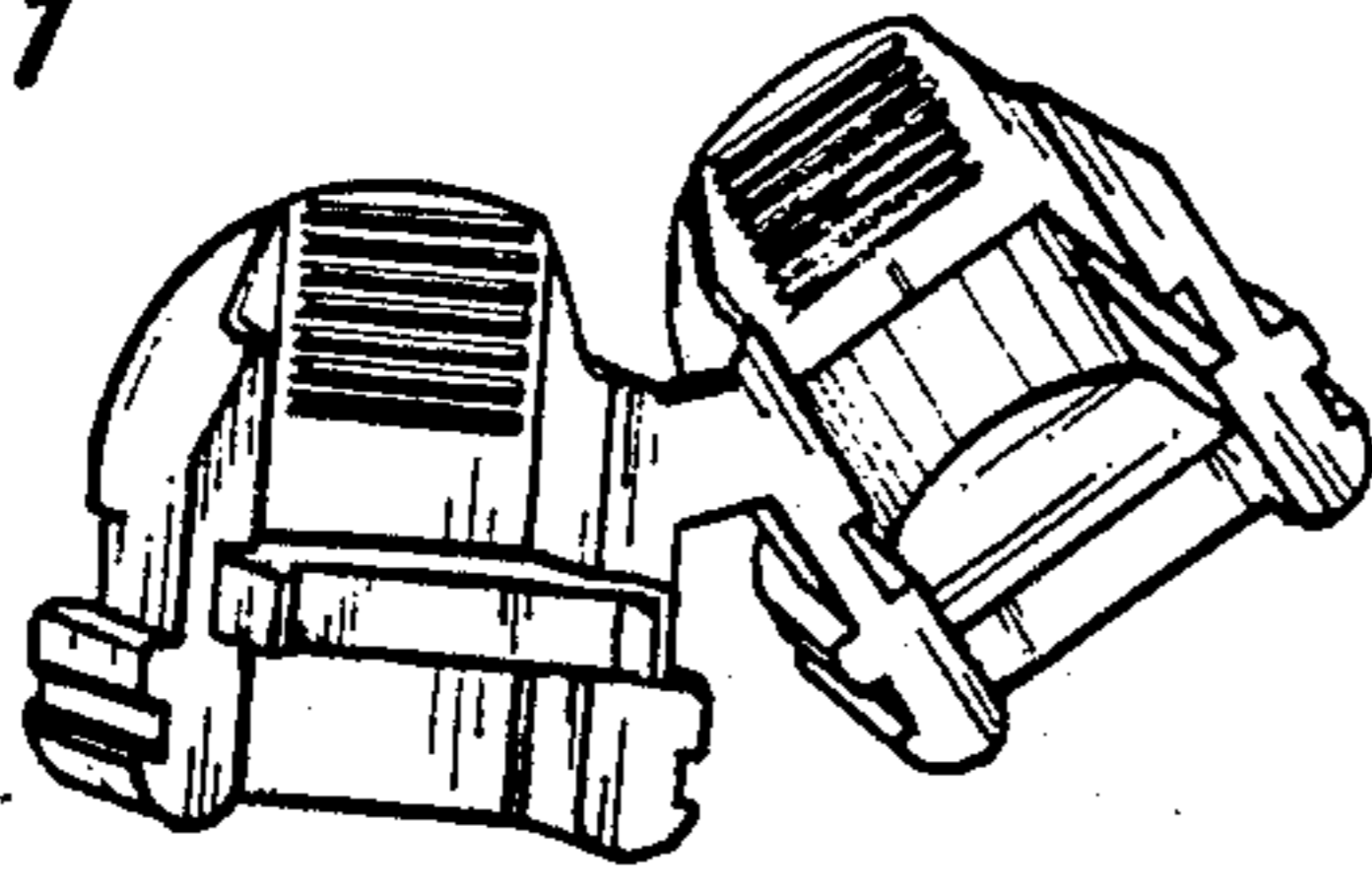


FIG. 2

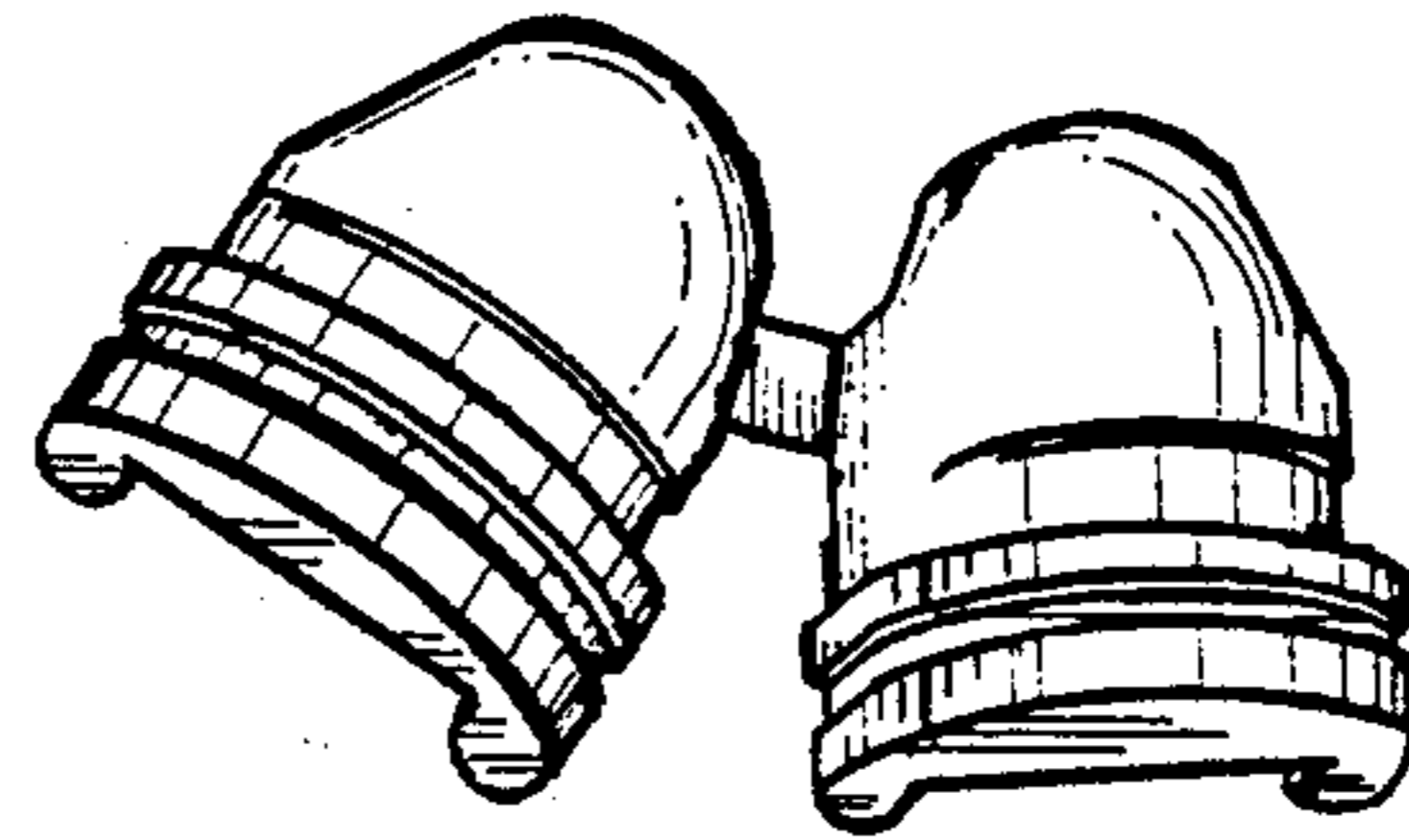


FIG. 3

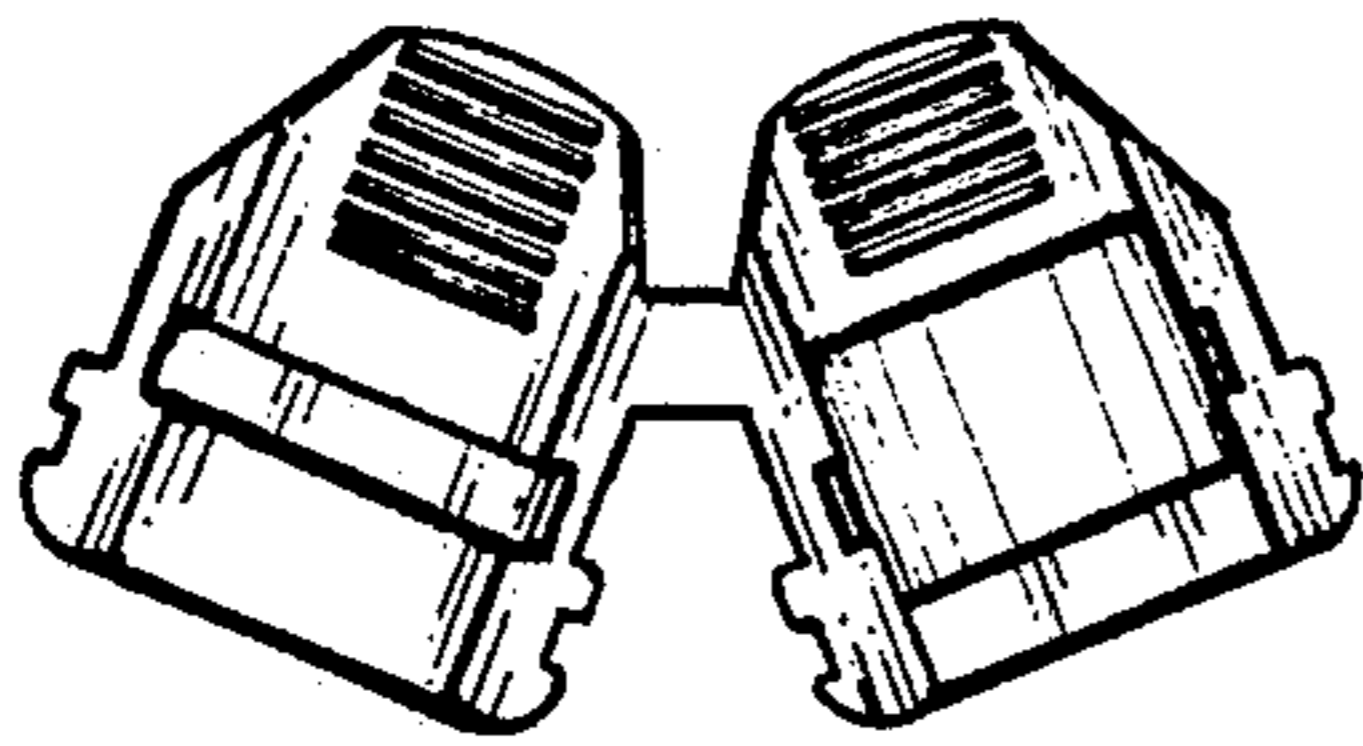


FIG. 4

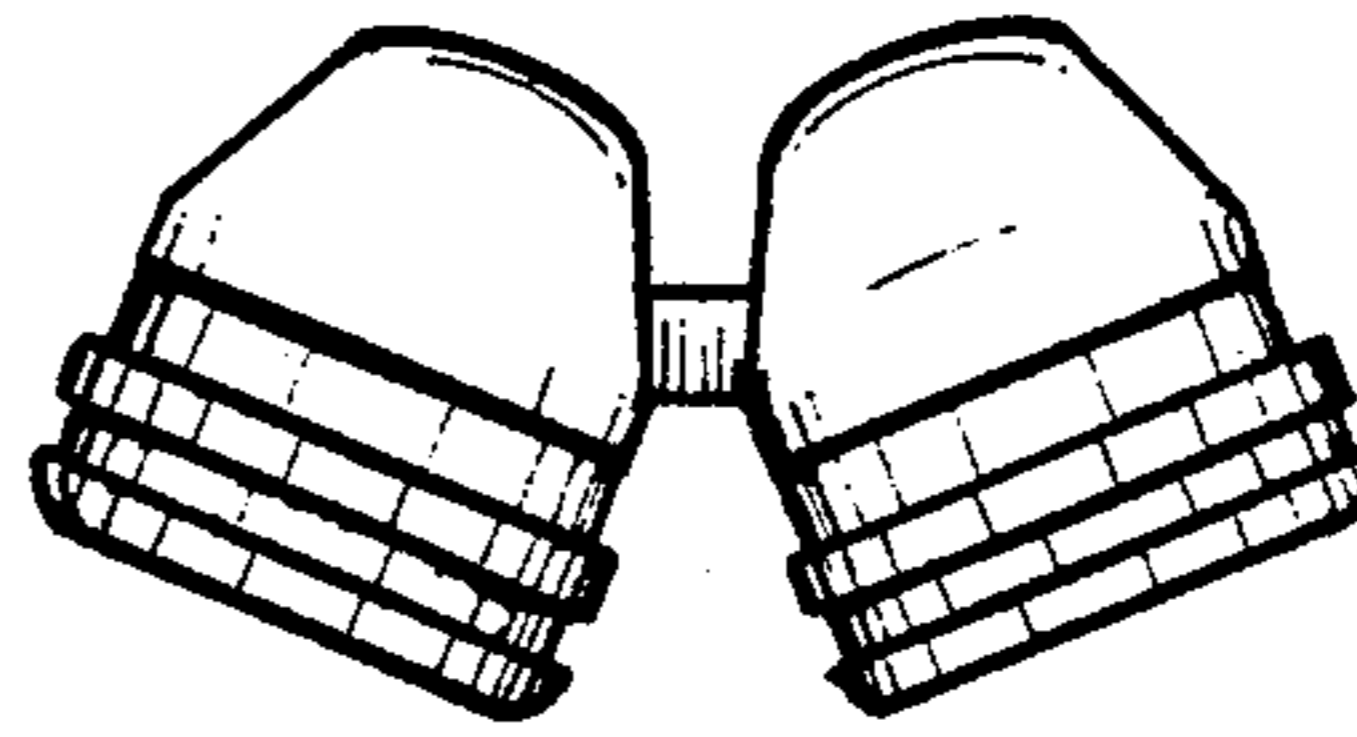


FIG. 5

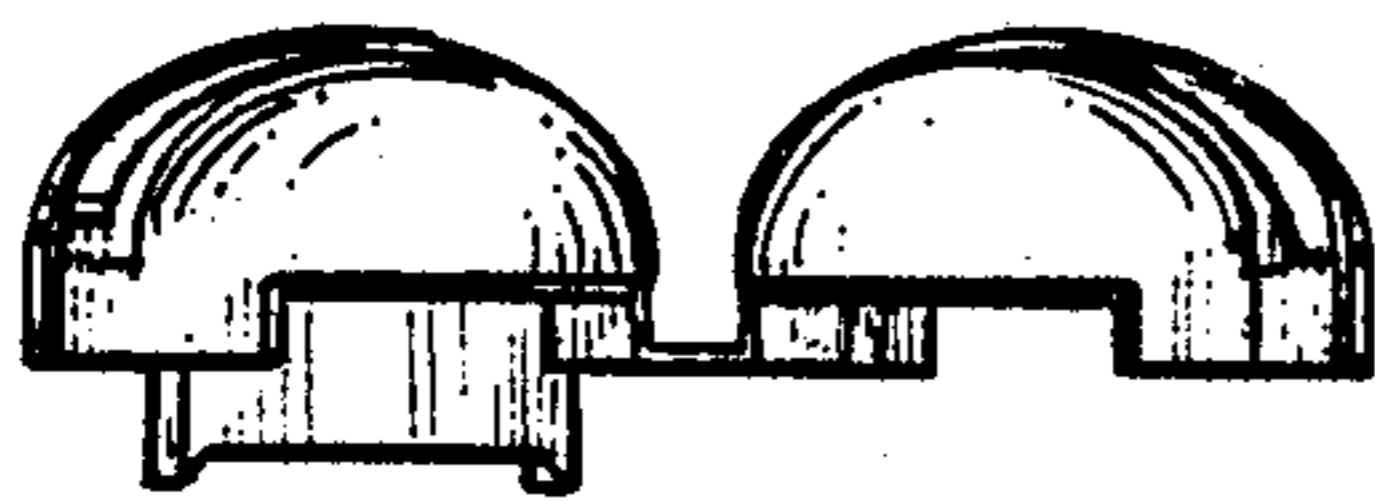


FIG. 6



FIG. 7

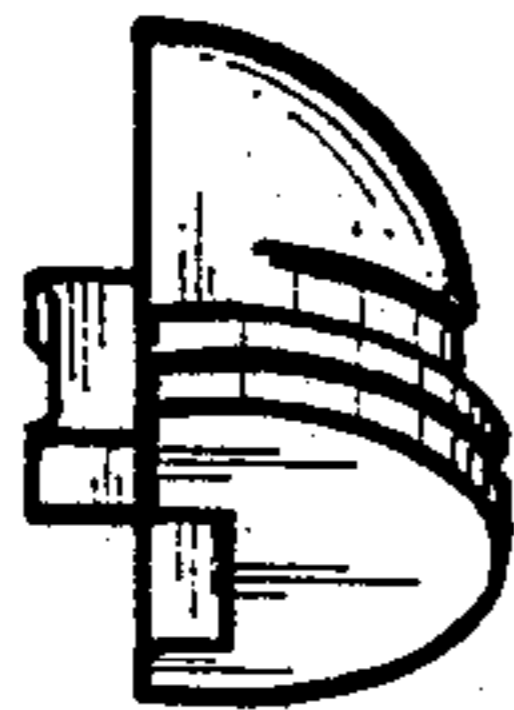


FIG. 8



FIG. 9

